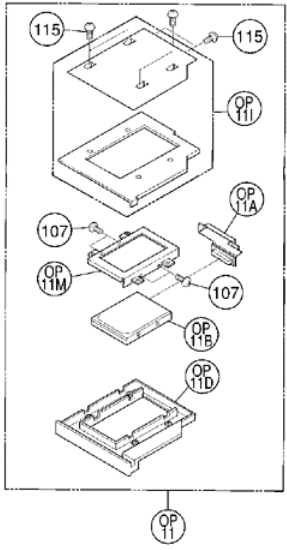
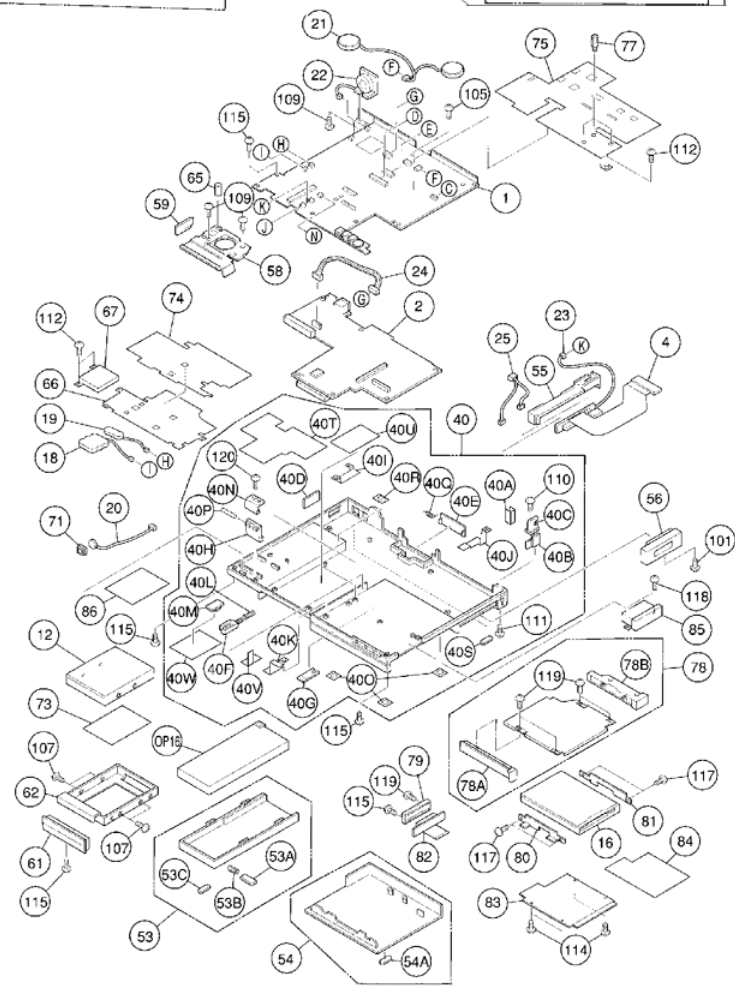
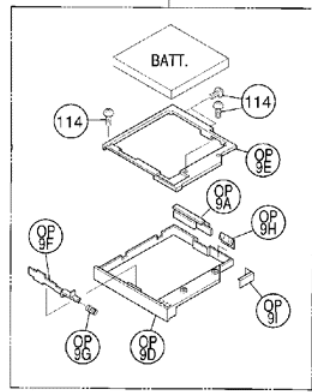
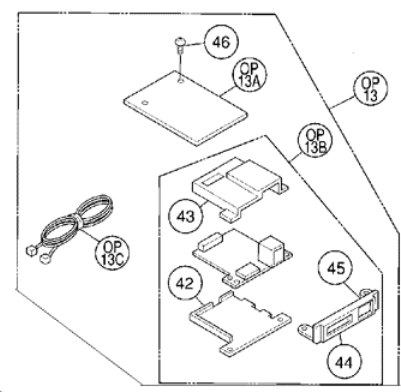
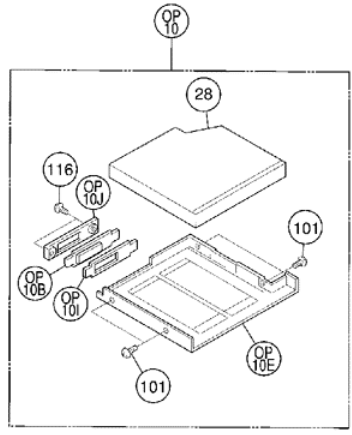
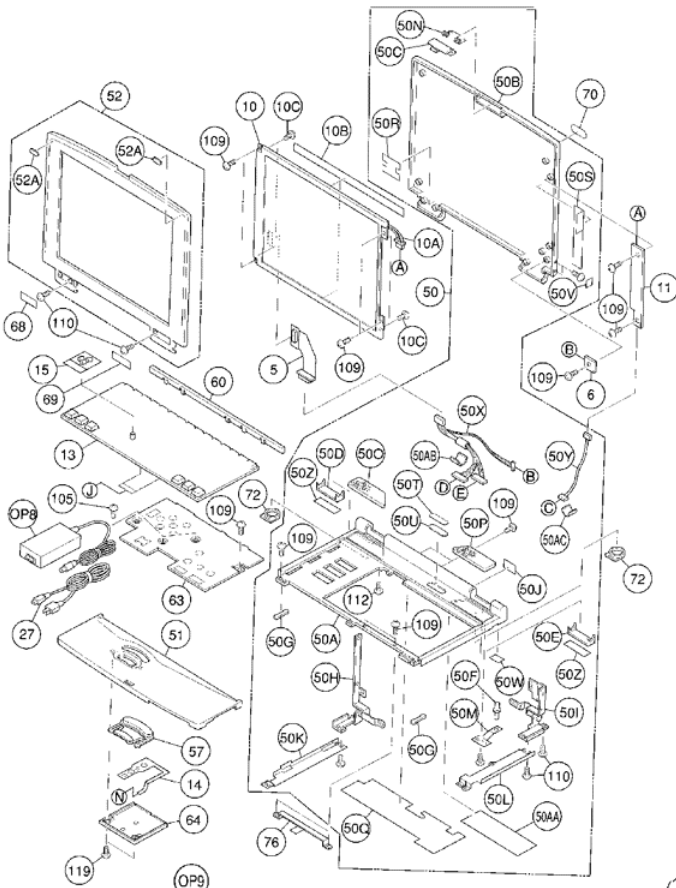


**TOSHIBA**

**Satellite®**

**220CDS - PA1240U**

Parts Information



Nº	Toshiba PN	Description
1	P000230000	PCB FVNSS2
1-1	P000235200	PCB FVNSS2
2	P000229810	PCB FVNPS2
4	P000230100	PCB FVNBF2
5	P000230110	PCB FVNLS2
6	P000201660	PCB FHVVR1
10	P000231660	COLOR LCD MODULE
10A	P000234820	FL TUBE
10B	P000234830	PET TAPE
10C	P000234840	SCREW
11	P000220160	FL INVERTER
12	P000229560	HDD UNIT(1.4GB)
1-12	P000238000	HDD UNIT(1.4GB)
1-13	P001026	HDD UNIT(4.3GB)
1-14	P001224	HDD UNIT(6GB)
1-15	P001424	HDD UNIT(10GB)
1-16	P001624	HDD UNIT(20GB)
1-17	P001824	HDD UNIT(30GB)
13	P000230810	KEYBOARD UNIT
13-A	UE0283P05KB-SP	KEYBOARD UNIT, SPANISH
14	P000231700	MEMBRANE SWITCH
15	P000231710	STICK CAP SET
16	P000231670	FDD 3.5 INCH
16-1	P000236210	FDD 3.5 INCH
OP16	PA2487UR	MAIN BATTERY PACK
OP16-1	PA2487URN	MAIN BATTERY (3600mAh)
OP16-2	PA2487URG	MAIN BATTERY (4000mAh)
18	P000231720	NI-MH BATTERY
18-1	P000278990	NI-MH BATTERY
19	P000205900	NI-MH BATTERY
20	P000231730	MICROPHONE
21	P000231740	SPEAKER
22	P000230880	30-10 DC FAN
23	P000231750	HARNESS
24	P000231760	HARNESS
25	P000231770	HARNESS
OP8	PA2450U	UNIVERSAL AC ADAPTER, 45W
27	P000182200	AC CORD SET
28	P000234950	CD-ROM DRIVE
40	P000231680	BASE ASSEMBLY
40	P000241410	BASE ASSEMBLY
40-1	P000235050	BASE ASSEMBLY
40-1	P000241420	BASE ASSEMBLY
40A	P000232220	KEY LOCK HOLDER
40A-1	P000235190	KEY LOCK HOLDER
40B	P000232230	KEY LOCK KNOB
40B-1	P000235830	KEY LOCK KNOB
40C	P000232240	KEY LOCK PLATE
40C-1	P000235840	KEY LOCK PLATE
40D	P000232250	EXTERNAL FDD COVER
40D-1	P000235210	EXTERNAL FDD COVER
40E	P000232260	EXPANSION PORT COVER
40E-1	P000235220	EXPANSION PORT COVER
40F	P000232270	MULTIBOX PACK LATCH
40F-1	P000235230	MULTIBOX PACK LATCH
40F-2	P000253670	MULTIBOX PACK LATCH
40G	P000232280	MULTIBOX PACK KNOB
40G-1	P000235240	MULTIBOX PACK KNOB
40H	P000232290	BATTERY LOCK
40H-1	P000235250	BATTERY LOCK
40I	P000232300	SPRING P/R EARTH, LEFT
40I-1	P000235260	SPRING P/R EARTH, LEFT
40J	P000232310	SPRING P/R EARTH, RIGHT
40J-1	P000235270	SPRING P/R EARTH, RIGHT
40K	P000232320	SPRING P/R EARTH, FRONT
40K-1	P000235280	SPRING P/R EARTH, FRONT
40L	P000232330	SPRING MULTIBOX LOCK
40L-1	P000235290	SPRING MULTIBOX LOCK
40M	P000232340	SPRING BATTERY POP UP
40M-1	P000235300	SPRING BATTERY POP UP
40N	P000232350	SPRING BATTERY LOCK
40N-1	P000235310	SPRING BATTERY LOCK
40O	P000232360	SAFETY CONTACT SPRING
40P	P000232370	BATTERY LOCK SHAFT
40P-1	P000235320	BATTERY LOCK SHAFT

40Q	P000232380	SPRING EXPANSION COVER
40Q-1	P000235330	SPRING EXPANSION COVER
40R	P000206270	BATTERY SAFETY SPRING
40R-1	P000241400	BATTERY SAFETY SPRING
40R-2	P000279030	BATTERY SAFETY SPRING
40S	P000198350	BOTTOM CUSHION
40T	P000232390	INSULATOR, BASE
40T-1	P000235340	INSULATOR, BASE
40U	P000232400	INSULATOR, HDD BOTTOM
40U-1	P000235350	INSULATOR, HDD BOTTOM
40V	P000232410	INSULATOR, P/R SPG. FRONT
40W	P000232420	INSULATOR, BLIND SPRING
40W-1	P000235360	INSULATOR, BLIND SPRING
50	P000231690	COVER ASSEMBLY
50-1	P000235060	COVER ASSEMBLY
50A	P000232440	COVER
50A-1	P000235140	COVER
50B	P000232450	LCD COVER
50B-1	P000235110	LCD COVER
50C	P000232460	LCD LATCH
50C-1	P000235370	LCD LATCH
50D	P000232470	HINGE COVER, LEFT
50D-1	P000235380	HINGE COVER, LEFT
50E	P000232480	HINGE COVER, RIGHT
5.00E+00	P000235390	HINGE COVER, RIGHT
50F	P000232490	LCD SENSOR STICK
50F-1	P000235400	LCD SENSOR STICK
50G	P000232500	PALM REST SHAFT
50H	P000232510	BRAKE HINGE, LEFT
50H-1	P000235410	BRAKE HINGE, LEFT
50I	P000232520	BRAKE HINGE, RIGHT
50I-1	P000235420	BRAKE HINGE, RIGHT
50J	P000232530	FIR COVER
50J-1	P000235430	FIR COVER
50K	P000232540	KB SUPPORT, LEFT ASSEMBLY
50K-1	P000235440	KB SUPPORT, LEFT ASSEMBLY
50L	P000232550	KB SUPPORT, RIGHT, ASSY
50L-1	P000235450	KB SUPPORT, RIGHT, ASSY
50M	P000232560	SPRING, LCD SENSOR
50M-1	P000235460	SPRING, LCD SENSOR
50N	P000232570	SPRING, LCD LATCH
50O	P000232580	SPEAKER NET, LEFT
50O-1	P000235470	SPEAKER NET, LEFT
50P	P000232590	SPEAKER NET, RIGHT
50P-1	P000235480	SPEAKER NET, RIGHT
50Q	P000232600	INSULATOR, USB PCB
50Q-1	P000235490	INSULATOR, USB PCB
50R	P000232610	INSULATOR, LCD HARNESS
50S	P000232620	INSULATOR, LCD COVER
50S-1	P000235500	INSULATOR, LCD COVER
50T	P000232630	SEAL COVER ICON
50T-1	P000235670	SEAL COVER ICON
50U	P000232640	DISPERSIVE FILM
50U-1	P000235680	DISPERSIVE FILM
50V	P000232650	SEAL SCREW MASK
50V-1	P000235510	SEAL SCREW MASK
50W	P000232660	INSULATOR, RESET SWITCH
50W-1	P000235520	INSULATOR, RESET SWITCH
50X	P000232670	LCD HARNESS
50Y	P000232680	LCD HARNESS
N/S	P000247080	EMI GASKET
50Z	P000233220	INSULATOR, SUPPORT
50Z-1	P000235530	INSULATOR, SUPPORT
50AA	P000233230	INSULATOR, COVER
50AA-1	P000235540	INSULATOR, COVER
50AB	P000233240	EMI GASKET
50AC	P000233250	EMI GASKET
51	P000231780	PALM REST COVER ASSEMBLY
51-1	P000235150	PALM REST COVER ASSEMBLY
52	P000231790	LCD MASK ASSEMBLY
52-1	P000235160	LCD MASK ASSEMBLY
52A	P000232690	LCD CUSHION
52A-1	P000235820	LCD CUSHION
53	P000231800	BATTERY COVER ASSEMBLY
53- -1	P000244570	BATTERY COVER ASSEMBLY
53-1	P000235170	BATTERY COVER ASSEMBLY

N/S	P000244580	INSULATOR, BATTERY COVER
53-1-1	P000244590	BATTERY COVER ASSEMBLY
53A	P000232700	BATTERY COVER LOCK
53A-1	P000235750	BATTERY COVER LOCK
53B	P000232710	SPRING, BATTERY COVER
53B-1	P000235760	SPRING, BATTERY COVER
53C	P000198350	BOTTOM CUSHION
54	P000231810	MULTIBOX COVER, LEFT ASSY
54-1	P000235180	MULTIBOX COVER, LEFT ASSY
54A	P000198350	BOTTOM CUSHION
55	P000232720	MULTIBOX, CONNECTOR COVER
55-1	P000235690	MULTIBOX, CONNECTOR COVER
56	P000231830	PCMCIA COVER ASSEMBLY
56-1	P000235910	PCMCIA COVER ASSEMBLY
56a	P000234990	PCMCIA COVER
56a-1	P000235640	PCMCIA COVER
57	P000231850	IPS SWITCH BUTTON
57-1	P000235550	IPS SWITCH BUTTON
58	P000231860	COMPOSITE HOLDER
58-1	P000235560	COMPOSITE HOLDER
59	P000231870	SWITCH COVER
59-1	P000235570	SWITCH COVER
60	P000231880	KEYBOARD HOLDER
60-1	P000235580	KEYBOARD HOLDER
61	P000231890	HDD COVER ASSEMBLY
61-1	P000235590	HDD COVER ASSEMBLY
62	P000231900	HDD BRACKET
62-1	P000235600	HDD BRACKET
63	P000231910	KB SUPPORT ASSEMBLY
63- -1	P000236440	KB SUPPORT ASSEMBLY
63-1	P000235610	KB SUPPORT ASSEMBLY
63-1-1	P000237920	KB SUPPORT ASSEMBLY
N/S	P000237890	SPRING EARTH
64	P000231920	IPS SWITCH BASE ASSEMBLY
64-1	P000235620	IPS SWITCH BASE ASSEMBLY
65	P000231930	SPACER PIPE
66	P000231940	HDD TOP SHIELD ASSEMBLY
66-1	P000235630	HDD TOP SHIELD ASSEMBLY
67	P000231950	SUB BATTERY HOLDER
68	P000231960	SEAL LCD MASK
69	P000234970	PLATE NAME SEAL(M)
69-1	NP220CDS	PLATE NAME SEAL(M)
69-A-1	NP225CDS	PLATE NAME SEAL(M)
70	P000234980	PLATE NAME SEAL(C)
70-1	-	PLATE NAME SEAL(C)
71	P000231990	MIC HOLDER
72	P000232000	SPEAKER CUSHION
73	P000236090	INSULATOR, HDD BRACKET
73- -1	P000243510	INSULATOR, HDD BRACKET
73-1	P000236100	INSULATOR, HDD BRACKET
73-1-1	P000243990	INSULATOR, HDD BRACKET
74	P000232020	INSULATOR, PCB MIDDLE
74-1	P000235650	INSULATOR, PCB MIDDLE
75	P000232730	SYSTEM SHIELD ASSEMBLY
76	P000235040	SYSTEM COVER ASSEMBLY
77	P000232040	STUD
78	P000232740	FDD PACK COVER ASSEMBLY
78-1	P000235730	FDD PACK COVER ASSEMBLY
78A	P000232750	FDD PACK COVER, LEFT
78A-1	P000235770	FDD PACK COVER, LEFT
78B	P000232760	FDD PACK COVER, RIGHT
78B-1	P000235780	FDD PACK COVER, RIGHT
79	P000232770	FDD PACK CONNECTOR COVER
80	P000232780	FDD PACK BRACKET, LEFT
80-1	P000235800	FDD PACK BRACKET, LEFT
80-A	P000236240	FDD PACK BRACKET, LEFT
80-A-1	P000236250	FDD PACK BRACKET, LEFT
81	P000232790	FDD PACK BRACKET, RIGHT
81-1	P000235790	FDD PACK BRACKET, RIGHT
81-A	P000236260	FDD PACK BRACKET, RIGHT
81-A-1	P000236270	FDD PACK BRACKET, RIGHT
82	P000230130	PCB FSBFT2
82-1	P000241550	PCB FSBFD1
82-A-1	P000238050	PCB FSBFT3

83	P000232800	FDD PACK BASE ASSEMBLY
83-1	P000235740	FDD PACK BASE ASSEMBLY
84	P000232810	INSULATOR FDD PACK, TEAC
84-1	P000235810	INSULATOR FDD PACK, TEAC
85	P000232820	DAA DUMMY
101	P000215140	SCREW M2X3C
102	P000169570	SCREW M2X6
103	P000172170	SCREW M2.5X4
104	P000161030	SCREW M2.5X6
105	P000209910	SCREW M2.5X20
106	P000171030	SCREW M2.5X4
107	P000163450	SCREW M3X4
108	P000160830	SCREW M2.5X4
109	P000231650	SCREW M2.5X7C
109-1	P000239090	SCREW M2.5X7C
110	P000211490	SCREW M2.5X6Z
111	P000192190	SCREW M2.5X30
112	P000209920	SCREW M2.5X4Z
113	P000211510	SCREW M2.5X8Z
114	P000229510	SCREW M2X4L
115	P000229520	SCREW M2X6L
116	P000229530	SCREW M2X8L
117	P000191120	SCREW M2.5X2.8
117-1	P000215140	SCREW M2X3C
118	P000229520	SCREW M2X6L
119	P000229510	SCREW M2X4C
<b>OPCION</b>		
OP	KTT650/8	KINGSTON 8MB Memory Module
OP	KTT650/16	KINGSTON 16MB Memory Module
OP	KTT500/32	KINGSTON 32MB Memory Module
OP	KTT500/48	KINGSTON 48MB Memory Module
OP	KTT500/128	KINGSTON 128MB Memory Module
OP8	PA2450U	UNIVERSAL AC ADAPTER, 45W
OP9	PA2451UR	SECONDARY BATTERY PACK
OP9A	P000233290	PCB FSBBF1
OP9D	P000233310	2ND BATTERY BASE
OP9D-1	P000243980	2ND BATTERY BASE
OP9E	P000233320	2ND BATTERY COVER
OP9E-1	P000243970	2ND BATTERY COVER
OP9F	P000233330	2ND BATTERY LOCK
OP9F-1	P000243960	2ND BATTERY LOCK
OP9G	P000227570	COM SPRING
OP9H	P000233340	SPRING, 2ND BATTERY EARTH
OP9H-1	P000244360	SPRING, 2ND BATTERY EARTH
OP9H-2	P000244370	SPRING, 2ND BATTERY EARTH
OP9I	P000233350	BATTERY, EARTH SUPPORT
OP9I-1	P000244420	BATTERY, EARTH SUPPORT
OP10	PA2610U	10X CD-ROM DRIVE KIT
28	P000234950	CD-ROM DRIVE
OP10B	P000230120	PCB FSBCF2
OP10E	P000233360	CD-ROM PACK BASE ASSEMBLY
OP10E-1	P000235700	CD-ROM PACK BASE ASSEMBLY
OP10I	P000233370	CD-ROM PACK CONN. SPACER
OP10I-1	P000235710	CD-ROM PACK CONN. SPACER
OP10J	P000233380	CD-ROM PACK COVER
OP10J-1	P000235720	CD-ROM PACK COVER
OP11	PA2609U	2.0GB SECONDARY HDD KIT
OP11A	P000233300	PCB FSBHF1
OP11B	P000225210	HDD UNIT (2.1GB)
OP11D	P000233390	2ND HDD BASE ASSEMBLY
OP11I	P000233400	2ND HDD COVER ASSEMBLY
OP11M	P000233410	2ND HDD BRACKET
OP12	PA2611U	FDD ATTACHMENT CASE
OP13	PA2827U	MODEM KIT (CARD)
OP13A	P000232840	PCB FVNMD1
OP13B	P000234870	PCB FVNDA3
OP13C	P000220300	MODULAR CABLE
OP16	PA2487UR	MAIN BATTERY PACK
OP16-1	PA2487URN	MAIN BATTERY (3600mAh)