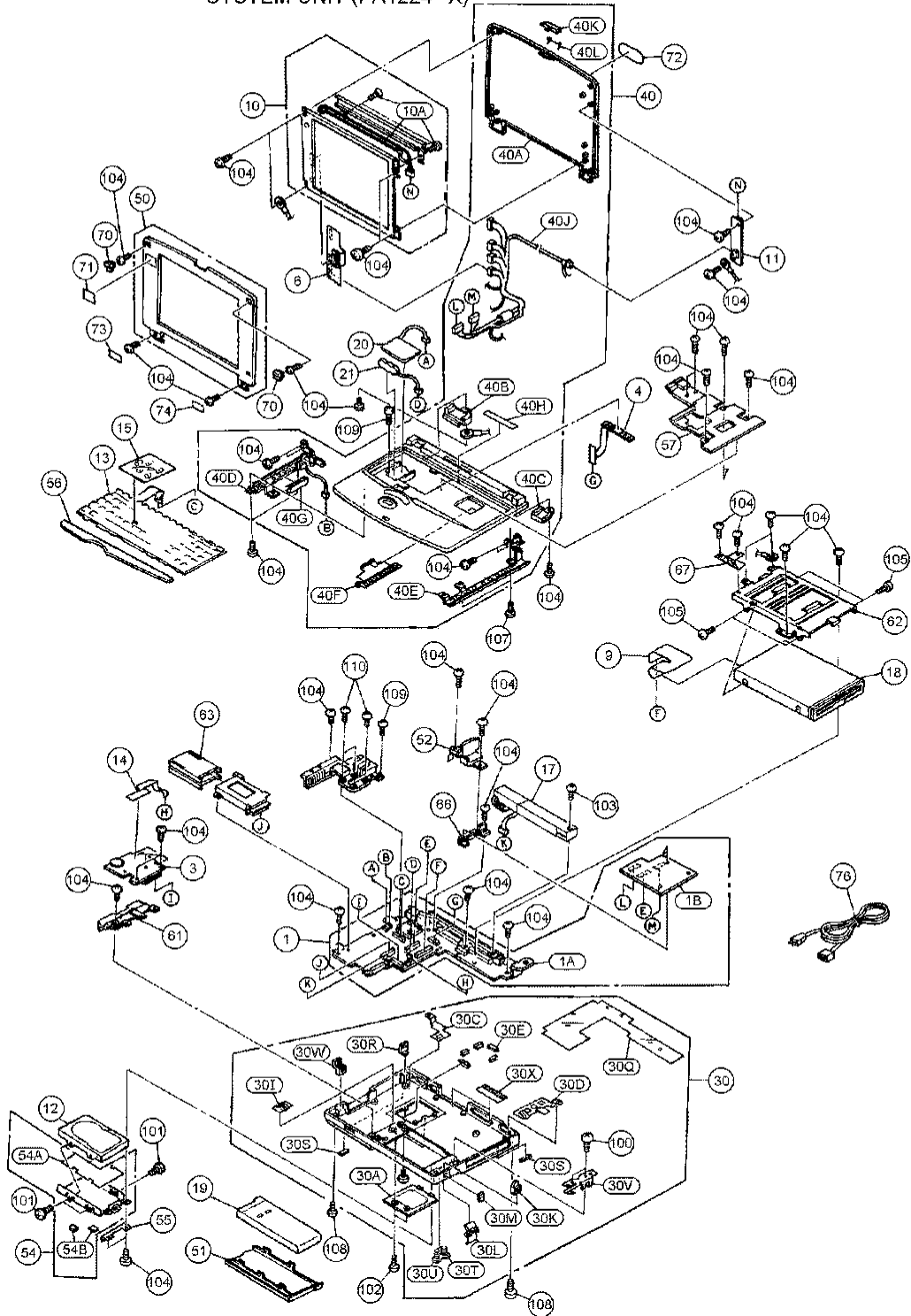


**Satellite 110CT**  
SYSTEM UNIT (PA1224\*\*X)



N°	Toshiba PN	Description
1A	P000218900	PCB FV1SY2
1B	P000218910	PCB FV1VG2
3	P000222030	PCB FV1HD1
4	P000205780	PCB FV2LE1
6	P000211650	PCB FV3LT2
9	P000214850	FLEX PWB
10	P000219970	COLOR LCD MODULE

1-10	P000223450	COLOR LCD MODULE
10A	P000222310	FL TUBE
11	P000201740	FL INVERTER
12	P000219950	HDD UNIT (810MB)
1-12	P000221860	HDD UNIT (810MB)
2-12	P000223180	HDD UNIT (810MB)
13	P000203100	KEYBOARD UNIT
13-A	UE0283P05KB-SF	KEYBOARD UNIT, SPANISH
N/S	P000201560-BKT	KEYBOARD CONN. BRACKET
N/S	P000225850	KEYBOARD CONNECTOR COVER
14	P000201760	MEMBRANE SWITCH
15	P000203220	STICK CAP SET
17	P000214570	AC POWER SUPPLY UNIT
18	P000219960	FDD 3.5 INCH
19	PA2439UR	MAIN BATTERY (2800mAh)
20	P000201750	NI-MH BATTERY
21	P000205900	NI-MH BATTERY
30	P000219890	BASE ASSEMBLY
30A	P000206190	MEMORY COVER ASSEMBLY
30B	(reserved)	-
30C	P000214650	PALM REST SPRING, LEFT
30D	P000206220	PALM REST SPRING, RIGHT
30E	P000206230	MEMORY COVER SPRING
30I	P000206270	BATTERY SAFETY SPRING
30I-1	P000241400	BATTERY SAFETY SPRING
30I-2	P000279030	BATTERY SAFETY SPRING
30K	P000211350	BATTERY LOCK
30L	P000206300	BATTERY LATCH
30M	P000206310	BATTERY LATCH KNOB
30Q	P000215110	INSULATOR BASE
30R	P000202290	KEYBOARD HOLDER
30S	P000198350	BOTTOM CUSHION
N/S	P000198350-SHIM	SHIM
30T	P000206350	POP UP SPRING
30U	P000206360	BATTERY SPRING CAP
30V	P000215120	BATTERY LOCK SPRING
30W	P000214670	SWITCH BUTTON
30X	P000215130	BASE EARTH SPRING
40	P000219980	COVER ASSEMBLY
40-1	P000236020	COVER ASSEMBLY
N/S	P000237890	SPRING, EARTH
N/S	P000237810	LCD COVER ASSEMBLY
40A	P000218520	LCD COVER
40A-1	P000237370	LCD COVER
40B	P000214680	HINGE COVER, LEFT
40C	P000206410	HINGE COVER, RIGHT
40D	P000211380	SENSOR HARNESS ASSEMBLY
40D-1	P000237360	SENSOR HARNESS ASSEMBLY
40E	P000211390	BRAKE HINGE, RIGHT
40F	P000220020	KEYBOARD SUPPORT EARTH
40G	P000220030	KEYBOARD EARTH SPRING
40H	P000219910	ICON SEAL ASSEMBLY
40J	P000218530	LCD HARNESS
40K	P000211410	LCD LATCH
40K-1	P000237350	LCD LATCH
40L	P000206500	LCD LATCH SPRING
50	P000218540	LCD MASK ASSEMBLY
51	P000211440	BATTERY COVER ASSEMBLY
52	P000211880	INLET HOLDER ASSEMBLY
54	P000218930	HDD BRACKET ASSEMBLY
54-1	P000223670	HDD BRACKET ASSEMBLY
54A	P000222040	INSULATOR, HDD BRACKET
54A-1	P000223680	INSULATOR, HDD BRACKET

54B	P000221730	GUM CUSHION
55	P000218940	HDD HOLD BRACKET
56	P000211900	KEYBOARD HOLDER
57	P000211450	HEAT SINK, UPPER
61	P000214600	BATTERY CONNECTOR HOLDER
62	P000214950	FDD BRACKET
63	P000214960	PC CARD COVER
66	P000206070	VGA SUPPORT
67	P000214970	EARTH HDD SPRING
70	P000211430	LCD CUSHION
71	P000219990	PC NAME SEAL
71-1	NP110CT	PC NAME SEAL
72	P000220000	PC NAME SEAL(C)
72-1	8715	PC NAME SEAL(C)
73	P000206140	LCD MASK SEAL
74	P000206150	LCD MASK SEAL
76	P000202870	AC CORD SET
100	P000210110	SCREW M2X3Z
101	P000163450	SCREW M3X4
102	P000171940	SCREW M2X4
103	P000211500	SCREW M2.5X10Z
104	P000211490	SCREW M2.5X6Z
105	P000215140	SCREW M2X3C
106	P000169570	SCREW M2X6
107	P000209920	SCREW M2.5X4Z
108	P000160810	SCREW M2.5X8
109	P000211510	SCREW M2.5X8Z
110	P000207950	SCREW M2X4Z
<b>OPTIONS</b>		
OP	NW2031U	NW, 8MB MEMORY MODULE
OP	NW2031UX	NW, 8MB MEMORY MODULE
OP	KTT610/8	KINGSTON, 8MB MEMORY
OP	NW2032U	NW, 16MB MEMORY MODULE
OP	NW2032UX	NW, 16MB MEMORY MODULE
OP	KTT610/16	KINGSTON, 16MB MEMORY
OP	NW2034U	NW, 32MB MEMORY MODULE
OP	NW2034UX	NW, 32MB MEMORY MODULE
OP	KTT610/32	KINGSTON, 32MB MEMORY