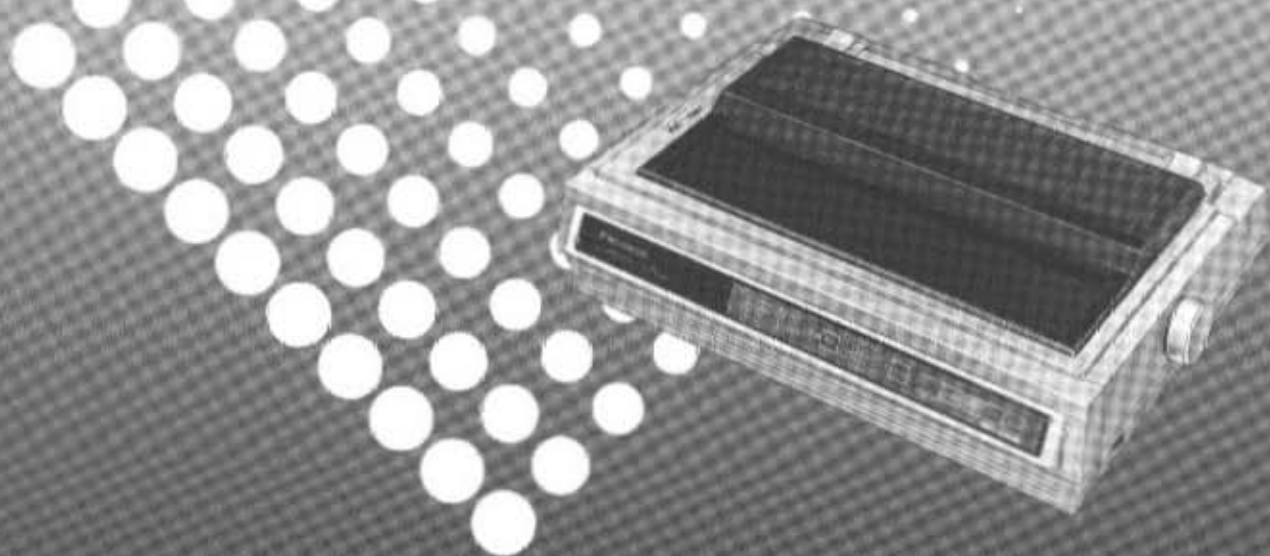


Panasonic

Operating Instructions

Impact Dot Matrix Printer

KX-P3696



Before operating this unit, please read these instructions completely.

FOR USE IN THE UNITED STATES ONLY

This equipment has been tested and found to comply with the limits for a Class B digital device, pursuant to Part 15 of FCC Rules. These limits are designed to provide reasonable protection against harmful interference in a residential installation.

This equipment generates, uses and can radiate radio frequency energy and, if not installed and used in accordance with the instructions, may cause harmful interference to radio communications. However, there is no guarantee that interference will not occur in a particular installation. If this equipment does cause harmful interference to radio or television reception, which can be determined by turning the equipment off and on, the user is encouraged to try to correct the interference by one or more of the following measures:

- Reorient or relocate the receiving antenna.
- Increase the separation between the equipment and receiver.
- Connect the equipment into an outlet on a circuit different from that to which the receiver is connected.
- Consult the dealer or an experienced radio/TV technician for help.

The user may find the booklet "Something About Interference" available from FCC local regional offices helpful.

FCC Warning: To assure continued FCC emission limit compliance, the user must use only the recommended shield interfacing cable when connecting to a host computer. Also, any unauthorized changes or modifications to this equipment would void the users authority to operate this device.

WARNING

- The power source voltage of this unit is listed on the nameplate. Plug the printer only into an outlet with the proper voltage.
- To prevent fire or shock hazard, do not expose this product to rain or any type of moisture.
- When you operate this equipment, the outlet should be near the equipment and should be easily accessible.

The serial number of the unit may be found on the label on the rear of the unit. For your convenience, note this number below, and retain this book, along with your proof of purchase, to serve as a permanent record of your purchase in the event of a theft, or for future reference.

MODEL NO. KX-P3696 NAME OF DEALER _____

SERIAL NO. _____ DATE OF PURCHASE _____

IBM and IBM-PC are trademarks of International Business Machines Corporation.
Proprinter is a trademark of International Business Machines Corporation.
Microsoft and Windows are trademarks of Microsoft Corporation.
Epson is a trademark of Seiko Epson Corporation.

Any details given in these Operating Instructions are subject to change without notice.

All Rights Reserved. © COPYRIGHT 1994 KYUSHU MATSUSHITA ELECTRIC CO., LTD.

Table of Contents

4	Introduction	4	Features
Chap. 1 Before You Start			
5	Cautions	6	Unpacking
5	Operating Environment	7	Preparations
5	Precautions	9	Parts of the Printer
Chap. 2 Setup			
11	Connecting to a Computer	19	Fanfold Paper (Bottom, Front Feed/ Pull Tractor Mode)
12	Ribbon Cassette	23	Single Sheets and Envelopes (Top Feed/Friction Mode)
12	Installing the Ribbon Cassette	25	Self Test
14	Removing the Ribbon Cassette	26	Printer Driver Selection
15	Paper Feed Selection	27	Installing a Printer Driver (Windows Ver. 3.1)
16	Installing Paper		
16	Fanfold Paper (Rear Feed/Push Tractor Mode)		
Chap. 3 Using the Setup Disk			
28	Initial Setup Mode	36	Save to Disk
32	Running the Initial Setup Program	37	Load from Disk (Recall Settings)
33	Exiting the Initial Setup Program	38	Send to Printer
34	Print Settings	38	Resetting to Factory Setting
34	Display Setting List	39	Help
35	Setting Selections on Setup Disk		
Chap. 4 Using the Control Panel			
40	Using the Control Panel	44	Tear Off TEAR OFF
40	Selecting a Character Font	45	Paper Parking LOAD/PARK
41	Selecting a Character Pitch	46	Paper Out Detector
42	Line Feed/Form Feed LF/FF	47	Initial Setup Mode
43	Top of Form Function (TOF SET)		
Chap. 5 Software Commands			
52	Command Reference Program (Using the Setup Disk)		
Chap. 6 Maintenance & Troubleshooting			
55	Periodic Maintenance/ Troubleshooting	55	Periodic Maintenance
		55	Troubleshooting
Appendix			
57	Initialization/Hex Dump	62	Interfacing
57	Initialization/Hex Dump	62	Parallel Interfacing
58	Printer Specifications	64	Character Set Tables
60	Paper Specifications	71	Glossary
60	Fanfold Paper/Single Sheet/Envelope	74	Index
61	Printing Area	76	Options and Supplies

Chap. 1

Chap. 2

Chap. 3

Chap. 4

Chap. 5

Chap. 6

Appendix

Introduction

Congratulations on purchasing a Panasonic printer.

This printer is a versatile, high quality 9-pin dot matrix printer which is designed to meet the needs of your office.

This printer has been factory set to operate with most of the popular software packages.

Your application software should control the printer functions. In most cases, there will be no need to change the initial printer settings.

Features

Printer Emulation: Epson FX-1170 and IBM Proprinter IIIXL

Setup Disk: Setup program, Command Reference program and a Printer Driver for Windows Ver. 3.1

Quiet Mode: Reduces printing noise

Fonts: 3 Draft (Pica, Elite, Micron)
6 Near Letter Quality (NLQ)
(Bold PS, Courier, Prestige, Roman, Sans Serif, Script)

Printing Speed: Draft—500 characters per second (15 cpi)
NLQ—80 characters per second (12 cpi)

Paper Handling: Friction and Tractor (Push/Pull built-in)

Paper Path: Rear, Bottom, Front, Top

Tear Off: Advances fanfold paper's perforation to tear position

Paper Parking: Allows single sheets/envelopes to be used without removing/wasting fanfold paper

Cut Sheet Feeder Option (KX-P38): Provides fast and automatic feeding of single sheets

Serial Interface Option (KX-PS13 and KX-PS14): You may select between parallel or serial when the KX-PS14 serial interface board is installed

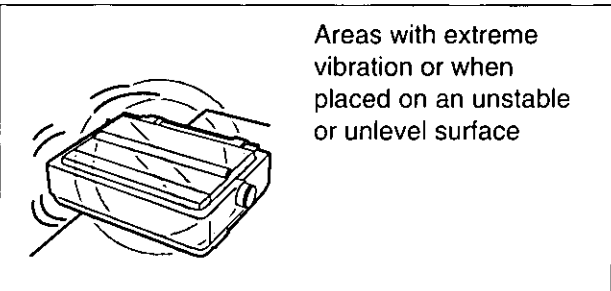
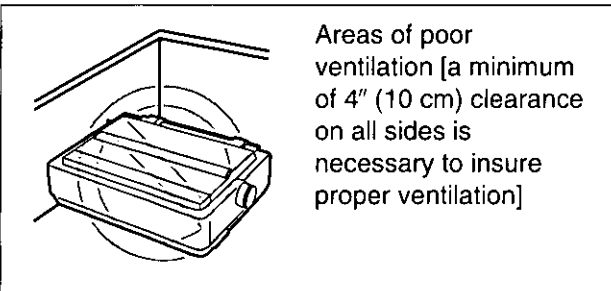
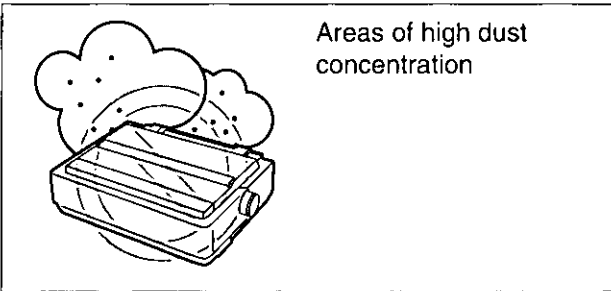
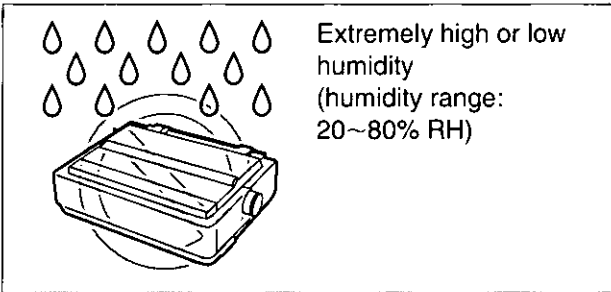
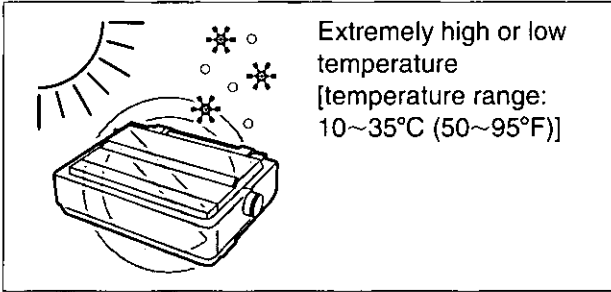
Buffer Chip Option (KX-P44): A 32K chip option (KX-P44) is available to expand your unit's memory capacity from 13K to 45K

Copies: Original plus four non-carbon copies

Cautions

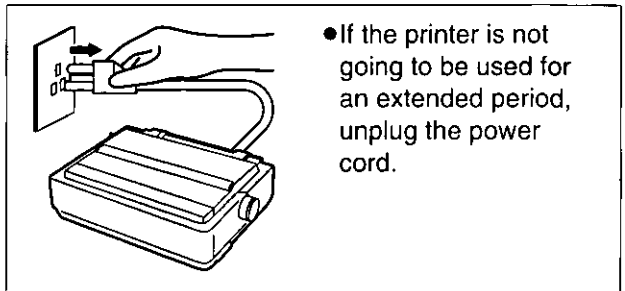
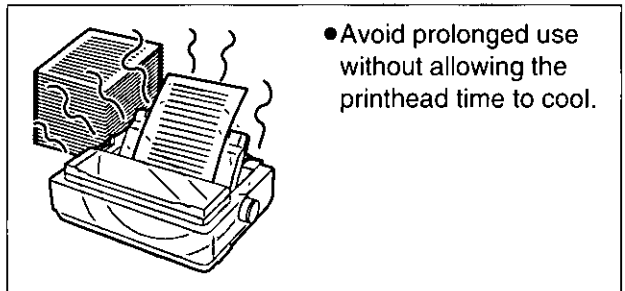
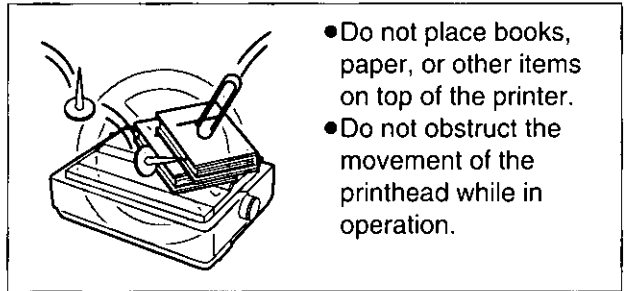
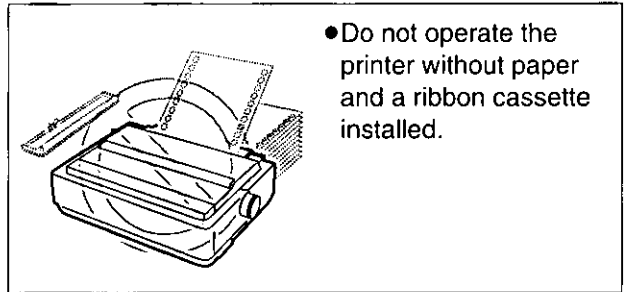
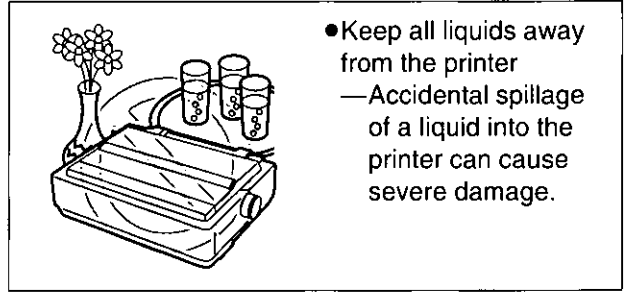
Operating Environment

- Do not use the printer in the following conditions.



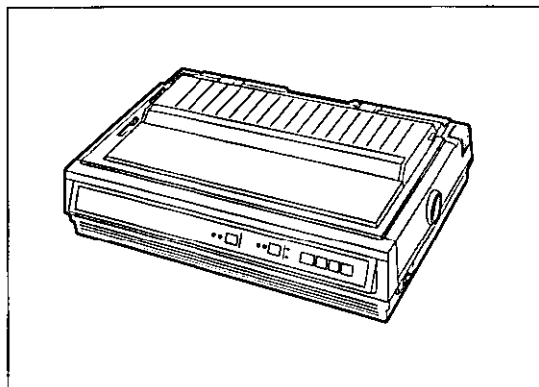
Precautions

The following precautions are recommended to extend the life of the printer.

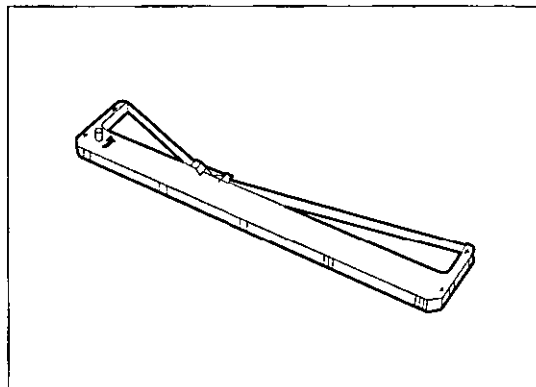


Unpacking

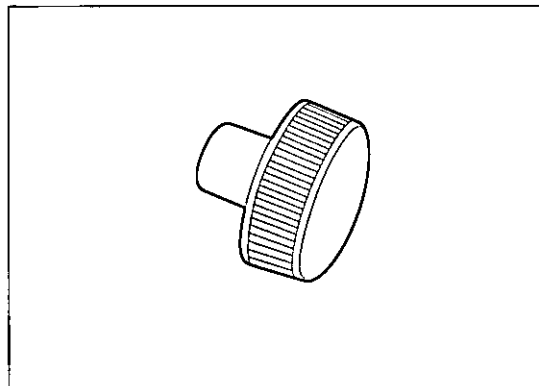
Having unpacked the printer, make sure none of the contents shown below are missing or damaged. Report damages or shortages to the store from which the unit was purchased.



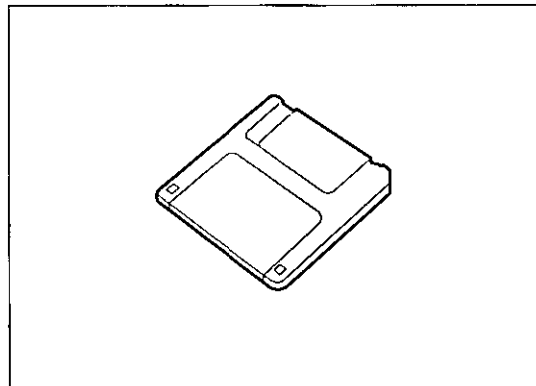
Printer



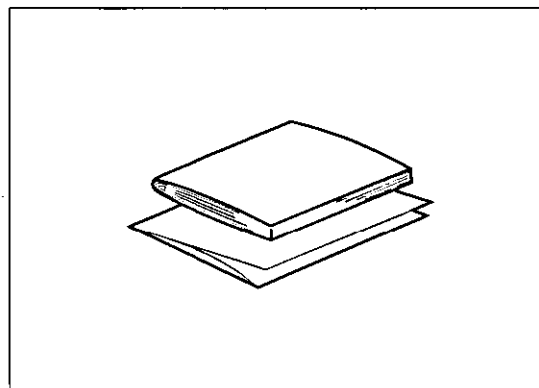
Ribbon cassette (KX-P170)



Platen knob



Setup disk



**Operating manual
Quick start guide**

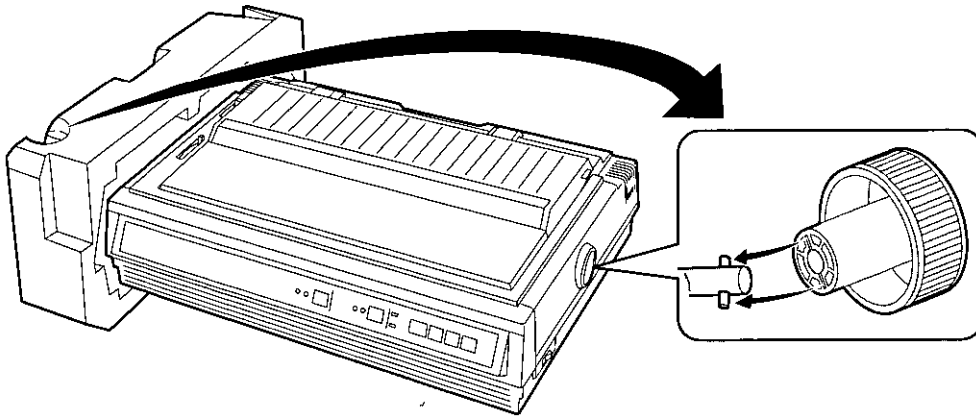
- The Setup Disk contains a Printer Driver for Windows Ver. 3.1 (☞ P. 27), a Setup program (☞ P. 28) and a Command Reference program (☞ P. 52).
- To use this Setup Disk, you need to have an IBM-PC or a compatible computer with a 3.5" floppy disk drive.

Note:

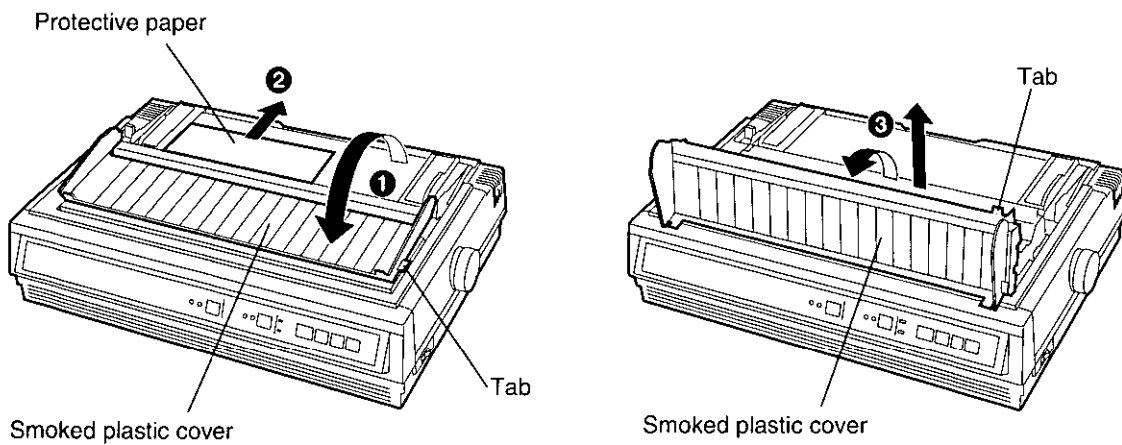
- It is recommended that you save the original carton and packing materials for proper shipping and transporting of the printer.

Preparations

- (a) Insert the platen knob into the hole on the right side of the printer and rotate it slowly until it slips onto the shaft. Push the platen knob onto the platen shaft to secure.



- (b) **1** Fold forward the smoked plastic cover using the tab.
2 Remove the protective paper which includes unpacking instructions.
3 Raise the smoked plastic cover using the tab and remove it.

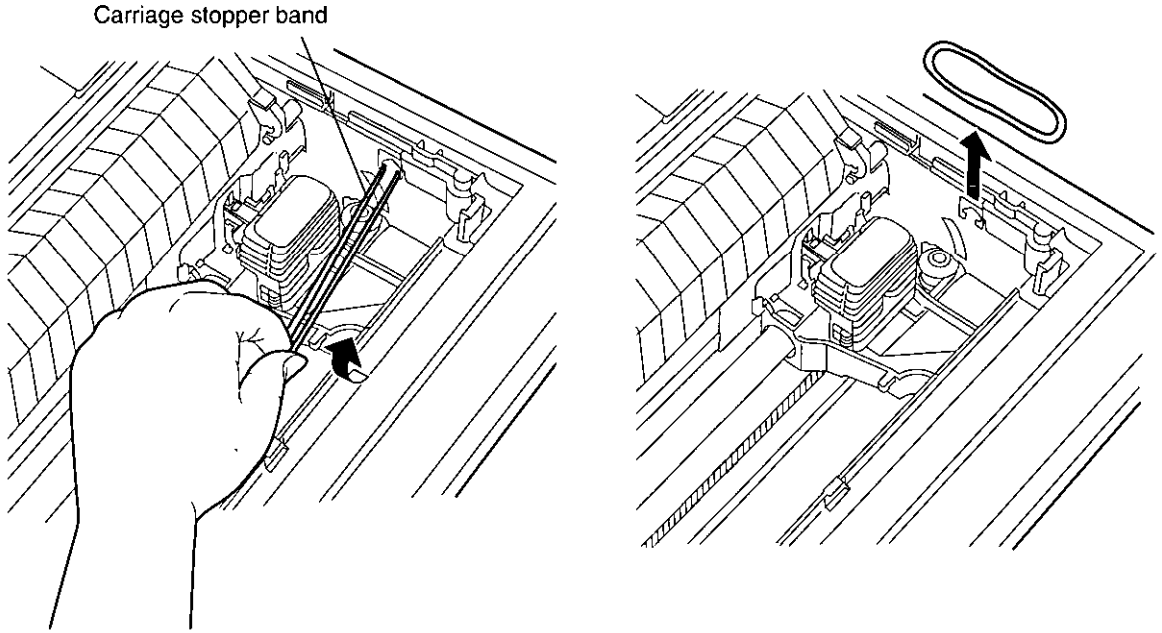


Note:

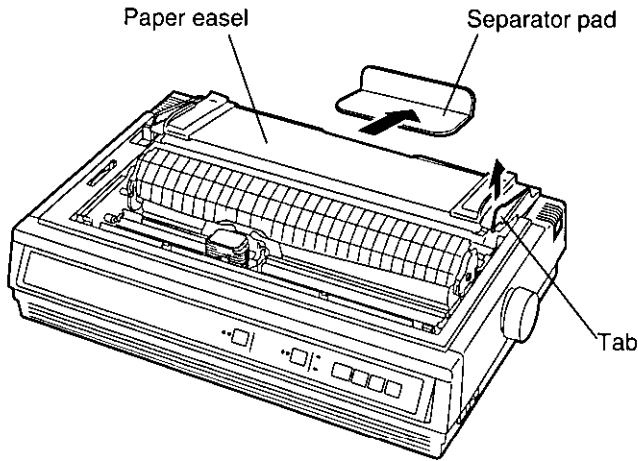
- Be careful not to drop the smoked plastic cover.

Unpacking

(c) Remove the carriage stopper band, as shown:



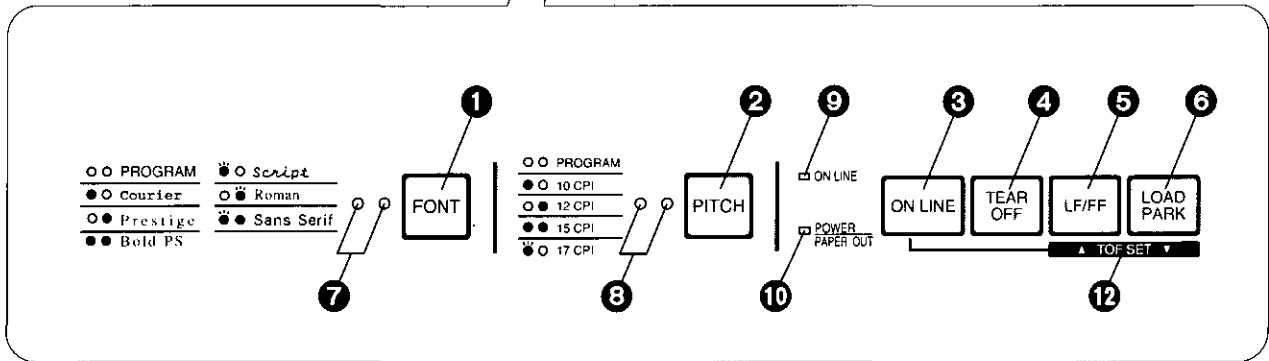
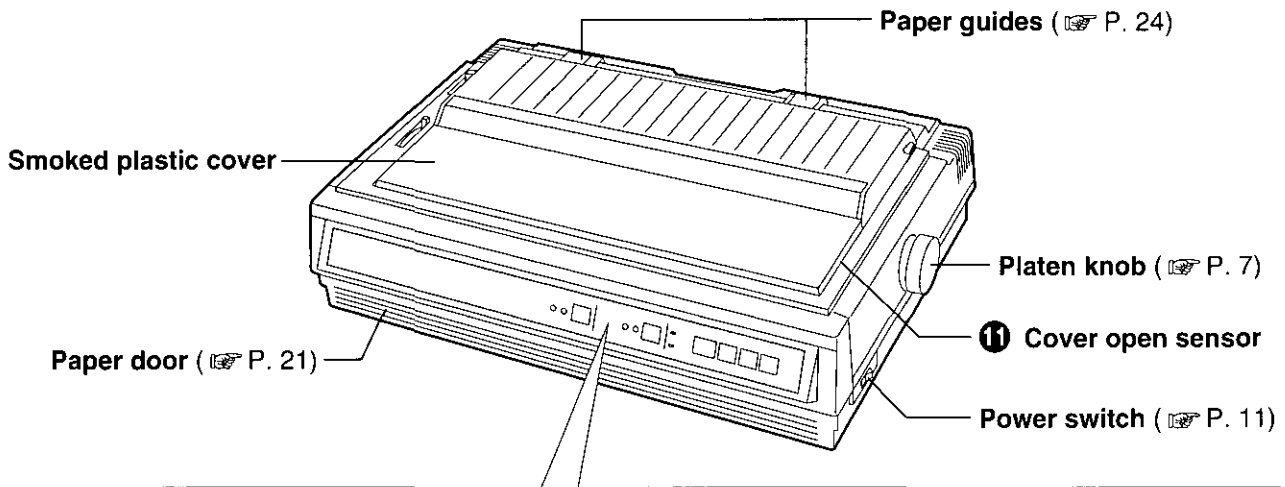
(d) Remove the separator pad by lifting the paper easel while holding the tab.



Note:

- Be sure to replace the carriage stopper band and the separator pad before transporting the printer.

Parts of the Printer



1 FONT switch

Pressing this switch selects the font style. (P. 40)

2 PITCH switch

Pressing this switch selects the characters per inch (cpi). (P. 41)

3 ON LINE switch

This switch opens and closes the communication line with the computer.

4 TEAR OFF switch

Pressing this switch advances or reverses the paper for tearing off. (P. 44)

5 LF/FF switch

Pressing this switch advances the paper one line at a time. Holding this switch advances the paper to the first print line of the next page. (P. 42)

6 LOAD/PARK switch

Pressing this switch loads or parks the paper. (P. 45)

7 FONT indicators

These indicators identify which Font has been selected. (P. 40)

8 PITCH indicator

These indicators identify what Pitch (CPI) has been selected. (P. 41)

9 ON LINE indicator

This indicator is lit when the printer is in the ON LINE mode, and is not lit when in the OFF LINE mode.

10 POWER/PAPER OUT indicator

This indicator is lit when the power is on and paper is installed. It blinks when paper is not installed. (P. 46)

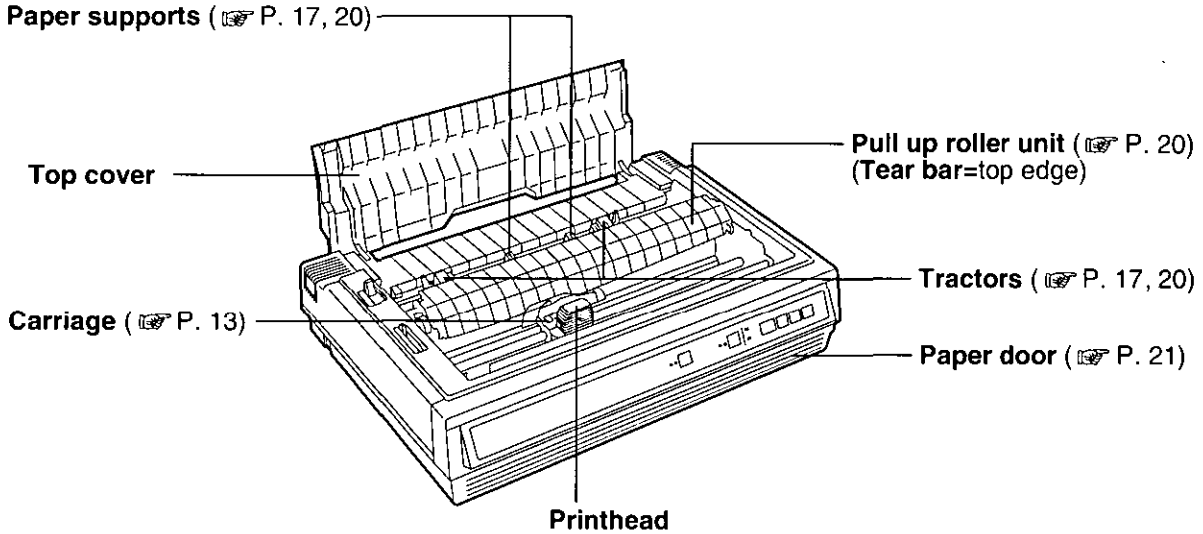
11 Cover Open Sensor

When the cover is opened, the machine will beep and printing will stop. To resume printing close cover and press **ON LINE**.

12 Micro Line Feed/TOF SET

Pressing **ON LINE** with **LF/FF** or **LOAD/PARK** will advance or reverse the paper 1/216". Using Micro Line Feed within 5" from the top of your paper will automatically store that position as the Top of Form (TOF). (P. 42, 43)

Parts of the Printer

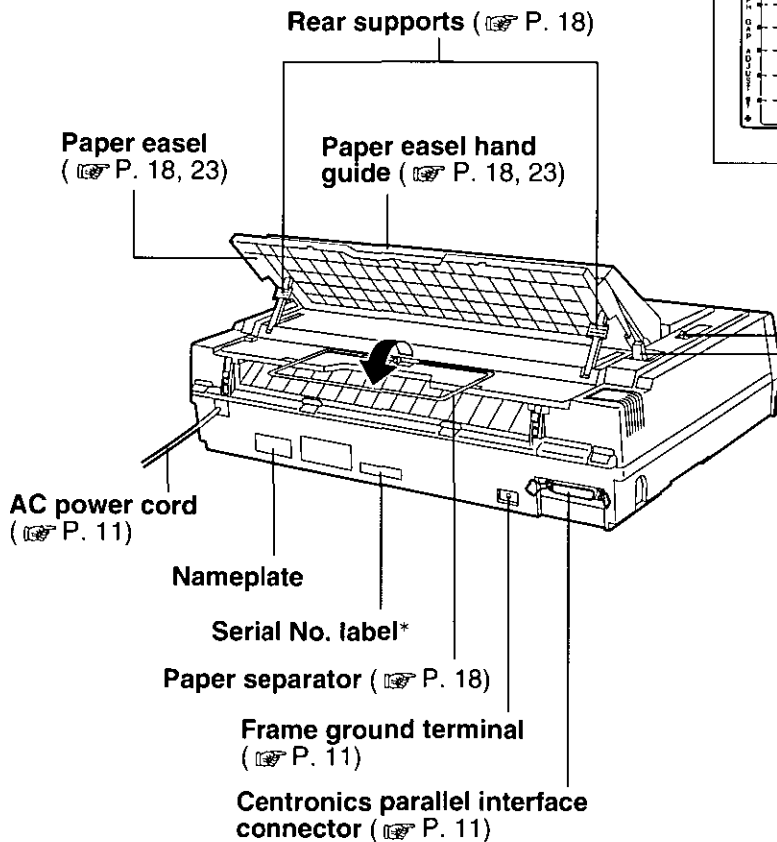


Head gap lever

Adjusts the gap between the platen and the printhead. The lever moves in increments of 0.0028 inch (0.07 mm).



Position	Used for
1 or 2	Thinner sheets
3, 4, 5 or 6	Thick sheets, multi-part forms or envelopes



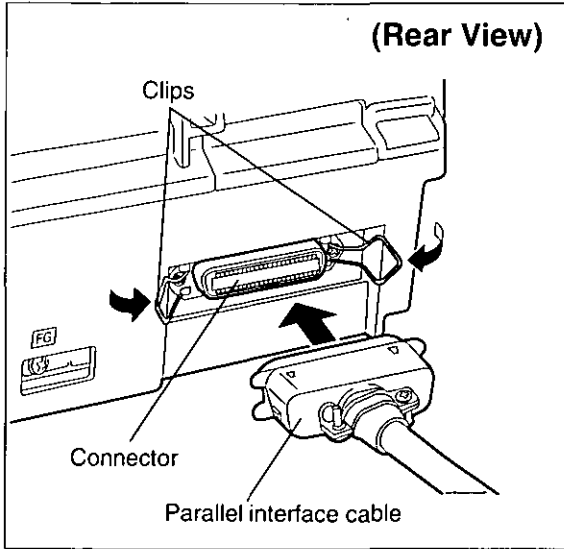
Paper feed selector

Position	Used for
<input type="checkbox"/> (Friction)	Single sheets and envelopes
<input type="checkbox"/> (Tractor)	Fanfold paper (front, bottom and rear feeding)

* For units sold in Canada, Serial No. is located on the Nameplate.

Connecting to a Computer

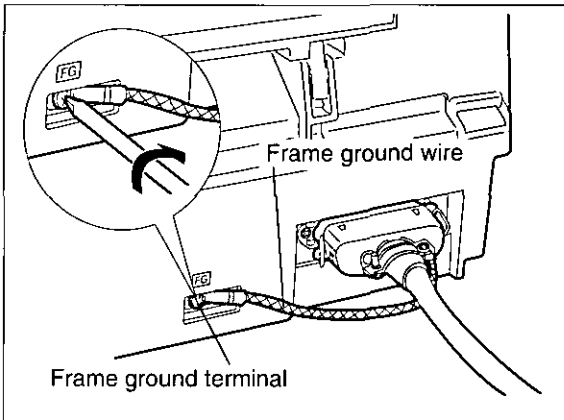
1



Attach the other end of the parallel interface cable from your computer to your printer and secure the printer clips.

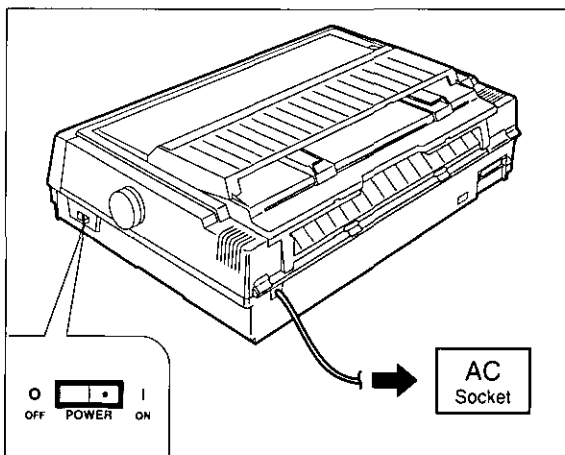
Note:

- If you do not have a parallel interface cable, you will need to purchase one from your local computer store or dealer.



If the cable has a frame ground wire, connect it to the frame ground terminal.

2

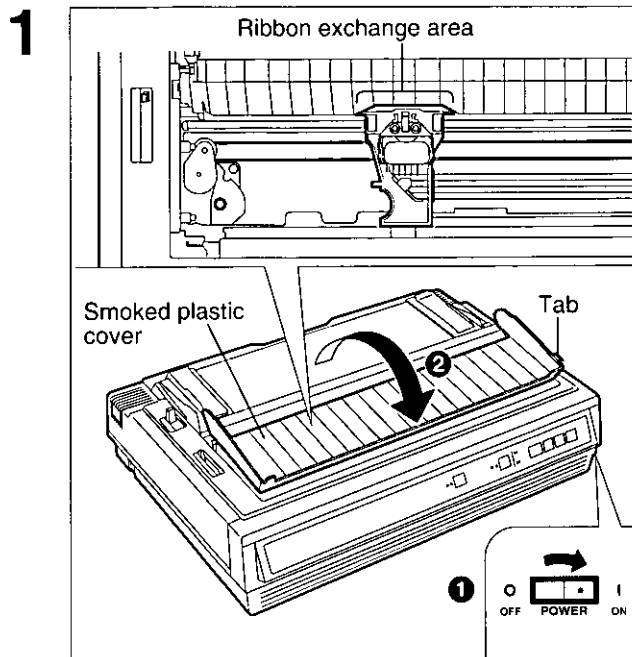


Plug printer into a grounded 3 prong AC socket.

When the power is supplied to the printer, the power indicator on the control panel will light.

Ribbon Cassette

Installing the Ribbon Cassette



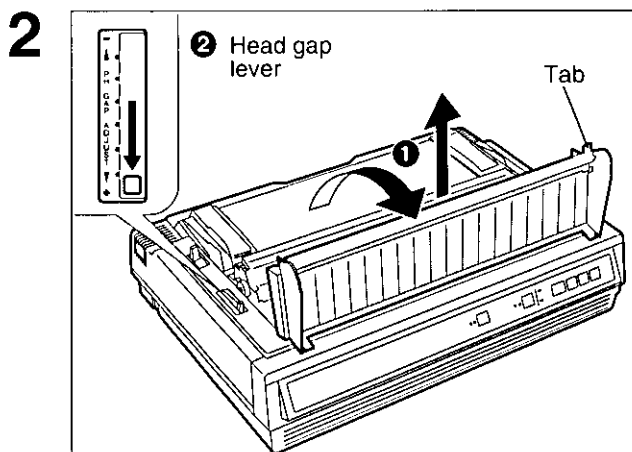
1 Turn the power on.

The carriage will automatically move to the ribbon exchange area.

Note:

- The ribbon cassette can only be installed in this area.

2 Fold forward the smoked plastic cover using the tab.

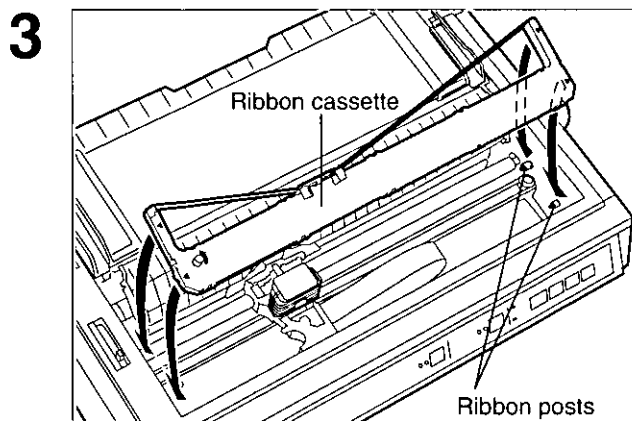


1 Raise the smoked plastic cover using the tab and remove it.

2 Move the head gap lever to the (+) position.

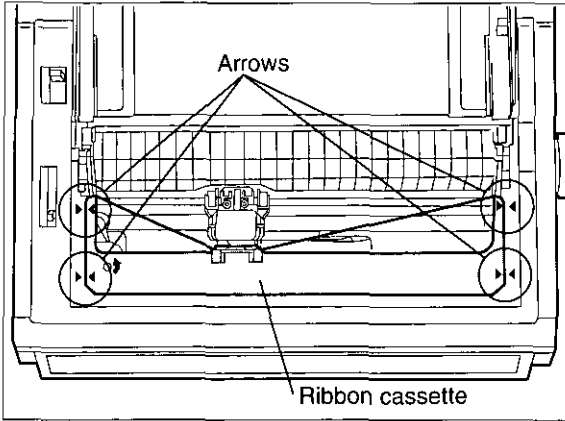
Note:

- Be careful not to drop the smoked plastic cover.
- The printhead may be hot, use caution when cover is open.



Lower the ribbon cassette onto the four ribbon posts (gold in color), insert the back portion of the ribbon into the printer first.

4

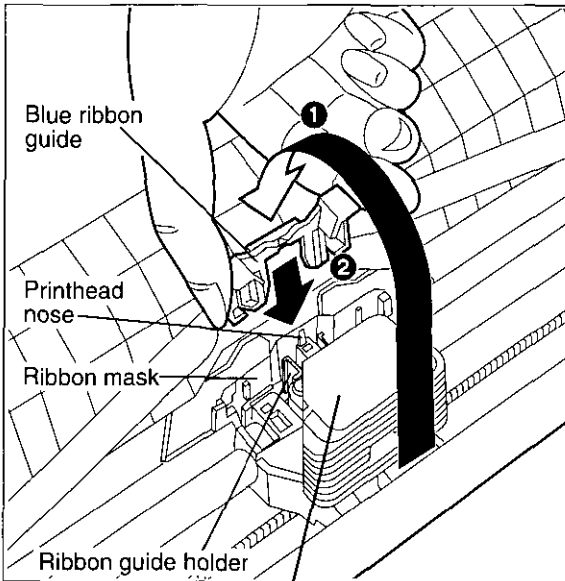


Line up the 4 arrows on the ribbon cassette with the arrows on the left and right sides of the frame. Push 4 arrows down until they click into place.

Note:

- Make sure that the ribbon cassette is perfectly placed in position.

5



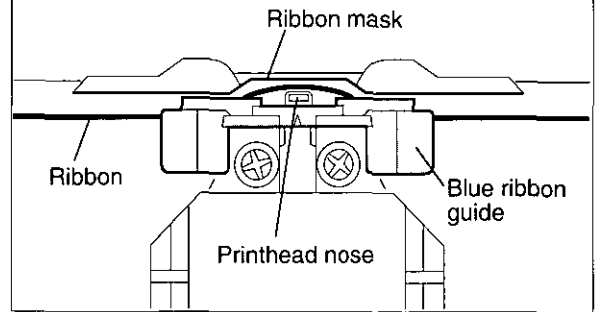
① Grasp the top of the blue ribbon guide with your thumb and forefinger, remove the blue ribbon guide by lifting from the ribbon cassette.

② Slide the blue ribbon guide onto the ribbon guide holder of the carriage and push the blue ribbon guide down.

Note:

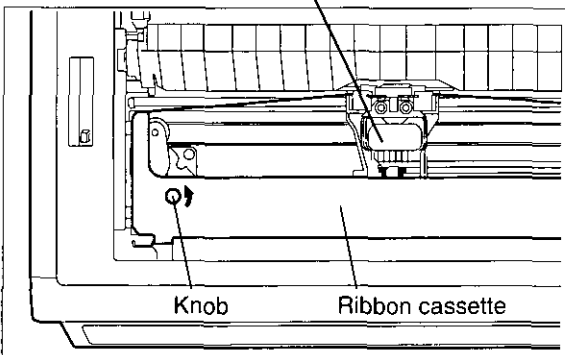
- If the ribbon does not insert easily between the printhead nose and the ribbon mask rotate the knob to reduce slack.

Top view



CAUTION
HOT SURFACE
DO NOT TOUCH !

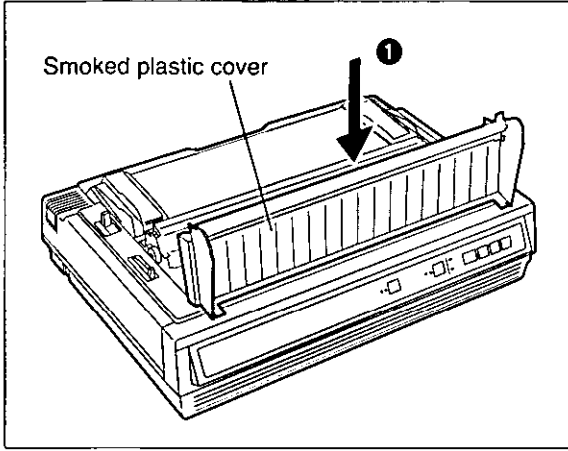
6



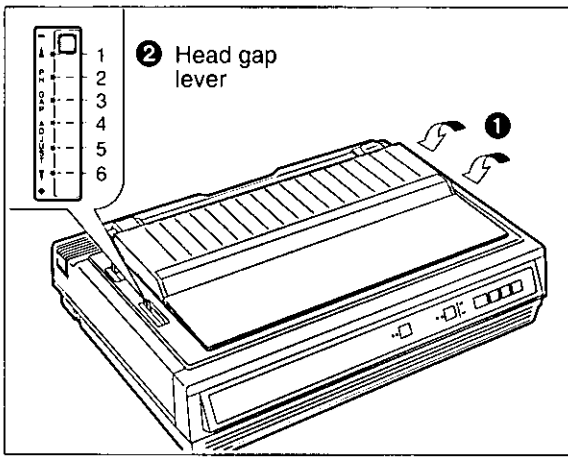
Rotate the knob on the ribbon cassette counterclockwise to remove any slack.

Ribbon Cassette

7



① Replace the smoked plastic cover.



② Adjust the head gap lever for the thickness of paper you are using.

Position	Used for
1 or 2	Thinner sheets
3, 4, 5 or 6	Thick sheets, multi-part forms or envelopes

Removing the Ribbon Cassette

- 1 To remove the ribbon cassette, perform step 1~2 of "Installing the Ribbon Cassette" at first. (P. 12)
- 2 Then reverse the installation procedure. (step 5 → step 4 → step 3 of "Installing the Ribbon Cassette". P. 12~13)

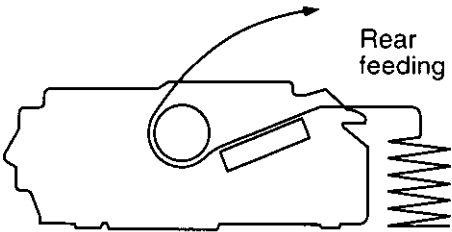
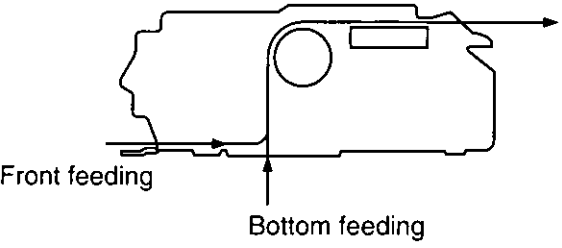
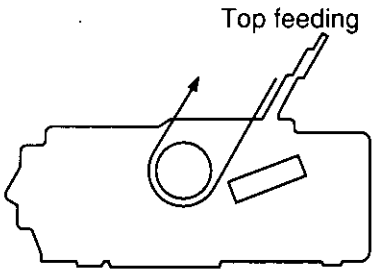
Caution:

- The printhead may be hot, use caution when cover is open.
- Do not lift up the flat cable located under the carriage when removing the ribbon cassette. It may break off.

Paper Feed Selector

This printer supports 4 paper paths (rear, bottom, front and top feeding). Rear, bottom and front feedings are for continuously fed paper. Top feeding is for single sheets or envelopes.

The optional KX-P38 Cut Sheet Feeder will accommodate automatic feeding of up to 80 single sheets from the top paper path.

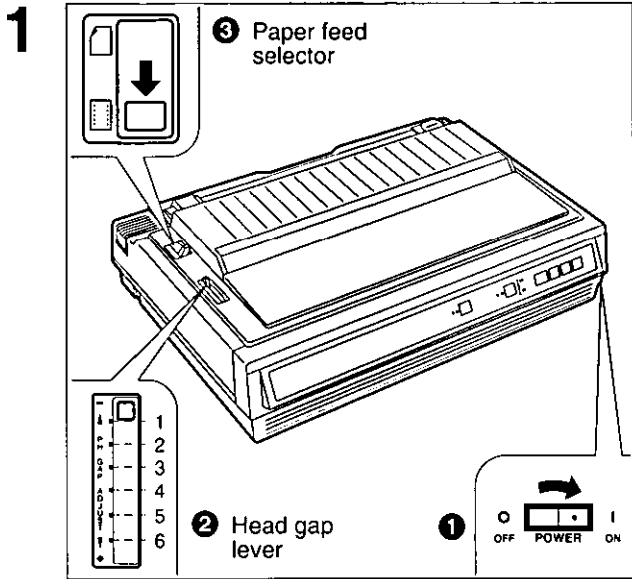
<p>Rear feed (☞ P. 16)</p> <ul style="list-style-type: none"> —fanfold paper (1 part) —multipart fanfold forms 	 <p>Rear feeding</p>
<p>Bottom and Front feed (☞ P. 19)</p> <ul style="list-style-type: none"> —multipart fanfold forms —fanfold labels —fanfold paper (1 part) 	 <p>Front feeding</p> <p>Bottom feeding</p>
<p>Top feed (☞ P. 23)</p> <ul style="list-style-type: none"> —single sheets (The optional KX-P38 Cut Sheet Feeder allows you to automatically feed up to 80 sheets of 20 lb paper.) —multipart single forms —envelopes 	 <p>Top feeding</p>

Note:

- For optimum print quality, do not use reverse line feeding in bottom and front feeding. If reverse feeding is necessary in bottom and front feeding, set **REVERSE LF/PULL** in the **INSTALL** menu to **ON** by using the Setup Disk.
- Paper Parking is not available in bottom and front feeding.
- When using multipart fanfold paper especially in environments that have very high or low temperature and/or humidity, we recommend the use of the bottom feed pull mode to optimize paper handling and print quality.

Installing paper

Fanfold Paper: (Rear Feed/Push Tractor Mode)




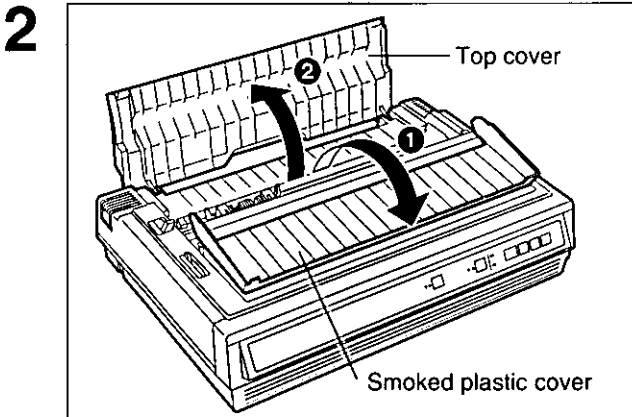
1 Turn the power on.

The PAPER OUT indicator will flash indicating that paper is not installed in the printer.

2 Adjust the head gap lever for the thickness of paper you are using.

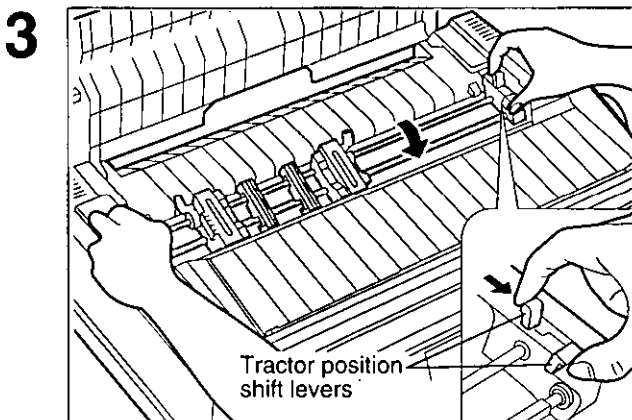
Position	Used for
1 or 2	Thinner sheets
3, 4, 5 or 6	Thick sheets or multi-part forms

3 Set the paper feed selector to “” (Tractor mode).

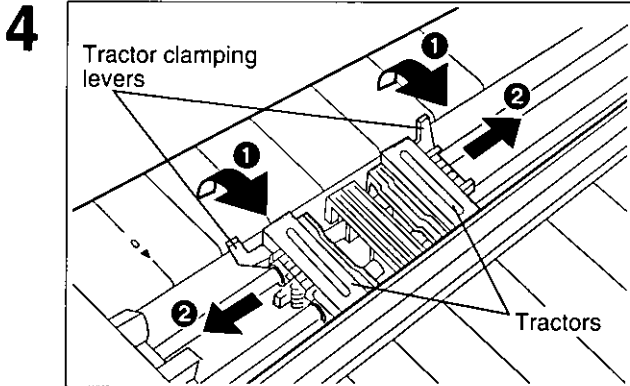


1 Fold forward the smoked plastic cover.

2 Open the top cover.



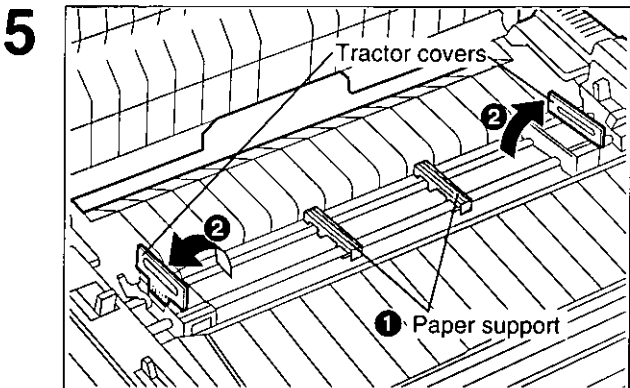
Pinch both left and right tractor position shift levers and lower the tractor mechanism downward until the tractors fall into place, then release.



1 Unlock the tractors by pulling the tractor clamping levers forward.

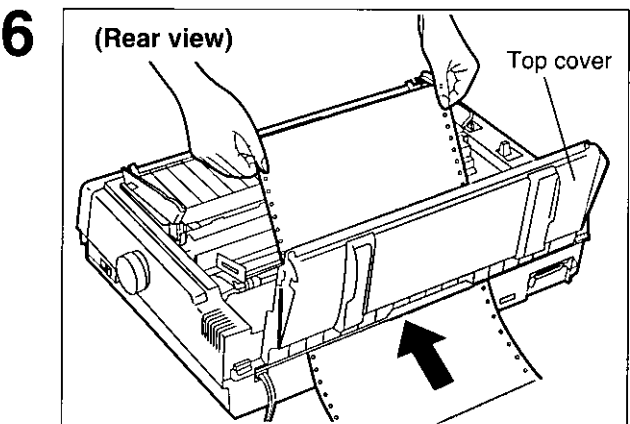
2 Slide the tractors to accommodate the approximate width of the paper being used.

In most applications, you will find that the 0 indicator on the tear bar is a useful tool for predetermining your left most print position.

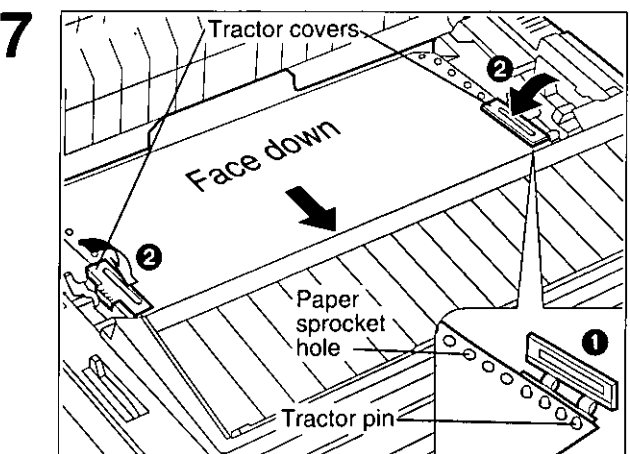


1 Slide the two paper supports between the tractors at equal spaces.

2 Open the tractor covers.



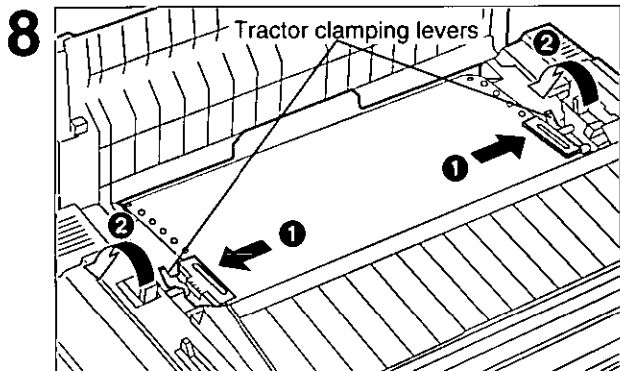
Feed paper through opening between printer and the top cover.



1 Align the paper sprocket holes with the tractor pins, making sure the paper is straight.

2 Close the tractor covers.

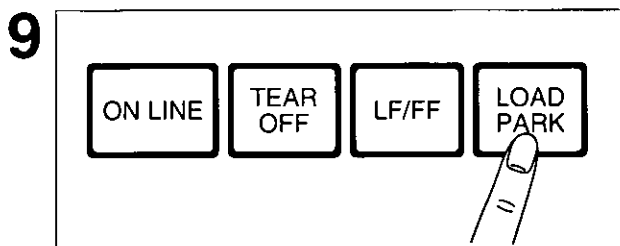
Installing paper



- 1 Adjust the tractors to remove any slack in the paper.
- 2 Lock the tractors by pushing the tractor clamping levers back.

Note:

- Put the tractor pins in the center of the paper sprocket holes when locking.

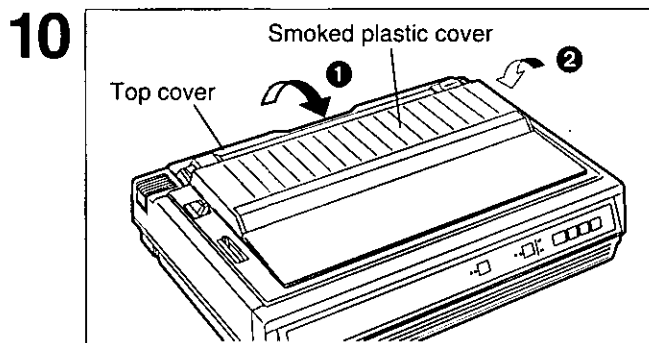


Press **LOAD/PARK**.

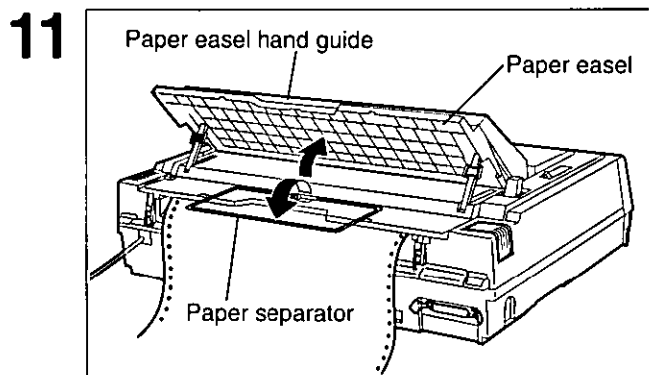
This will load the paper to the first print line.

Note:

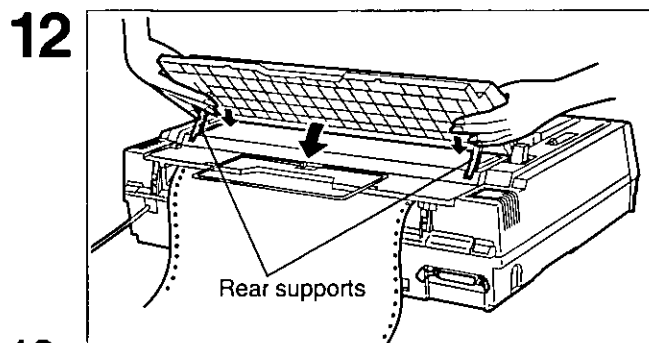
- Do not use **LF/FF** to load paper.



- 1 Close the top cover.
- 2 Fold back the smoked plastic cover.



Extend the paper separator by first raising the paper easel by lifting the paper easel hand guide and then unfolding it.

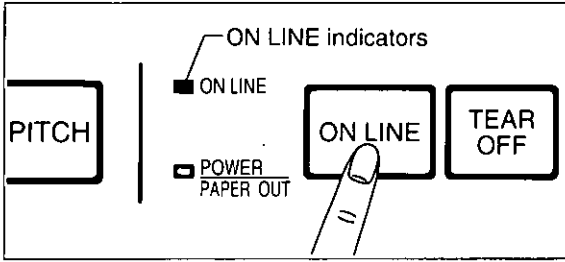


Lower the paper easel by simultaneously depressing the rear supports.

Note:

- Be careful not to pinch your fingers.
- When in tractor mode please do not use paper guides to guide the paper path. In tractor mode the paper is guided by the tractor units themselves.

13



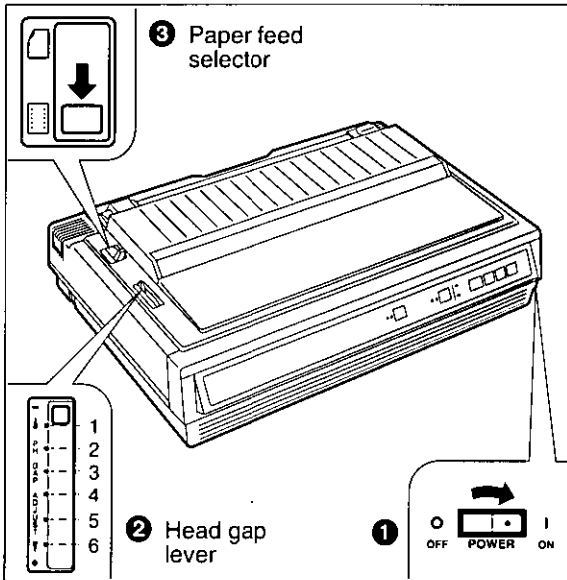
If **ON LINE** indicator is not lit, press **ON LINE** to get ready to print.

Note:

- If setting up the printer for the first time, proceed to Printer Driver Selection. (P. 26)

Fanfold Paper: (Bottom, Front Feed/Pull Tractor Mode)

1




❶ Turn the power on.

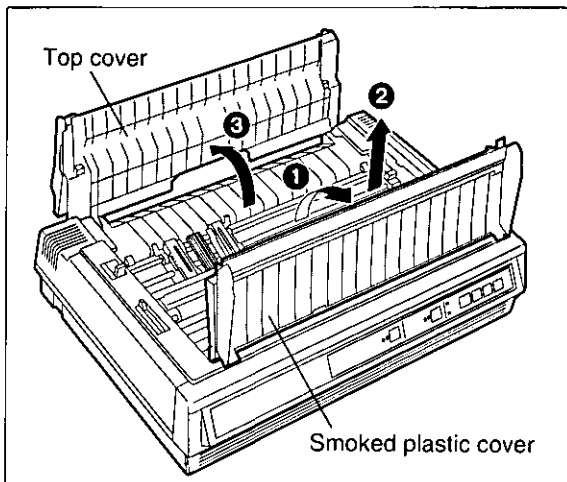
The PAPER OUT indicator will flash indicating that paper is not installed in the printer.

❷ Adjust the head gap lever for the thickness of paper you are using.

Position	Used for
1 or 2	Thinner sheets
3, 4, 5 or 6	Thick sheets or multi-part forms

❸ Set the paper feed selector to “” (Tractor mode).

2

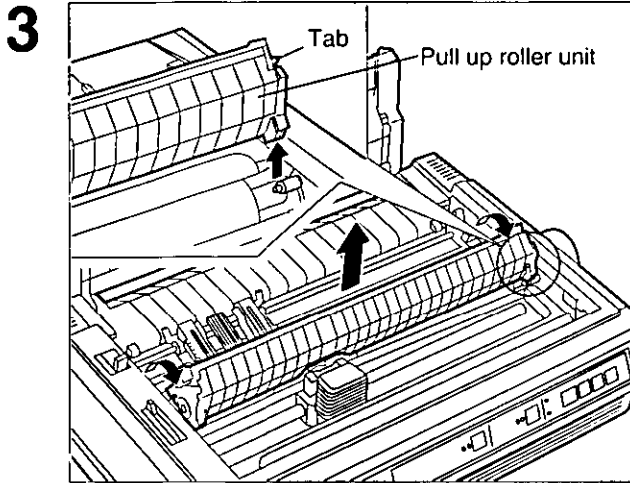


❶ Fold forward the smoked plastic cover and raise it.

❷ Remove the smoked plastic cover.

❸ Open the top cover.

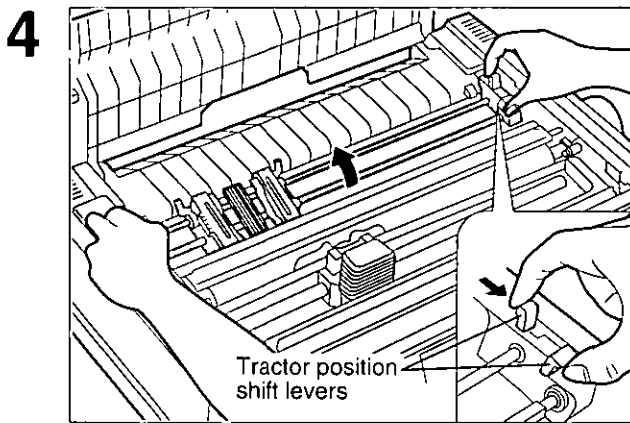
Installing paper



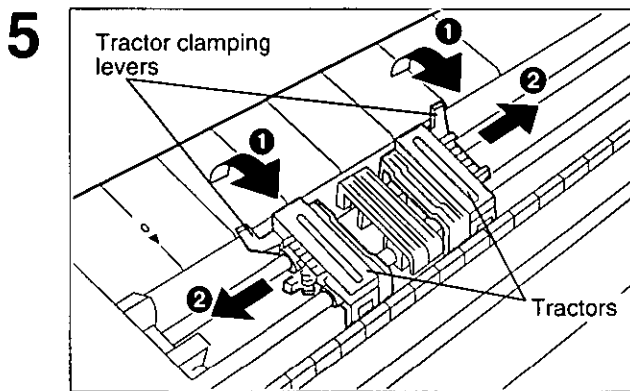
Remove the pull up roller unit by grabbing the tabs at both ends and gently rotating forward until you feel it release, then lift up.

Note:

- Do not misplace the pull up roller unit.

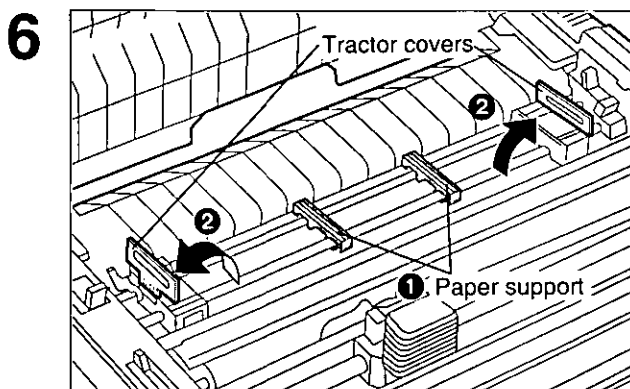


Pinch both left and right tractor position shift levers, and lift the tractor mechanism up then release the levers.



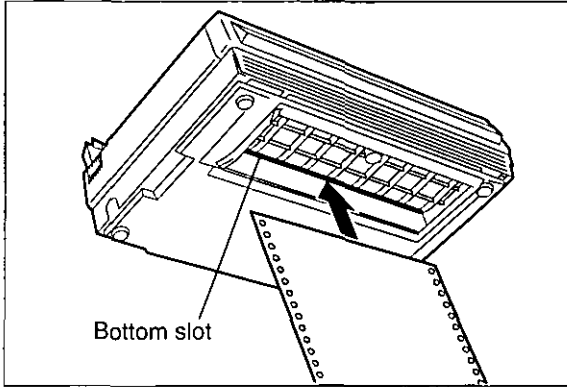
- 1 Unlock the tractors by pulling the tractor clamping levers forward.
- 2 Slide the tractors to accommodate the approximate width of the paper being used.

In most applications, you will find that the "0" indicator on the back of the cover is a useful tool for predetermining your left most print position.



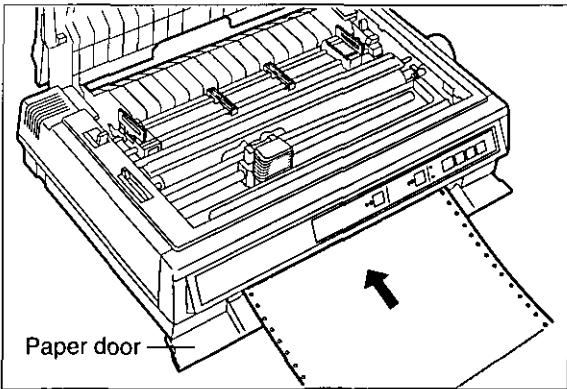
- 1 Slide the two paper supports between the tractors at equal spaces.
- 2 Open the tractor covers.

7



When Bottom Feeding:

With the printer being supported by a printer stand, or on a table that allows for bottom feed, push the paper up through the bottom opening until it appears in front of the platen.



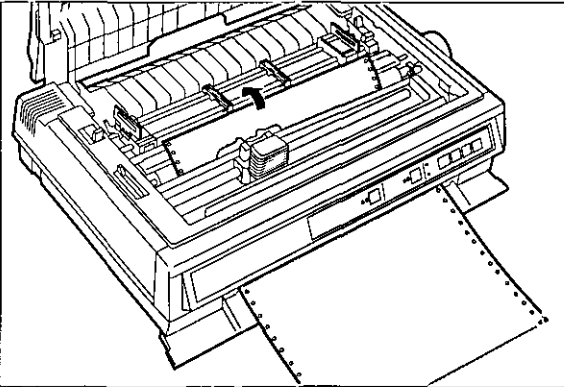
When Front Feeding:

Open the paper door and insert the paper until it appears in front of the platen.

Note:

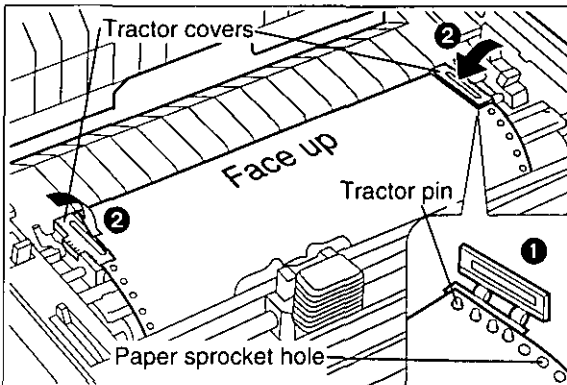
- When feeding fanfold paper or labels through the front paper door, paper types and condition, as well as temperature and humidity conditions may effect accurate line feeding and print quality may not be optimum. For optimum output bottom feed is recommended.

8



Adjust the paper position by pulling it up as shown.

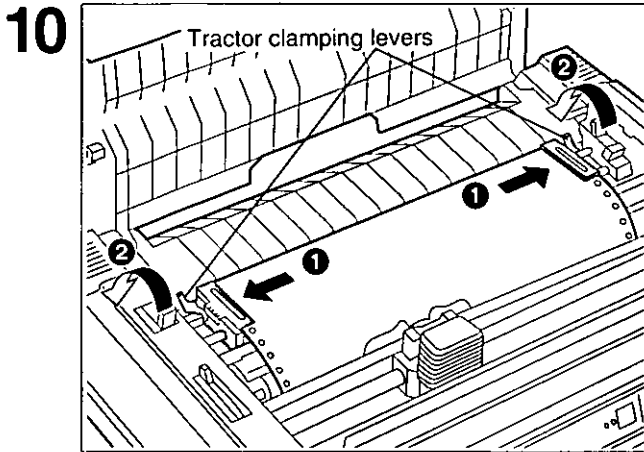
9



① Align the paper sprocket holes with the tractor pins, making sure the paper is straight.

② Close the tractor covers.

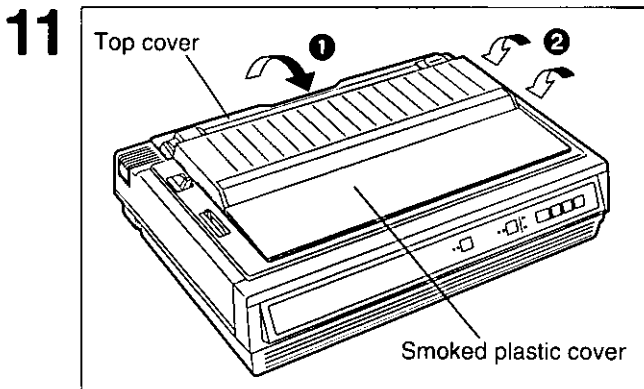
Installing paper



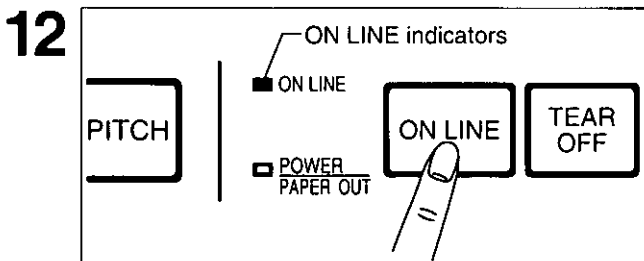
- ① Adjust the tractors to remove any slack in the paper.
- ② Lock the tractors by pushing the tractor clamping levers back.

Note:

- Put the tractor pins in the center of the paper sprocket holes when locking.



- ① Close the top cover.
- ② Replace the smoked plastic cover.



If **ON LINE** indicator is not lit, press **ON LINE** to get ready to print.

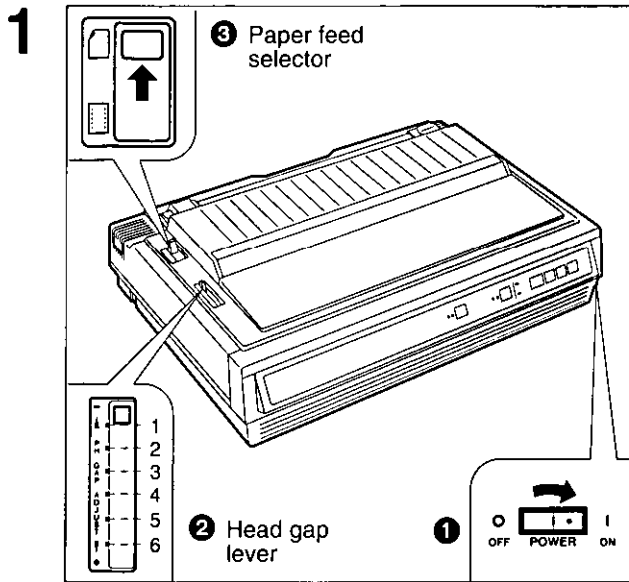
Note:

- If setting up the printer for the first time, proceed to Printer Driver Selection. (P. 26)

Note:

- In bottom and front feed, reverse feed functions will not feed paper correctly and the resulting printout may not be correct. If reverse feeding is necessary in bottom or front feed, set **REVERSE LF/PULL** in the **INSTALL** menu to **ON** by using the Setup Disk.
- When in tractor mode please do not use paper guides on the top cover to guide the paper. In tractor mode the paper is guided by the tractor units themselves.

Single Sheets and Envelopes: (Top Feed/Friction Mode)




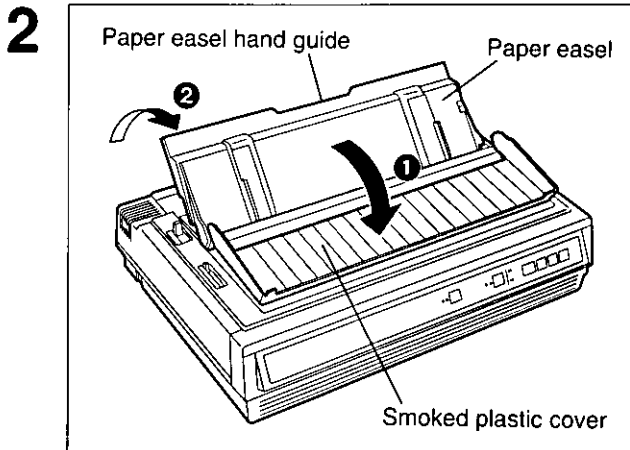
1 Turn the power on.

The PAPER OUT indicator will flash indicating that no paper is installed in the printer.

2 Adjust the head gap lever for the thickness of paper you are using.

Position	Used for
1 or 2	Thinner sheets
3, 4, 5 or 6	Thick sheets or envelopes

3 Set the paper feed selector to “” (Friction mode).

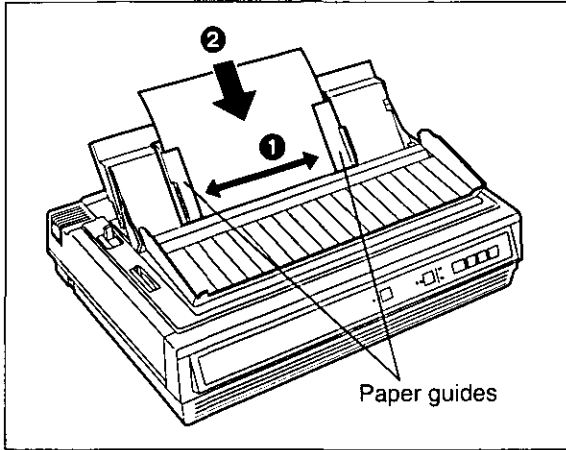


1 Fold forward the smoked plastic cover.

2 Raise the paper easel by lifting the paper easel hand guide.

Installing paper

3



1 Separate the paper guides to the approximate width of your paper or envelope.

Note:

- To predetermine your left most print position, move the left paper guide until it clicks into place.

2 Insert a sheet of paper through the paper guides.

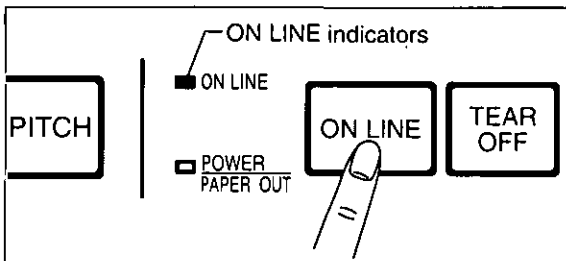
The paper will automatically be loaded to the first print position.

Note:

- To disable Auto Loading, turn it OFF in the Install Menu on your Setup Disk. (P. 30)
- If Auto Loading is disabled, you must press **LOAD/PARK** to load paper.
- If you need to align the paper horizontally or vertically, set the paper feed selector to "□". This releases the paper and allows the paper to be positioned manually as required. Set the selector back to "□" before printing.

4 Fold back the smoked plastic cover.

5



If ON LINE indicator is not lit, press **ON LINE**, to get ready to print.

Note:

- If setting up the printer for the first time, proceed to Printer Driver Selection. (P. 26)

Note:

- When the paper feed selector is in "□", the buzzer will sound to inform you that the selector is in the wrong position.
- When loading an envelope, if the envelope will not load smoothly, move the paper feed selector to "□" and insert the envelope manually, then move the selector back to "□".

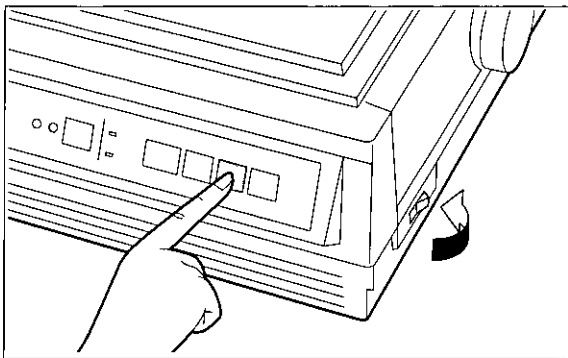
Self Test

The printer has a self test feature which allows you to test the printer. When activated, this feature will print 5 lines of each resident font. When complete, it will return to the draft font and continue approximately 20 minutes.

1 Load fanfold paper or a single sheet of paper, then turn the power off.

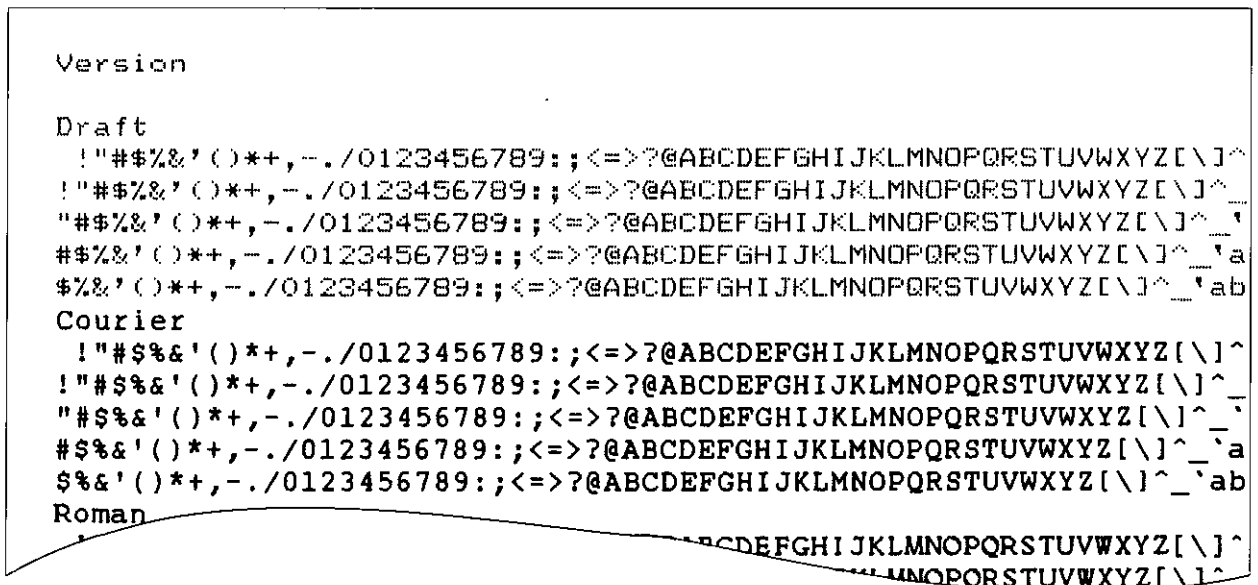
(☞ P. 16~24)

2



While pressing **LF/FF**, turn the power on, then release.

3 A sample printout will begin, which serves as a self test.



4 Once you see that the printer is functioning properly, you may turn the power off during the self test, or you may run the entire test

(approximately 20 minutes).

Printer Driver Selection

The printer driver allows your application software to properly control your printer's features. The printer driver is contained in your application software.

Selecting a printer driver is the final step before printing and is performed in your application software program. The steps will vary, depending on the software program. Consult your software package for proper procedures. The Panasonic KX-P3696 will be your first choice. However, if the Panasonic KX-P3696 printer is not listed in your software, you must select an alternative from the following table.

Note: If using Microsoft Windows Version 3.1, you will need to install a Windows printer driver. This driver is located on the Setup Disk supplied with your printer. Proceed to Installing a Printer Driver section on page 27 for the installation procedure.

Printer Driver Selections (in order of priority)

Printer Selections
Panasonic KX-P3696
Panasonic KX-P1695
Epson FX-1170
Panasonic KX-P1150
Panasonic KX-P2180
Epson FX series
IBM Proprinter IIIXL*

* If selecting the IBM Proprinter IIIXL in your software, printer emulation must also be changed in the Initial Setup items. (P. 28~39, 47~49)

Installing a Printer Driver (Windows Ver. 3.1)

The following steps are only necessary if using Microsoft Windows Version 3.1. The Setup Disk packaged with your printer contains a Panasonic KX-P3696 Printer Driver for Windows Version 3.1. To install this printer driver, you must begin at the Program Manager screen in your Windows program. Follow the steps below for the proper installation procedure.

Note:

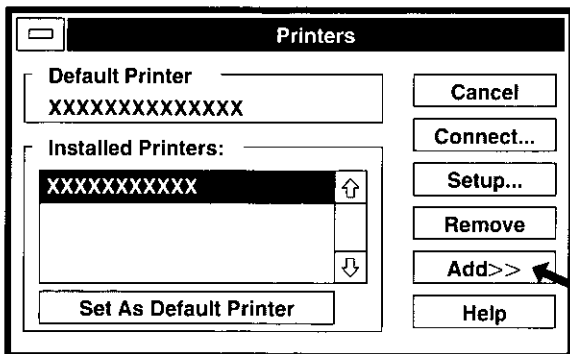
- Use the DISKCOPY command of the operating system to make a back-up copy. Refer to your DOS manual for further information.

1 In "Main Group", select "Control Panel".

2 In "Control Panel", select "Printers".

If you have installed a printer driver, the dialog box expands to display a list of printers available in the Windows Ver. 3.1 package, and **Add>>** is unavailable. In "Installed Printers", select the printer you want. Go to step 9.

3 Click **Add>>**.



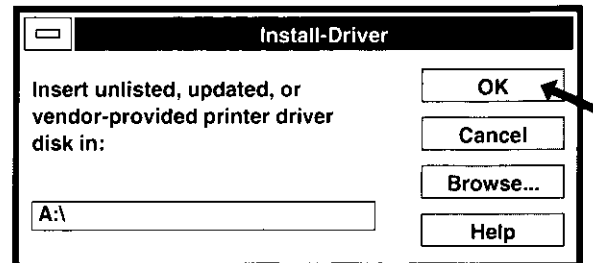
4 In "List of Printers", select "Install Unlisted or Updated Printer".

5 Click **Install...**.

6 Insert the Setup Disk into drive A.

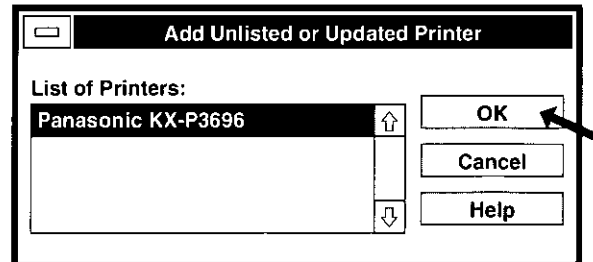
If reading the printer driver disk from drive B, type B:\

7 Click **OK**.



The printer driver KX-P3696 is shown in the dialog box.

8 Click **OK**.



9 Click **Set As Default Printer**.

10 Click **Close**.

11 Exit the "Control Panel".

Initial Setup Mode

This printer allows you to select 45 initial setup items shown in the table below. You can select all these items by using the Setup Disk.

Menu	Item	Setting			Description
PRINT STYLE	FONT	DRAFT* ROMAN SANS SERIF COURIER	PRESTIGE SCRIPT BOLD PS		Selects Draft or NLQ (Near Letter Quality) font.
	PITCH	10 CPI* 12 CPI 15 CPI 17 CPI 20 CPI	PROPORTIONAL 5 CPI 6 CPI 7.5 CPI 8.5 CPI		Selects the desired characters per inch (cpi) or Proportional Spacing.
EMULATION	EMULATION	EPSON* IBM			Sets the emulation mode to Epson FX-1170 or IBM Proprinter IIIXL.
PAGE FORMAT	LINE/INCH	1 LPI 2 LPI 3 LPI	4 LPI 6 LPI* 8 LPI	9 LPI 12 LPI	Selects the desired lines per inch (lpi).
	PAGE LENGTH	14 inch 12 inch 11 ² / ₃ inch 11 inch*	8.5 inch 8 inch 5.5 inch FREE		When you select "FREE", the number increases or decreases by 1/2" (about 0.35 mm) from 0.5" to 15.0" (about 12.70 mm to 381.00 mm).
	TOP MARGIN	0.00"* to 2.50" (0.00 cm to 6.35 cm)			The number increases or decreases by 1/2" (about 0.35 mm).
	BOTTOM MARGIN	0.00"* to 5.00" (0.00 cm to 12.70 cm)			The number increases or decreases by 1/2" (about 0.35 mm).
	LEFT MARGIN	0* to 134 column (10 CPI)			The value number depends on the PITCH and PRINT WIDTH selected.
	RIGHT MARGIN	2 to 136* column (10 CPI)			The value number depends on the PITCH and PRINT WIDTH selected.
	CTR PRINTHEAD (Centering printhead)	10 to 80 (42*) column (10 CPI)			The number increases or decreases by 1.

* denotes setting when shipped from factory.

Menu	Item	Setting	Description
PRINT MODE	GRAPHIC DIRECTION	BI DIRECTION UNI DIRECTION*	Graphics are printed left-to-right only (UNI DIRECTION) or in both directions (BI DIRECTION).
	TEXT DIRECTION	BI DIRECTION* UNI DIRECTION	Text is printed left-to-right only (UNI DIRECTION) or in both directions (BI DIRECTION).
	PRINT WIDTH	13.6 inch* 8.0 inch	Selects the desired print width.
TEXT ENHANCEMENT	BOLD (determines weight or thickness of a character)	OFF* ON	Activates bold printing (ON), deactivates bold printing (OFF).
	DOUBLE HIGH (height of a character is twice that of a normal one)	OFF* ON	Activates double high printing (ON), deactivates double high printing (OFF).
	DOUBLE STRIKE (two passes of the printhead)	OFF* ON	Activates double strike printing (ON), deactivates double strike printing (OFF).
	DOUBLE WIDE (width of a character is twice that of a normal one)	OFF* ON	Activates double wide printing (ON), deactivates double wide printing (OFF).
	ITALICS	OFF* ON	Activates italic printing (ON), deactivates italic printing (OFF).
	ZERO FONT	NORMAL* POINT SLASH	Selects zero character NORMAL (0), POINT (θ) or SLASH (ø).
CHARACTER SET	COUNTRY	U.S.A.* JAPAN FRANCE NORWAY GERMANY DENMARK 2 U.K. (England) SPAIN 2 DENMARK 1 L. AMERICA SWEDEN (Latin America) ITALY KOREA SPAIN1 LEGAL	Selects one of 14 language or legal character sets.
	CHARACTER SET	ITALIC* GRAPHIC 1 GRAPHIC 2	Selects the italics or graphics/character sets 1 or 2. ("ITALIC" is available only in the Epson mode.)
	CODE PAGE	U.S.A.* NORWAY MULTILINGUAL TURKEY PORTUGAL BRASCII CANADA FRENCH ABICOMP	Selects one of 8 code pages.

* denotes setting when shipped from factory.

Initial Setup Mode

Menu	Item	Setting	Description
INSTALL	AUTO CR/IBM	OFF* ON	Activates (ON) or deactivates (OFF) Automatic CR on LF, VT, ESC+"J". (This setting is effective only in the IBM mode.)
	AUTO LF	OFF* ON	Activates (ON) or deactivates (OFF) Automatic LF after CR.
	BUZZER	OFF ON*	Buzzer sounds (ON) or doesn't sound (OFF).
	AUTO LOADING	OFF ON*	Setting to ON automatically loads a single sheet or envelope to the first print line. [This setting is inoperative when using the optional Auto Cut Sheet Feeder (KX-P38).]
	SELECTS 20 CPI	OFF ON*	This setting is effective only in the IBM mode.
	PAPER OUT DETECT	OFF ON*	Paper Out Detector is active (ON) or ignored (OFF).
	QUIET MODE	OFF* ON	Reduces (ON) or doesn't reduce (OFF) the printing noise.
	REVERSE LF/PULL	OFF* ON	Setting to ON enables the reverse feeding in bottom and front feed.
	TEAR OFF	MANUAL* AUTO	When set to MANUAL, the paper's perforation doesn't advance to the tear off position unless you press the TEAR OFF . Setting to AUTO advances the paper's perforation to the tear off position automatically.
	CSF MODE	OFF* ON	[This setting is operational when using the optional Cut Sheet Feeder (KX-P38).]
	DOWNLOAD	OFF* ON	Setting to ON allows you to download (user-defined) special characters and setting to OFF allows you to send more data to your printer's buffer, thereby freeing up your computer.
AUTO ON LINE	OFF ON*	Setting to ON enables the printer to automatically enter ON LINE mode after installing paper.	

* denotes setting when shipped from factory.

Menu	Item	Setting	Description
INTERFACE [This setting is effective only when the optional KX-PS14, RS-232C serial interface board is installed.]	INTERFACE	PARALLEL* SERIAL	Selects the desired interface parallel or serial.
	DATA LENGTH	8 BITS* 7 BITS	Selects Data Length 8 bits or 7 bits.
	BAUD RATE* ¹	150 BPS 2400 BPS 300 BPS 4800 BPS 600 BPS 9600 BPS* 1200 BPS	Selects the desired baud rate.
	PARITY* ¹	NONE* ODD IGNORE EVEN	Selects the desired parity.
	PROTOCOL* ¹	DTR* XON/XOFF	Selects the desired protocol DTR or XON/XOFF.
	SDT* ¹	RBC 128* RBC 512	Selects the remaining buffer capacity (R.B.C.) 128 byte or 512 byte to suspend data transfer (S.D.T.) (X/OFF).
	RDT* ¹	SDT + 128* SDT + 256	Selects the remaining buffer capacity (R.B.C.) 128 byte or 256 byte to resume data transfer (R.D.T.) (X/ON).
T.O.F. SETTING (Top of Form Setting)	TRACTOR	0.00" to 5.00" ($24/72$ "*) (0.00 cm to 12.70 cm)	The number increases or decreases by $1/72$ " (about 0.35 mm).
	FRICTION	0.00" to 5.00" ($24/72$ "*) (0.00 cm to 12.70 cm)	The number increases or decreases by $1/72$ " (about 0.35 mm).
	CUT SHEET FEEDER	0.00" to 5.00" ($24/72$ "*) (0.00 cm to 12.70 cm)	The number increases or decreases by $1/72$ " (about 0.35 mm). [This setting is operational when using the optional Cut Sheet Feeder (KX-P38).]

* denotes setting when shipped from factory.

*¹ displayed only when SERIAL is selected in INTERFACE.

Initial Setup Mode

This Setup Disk can only be used in an IBM-PC or a compatible computer with a 3.5" floppy disk drive.

Before using the Setup Disk, it is recommended that you make a back-up copy and store the original in a safe place.

This printer has been factory set to operate with most of the popular software packages. In most cases there will be no need to change the initial setup items. Refer to pages 28~31 to verify that the factory settings meet your requirements. If no changes are required, you should be ready to print.

Note:

- Use the DISKCOPY command of the operating system to make a back-up copy. Refer to your DOS manual for further information.
- You may find it convenient to install the Setup Disk programs directly onto your C Drive, rather than reading them from the Setup Disk each time a change is necessary. Either method is acceptable.

To perform an automatic installation of the Setup Disk files onto your C Drive, follow the steps below:

1. Insert the Setup Disk into drive A or B.
2. Type **A:** (or **B:**) and press **Enter**.
3. Type **INSTALL** and press **Enter**.

This procedure automatically creates a directory called **3696** and copies all of the programs from your Setup Disk onto your C Drive. If you want to run the Initial Setup Program, press **Y**. If you want to exit, press **N**.

To recall the programs from your C Drive.

<For DOS>

1. At your C:\> prompt, type **CD 3696** and press **Enter**.
2. Type **SETUP** and press **Enter**.

<For WINDOWS>

1. Select **Run** from the File menu.
2. Type **C:\3696\SETUP** and click **OK** (or press **Enter**).

Be sure to type **SETUP** as one word. If not, you will receive a Syntax error message.

Running the Initial Setup Program

- 1 Insert your Setup Disk into either drive A or B.

<For DOS>

- 2 Type **A:** (or **B:**) and press **Enter**.

- 3 Type **SETUP**.

- 4 Press **Enter**.

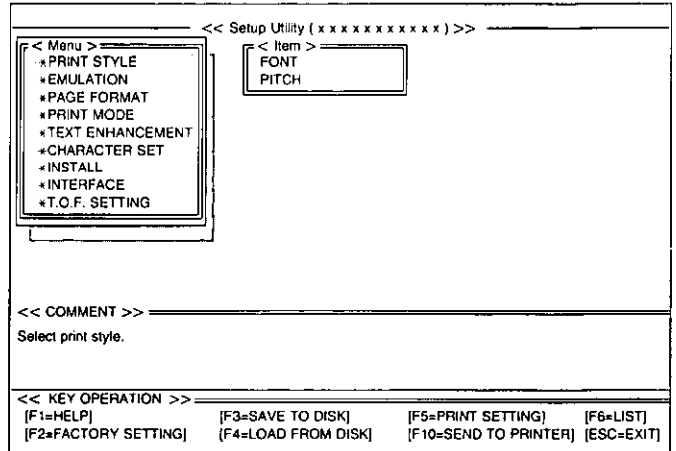
<For WINDOWS>

- 2 Select **Run** from the File menu.

- 3 Type **A:\SETUP** (or **B:\SETUP**).

- 4 Click **OK** (or press **Enter**).

- 5 The first screen is an introduction to the operation of the Setup Disk. Please read it through and press any key to continue. (If your display is monochrome, press "M" key.)
- 6 The <Menu> window will be highlighted.



Note:

- You can proceed through the Setup Disk using a computer mouse or your arrow keys.

Using the keyboard:

- **↓** / **↑** to move within the current window.
- **→** to advance to <Item> and <Setting> windows.
- **Enter** to make selection in <Setting> window.
- **←** to return to the previous window.

Using the mouse:

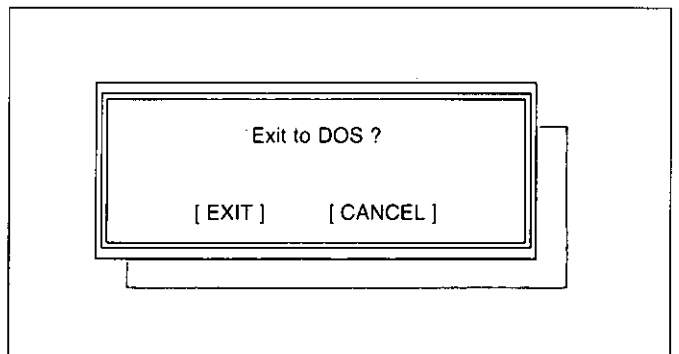
- Highlight the selection and click the left mouse button.

Exiting the Initial Setup Program

- 1 Press **ESC** until the "Exit" screen appears.

"E": Exit to DOS.

"C": Return to <Menu> window.



Print Settings

Before you change any selections on the Setup Disk, you can verify the settings by getting a print-out.

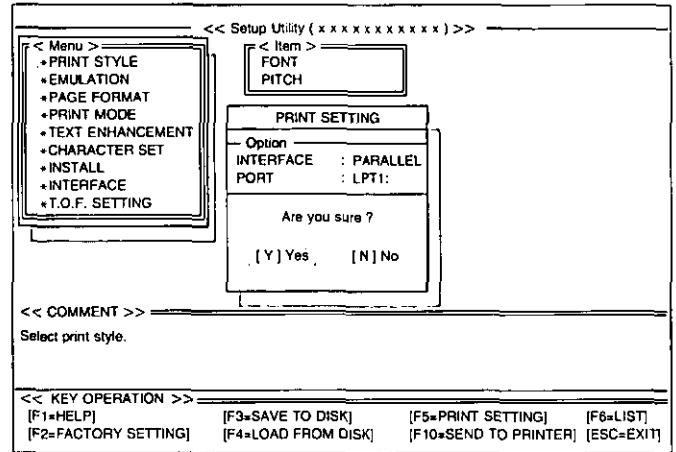
1 Press **F5**.

A Print Setting window will be displayed.

2 Press **Y** or **N**, or highlight the appropriate command and press **Enter**.

"Y": Current print settings will be printed.

"N": The print settings won't be printed and the display will return to the Main screen.



Note:

•When sending the data by Serial interface, change the option items on the display to the required setting. (ex; INTERFACE)

1. After pressing **F5**, press **↑** to highlight to PARALLEL.
2. Press **Enter**.
3. Press **↓** until SERIAL is highlighted.
4. Press **Enter**.

Three items (BAUD RATE, PARITY and DATA LENGTH) will be added to the PRINT SETTING window.

You may need to change the settings of additional options, without pressing **F5** again repeat steps 1~4.

Display Setting List

Before you change any selections on the Setup Disk, you can view the current setting list on the display.

1 Press **F6**.

The setting list will be displayed.

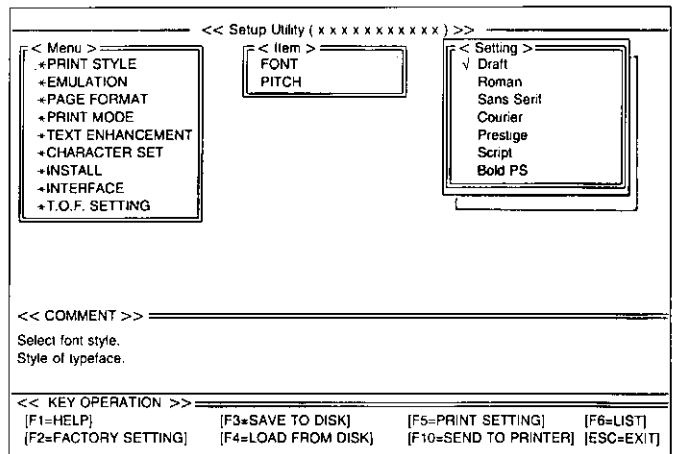
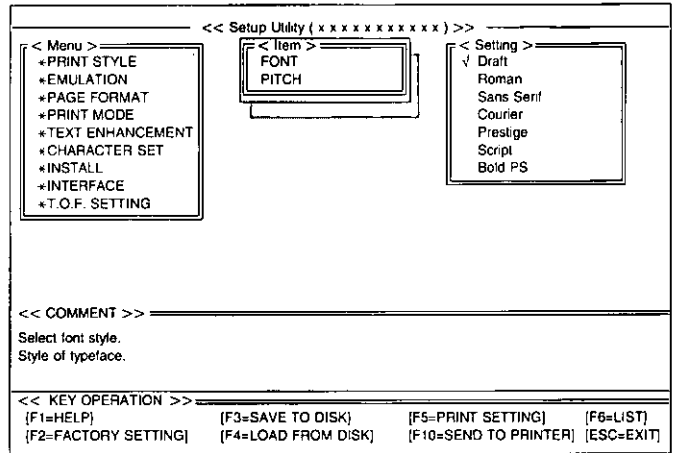
2 Press any key to return to the Main screen.

<< Item >>	<< Setting >>	<< Item >>	<< Setting >>
FONT	: Draft	AUTO LF	: OFF
PITCH	: 10 CPI	BUZZER	: ON
EMULATION	: EPSON	AUTO LOADING	: ON
LINE/INCH	: 6 LPI	SELECTS 20 CPI	: ON
PAGE LENGTH	: 11 inch	PAPER OUT DETECT	: ON
TOP MARGIN	: 0.00 inch	QUIET MODE	: OFF
BOTTOM MARGIN	: 0.00 inch	REVERSE LF/PULL	: OFF
LEFT MARGIN	: 0 column	TEAR OFF	: MANUAL
RIGHT MARGIN	: 136 column	CSF MODE	: OFF
CTR PRINTHEAD	: 42 column	DOWNLOAD	: OFF
GRAPHIC DIRECTION	: UNI DIRECTION	AUTO ON LINE	: ON
TEXT DIRECTION	: BI DIRECTION	INTERFACE	: PARALLEL
PRINT WIDTH	: 13.6 inch	DATA LENGTH	: 8 BITS
BOLD	: OFF	BAUD RATE	: 9600 BPS
DOUBLE HIGH	: OFF	PARITY	: NONE
DOUBLE STRIKE	: OFF	PROTOCOL	: DTR
DOUBLE WIDE	: OFF	SDT	: RBC 128
ITALICS	: OFF	RDT	: SDT + 128
ZERO FONT	: NORMAL	TRACTOR	: 0.33 inch
COUNTRY	: U.S.A.	FRICTION	: 0.33 inch
CHARACTER SET	: ITALIC	CUT SHEET FEEDER	: 0.33 inch
CODE PAGE	: U.S.A.		
AUTO CR/IBM	: OFF		

Ext : Press any key.

Setting Selections on Setup Disk

- 1** In the <Menu> window, press **↑** or **↓**.
 Select the desired menu (ex; PRINT STYLE).
- 2** Press **→**.
 <Item> window will be highlighted.
- 3** Press **↑** or **↓**.
 Highlight the desired item (ex; FONT).
- 4** Press **→**.
 <Setting> window will be highlighted.
- 5** Press **↑** or **↓**.
 Highlight the desired setting (ex; Bold PS).
- 6** Press **Enter**.
 The desired item has been set.
 A ✓ will appear next to the new setting.
- 7** Press **←**.
 <Item> window will be highlighted.
 To make additional changes in the <Item> window, repeat steps 3 to 6.



Initial Setup Mode

8 Press **←**.

<Menu> window will be highlighted.

To make additional changes in the <Menu> window, repeat steps 1 to 6.

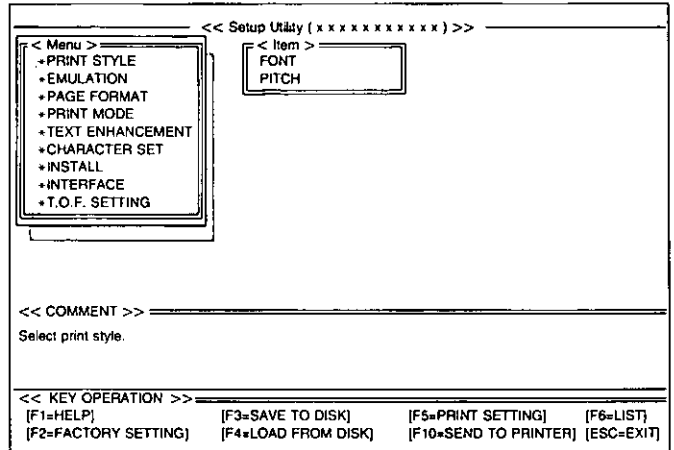
9 When all changes have been made, you may perform any one of the following operations:

Save to Disk—**F3** (P. 36)

Print Settings—**F5** (P. 34)

Display Setting List—**F6** (P. 34)

Send to Printer—**F10** (P. 38)

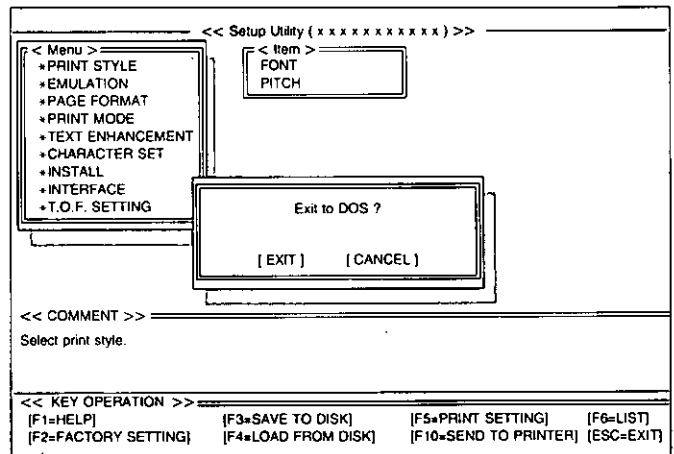


10 After performing one of the previous operations, and with the <Menu> window highlighted, press **ESC**.

11 Press **E** or **C**.

“E”: You have exited the Setup program.

“C”: The display will return to the <Menu> window.



Save to Disk

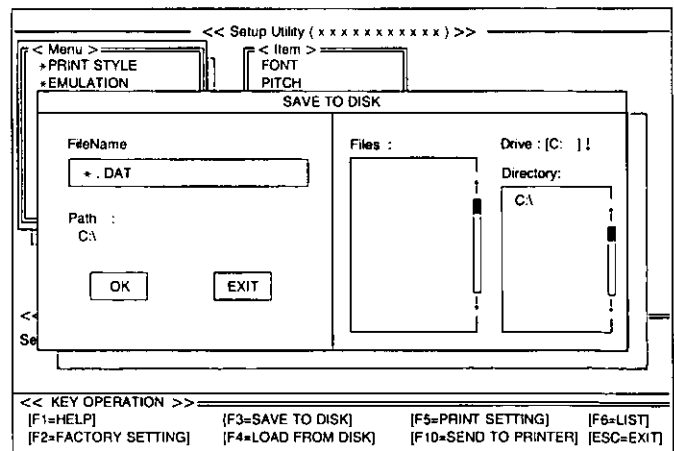
1 Press **F3**.

A Save to Disk window will be displayed.

2 To change Drive, press **TAB** four times and type the letter for the drive you want to use.

To change Directory, press **TAB** fifth time and select the new directory by using **↑** or **↓**, then press **Enter**.

If you do not change the Drive or Directory, proceed to Step 3.



- 3** Press **TAB** repeatedly to move the cursor to the Filename position (*.DAT).

Delete * and enter a file name (up to 8 characters) and press **Enter**.

All the settings will be saved on the disk and the display will return to the Main screen.

Note:

- **SHIFT**+**TAB** performs a reverse tab function and moves the cursor to the previous selection.

If you want to save the setting(s) as a file name previously saved, after entering the same file name, press **Enter** then press **Y**.

“Y”: The current settings will be written over the old settings.

“N”: The display will return to a <Save to Disk> window.

Load from Disk (Recall Settings)

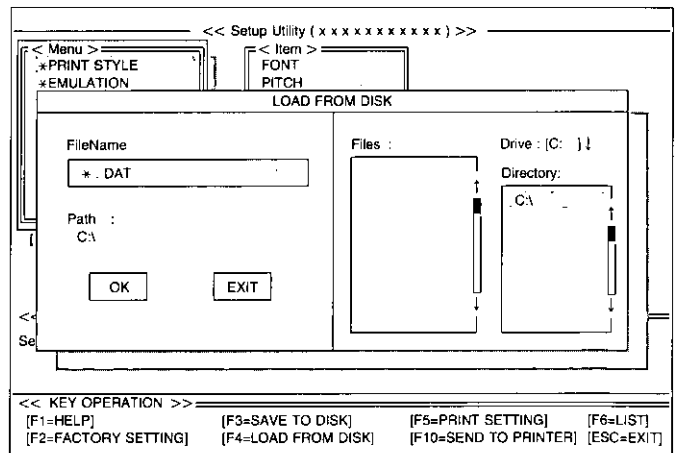
- 1** Press **F4**.

A Load from Disk window will be displayed.

- 2** To change Drive, press **TAB** four times and type the letter for the drive you want to use.
To change Directory, press **TAB** fifth time and select the new directory by using **↑** or **↓**, then press **Enter**.

If you do not change the Drive or Directory, proceed to Step 3.

- 3** Press **TAB** repeatedly to move the cursor to the Files.



Initial Setup Mode

4 Use **↓** or **↑** to highlight your desired file name.

5 Press **Enter**.

All the settings in the file will be recalled. To view them on your screen, press **F6**.

To transfer these settings to your printer, you must perform the Send to Printer operation below.

Send to Printer

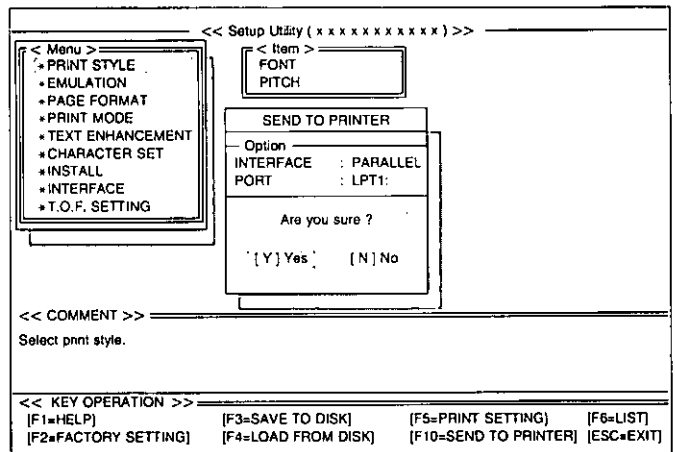
1 Press **F10**.

A Send to Printer window will be displayed.

2 Press **Y** or **N**.

"Y": All the settings will be sent to the printer.

"N": The display will return to the Main screen.



Note:

- When sending the data by Serial interface, change the option items on the display to the settings you desired. (See P. 34 "Print Settings")

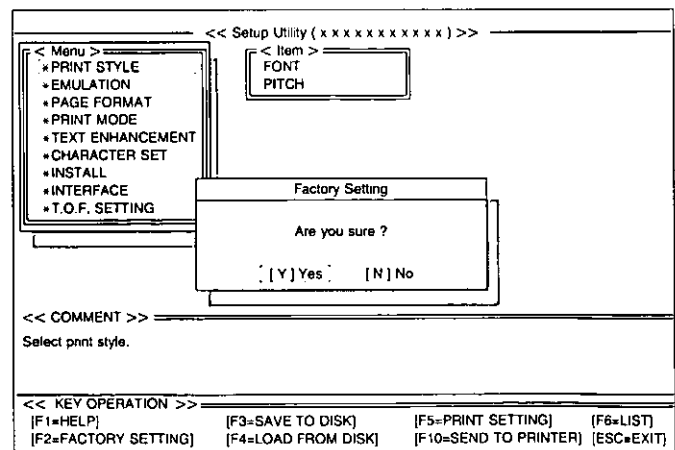
Resetting to Factory Setting

1 Press **F2**.

2 Press **Y** or **N**.

"Y": All the screen settings will be reset to the Factory settings.

"N": The display will return to the Main screen.



3 If **Y** was selected, you may perform one of the following operations:

- Save to Disk—**F3** (P. 36)
- Print Settings—**F5** (P. 34)
- Display Setting List—**F6** (P. 34)
- Send to Printer—**F10** (P. 38)

Help

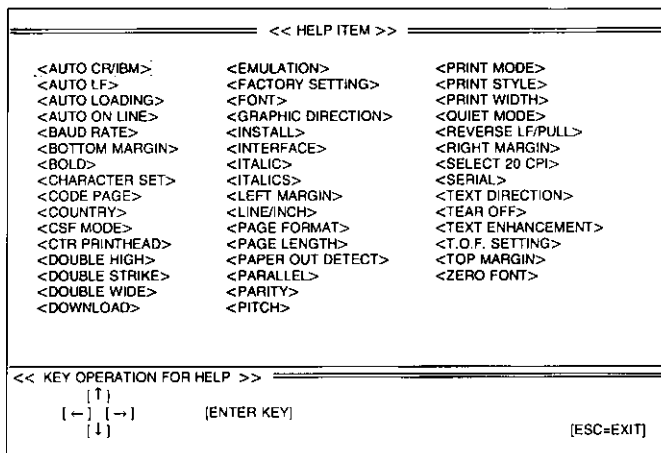
If you cannot remember what a particular function does, a HELP program will display to you the explanations of the functions.

1 Press **F1**.

A Help Item screen will be displayed.

2 Press **←** / **→** / **↑** / **↓**.

Highlight your desired item.
(ex; AUTO CR/IBM)



3 Press **Enter**.

A definition will be displayed.

4 Press **↑** / **↓**.

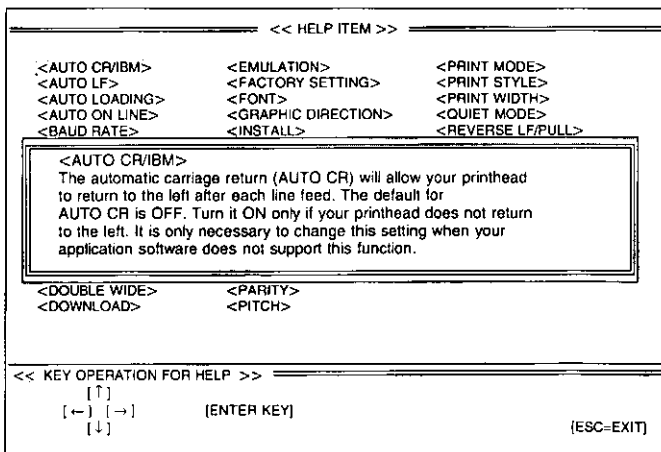
To move to the previous or next Help item without leaving the display.

5 Press **ESC**.

The Help Item screen will be displayed.

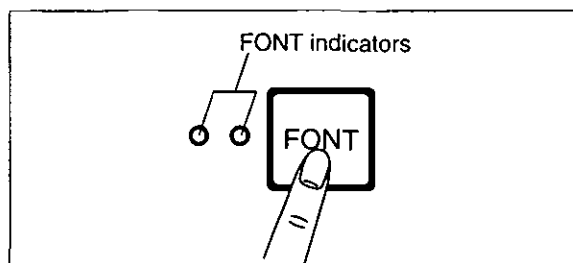
6 Press **ESC**.

The display will return to the Main screen.



Using the Control Panel

Selecting a Character Font



- Press and release **FONT**.

This printer contains resident fonts which are accessible through the Control Panel. You can select any one of the character fonts by pressing the FONT switch on the Control Panel. The combination of FONT indicators indicates the current character font selected, as shown below.

EXAMPLES

○ ○ **FONT** = PROGRAM

◌ ○ **FONT** = *Script*

● ○ **FONT** = Courier

○ ◌ **FONT** = Roman

○ ● **FONT** = Prestige

◌ ● **FONT** = Sans Serif

● ● **FONT** = Bold PS

● = light is lit

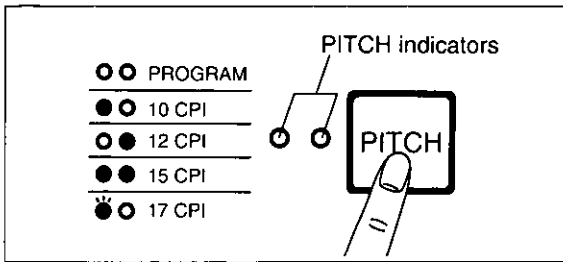
○ = light is out

◌ = light is blinking

Note:

- When the power is turned off, font will reset to default setting. If you want to save a font selection as your default, you may do so by using the Setup Disk. (P. 28)
- You must be in PROGRAM (both FONT indicators are off) to allow your software to control your font selection.

Selecting a Character Pitch



- Press and release **PITCH**.

This printer contains resident pitches which are accessible through the Control Panel. You can select any one of the character pitches by pressing the PITCH switch on the Control Panel. The combination of PITCH indicators indicates the current character pitch selected, as shown below.

EXAMPLES

○ ○ **PITCH** = PROGRAM

● ● **PITCH** = 15 CPI

● ○ **PITCH** = 10 CPI

◐ ○ **PITCH** = 17 CPI

○ ● **PITCH** = 12 CPI

● = light is lit

○ = light is out

◐ = light is blinking

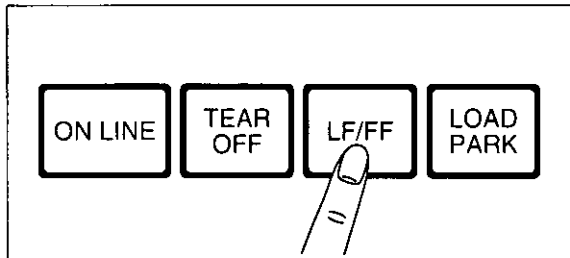
Note:

- When the power is turned off, pitch will reset to default setting. If you want to save a pitch selection as your default, you may do so by using the Setup Disk. (P. 28)
- You must be in PROGRAM (both PITCH indicators are off) to allow your software to control your pitch selection.

Line Feed/Form Feed **LF/FF**

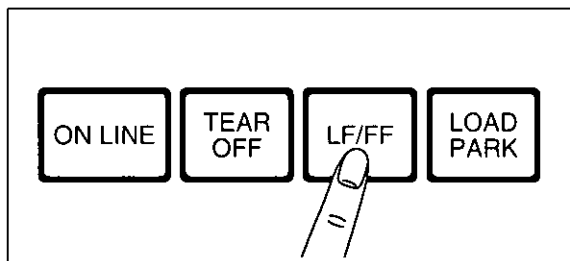
You can adjust the paper position by using the front panel switches when the printer is in the OFF LINE mode or when the printer is not printing in the ON LINE mode.

Line Feed



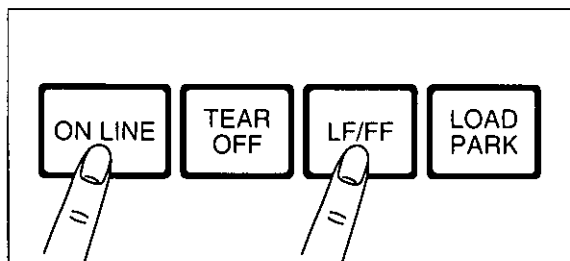
With paper installed, pressing **LF/FF** once advances the paper one line.

Form Feed



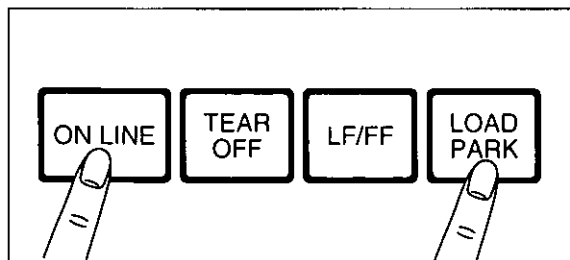
With paper installed, holding **LF/FF** moves the printhead to the center and advances the paper to the top of the next page.

Micro Line Feed



With paper installed, while pressing **ON LINE**, press **LF/FF** once to advance the paper one micro line ($\frac{1}{216}$ ""). Holding the switches will advance the paper continuously until you release the switches. Using the Micro Line Feed within 5" from the top of your paper automatically stores the position as the Top of Form.

Reverse Micro Line Feed



With paper installed, while pressing **ON LINE**, press **LOAD/PARK** once to reverse the paper one micro line ($\frac{1}{216}$ ""). Holding the switches will reverse the paper continuously until you release the switches. Using the Reverse Micro Line Feed within 5" from the top of your paper automatically stores the position as the Top of Form.

Note:

- When pressing **LF/FF**, the amount of paper which is fed is determined by the current setting for lines per inch as specified by the Setup Disk, control panel (Initial Setup Mode) or your application software.
- Reverse Micro Line Feed is not recommended when the paper is fed through the bottom or front in Pull Tractor Mode. Paper may not feed properly and print quality may not be optimum.

Top of Form Function (TOF SET)

This printer has a Top of Form (TOF) function which stores the first print line position and loads the paper to the designated position automatically. The first print line position will be stored even after the power is turned off. Additionally, the printer can store 3 different Top of Form positions depending on the paper feed method [fanfold paper-rear feed (☐), fanfold paper-bottom/front feed (☐)] and single sheets and envelopes-top feed (☐) including the optional Cut Sheet Feeder (KX-P38).

You can adjust the Top of Form position by using the Setup Disk (☞ P. 28~39), or using Micro Line Feed or Reverse Micro Line Feed within 5" from the top of your paper.

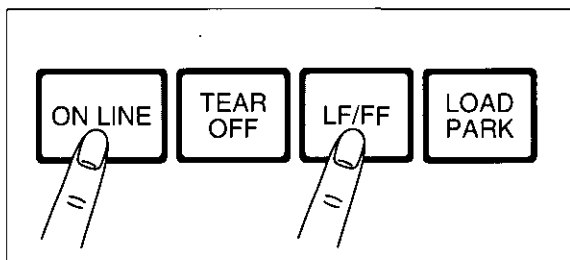
Note:

- Do not rotate the platen knob, otherwise the printer will not be able to count the number of lines.
- When setting TOF for fanfold paper, all adjustments must be made on the first sheet. If you wish to change the setting after advancing additional sheets you must first park then reload the paper.

- 1 If necessary, redefine the page length of the paper you are using through the Setup Disk (☞ P. 28~39), control panel (☞ P. 47~49) or your application software (☞ P. 52~54).**

A page is defined by setting the page length through the Initial Setup mode (via the Setup Disk or through the control panel) or the Software command.

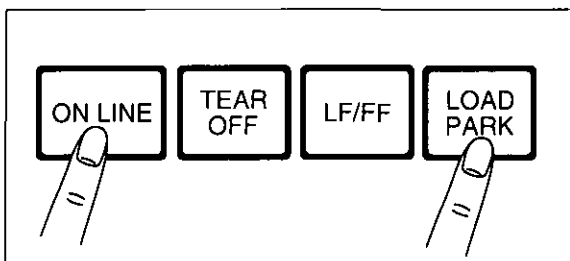
- 2 Micro Line Feed**



While pressing **ON LINE**, press **LF/FF**.

This advances the paper one micro line (1/216"). Holding the switches will advance the paper continuously until you release the switches.

Reverse Micro Line Feed



While pressing **ON LINE**, press **LOAD/PARK**.

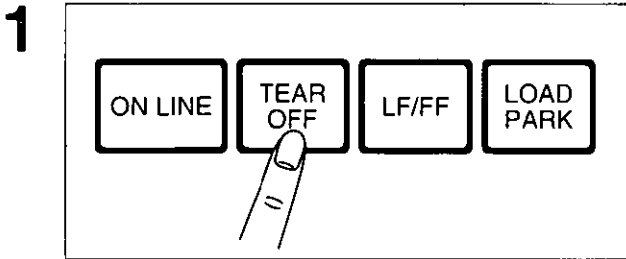
This reverses the paper one micro line (1/216"). Holding the switches will reverse the paper continuously until you release the switches. The printer cannot reverse the paper past the printable area.

- 3 At your desired position, release the switches.**

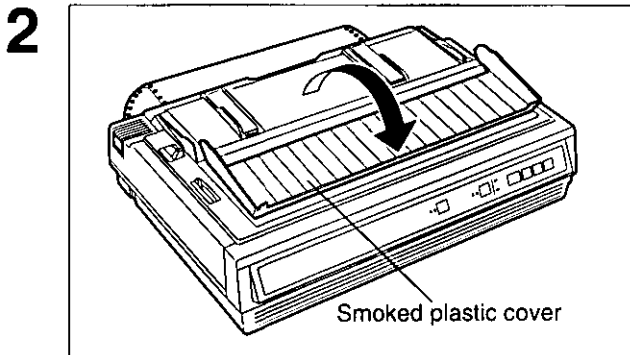
The paper position will be stored automatically as the new Top of Form position.

Tear Off **TEAR OFF**

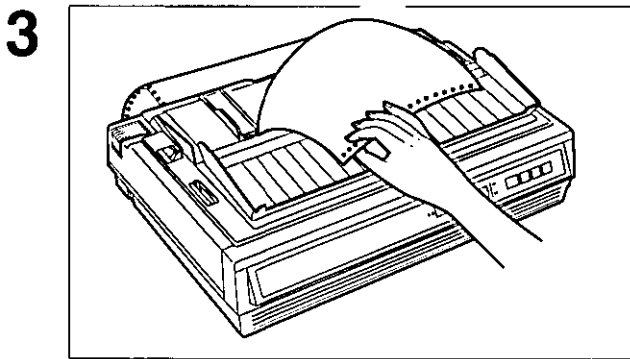
With fanfold paper installed through the rear paper path (available for Push Tractor Mode only), this function allows you to advance your paper to the tear position. After tearing off the page you can return your paper to the first print line by pressing **TEAR OFF** again. If **TEAR OFF** is not pressed a second time, the printer will automatically reverse to the first print line upon receiving data from the computer.



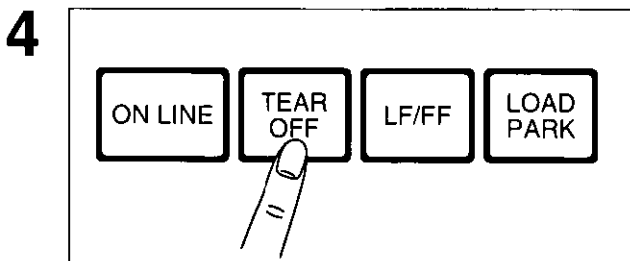
Press **TEAR OFF** to advance the paper to the tear bar.



Fold forward the smoked plastic cover.



Tear off the page.



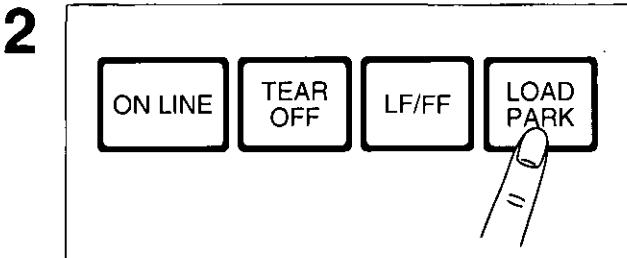
Press **TEAR OFF** to reverse the paper back to the first print line.

5 Fold back the smoked plastic cover.

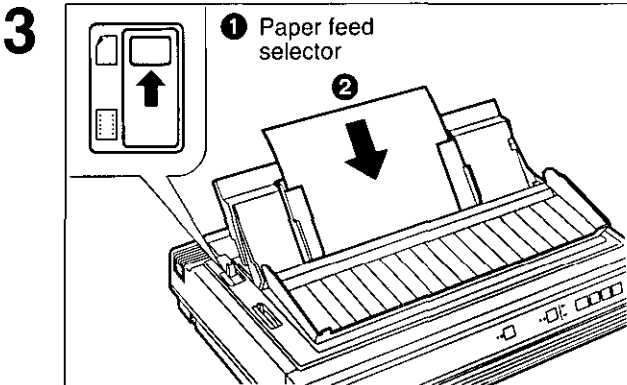
Paper Parking **LOAD/PARK**


This function moves the fanfold paper fed through the rear paper path (Push Tractor Mode) to the park position, enabling you to use single sheets or envelopes without removing or wasting your fanfold paper.

1 Tear off the printed page(s) of the fanfold paper being used.



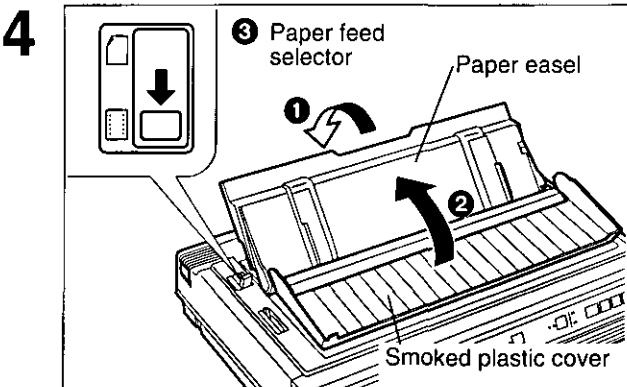
Press **LOAD/PARK** to reverse the fanfold paper to the park position.



1 Move the paper feed selector to “” (Friction Mode).

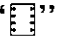
2 Load single sheets or envelopes.
( P. 23 “Single Sheets and Envelopes”)

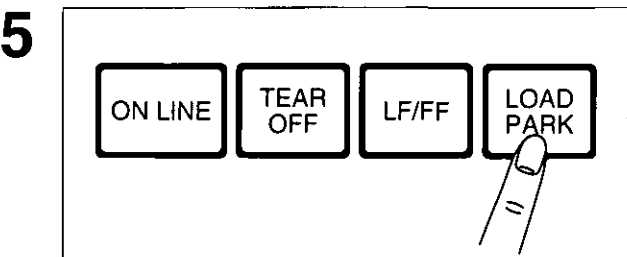
When you are finished printing, remove the sheet (or envelope) from the printer.



1 Lower the paper easel.

2 Fold back the smoked plastic cover.

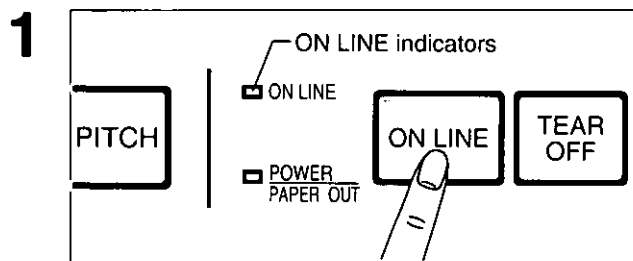
3 Move the paper feed selector to “” (Tractor Mode).



Press **LOAD/PARK** to reload the fanfold paper to the first print line.

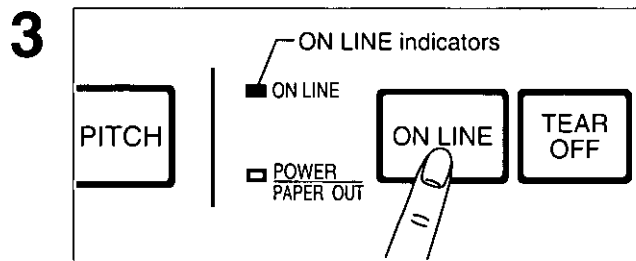
Paper Out Detector

Your printer has a paper out detector. When an out of paper condition occurs, printing stops, the printer goes to the OFF LINE mode, and the PAPER OUT indicator starts blinking. To continue printing to the end of the current page, follow the steps below.



Press **ON LINE** repeatedly until the page is completed.

2 Install the new paper. (☞ P. 16~24)



If the **ON LINE** indicator is not lit, press **ON LINE**.

Note:

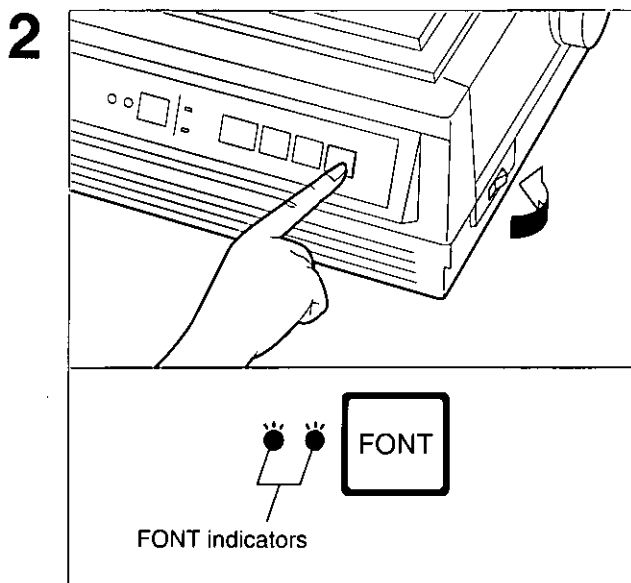
- When PAPER OUT DETECT is set to ON, printing stops at 0.5" from the bottom of the paper.
- The paper out detector can be disabled through the Setup Disk. (☞ P. 30)

Initial Setup Mode

The following features (items) can be set in the Initial Setup mode through the Control Panel; Emulation, Auto Line Feed, Graphic Direction, Page Length and Cut Sheet Feeder Mode if optional KX-P38 is installed. These features can also be set using the Setup Disk (☞ P. 28).

Setting the Printer Setup Mode

1 Load a sheet of paper (☞ P. 16~24), and turn the power off.

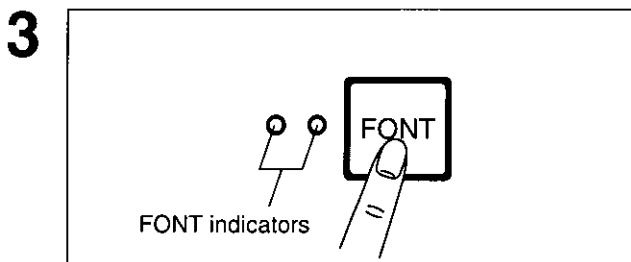


► To enter the Initial Setup mode

While pressing **LOAD/PARK**, turn the power on.

FONT indicators will be blinking.

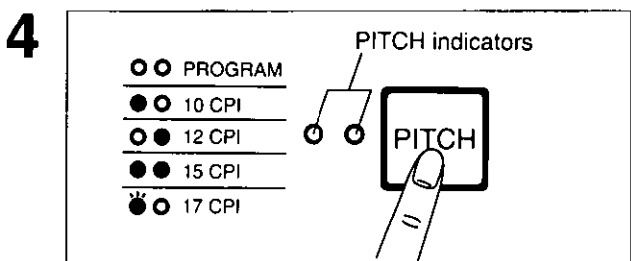
The current settings will be printed automatically.



► Selecting the Item

Press and release **FONT**.

Each time you press **FONT**, you will advance to the next item. Select the desired item according to the status of the FONT indicators (on, off, blinking). (☞ P. 48)



► Setting the Item's status

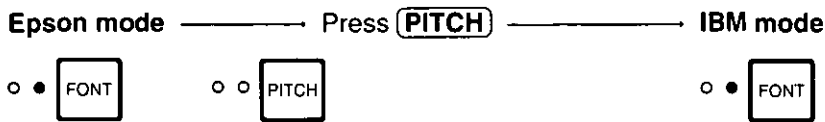
Press and release **PITCH**.

The item's status will change each time you press **PITCH**. (☞ P. 48)

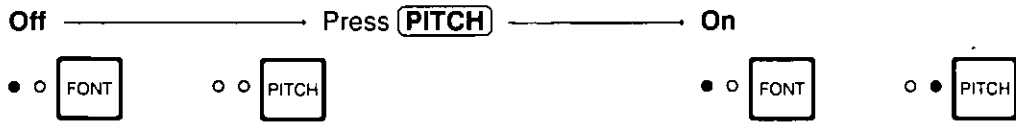
To change additional settings, repeat steps 3 and 4.

Using the Control Panel

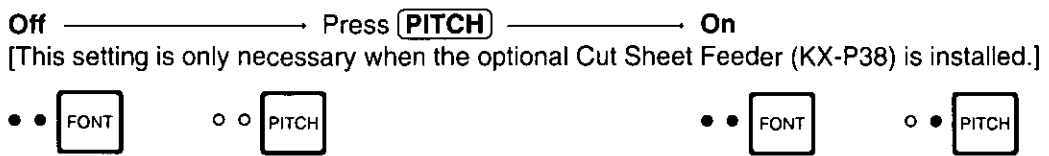
Emulation: Press **FONT** once.



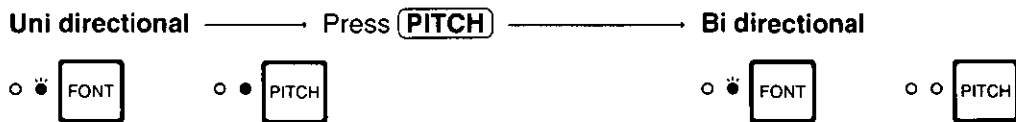
Auto Line Feed: Press **FONT** twice.



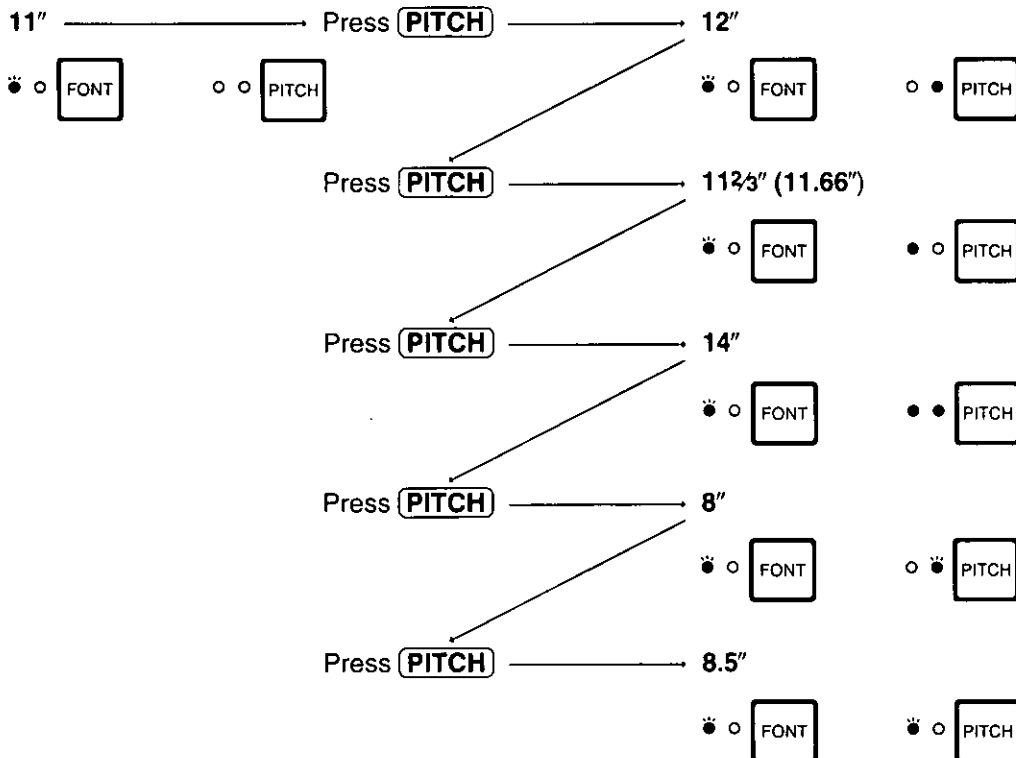
Cut Sheet Feeder Mode: Press **FONT** 3 times.



Graphic Direction: Press **FONT** 4 times.



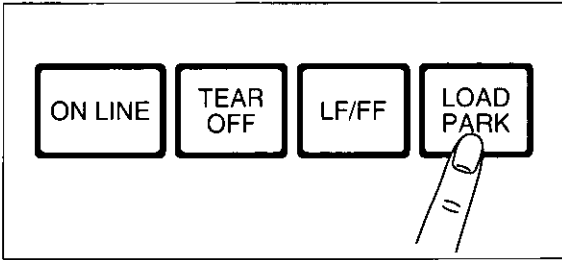
Page Length: Press **FONT** 5 times.



FONT/PITCH indicators condition:

- = light is lit
- = light is out
- (with dot) = light is blinking

5



► To exit the Initial Setup mode

Press **LOAD/PARK**.

FONT indicators will go off and the current conditions will print.

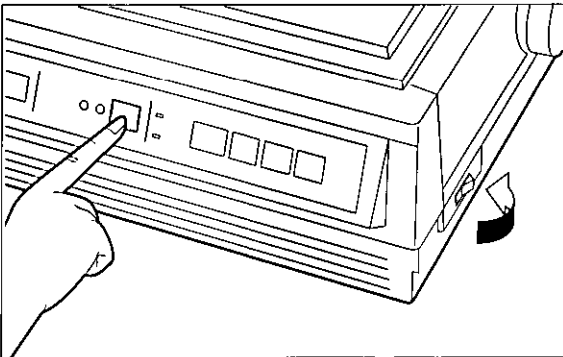
Setting the Serial Setup Mode (Only when the KX-PS14 is installed)

Only when the KX-PS14 (Serial Interface board) is installed, the following items can be set in the Serial Setup mode through the Control Panel.

You can select and change the desired item according to the status of the FONT/PITCH indicators.

1 Load a sheet of paper (☞ P. 16~24), and turn the power off.

2

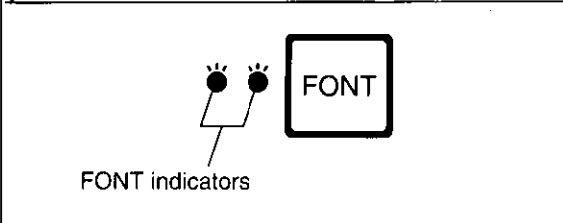


► To enter the Serial Setup mode

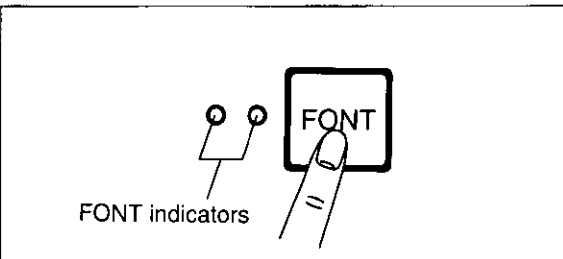
While pressing **PITCH**, turn the power on.

FONT indicators will be blinking.

The current settings will be printed automatically.



3



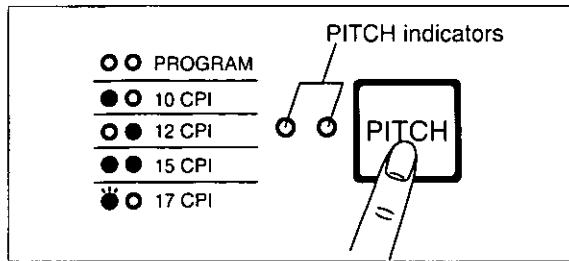
► Selecting the Item

Press and release **FONT**.

Each time you press **FONT**, you will advance to the next item. Select the desired item according to the status of the FONT indicators (on, off, blinking). (☞ P. 50)

Using the Control Panel

4



► Setting the Item's status

Press and release **PITCH**.

The item's status will change each time you press **PITCH**. See the table below to verify desired status.

To change additional settings, repeat steps 3 and 4.

Item	Setting	Press FONT key	FONT indicators	Press PITCH key	PITCH indicators
Print Current Setup Condition	—	—	● ●	—	○ ○
Interface	Parallel	once	○ ●	↓ ↑ *	○ ○
	Serial		○ ●		
Data Length	8 bit	twice	● ○	↓ ↑ *	○ ○
	7 bit		○ ●		
Baud Rate	9600	3 times	● ●	↓ ↓ ↓ *	● ○
	300				○ ○
	600				○ ●
	1200				● ○
	2400				● ●
	4800				○ ●
Parity	None	4 times	○ ●	↓ ↓ ↓ *	○ ○
	Ignore				○ ●
	Odd				● ○
	Even				● ●
Protocol	DTR	5 times	● ○	↓ ↑ *	○ ○
	XON/XOFF				○ ●
S.D.T.	128 byte	6 times	● ●	↓ ↑ *	○ ○
	512 byte				○ ●
R.D.T.	S.D.T.+128 byte	7 times	● ●	↓ ↑ *	○ ○
	S.D.T.+256 byte				○ ●
Signal Polarity	MARK	8 times	○ ○	↓ ↑ *	○ ○
	SPACE				○ ●

FONT/PITCH indicators condition:

● =light is lit ○ =light is out ● =light is blinking

* The items status will change each time you press **PITCH**.

5 ► To exit the Serial Setup mode

Press **LOAD/PARK**.

FONT indicators will go off and the current conditions will print.

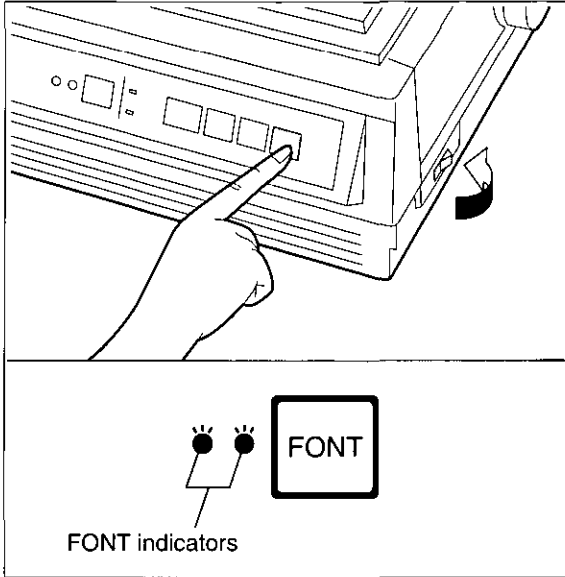
Returning All Current Settings to the Factory Settings

This procedure will reset ALL settings to the original factory settings. This includes those settings made through the Setup Disk.

Follow the instructions below:

If paper is loaded, you will automatically get a printout of the current settings.

1

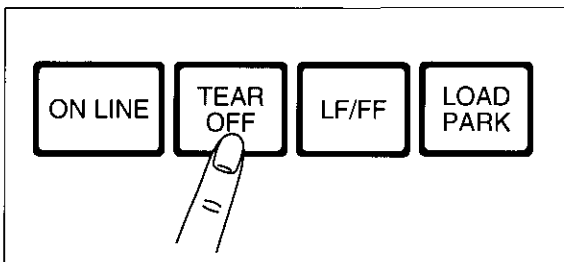


► To enter the Initial Setup mode

While pressing **LOAD/PARK**, turn the power on, then release.

Make sure that FONT indicators are blinking.

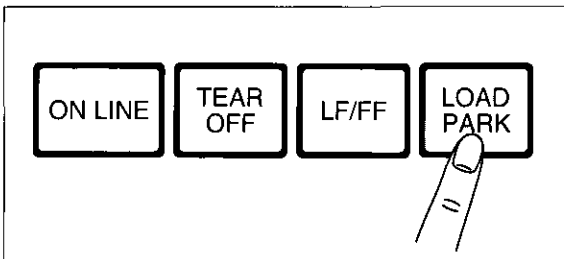
2



Press **TEAR OFF**.

All current settings will be reset to the Factory settings, and a beep will sound.

3



► To exit the Initial Setup mode

Press **LOAD/PARK**.

If paper is installed, a printout will verify the current setting.

Command Reference Program

(Using the Setup Disk)

The Command Reference program allows you to access a detailed explanation of each software command on the screen. Each displayed explanation can be printed out if required.

Before using the Setup Disk, it is recommended that you make a back-up copy and store the original in a safe place.

Note:

- Use the DISKCOPY command of the operating system to make a back-up copy. Refer to your DOS manual for further information.
- You may find it convenient to install the Setup Disk programs directly onto your C Drive, rather than reading them from the Setup Disk each time a change is necessary. Either method is acceptable.

To perform an automatic installation of the Setup Disk files onto your C Drive, refer to page 32.

1 Insert your Setup Disk into either drive A or B.

<For DOS>

2 Type A: (or B:) and press **Enter**.

3 Type CMDREF.

4 Press **Enter**.

5 The first screen is an introduction to the operation of the Setup Disk. Please read through it and press any key to continue. (If your display is monochrome, press "M" key.)

Screen 1 will be displayed.

6 Press **↑** or **↓**.

Select an emulation.

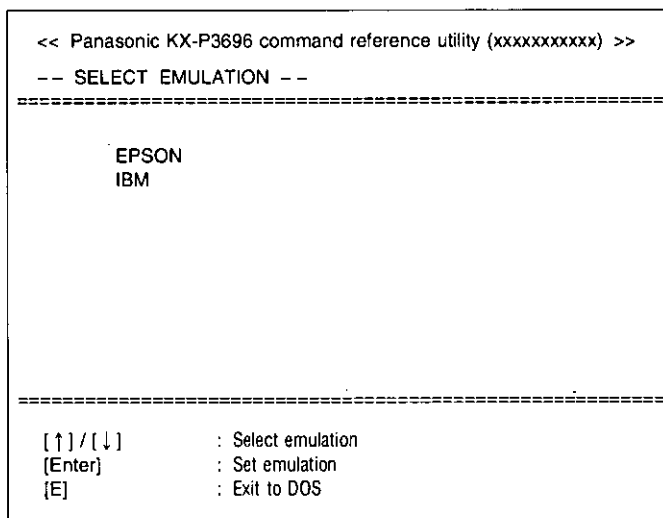
<For WINDOWS>

2 Select **Run** from the File menu.

3 Type A:\CMDREF (or B:\CMDREF).

4 Click **OK** (or press **Enter**).

Screen 1



Note:

- You can proceed through the Command Reference program using a computer mouse or your keyboard. Highlight the desired item and click the left mouse button, or follow the directions on your screen for keyboard operation.
- There is a list of proportional spacing tables after the software commands list. If you want to see a proportional spacing table, select your desired table and press **Enter**.

7 Press **Enter**.

The emulation will be set and screen 2 will be displayed.

Screen 2

```
<< Panasonic KX-P3696 command reference utility (xxxxxxxxxx) >>
-- SELECT COMMAND -- (EPSON)
=====
FONT SELECTION
ESC+'x'+n      Selects print quality
ESC+'k'+n      Selects print font style
ESC+'S'+0      Selects superscript printing
ESC+'S'+1      Selects subscript printing
ESC+'T'        Releases sub/superscript printing

CHARACTER PITCH SELECTION
ESC+'P'        Sets pica pitch (10 cpi) printing
ESC+'M'        Sets elite pitch (12 cpi) printing
ESC+'g'        Sets micron pitch (15 cpi) printing
SI or ESC+SI   Sets compressed pitch (17 cpi) printing
DC2            Releases compressed pitch printing
ESC+'p'+n     Sets/Releases proportional spacing
ESC+'l'+n     Sets certain pitches based upon value of n
=====
[↑]/[↓]       : Select command
[Pg.Up]/[Pg.Down] : Go to previous/next category
[Enter]       : View command description
[Esc]        : SELECT EMULATION mode
[E]          : Exit to DOS                [P] : Print Command List
```

[↑]/[↓]	Moves the cursor one line up/down
[Pg.Up]/ [Pg.Down]	Moves the cursor to the first command of the previous/next item
[Enter]	Displays the explanation of the command
[Esc]	Returns to screen 1
[E]	Exits to DOS
[P]	Prints Command List

If you want to print the command list with parameters, press **P** and press **Y**.

“Y”: The command list with parameters will be printed.

“N”: The display will return to screen 2.

Screen 3

```
<< Panasonic KX-P3696 command reference utility (xxxxxxxxxx) >>
-- SELECT COMMAND -- (EPSON)
=====
FONT SELECTION
ESC+'x'+n      Selects print quality
ESC+'k'+n      Selects print font style
ESC+'S'+0      Selects superscript printing
ESC+'S'+1      Selects subscript printing
ESC+'T'        Releases sub/superscript printing

CHARACTER PITCH SELECTION
ESC+'P'        Sets pica pitch (10 cpi) printing
ESC+'M'        Sets elite pitch (12 cpi) printing
ESC+'g'        Sets micron pitch (15 cpi) printing
SI or ESC+SI   Sets compressed pitch (17 cpi) printing
DC2            Releases compressed pitch printing
ESC+'p'+n     Sets/Releases proportional spacing
ESC+'l'+n     Sets certain pitches based upon value of n
=====
Print command list? (Y / N)
                    Yes    No
```

8 Press **Pg.Up** / **Pg.Down** or **↑** / **↓**.

Select a command.

Command Reference Program (Using the Setup Disk)

9 Press **[Enter]**.

The screen 4 will show the detailed explanation of the command.

If you want to exit the Command Reference program, go to step 10.

Screen 4

```

<< Panasonic KX-P3696 command reference utility (xxxxxxxxxx) >>
ESC+'x'+n          Selects print quality          [EPSON]
=====
<PRINT QUALITY>
Selects print quality.

Name:   ESC      x      n
Dec.:   27      120    n
Hex.:   1B      78     n

Comments:
*Near letter quality characters are printed with two passes of the
  printhead. Double printing, therefore by ESC+'G' is ineffective in
  near letter quality printing.
*The following values of n can be used:
  n=0 : Draft font
  n=1 : NLQ font
                                           --MORE--
=====
[↑]/[↓]          : Text scroll-down/up
[Pg.Up]/[Pg.Down] : Go to previous/next command
[Esc]             : SELECT COMMAND mode
[Enter]          : Print current command description
[E]              : Exit to DOS
    
```

[↑]/[↓]	Scrolls the text one line down/up
[Pg.Up]/ [Pg.Down]	Displays the explanation of previous/next command
[Enter]	Prints the detailed explanation of the command
[Esc]	Returns to screen 2
[E]	Exits to DOS

Screen 5

```

<< Panasonic KX-P3696 command reference utility (xxxxxxxxxx) >>
ESC+'x'+n          Selects print quality          [EPSON]
=====
<PRINT QUALITY>
Selects print quality.

Name:   ESC      x      n
Dec.:   27      120    n
Hex.:   1B      78     n

Comments:
*Near letter quality characters are printed with two passes of the
  printhead. Double printing, therefore by ESC+'G' is ineffective in
  near letter quality printing.
*The following values of n can be used:
  n=0 : Draft font
  n=1 : NLQ font
                                           --MORE--
=====
Print current command description? (Y / N)
      Yes           No
    
```

If you want to print this explanation, press **[Enter]** again and press **[Y]**.

“Y”: The explanation will be printed.

“N”: The display will return to screen 3.

10 Press **[E]**.

You have exited the Command Reference program.

Periodic Maintenance/Troubleshooting

Periodic Maintenance

The printer does not require routine maintenance. However, reasonable care of the printer will extend its life. The following periodic measures are recommended:

- Cleaning the unit is the most important action the user can perform. The frequency of cleaning is dependent upon the environment.
 - Turn the power OFF.
 - Clean the case and covers with a soft cloth. Use any mild commercial cleaner on the cloth, do not spray directly on to the printer.
 - Open the top cover and remove the smoked plastic cover. Vacuum or dust the inside area of the unit. Be very careful not to damage the printhead ribbon cable or the carriage drive belt.
Caution: The printhead may be hot, use caution when cover is open.
 - The platen should be cleaned with denatured alcohol only.
 - The carriage guide bar can be lubricated with a very light oil. Contact your Authorized Panasonic Service Center for advice on lubrication.

Ribbon Cassette

Note: If the ribbon begins to catch, snag, or tear from the printhead, your printer requires servicing.

Troubleshooting

Most problems associated with the printer can be traced to improper setup, installation, or cabling. The following table will assist you in identifying and correcting some of the more common problems. If you need additional help, contact the store from which the unit was purchased or the Panasonic technical support number found on the inside back cover of this manual.

Symptom	Possible Cause	Probable Solution
Ink smears	Head gap lever is not in proper position	Move the lever toward the (+) position until ink doesn't smear (☞ P. 10)
Printout is faint	Head gap lever is not in proper position	Adjust the lever to the proper position (☞ P. 10)
Printhead moves but there is no printing	Ribbon is not installed correctly	Re-insert ribbon (☞ P. 12~14)
Paper out detector inoperative	PAPER OUT DETECT is OFF	Set PAPER OUT DETECT to ON (☞ P. 30, 32~39)
Paper slips around platen	Paper feed selector is set to "☐"	Set selector to "☐"
Printer does not power up	No AC power	Check power cord (☞ P. 11)
Power is on but printer does not print	Printer is not ON LINE	Press ON LINE
	Interface cable is not properly connected	Secure connection (☞ P. 11)
	Out of paper	Install new paper (☞ P. 16~24, 46)
	Printhead has become overheated	Allow the printhead some time to cool down. The printer will automatically resume printing
	Smoked plastic cover is open	Ensure cover is completely closed

(Continued)

Troubleshooting

Symptom	Possible Cause	Probable Solution
Carriage stops moving, all indicators start blinking	Path of printhead is blocked	Turn the power off, clear the path. Turn the power back on to resume printing
Paper wrinkles when using tractor feed	No reverse tension on paper	Set paper supply lower than printer
Buzzer sounds when installing single sheet	Paper feed selector is set to "1"	Set paper feed selector to "0"
Printer cannot load single sheet through the top	CSF MODE is ON	Set CSF MODE to OFF when not using cut sheet feeder (☞ P. 30, 32~39, 47~49)
	Paper feed selector is set to "1"	Set paper feed selector to "0"
Cut Sheet Feeder option (KX-P38) is installed but does not work	CSF MODE is OFF	Set CSF MODE to ON (☞ P. 30, 32~39, 47~49)
Unexpected characters appear in printing	EMULATION is set incorrectly	Check printer driver of your software package and set EMULATION accordingly (☞ P. 28, 32~39, 47~49)
32K Buffer Chip option (KX-P44) is installed but cannot download	DOWNLOAD is OFF	Set DOWNLOAD to ON (☞ P. 30, 32~39)
Printout is double-spaced	AUTO LF is ON	Set AUTO LF to OFF (☞ P. 30, 32~39, 47~49)
Keeps printing on the same line	Computer is not sending a LF command	Set AUTO LF to ON (☞ P. 30, 32~39, 47~49)
Wrong character set prints	Wrong character set is selected	Set the character set as required (☞ P. 29, 32~39)
Cannot print ASCII characters with code above 127	Data length is set incorrectly	Set data length as required (☞ P. 31, 32~39, 49~50)
Fanfold paper is jamming	Paper not installed correctly in tractor	Set paper feed selector to "0" and rotate platen knob to easily remove jammed paper Reinstall paper correctly into tractor (☞ P. 16~22)
KX-PS14 (serial interface board) is installed but cannot print	I/F is set to PARALLEL	Set I/F to SERIAL (☞ P. 31, 49~50)
Cannot use parallel interface when installing serial interface board	KX-PS14: I/F is set to SERIAL	Set I/F to PARALLEL (☞ P. 31, 49~50)
	KX-PS13: Parallel interface cannot be used when a KX-PS13 is installed	Remove KX-PS13 when using parallel interface

Initialization and Hex Dump

Initialization

The printer is initialized under the following conditions:

- the AC power is turned on
- the PRIME signal is received
- the RESET PRINTER command is received
- the clear buffer function is used

When the printer is initialized, the following conditions are set:

- the print buffer is cleared
- the receive buffer is cleared (not cleared by RESET PRINTER command)
- the download character buffer is cleared (not cleared by PRIME signal in IBM Proprinter X24E mode or by RESET PRINTER command)
- horizontal tabs are set every 8 columns
- vertical tab settings are cleared
- all modes set by control and escape commands will be cleared
- present form position is designated as top of form
- the Self Test mode is cleared
- the Control Panel settings are read and set
- Control Panel settings are not changed by PRIME signal or RESET PRINTER command*
- the printhead goes to the home position

*Some software packages send PRIME signal at the beginning of their programs. Print modes set by the Control Panel will not change.

User Clear Function

This function initializes the printer from the Control Panel. This feature is very useful when you want to clear the receive buffer (information recently sent from the computer and is currently printing) without changing the Control Panel settings.

- 1 Press **ON LINE** to stop the printing and enter the OFF LINE mode.
- 2 While pressing **ON LINE**, press **FONT** to clear the data in the receive buffer.
- 3 Press **ON LINE** to re-enter the ON LINE mode.

Hex Dump

In this mode, all data received from the computer is printed in hex code instead of the normal ASCII characters. Function codes for the printer (CR, LF, HT, etc.) are not executed. This mode is very useful to debug programs.

To enter the Hex Dump mode:

While pressing **FONT**, turn the power on.

To release the Hex Dump mode:

Turn the power off, then back on.

Printer Specifications

Power requirements:	Refer to the nameplate located on the rear of the printer.																																															
Frequency:																																																
Current:																																																
Interface:	Centronics parallel RS-232C/Serial interface board [KX-PS14, KX-PS13] (option)																																															
Print fonts:	3 Draft (Pica, Elite, Micron) 6 Near Letter Quality (Roman, Sans Serif, Courier, Prestige, Script, Bold PS)																																															
Software emulation:	Epson FX-1170 IBM Proprinter IIIXL																																															
Buffer:	13K (standard), additional 32K (optional KX-P44)																																															
Character sets:	96 ASCII characters, 96 Italic ASCII characters, 33 International characters—14 countries & LEGAL Set 38 Multilingual characters, 158 IBM-PC special characters																																															
Dot configuration:	<table border="0"> <tr> <td colspan="5">1/84 inch (0.3 mm) dot diameter</td> </tr> <tr> <td></td> <td></td> <td>Draft</td> <td colspan="2">NLQ</td> </tr> <tr> <td>Matrix</td> <td>(Hor. x Ver.)</td> <td>9 x 9</td> <td colspan="2">18 x 18</td> </tr> <tr> <td>Dot pitch</td> <td>(Hor.)</td> <td>1/120"</td> <td colspan="2">1/240"</td> </tr> <tr> <td></td> <td></td> <td>(0.21 mm)</td> <td colspan="2">(0.11 mm)</td> </tr> <tr> <td></td> <td>(Ver.)</td> <td>1/72"</td> <td colspan="2">1/144"</td> </tr> <tr> <td></td> <td></td> <td>(0.35 mm)</td> <td colspan="2">(0.18 mm)</td> </tr> </table>				1/84 inch (0.3 mm) dot diameter							Draft	NLQ		Matrix	(Hor. x Ver.)	9 x 9	18 x 18		Dot pitch	(Hor.)	1/120"	1/240"				(0.21 mm)	(0.11 mm)			(Ver.)	1/72"	1/144"				(0.35 mm)	(0.18 mm)										
1/84 inch (0.3 mm) dot diameter																																																
		Draft	NLQ																																													
Matrix	(Hor. x Ver.)	9 x 9	18 x 18																																													
Dot pitch	(Hor.)	1/120"	1/240"																																													
		(0.21 mm)	(0.11 mm)																																													
	(Ver.)	1/72"	1/144"																																													
		(0.35 mm)	(0.18 mm)																																													
Maximum number of characters per line (cpl):	<table border="0"> <tr> <td>Font</td> <td colspan="3">Print line size: 8" / 13.6"</td> </tr> <tr> <td>Pica [10 cpi (character per inch)]</td> <td colspan="3">80 / 136 cpl</td> </tr> <tr> <td>Elite (12 cpi)</td> <td colspan="3">96 / 163 cpl</td> </tr> <tr> <td>Micron (15 cpi)</td> <td colspan="3">120 / 204 cpl</td> </tr> <tr> <td>Compressed (17 cpi)</td> <td colspan="3">137 / 233 cpl</td> </tr> <tr> <td>Elite compressed (20 cpi)</td> <td colspan="3">160 / 272 cpl</td> </tr> <tr> <td>Pica elongated (5 cpi)</td> <td colspan="3">40 / 68 cpl</td> </tr> <tr> <td>Elite elongated (6 cpi)</td> <td colspan="3">48 / 81 cpl</td> </tr> <tr> <td>Micron elongated (7.5 cpi)</td> <td colspan="3">60 / 102 cpl</td> </tr> <tr> <td>Compressed elongated (8.5 cpi)</td> <td colspan="3">68 / 116 cpl</td> </tr> <tr> <td>Elite compressed elongated (10 cpi)</td> <td colspan="3">80 / 136 cpl</td> </tr> </table>				Font	Print line size: 8" / 13.6"			Pica [10 cpi (character per inch)]	80 / 136 cpl			Elite (12 cpi)	96 / 163 cpl			Micron (15 cpi)	120 / 204 cpl			Compressed (17 cpi)	137 / 233 cpl			Elite compressed (20 cpi)	160 / 272 cpl			Pica elongated (5 cpi)	40 / 68 cpl			Elite elongated (6 cpi)	48 / 81 cpl			Micron elongated (7.5 cpi)	60 / 102 cpl			Compressed elongated (8.5 cpi)	68 / 116 cpl			Elite compressed elongated (10 cpi)	80 / 136 cpl		
Font	Print line size: 8" / 13.6"																																															
Pica [10 cpi (character per inch)]	80 / 136 cpl																																															
Elite (12 cpi)	96 / 163 cpl																																															
Micron (15 cpi)	120 / 204 cpl																																															
Compressed (17 cpi)	137 / 233 cpl																																															
Elite compressed (20 cpi)	160 / 272 cpl																																															
Pica elongated (5 cpi)	40 / 68 cpl																																															
Elite elongated (6 cpi)	48 / 81 cpl																																															
Micron elongated (7.5 cpi)	60 / 102 cpl																																															
Compressed elongated (8.5 cpi)	68 / 116 cpl																																															
Elite compressed elongated (10 cpi)	80 / 136 cpl																																															
Printing speed [characters per second (cps)]:	<table border="0"> <tr> <td></td> <td>Micron</td> <td>Elite</td> <td colspan="2">Pica</td> </tr> <tr> <td>Draft</td> <td>500 cps</td> <td>400 cps</td> <td colspan="2">333 cps</td> </tr> <tr> <td>NLQ</td> <td>67 cps</td> <td>80 cps</td> <td colspan="2">67 cps</td> </tr> </table>					Micron	Elite	Pica		Draft	500 cps	400 cps	333 cps		NLQ	67 cps	80 cps	67 cps																														
	Micron	Elite	Pica																																													
Draft	500 cps	400 cps	333 cps																																													
NLQ	67 cps	80 cps	67 cps																																													
Printing direction:	Uni-directional / Bi-directional (user selectable)																																															
Line feed time:	Approx. 76 msec [with 1/8 inch (4.2 mm) line feeding]																																															
Paper feed:	Push/Pull (user selectable) tractor feed (with fanfold paper) Friction feed (with single sheets or envelopes)																																															
Noise level:	Less than 55 dB(A) in Normal Mode Less than 52 dB(A) in Quiet Mode																																															

(Continued)

Printer Specifications

Operating environment:	Temperature: 10°C~35°C (50°F~95°F) Humidity: 20~80% RH (Please allow the printer to stabilize at room temperature within the operating temperature range before operation)
Power consumption:	Max—150 W Stand by—16 W Self Test—60 W
Storage environment:	Temperature: -20°C~60°C (-4°F~140°F) Humidity: 10~90% RH
Head service life:	Approx. 200 million strokes in DRAFT mode
Ribbon:	Endless fabric ribbon Black ribbon cassette KX-P170: Life expectancy (in DRAFT mode/rolling ASCII) Approx. 5 million characters
Detectors:	Paper out detector Overheat detector Overload detector Cover open sensor
Dimensions:	590 (W)×407 (D)×172 (H) mm {23.2"×16.0"×6.8"}
Mass {Weight}:	Approx. 14.1 kg {31 lbs}

Paper Specifications

Paper which may be used with this unit must be within the specifications provided below.

Fanfold Paper

Width: 4~15.5 inches (102~394 mm)

Quality and number of sheets:

Type of paper	Sheets	Weight			
		lbs		g/m ²	
		push	pull	push	pull
Fine-quality paper	1	16~24	14~24	60~90	53~90
Non-carbon	2~5	11~14 (17*)		41~53 (64*)	
Multi-layered with carbon	3	11~14 (17*)		41~53 (64*)	

(*only for the last sheet)

Note:

- When using multipart fanfold paper especially in environments that have very high or low temperature and/or humidity, we recommend the use of the bottom feed pull mode to optimize paper handling and print quality.
- To insure optimum print quality, 16~22 lbs (60~82.5 g/m²) is recommended for graphic printing.
- In multi-layered paper with carbon, the carbon is equivalent to a sheet of paper.
- "Weight in pounds" represents the weight of 500 [17×22 inches (432×559 mm)] sheets.
- The printer will handle multipart forms up to 0.014 inch (0.36 mm) thick. Up to 5 copies of 14 lb. chemical release paper can be used.

Single Sheet

Width: 4~16.5 inches (102~420 mm)

Height: 5~14.3 inches (127~363 mm)

Weight in pounds (g/m²): 14~24 lbs (53~90 g/m²)

Note:

- Paper should be within operating temperature and humidity ranges at least 24 hours prior to use.
- Due to letter head varying in paper weight and construction, we cannot guarantee print quality and paper handling for all types.

Envelope

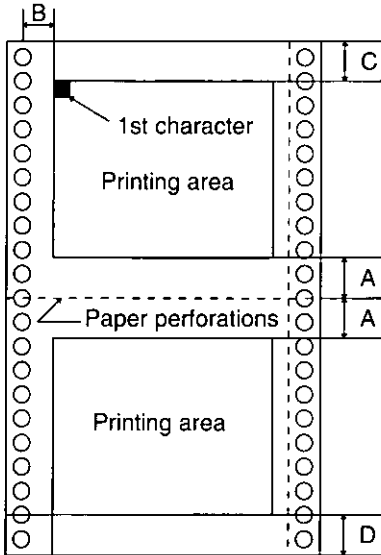
#6 and #10 size envelopes are recommended. Since envelopes vary in size, paper weight and construction, we cannot guarantee print quality and paper handling for all types of envelopes.

Note:

- To optimize print quality, printing should not occur in areas where the edges overlap.

Printing Area

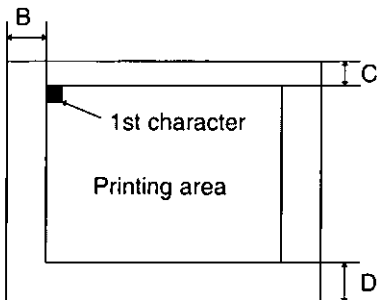
Fanfold paper



	Push	Pull
A	1" (25.4 mm)	
B	0.7" (17.8 mm)	
C	0.33" (8.38 mm)	5.7" (144.8 mm)
D	1" (25.4 mm)	

- A:** Value A indicates the area near the paper perforations where the quality may not be optimum.
- B:** Value B indicates the minimum distance between the sprockets and first printable character. (When the left tractor is set on the left end and the margin is set to 0.)
- C:** Value C indicates the area from the top edge of the paper to the top of the first printed character.
- D:** Value D indicates the position where paper out is detected and printing may not be optimum.

Single sheet and Envelope



	Single sheet and Envelope
B	1.5" (38 mm)
C	0.33" (8.38 mm)
D	1" (25.4 mm)

- B:** Value B indicates the minimum distance between the edge of the paper and the first printable character. (When the left paper guide is set to the left end and the margin is set to 0.)
- C:** Value C indicates the area from the top edge of the paper to the top of the first printed character.
- D:** Value D indicates the position where paper out is detected and printing may not be optimum. (When printing on envelopes, do not print on area where edges overlap. Print quality may not be optimum.)

Interfacing

Parallel Interfacing

A method of transferring data from a computer to a printer through a parallel interface based on the Centronics Standard.

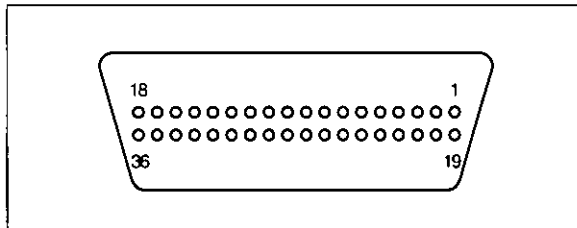
Specifications:

- data transfer speed: 1000 cps minimum
- synchronization: external STROBE pulse
- logic levels: TTL (Transistor-Transistor-Logic) levels
- handshaking: BUSY and ACK signals
- connector type: 57-30360 (AMPHENOL) or equivalent
- cable: use a shielded cable (6'5" / 1.95 meters) or less in length.

When the printer is processing data, the BUSY signal is high. The printer will not accept new data from the computer. After the processing is completed, the BUSY signal goes low. (The BUSY signal is also high when the printer is OFF LINE.) When the busy signal occurs, the ACK signal goes low indicating to the computer that the data has been processed and the printer is ready to accept more data. This handshaking routine occurs each time a character is sent to the printer.

	BUSY	SLCT	PO	ERROR
ON LINE	LOW	HIGH	LOW	HIGH
OFF LINE	HIGH	LOW	LOW	LOW
PAPER OUT	HIGH	LOW	HIGH	LOW

Printer status signals



Parallel interface connector (printer side)

Signal pin	Return side pin	Signal	Direction
1	19	STB	Input
2	20	DATA 1	
3	21	DATA 2	
4	22	DATA 3	
5	23	DATA 4	
6	24	DATA 5	
7	25	DATA 6	
8	26	DATA 7	
9	27	DATA 8	Output
10	28	ACK	
11	29	BUSY	
12		PO	

Signal pin	Return side pin	Signal	Direction
13		SLCT	Output
14		AUTO FEED XT	Input
15			
16		SG	
17		FG	
18		+5 V	Output
31	30	PRIME	Input
32		ERROR	Output
33			
34			
35			
36		SLCT IN	Input

Pin Configuration (Parallel)

Connector pin signals

STB...STROBE

- This is a synchronizing input signal to read data into the printer.
- This signal is normally high. Data is read in when it is low.

DATA 1–DATA 8

- These are the input signals which carry the 8 data bits of information.
- The signal is read in synchronization with the STROBE pulse. A high level indicates a logical “1”.

ACK...ACKNOWLEDGE

- This is an output signal to the computer indicating that the printer is ready to receive the next data. When the condition becomes true, the signal goes low.
- The ACK signal is automatically sent whenever the printer is switched ON LINE and the BUSY signal drops from high to low.

BUSY

- This output signal indicates the status on which the printer cannot receive data.
- The signal is high under the following conditions:
 1. receive buffer full
 2. printer is processing data
 3. printer is OFF LINE
 4. printer is in an error condition

PO...PAPER OUT

- This output signal indicates the absence of paper and goes high during a “Paper Out” condition.

SLCT...SELECT

- This output signal is high in the ON LINE mode and low when OFF LINE.
- The printer enters the ON LINE mode:
 1. when the printer is turned on
 2. when PRIME is received
 3. when the RESET command is received
 4. when the ON LINE switch is pressed
- The printer enters the OFF LINE mode:
 1. when the printer is out of paper
 2. when the printer is switched OFF LINE

AUTO FEED XT (AFXT)

- While this input signal is low, one line feed (LF) command will be added to each carriage return (CR).
- Auto LF setting in the Function mode can alter the response by the printer to an AFXT signal. If auto LF is ON, the printer will perform a CR+LF regardless of the level of the AFXT signal. When auto LF is OFF, automatic action is disabled.

SG...SIGNAL GROUND

- The twisted pair return wires (pins 19~30) are connected to signal ground.

FG...FRAME GROUND

- Frame ground is the same as chassis ground.

+5 V

- This is for evaluation only. It should not be used to supply power for external equipment.

PRIME

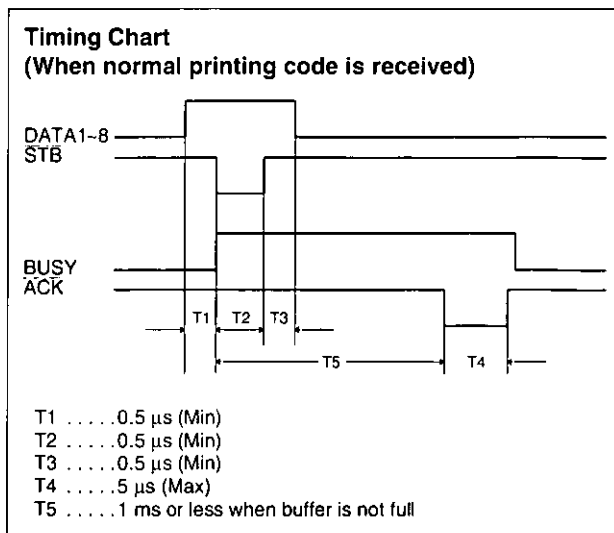
- This input signal is normally high and goes low to reset the printer. It can be received anytime during printer operation.

ERROR

- This output signal is normally high, and goes low when an error occurs. An error condition can be caused by:
 1. a “Paper Out” condition
 2. the printer is OFF LINE
 3. an overload condition exists

SLCT IN

- This input signal is normally low, and goes high when using the Setup Disk.



Timing Diagram

Character Set Tables

Epson Italic Character Set (USA)

Dec.	0	16	32	48	64	80	96	112	128	144	160	176	192	208	224	240	
Hex	0	1	2	3	4	5	6	7	8	9	A	B	C	D	E	F	
0	0	NUL		SP	0	1	2	3	4	5	6	7	8	9	0	1	
1	1		DC1	!	1	A	Q	a	q	DC1	!	1	A	Q	a	q	
2	2		DC2	"	2	B	R	b	r	DC2	"	2	B	R	b	r	
3	3		DC3	#	3	C	S	c	s	DC3	#	3	C	S	c	s	
4	4		DC4	\$	4	D	T	d	t	DC4	\$	4	D	T	d	t	
5	5			%	5	E	U	e	u		%	5	E	U	e	u	
6	6			&	6	F	V	f	v		&	6	F	V	f	v	
7	7			'	7	G	W	g	w		'	7	G	W	g	w	
8	8	BS	CAN	(8	H	X	h	x	BS	CAN	(8	H	X	h	x
9	9	HT	EM)	9	I	Y	i	y	HT	EM)	9	I	Y	i	y
10	A	LF		*	:	J	Z	j	z	LF		*	:	J	Z	j	z
11	B	VT	ESC	+	:	K	[k]	VT	ESC	+	:	K	[k]
12	C	FF		,	<	L	^	l	^	FF		,	<	L	^	l	^
13	D	CR		-	=	M	^	m	^	CR		-	=	M	^	m	^
14	E	SO		.	>	N	^	n	^	SO		.	>	N	^	n	^
15	F	SI		/	?	O	-	o	DEL	SI		/	?	O	-	o	NUL

Epson Graphic Character Set 2 (USA)

PC437

Dec.	0	16	32	48	64	80	96	112	128	144	160	176	192	208	224	240	
Hex	0	1	2	3	4	5	6	7	8	9	A	B	C	D	E	F	
0	0	NUL		SP	0	1	2	3	4	5	6	7	8	9	0	1	
1	1		DC1	!	1	A	Q	a	q	DC1	!	1	A	Q	a	q	
2	2		DC2	"	2	B	R	b	r	DC2	"	2	B	R	b	r	
3	3		DC3	#	3	C	S	c	s	DC3	#	3	C	S	c	s	
4	4		DC4	\$	4	D	T	d	t	DC4	\$	4	D	T	d	t	
5	5			%	5	E	U	e	u		%	5	E	U	e	u	
6	6			&	6	F	V	f	v		&	6	F	V	f	v	
7	7			'	7	G	W	g	w		'	7	G	W	g	w	
8	8	BS	CAN	(8	H	X	h	x	BS	CAN	(8	H	X	h	x
9	9	HT	EM)	9	I	Y	i	y	HT	EM)	9	I	Y	i	y
10	A	LF		*	:	J	Z	j	z	LF		*	:	J	Z	j	z
11	B	VT	ESC	+	:	K	[k]	VT	ESC	+	:	K	[k]
12	C	FF		,	<	L	^	l	^	FF		,	<	L	^	l	^
13	D	CR		-	=	M	^	m	^	CR		-	=	M	^	m	^
14	E	SO		.	>	N	^	n	^	SO		.	>	N	^	n	^
15	F	SI		/	?	O	-	o	DEL	SI		/	?	O	-	o	NUL

Note:

- Set 1 is the same one which 80_H–9F_H is switched to 00_H–1F_H and 95_H is switched to NUL.

Epson Character Set 2 (Multilingual)

PC850

Dec.	0	16	32	48	64	80	96	112	128	144	160	176	192	208	224	240	
Hex	0	1	2	3	4	5	6	7	8	9	A	B	C	D	E	F	
0	0	NUL		SP	0	1	2	3	4	5	6	7	8	9	0	1	
1	1		DC1	!	1	A	Q	a	q	DC1	!	1	A	Q	a	q	
2	2		DC2	"	2	B	R	b	r	DC2	"	2	B	R	b	r	
3	3		DC3	#	3	C	S	c	s	DC3	#	3	C	S	c	s	
4	4		DC4	\$	4	D	T	d	t	DC4	\$	4	D	T	d	t	
5	5			%	5	E	U	e	u		%	5	E	U	e	u	
6	6			&	6	F	V	f	v		&	6	F	V	f	v	
7	7			'	7	G	W	g	w		'	7	G	W	g	w	
8	8	BS	CAN	(8	H	X	h	x	BS	CAN	(8	H	X	h	x
9	9	HT	EM)	9	I	Y	i	y	HT	EM)	9	I	Y	i	y
10	A	LF		*	:	J	Z	j	z	LF		*	:	J	Z	j	z
11	B	VT	ESC	+	:	K	[k]	VT	ESC	+	:	K	[k]
12	C	FF		,	<	L	^	l	^	FF		,	<	L	^	l	^
13	D	CR		-	=	M	^	m	^	CR		-	=	M	^	m	^
14	E	SO		.	>	N	^	n	^	SO		.	>	N	^	n	^
15	F	SI		/	?	O	-	o	DEL	SI		/	?	O	-	o	SP

Epson Character Set 2 (Portugal)

PC860

Dec.	0	16	32	48	64	80	96	112	128	144	160	176	192	208	224	240	
Hex	0	1	2	3	4	5	6	7	8	9	A	B	C	D	E	F	
0	0	NUL		SP	0	1	2	3	4	5	6	7	8	9	0	1	
1	1		DC1	!	1	A	Q	a	q	DC1	!	1	A	Q	a	q	
2	2		DC2	"	2	B	R	b	r	DC2	"	2	B	R	b	r	
3	3		DC3	#	3	C	S	c	s	DC3	#	3	C	S	c	s	
4	4		DC4	\$	4	D	T	d	t	DC4	\$	4	D	T	d	t	
5	5			%	5	E	U	e	u		%	5	E	U	e	u	
6	6			&	6	F	V	f	v		&	6	F	V	f	v	
7	7			'	7	G	W	g	w		'	7	G	W	g	w	
8	8	BS	CAN	(8	H	X	h	x	BS	CAN	(8	H	X	h	x
9	9	HT	EM)	9	I	Y	i	y	HT	EM)	9	I	Y	i	y
10	A	LF		*	:	J	Z	j	z	LF		*	:	J	Z	j	z
11	B	VT	ESC	+	:	K	[k]	VT	ESC	+	:	K	[k]
12	C	FF		,	<	L	^	l	^	FF		,	<	L	^	l	^
13	D	CR		-	=	M	^	m	^	CR		-	=	M	^	m	^
14	E	SO		.	>	N	^	n	^	SO		.	>	N	^	n	^
15	F	SI		/	?	O	-	o	DEL	SI		/	?	O	-	o	SP

Note:

- Set 1 is the same one which 80_H–9F_H is switched to 00_H–1F_H and 95_H is switched to NUL.

Epson Character Set 2 (Canada-French)

PC863

Dec.	0	16	32	48	64	80	96	112	128	144	160	176	192	208	224	240
Hex	0	1	2	3	4	5	6	7	8	9	A	B	C	D	E	F
0	0	NUL		SP	0	é	P		p	ç	è	í		l	á	ø
1	1		DC1	!	1	A	Q	a	q	ü	é			±	π	ø
2	2		DC2	"	2	B	R	b	r	é	é	é	ü	±	π	ø
3	3		DC3	£	3	C	S	c	s	á	ó	ú		†	£	±
4	4		DC4	\$	4	D	T	d	t	á	é	"	†	-	£	±
5	5		\$	%	5	E	U	e	u	á	ó	ú	†	†	ø	±
6	6		£	6	F	V	f	v	á	ó	ú	†	†	ø	±	±
7	7		'	7	G	W	w	ç	ü	"	†	†	†	ø	±	±
8	8	BS	CAN	(8	H	X	h	x	é	í	¿	†	†	ø	±
9	9	HT	EM)	9	I	Y	i	y	é	ó	-	†	†	ø	±
10	A	LP	*	:	J	Z	j	z	é	ó	-	†	†	ø	±	±
11	B	VT	ESC	+	:	K	i	k	"	í	ç	†	†	†	ø	±
12	C	FF	,	<	L	R	l	r	í	é	¿	†	†	ø	±	±
13	D	CR	-	=	M	z	m	}	í	ó	¿	†	†	ø	±	±
14	E	SO	.	>	N	~	n	~	á	ó	<	†	†	ø	±	±
15	F	SI	/	?	O	_	o	DEL	á	ó	¿	†	†	ø	±	±

Epson Character Set 2 (Norway)

PC865

Dec.	0	16	32	48	64	80	96	112	128	144	160	176	192	208	224	240
Hex	0	1	2	3	4	5	6	7	8	9	A	B	C	D	E	F
0	0	NUL		SP	0	é	P		p	ç	è	á		l	á	ø
1	1		DC1	!	1	A	Q	a	q	ü	é	í		±	π	ø
2	2		DC2	"	2	B	R	b	r	é	é	é	ü	±	π	ø
3	3		DC3	£	3	C	S	c	s	á	ó	ú		†	£	±
4	4		DC4	\$	4	D	T	d	t	á	é	"	†	-	£	±
5	5		\$	%	5	E	U	e	u	á	ó	ú	†	†	ø	±
6	6		£	6	F	V	f	v	á	ó	ú	†	†	ø	±	±
7	7		'	7	G	W	w	ç	ü	"	†	†	†	ø	±	±
8	8	BS	CAN	(8	H	X	h	x	é	í	¿	†	†	ø	±
9	9	HT	EM)	9	I	Y	i	y	é	ó	-	†	†	ø	±
10	A	LP	*	:	J	Z	j	z	é	ó	-	†	†	ø	±	±
11	B	VT	ESC	+	:	K	i	k	"	í	ç	†	†	†	ø	±
12	C	FF	,	<	L	R	l	r	í	é	¿	†	†	ø	±	±
13	D	CR	-	=	M	z	m	}	í	ó	¿	†	†	ø	±	±
14	E	SO	.	>	N	~	n	~	á	ó	<	†	†	ø	±	±
15	F	SI	/	?	O	_	o	DEL	á	ó	¿	†	†	ø	±	±

Note:

- Set 1 is the same one which 80_H–9F_H is switched to 00_H–1F_H and 95_H is switched to NUL.

Epson Character Set 2 (Turkey)

PC853

Dec.	0	16	32	48	64	80	96	112	128	144	160	176	192	208	224	240
Hex	0	1	2	3	4	5	6	7	8	9	A	B	C	D	E	F
0	0	NUL		SP	0	é	P		p	ç	è	á		l	á	ø
1	1		DC1	!	1	A	Q	a	q	ü	é	í		±	π	ø
2	2		DC2	"	2	B	R	b	r	é	é	é	ü	±	π	ø
3	3		DC3	£	3	C	S	c	s	á	ó	ú		†	£	±
4	4		DC4	\$	4	D	T	d	t	á	é	"	†	-	£	±
5	5		\$	%	5	E	U	e	u	á	ó	ú	†	†	ø	±
6	6		£	6	F	V	f	v	á	ó	ú	†	†	ø	±	±
7	7		'	7	G	W	w	ç	ü	"	†	†	†	ø	±	±
8	8	BS	CAN	(8	H	X	h	x	é	í	¿	†	†	ø	±
9	9	HT	EM)	9	I	Y	i	y	é	ó	-	†	†	ø	±
10	A	LP	*	:	J	Z	j	z	é	ó	-	†	†	ø	±	±
11	B	VT	ESC	+	:	K	i	k	"	í	ç	†	†	†	ø	±
12	C	FF	,	<	L	R	l	r	í	é	¿	†	†	ø	±	±
13	D	CR	-	=	M	z	m	}	í	ó	¿	†	†	ø	±	±
14	E	SO	.	>	N	~	n	~	á	ó	<	†	†	ø	±	±
15	F	SI	/	?	O	_	o	DEL	á	ó	¿	†	†	ø	±	±

Epson Character Set (BRASCII)

Dec.	0	16	32	48	64	80	96	112	128	144	160	176	192	208	224	240
Hex	0	1	2	3	4	5	6	7	8	9	A	B	C	D	E	F
0	0	NUL		SP	0	é	P		p	NUL		SP		á	D	á
1	1		DC1	!	1	A	Q	a	q		DC1	í	±	á	R	é
2	2		DC2	"	2	B	R	b	r		DC2	ç	'	á	ó	á
3	3		DC3	£	3	C	S	c	s		DC3	é	'	á	ó	é
4	4		DC4	\$	4	D	T	d	t		DC4	h	'	á	ó	é
5	5		\$	%	5	E	U	e	u			W	u	á	ó	é
6	6		£	6	F	V	f	v				í	π	ø	±	±
7	7		'	7	G	W	w	ç	ü			S	.	ç	ü	ç
8	8	BS	CAN	(8	H	X	h	x		BS	CAN	.	é	ó	é
9	9	HT	EM)	9	I	Y	i	y		HT	EM	é	'	é	ó
10	A	LP	*	:	J	Z	j	z			LP		é	ó	é	ó
11	B	VT	ESC	+	:	K	i	k			VT	ESC	<	±	é	ó
12	C	FF	,	<	L	R	l	r			FF		~	¿	í	ú
13	D	CR	-	=	M	z	m	}			CR		-	¿	í	ú
14	E	SO	.	>	N	~	n	~			SO		é	¿	í	ú
15	F	SI	/	?	O	_	o	DEL			SI		-	¿	í	ú

Note:

- Set 1 is the same one which 80_H–9F_H is switched to 00_H–1F_H and 95_H is switched to NUL.

Character Set Tables

Epson Character Set (ABICOMP)

Dec.	0	16	32	48	64	80	96	112	128	144	160	176	192	208	224	240
Hex	0	1	2	3	4	5	6	7	8	9	A	B	C	D	E	F
0	0	NUL		SP	0	€	P	·	p	NUL		SP	ó	i	ò	SP
1	1		DC1	!	1	A	Q	a	q		DC1	A	ó	à	ó	SP
2	2		DC2	"	2	B	R	b	r		DC2	A	ó	á	ó	SP
3	3		DC3	#	3	C	S	c	s		DC3	A	ó	â	ó	SP
4	4		DC4	\$	4	D	T	d	t		DC4	A	ó	ã	ó	SP
5	5		§	§	5	E	U	e	u			A	ó	ä	ó	SP
6	6		¶	¶	6	F	V	f	v			C	ó	å	ó	SP
7	7		·	·	7	G	W	g	w			E	ó	æ	ó	SP
8	8	BB	CAN	(8	H	X	h	x	BS	CAN	E	ó	ç	ó	SP
9	9	HT	EM)	9	I	Y	i	y	HT	EM	E	ó	è	ó	SP
10	A	LF		*	:	J	Z	j	z	LF		E	ó	é	ó	SP
11	B	VT	ESC	+	;	K	[k	[VT	ESC	I	ó	ê	ó	SP
12	C	PF		,	<	L	\	l	;	PF		I	ó	ë	ó	SP
13	D	CR		-	=	M]	m]	CR		I	ó	ì	ó	SP
14	E	SO		.	>	N	^	n	^	SO		Y	ó	í	ó	SP
15	F	SI		/	?	O	_	o	_	DEL	SI	A	ó	î	ó	DEL

IBM Character Set 2 (USA)

Dec.	0	16	32	48	64	80	96	112	128	144	160	176	192	208	224	240
Hex	0	1	2	3	4	5	6	7	8	9	A	B	C	D	E	F
0	0	NUL		SP	0	€	P	·	p	Ç	È	É	Ê	Ë	Ì	Í
1	1		DC1	!	1	A	Q	a	q	û	ü	ÿ	ÿ	ÿ	ÿ	ÿ
2	2		DC2	"	2	B	R	b	r	é	ë	ï	ï	ï	ï	ï
3	3		DC3	#	3	C	S	c	s	â	ä	î	î	î	î	î
4	4		DC4	\$	4	D	T	d	t	ä	ö	ñ	ñ	ñ	ñ	ñ
5	5		§	§	5	E	U	e	u	ä	ö	ñ	ñ	ñ	ñ	ñ
6	6		¶	¶	6	F	V	f	v	ä	ö	ñ	ñ	ñ	ñ	ñ
7	7		·	·	7	G	W	g	w	ç	ù	ú	û	ü	ý	ÿ
8	8	BB	CAN	(8	H	X	h	x	é	ÿ	ÿ	ÿ	ÿ	ÿ	ÿ
9	9	HT)	9	I	Y	i	y	é	ó	ó	ó	ó	ó	ó
10	A	LF		*	:	J	Z	j	z	é	ó	ó	ó	ó	ó	ó
11	B	VT	ESC	+	;	K	[k	[ÿ	ó	ó	ó	ó	ó	ó
12	C	PF		,	<	L	\	l	;	ÿ	é	é	é	é	é	é
13	D	CR		-	=	M]	m]	ÿ	é	é	é	é	é	é
14	E	SO		.	>	N	^	n	^	ÿ	é	é	é	é	é	é
15	F	SI		/	?	O	_	o	_	ÿ	é	é	é	é	é	é

IBM All Character Chart (USA)

Dec.	0	16	32	48	64	80	96	112	128	144	160	176	192	208	224	240
Hex	0	1	2	3	4	5	6	7	8	9	A	B	C	D	E	F
0	0	0	0	0	0	0	0	0	0	0	0	0	0	0	0	0
1	1	0	0	0	0	0	0	0	0	0	0	0	0	0	0	0
2	2	0	0	0	0	0	0	0	0	0	0	0	0	0	0	0
3	3	0	0	0	0	0	0	0	0	0	0	0	0	0	0	0
4	4	0	0	0	0	0	0	0	0	0	0	0	0	0	0	0
5	5	0	0	0	0	0	0	0	0	0	0	0	0	0	0	0
6	6	0	0	0	0	0	0	0	0	0	0	0	0	0	0	0
7	7	0	0	0	0	0	0	0	0	0	0	0	0	0	0	0
8	8	0	0	0	0	0	0	0	0	0	0	0	0	0	0	0
9	9	0	0	0	0	0	0	0	0	0	0	0	0	0	0	0
10	A	0	0	0	0	0	0	0	0	0	0	0	0	0	0	0
11	B	0	0	0	0	0	0	0	0	0	0	0	0	0	0	0
12	C	0	0	0	0	0	0	0	0	0	0	0	0	0	0	0
13	D	0	0	0	0	0	0	0	0	0	0	0	0	0	0	0
14	E	0	0	0	0	0	0	0	0	0	0	0	0	0	0	0
15	F	0	0	0	0	0	0	0	0	0	0	0	0	0	0	0

Note:

- Set 1 is the same one which 03H–06H and 15H are switched to NUL, and 80H–9FH is switched to 00H–1FH.

IBM Character Set 2 (Multilingual)

Dec.	0	16	32	48	64	80	96	112	128	144	160	176	192	208	224	240
Hex	0	1	2	3	4	5	6	7	8	9	A	B	C	D	E	F
0	0	NUL		SP	0	é	P	·	p	ç	ê	á	â	ã	ä	å
1	1		DC1	!	1	A	Q	a	q	ú	æ	í	ï	±	D	ð
2	2		DC2	"	2	B	R	b	r	é	æ	ó	ø	Ù	Ê	Ö
3	3	▼		#	3	C	S	c	s	â	ó	ü		¡	È	Ö
4	4	♦	DC4	\$	4	D	T	d	t	ä	ö	ñ	¡	-	È	ö
5	5	♣		¥	5	E	U	e	u	á	ò	ñ	¡	+	Ì	Ö
6	6	♠		¦	6	F	V	f	v	á	ò	ñ	¡	+	Ì	Ö
7	7			'	7	G	W	g	w	ç	ù	ø	Å	À	Í	þ
8	8	BS	CAN	(8	H	X	h	x	é	ý	ç	ø	Å	Y	»
9	9	HT)	9	I	Y	i	y	é	ö	ø	¡	¡	¡	¡
10	A	LP		*	:	J	Z	j	z	é	ö	ø	¡	¡	¡	¡
11	B	VT	ESC	+	:	K	[k	{	í	é	¿	¡	¡	¡	¡
12	C	FF		,	<	L	\	l	;	í	é	¿	¡	¡	¡	¡
13	D	CR		-	=	M]	m)	í	ö	;	¡	¡	¡	¡
14	E	SO		.	>	N	^	n	~	À	×	<	¡	¡	¡	¡
15	F	SI		/	?	O	_	o	°	À	f	>	¡	¡	¡	¡

IBM All Character Chart (Multilingual)

Dec.	0	16	32	48	64	80	96	112	128	144	160	176	192	208	224	240	
Hex	0	1	2	3	4	5	6	7	8	9	A	B	C	D	E	F	
0	0	0	1	2	3	4	5	6	7	8	9	A	B	C	D	E	
1	1	0	1	2	3	4	5	6	7	8	9	A	B	C	D	E	
2	2	0	1	2	3	4	5	6	7	8	9	A	B	C	D	E	
3	3	▼	■	■	■	■	■	■	■	■	■	■	■	■	■	■	
4	4	♦	■	■	■	■	■	■	■	■	■	■	■	■	■	■	
5	5	♣	■	■	■	■	■	■	■	■	■	■	■	■	■	■	
6	6	♠	■	■	■	■	■	■	■	■	■	■	■	■	■	■	
7	7	•	■	■	■	■	■	■	■	■	■	■	■	■	■	■	
8	8	■	■	■	■	■	■	■	■	■	■	■	■	■	■	■	
9	9	0	1	2	3	4	5	6	7	8	9	A	B	C	D	E	
10	A	■	■	■	■	■	■	■	■	■	■	■	■	■	■	■	■
11	B	0	1	2	3	4	5	6	7	8	9	A	B	C	D	E	
12	C	0	1	2	3	4	5	6	7	8	9	A	B	C	D	E	
13	D	0	1	2	3	4	5	6	7	8	9	A	B	C	D	E	
14	E	0	1	2	3	4	5	6	7	8	9	A	B	C	D	E	
15	F	0	1	2	3	4	5	6	7	8	9	A	B	C	D	E	

Note:

- Set 1 is the same one which 03_H–06_H and 15_H are switched to NUL, and 80_H–9F_H is switched to 00_H–1F_H.

IBM Character Set 2 (Portugal)

Dec.	0	16	32	48	64	80	96	112	128	144	160	176	192	208	224	240
Hex	0	1	2	3	4	5	6	7	8	9	A	B	C	D	E	F
0	0	NUL		SP	0	é	P	·	p	ç	ê	á	â	ã	ä	å
1	1		DC1	!	1	A	Q	a	q	ú	æ	í	ï	±	Ƨ	ð
2	2		DC2	"	2	B	R	b	r	é	æ	ó	ø	Ù	Ê	Ö
3	3	▼		#	3	C	S	c	s	â	ó	ü		¡	È	Ö
4	4	♦	DC4	\$	4	D	T	d	t	ä	ö	ñ	¡	-	È	ö
5	5	♣		¥	5	E	U	e	u	á	ò	ñ	¡	+	Ì	Ö
6	6	♠		¦	6	F	V	f	v	á	ò	ñ	¡	+	Ì	Ö
7	7			'	7	G	W	g	w	ç	ù	ø	Å	À	Í	þ
8	8	BS	CAN	(8	H	X	h	x	é	ý	ç	ø	Å	Y	»
9	9	HT)	9	I	Y	i	y	é	ö	ø	¡	¡	¡	¡
10	A	LP		*	:	J	Z	j	z	é	ö	ø	¡	¡	¡	¡
11	B	VT	ESC	+	:	K	[k	{	í	é	¿	¡	¡	¡	¡
12	C	FF		,	<	L	\	l	;	í	é	¿	¡	¡	¡	¡
13	D	CR		-	=	M]	m)	í	ö	;	¡	¡	¡	¡
14	E	SO		.	>	N	^	n	~	À	×	<	¡	¡	¡	¡
15	F	SI		/	?	O	_	o	°	À	f	>	¡	¡	¡	¡

IBM All Character (Portugal)

Dec.	0	16	32	48	64	80	96	112	128	144	160	176	192	208	224	240	
Hex	0	1	2	3	4	5	6	7	8	9	A	B	C	D	E	F	
0	0	0	1	2	3	4	5	6	7	8	9	A	B	C	D	E	
1	1	0	1	2	3	4	5	6	7	8	9	A	B	C	D	E	
2	2	0	1	2	3	4	5	6	7	8	9	A	B	C	D	E	
3	3	▼	■	■	■	■	■	■	■	■	■	■	■	■	■	■	
4	4	♦	■	■	■	■	■	■	■	■	■	■	■	■	■	■	
5	5	♣	■	■	■	■	■	■	■	■	■	■	■	■	■	■	
6	6	♠	■	■	■	■	■	■	■	■	■	■	■	■	■	■	
7	7	•	■	■	■	■	■	■	■	■	■	■	■	■	■	■	
8	8	■	■	■	■	■	■	■	■	■	■	■	■	■	■	■	
9	9	0	1	2	3	4	5	6	7	8	9	A	B	C	D	E	
10	A	■	■	■	■	■	■	■	■	■	■	■	■	■	■	■	■
11	B	0	1	2	3	4	5	6	7	8	9	A	B	C	D	E	
12	C	0	1	2	3	4	5	6	7	8	9	A	B	C	D	E	
13	D	0	1	2	3	4	5	6	7	8	9	A	B	C	D	E	
14	E	0	1	2	3	4	5	6	7	8	9	A	B	C	D	E	
15	F	0	1	2	3	4	5	6	7	8	9	A	B	C	D	E	

Note:

- Set 1 is the same one which 03_H–06_H and 15_H are switched to NUL, and 80_H–9F_H is switched to 00_H–1F_H.

Character Set Tables

IBM Character Set 2 (Canada-French)

Dec.	0	16	32	48	64	80	96	112	128	144	160	176	192	208	224	240
Hex	0	1	2	3	4	5	6	7	8	9	A	B	C	D	E	F
0	0	NUL		SP	0	1	2	3	4	5	6	7	8	9	A	B
1	1		DC1	!	1	A	Q	a	q	û	æ	ø	ï	±	Y	B
2	2		DC2	"	2	B	R	b	r	é	æ	ó	ü	±	Y	z
3	3	9		#	3	C	B	c	ç	à	â	ô	û		±	x
4	4	+	DC4	\$	4	D	T	d	t	à	æ	ï	-	±	z]
5	5	+		%	5	Z	U	e	u	â	ô	ï	±	±	±	o
6	6	+		&	6	F	V	f	v	â	ô	ï	±	±	±	+
7	7			'	7	G	H	g	h	ç	û	-	±	±	±	*
8	8	BS	CAN	(8	H	X	h	x	é	ï	±	±	±	±	'
9	9	HT)	9	I	Y	i	y	é	ô	-	±	±	±	±
10	A	LF		*	:	J	Z	j	z	é	ô	-	±	±	±	±
11	B	VT	ESC	+	;	K	[k	[ï	ç	±	±	±	±	±
12	C	FP		,	<	L	\	l	:	ï	æ	±	±	±	±	±
13	D	CR		-	=	M]	m]	-	ô	±	±	±	±	±
14	E	SO		.	>	N	^	n	^	à	ô	<	±	±	±	±
15	F	SI		/	?	O	_	o	_	\$	f	>	±	±	±	±

IBM All Character (Canada-French)

Dec.	0	16	32	48	64	80	96	112	128	144	160	176	192	208	224	240
Hex	0	1	2	3	4	5	6	7	8	9	A	B	C	D	E	F
0	0	0	+	SP	0	1	2	3	4	5	6	7	8	9	A	B
1	1	0	+	!	1	A	Q	a	q	û	æ	ø	ï	±	Y	B
2	2	0	+	"	2	B	R	b	r	é	æ	ó	ü	±	Y	z
3	3	9	+	#	3	C	B	c	ç	à	â	ô	û		±	x
4	4	+	+	\$	4	D	T	d	t	à	æ	ï	-	±	z]
5	5	+	+	%	5	Z	U	e	u	â	ô	ï	±	±	±	o
6	6	+	+	&	6	F	V	f	v	â	ô	ï	±	±	±	+
7	7	+	+	'	7	G	H	g	h	ç	û	-	±	±	±	*
8	8	0	+	(8	H	X	h	x	é	ï	±	±	±	±	'
9	9	0	+)	9	I	Y	i	y	é	ô	-	±	±	±	±
10	A	0	+	*	:	J	Z	j	z	é	ô	-	±	±	±	±
11	B	0	+	+	;	K	[k	[ï	ç	±	±	±	±	±
12	C	0	+	,	<	L	\	l	:	ï	æ	±	±	±	±	±
13	D	0	+	-	=	M]	m]	-	ô	±	±	±	±	±
14	E	0	+	.	>	N	^	n	^	à	ô	<	±	±	±	±
15	F	0	+	/	?	O	_	o	_	\$	f	>	±	±	±	±

Note:

- Set 1 is the same one which 03_H-06_H and 15_H are switched to NUL, and 80_H-9F_H is switched to 00_H-1F_H.

IBM Character Set 2 (Norway)

Dec.	0	16	32	48	64	80	96	112	128	144	160	176	192	208	224	240
Hex	0	1	2	3	4	5	6	7	8	9	A	B	C	D	E	F
0	0	NUL		SP	0	1	2	3	4	5	6	7	8	9	A	B
1	1		DC1	!	1	A	Q	a	q	û	æ	ø	ï	±	Y	B
2	2		DC2	"	2	B	R	b	r	é	æ	ó	ü	±	Y	z
3	3	9		#	3	C	B	c	ç	à	â	ô	û		±	x
4	4	+	DC4	\$	4	D	T	d	t	à	æ	ï	-	±	z]
5	5	+		%	5	Z	U	e	u	â	ô	ï	±	±	±	o
6	6	+		&	6	F	V	f	v	â	ô	ï	±	±	±	+
7	7			'	7	G	H	g	h	ç	û	-	±	±	±	*
8	8	BS	CAN	(8	H	X	h	x	é	ï	±	±	±	±	'
9	9	HT)	9	I	Y	i	y	é	ô	-	±	±	±	±
10	A	LF		*	:	J	Z	j	z	é	ô	-	±	±	±	±
11	B	VT	ESC	+	;	K	[k	[ï	ç	±	±	±	±	±
12	C	FP		,	<	L	\	l	:	ï	æ	±	±	±	±	±
13	D	CR		-	=	M]	m]	-	ô	±	±	±	±	±
14	E	SO		.	>	N	^	n	^	à	ô	<	±	±	±	±
15	F	SI		/	?	O	_	o	_	\$	f	>	±	±	±	±

IBM All Character (Norway)

Dec.	0	16	32	48	64	80	96	112	128	144	160	176	192	208	224	240
Hex	0	1	2	3	4	5	6	7	8	9	A	B	C	D	E	F
0	0	0	+	SP	0	1	2	3	4	5	6	7	8	9	A	B
1	1	0	+	!	1	A	Q	a	q	û	æ	ø	ï	±	Y	B
2	2	0	+	"	2	B	R	b	r	é	æ	ó	ü	±	Y	z
3	3	9	+	#	3	C	B	c	ç	à	â	ô	û		±	x
4	4	+	+	\$	4	D	T	d	t	à	æ	ï	-	±	z]
5	5	+	+	%	5	Z	U	e	u	â	ô	ï	±	±	±	o
6	6	+	+	&	6	F	V	f	v	â	ô	ï	±	±	±	+
7	7	+	+	'	7	G	H	g	h	ç	û	-	±	±	±	*
8	8	0	+	(8	H	X	h	x	é	ï	±	±	±	±	'
9	9	0	+)	9	I	Y	i	y	é	ô	-	±	±	±	±
10	A	0	+	*	:	J	Z	j	z	é	ô	-	±	±	±	±
11	B	0	+	+	;	K	[k	[ï	ç	±	±	±	±	±
12	C	0	+	,	<	L	\	l	:	ï	æ	±	±	±	±	±
13	D	0	+	-	=	M]	m]	-	ô	±	±	±	±	±
14	E	0	+	.	>	N	^	n	^	à	ô	<	±	±	±	±
15	F	0	+	/	?	O	_	o	_	\$	f	>	±	±	±	±

Note:

- Set 1 is the same one which 03_H-06_H and 15_H are switched to NUL, and 80_H-9F_H is switched to 00_H-1F_H.

IBM Character Set 2 (Turkey)

Dec.	0	16	32	48	64	80	96	112	128	144	160	176	192	208	224	240
Hex	0	1	2	3	4	5	6	7	8	9	A	B	C	D	E	F
0	0	NUL		BP	0	0	P	.	p	C	Ç	İ	ı	İ	ı	ı
1	1		DC1	!	1	A	Q	a	q	ü	u	ı	ı	ı	ı	ı
2	2		DC2	"	2	B	R	b	r	ê	ë	ö	ı	ı	ı	ı
3	3	0		#	3	C	S	c	s	â	á	ú	ı	ı	ı	ı
4	4	0	DC4	\$	4	D	T	d	t	â	á	ú	ı	ı	ı	ı
5	5	0		%	5	E	U	e	u	â	á	ú	ı	ı	ı	ı
6	6	0		&	6	F	V	f	v	â	á	ú	ı	ı	ı	ı
7	7			'	7	G	W	g	w	ç	ü	ı	ı	ı	ı	ı
8	8	BS	CAN	(8	H	X	h	x	ê	ı	ı	ı	ı	ı	ı
9	9	HT)	9	I	Y	i	y	ê	ı	ı	ı	ı	ı	ı
10	A	LF		*	:	J	Z	j	z	ê	ı	ı	ı	ı	ı	ı
11	B	VT	ESC	+	:	K	[k	{	ı	ı	ı	ı	ı	ı	ı
12	C	FF		,	<	L	\	l	!	ı	ı	ı	ı	ı	ı	ı
13	D	CR		-	=	M]	m	}	ı	ı	ı	ı	ı	ı	ı
14	E	SO		.	>	N	^	n	~	ı	ı	ı	ı	ı	ı	ı
15	F	SI		/	?	O	_	o	Δ	ı	ı	ı	ı	ı	ı	ı

IBM All Character Set (Turkey)

Dec.	0	16	32	48	64	80	96	112	128	144	160	176	192	208	224	240
Hex	0	1	2	3	4	5	6	7	8	9	A	B	C	D	E	F
0	0	0	0	0	0	0	0	0	0	0	0	0	0	0	0	0
1	1	0	0	0	0	0	0	0	0	0	0	0	0	0	0	0
2	2	0	0	0	0	0	0	0	0	0	0	0	0	0	0	0
3	3	0	0	0	0	0	0	0	0	0	0	0	0	0	0	0
4	4	0	0	0	0	0	0	0	0	0	0	0	0	0	0	0
5	5	0	0	0	0	0	0	0	0	0	0	0	0	0	0	0
6	6	0	0	0	0	0	0	0	0	0	0	0	0	0	0	0
7	7	0	0	0	0	0	0	0	0	0	0	0	0	0	0	0
8	8	0	0	0	0	0	0	0	0	0	0	0	0	0	0	0
9	9	0	0	0	0	0	0	0	0	0	0	0	0	0	0	0
10	A	0	0	0	0	0	0	0	0	0	0	0	0	0	0	0
11	B	0	0	0	0	0	0	0	0	0	0	0	0	0	0	0
12	C	0	0	0	0	0	0	0	0	0	0	0	0	0	0	0
13	D	0	0	0	0	0	0	0	0	0	0	0	0	0	0	0
14	E	0	0	0	0	0	0	0	0	0	0	0	0	0	0	0
15	F	0	0	0	0	0	0	0	0	0	0	0	0	0	0	0

Note:

- Set 1 is the same one which 03_H–06_H and 15_H are switched to NUL, and 80_H–9F_H is switched to 00_H–1F_H.

IBM Character Set (BRASCI)

Dec.	0	16	32	48	64	80	96	112	128	144	160	176	192	208	224	240
Hex	0	1	2	3	4	5	6	7	8	9	A	B	C	D	E	F
0	0	NUL		SP	0	0	P	.	p	NUL		SP	.	A	D	á
1	1		DC1	!	1	A	Q	a	q		DC1	ı	ı	ı	ı	ı
2	2		DC2	"	2	B	R	b	r		DC2	ç	ı	ı	ı	ı
3	3			#	3	C	S	c	s			ı	ı	ı	ı	ı
4	4		DC4	\$	4	D	T	d	t		DC4	ı	ı	ı	ı	ı
5	5			%	5	E	U	e	u			ı	ı	ı	ı	ı
6	6			&	6	F	V	f	v			ı	ı	ı	ı	ı
7	7			'	7	G	W	g	w			ı	ı	ı	ı	ı
8	8	BS	CAN	(8	H	X	h	x	BS	CAN	.	.	ı	ı	ı
9	9	HT)	9	I	Y	i	y	HT		.	.	ı	ı	ı
10	A	LF		*	:	J	Z	j	z	LF		.	.	ı	ı	ı
11	B	VT	ESC	+	:	K	[k	{	VT	ESC	.	.	ı	ı	ı
12	C	FF		,	<	L	\	l	!	FF		.	.	ı	ı	ı
13	D	CR		-	=	M]	m	}	CR		.	.	ı	ı	ı
14	E	SO		.	>	N	^	n	~	SO		.	.	ı	ı	ı
15	F	SI		/	?	O	_	o	Δ	SI		.	.	ı	ı	ı

IBM All Character Set (BRASCI)

Dec.	0	16	32	48	64	80	96	112	128	144	160	176	192	208	224	240
Hex	0	1	2	3	4	5	6	7	8	9	A	B	C	D	E	F
0	0	0	0	0	0	0	0	0	0	0	0	0	0	0	0	0
1	1	0	0	0	0	0	0	0	0	0	0	0	0	0	0	0
2	2	0	0	0	0	0	0	0	0	0	0	0	0	0	0	0
3	3	0	0	0	0	0	0	0	0	0	0	0	0	0	0	0
4	4	0	0	0	0	0	0	0	0	0	0	0	0	0	0	0
5	5	0	0	0	0	0	0	0	0	0	0	0	0	0	0	0
6	6	0	0	0	0	0	0	0	0	0	0	0	0	0	0	0
7	7	0	0	0	0	0	0	0	0	0	0	0	0	0	0	0
8	8	0	0	0	0	0	0	0	0	0	0	0	0	0	0	0
9	9	0	0	0	0	0	0	0	0	0	0	0	0	0	0	0
10	A	0	0	0	0	0	0	0	0	0	0	0	0	0	0	0
11	B	0	0	0	0	0	0	0	0	0	0	0	0	0	0	0
12	C	0	0	0	0	0	0	0	0	0	0	0	0	0	0	0
13	D	0	0	0	0	0	0	0	0	0	0	0	0	0	0	0
14	E	0	0	0	0	0	0	0	0	0	0	0	0	0	0	0
15	F	0	0	0	0	0	0	0	0	0	0	0	0	0	0	0

Character Set Tables

IBM Character Set (ABICOMP)

Dec.	0	16	32	48	64	80	96	112	128	144	160	176	192	208	224	240
Hex	0	1	2	3	4	5	6	7	8	9	A	B	C	D	E	F
0	0	NUL		SP	0	@	P	`	p	NUL		SP	0	i	ó	SP
1	1		DC1	!	1	A	Q	a	q		DC1	A	O	á	ó	SP
2	2		DC2	"	2	B	R	b	r		DC2	A	O	á	ó	SP
3	3			#	3	C	S	c	s			A	O	á	ó	SP
4	4		DC4	\$	4	D	T	d	t		DC4	A	O	á	ó	SP
5	5			%	5	E	U	e	u			A	O	á	ó	SP
6	6			&	6	F	V	f	v			C	O	á	ó	SP
7	7			'	7	G	W	g	w			E	O	á	ó	SP
8	8	BS	CAN	(8	H	X	h	x	BS	CAN	E	O	á	ó	SP
9	9	HT)	9	I	Y	i	y	HT		E	O	á	ó	SP
10	A	LF		*	: J	Z	j	z	LP			E	O	á	ó	SP
11	B	VT	ESC	+	; K	[k	{	VT	ESC	!	"	l	o	SP	
12	C	FF		,	< L	\	l		FF		f	E	i	á	SP	
13	D	CR		-	= M]	m	}	CR		I	.	í	o	SP	
14	E	SO		.	> N	^	n	~	SO		Y	\$	í	ú	SP	
15	F	SI		/	? O	_	o	~	SI		N	^	ñ	z	SP	

IBM All Character Set (ABICOMP)

Dec.	0	16	32	48	64	80	96	112	128	144	160	176	192	208	224	240
Hex	0	1	2	3	4	5	6	7	8	9	A	B	C	D	E	F
0	0	@	~	SP	0	@	P	`	p	SP	SP	SP	0	i	ó	SP
1	1	o	~	!	1	A	Q	a	q	SP	SP	A	O	á	ó	SP
2	2	e	!	"	2	B	R	b	r	SP	SP	A	O	á	ó	SP
3	3	e	!	#	3	C	S	c	s	SP	SP	A	O	á	ó	SP
4	4	e	!	\$	4	D	T	d	t	SP	SP	A	O	á	ó	SP
5	5	e	!	%	5	E	U	e	u	SP	SP	A	O	á	ó	SP
6	6	e	!	&	6	F	V	f	v	SP	SP	C	O	á	ó	SP
7	7	e	!	'	7	G	W	g	w	SP	SP	E	O	á	ó	SP
8	8	o	!	(8	H	X	h	x	SP	SP	E	O	á	ó	SP
9	9	o	!)	9	I	Y	i	y	SP	SP	E	O	á	ó	SP
10	A	o	!	*	: J	Z	j	z	SP	SP	E	O	á	ó	SP	
11	B	o	!	+	; K	[k	{	SP	SP	!	"	l	o	SP	
12	C	o	!	,	< L	\	l		SP	SP	!	E	i	á	SP	
13	D	o	!	-	= M]	m	}	SP	SP	!	.	í	o	SP	
14	E	o	!	.	> N	^	n	~	SP	SP	!	\$	í	ú	SP	
15	F	o	!	/	? O	_	o	~	SP	SP	!	N	^	ñ	z	SP

International Character Set

	n	35d 23h	36d 24h	64d 40h	91d 5Bh	92d 5Ch	93d 5Dh	94d 5Eh	96d 60h	123d 7Bh	124d 7Ch	125d 7Dh	126d 7Eh	155d 9Bh	157d 9Dh
USA	0	#	s	@	[\]	^	`	{		}	~	e	v
FRANCE	1	#	s	á	·	ç	§	^	`	é	ù	è	·	e	v
GERMANY	2	#	s	§	Ä	Ö	Ü	^	`	ä	ö	ü	á	e	v
ENGLAND	3	£	s	@	[\]	^	`	{		}	~	e	v
DENMARK1	4	#	s	@	Æ	Ø	Å	^	`	æ	ø	å	~	o	ø
SWEDEN	5	#	o	é	Ä	Ö	Å	Ü	é	ä	ö	å	ü	e	v
ITALY	6	#	s	@	·	\	é	^	`	à	ò	è	í	e	v
SPAIN1	7	ñ	s	@	í	ñ	¿	^	`	ñ	ñ	}	~	e	v
JAPAN	8	#	s	@	[v]	^	`	{		}	~	e	v
NORWAY	9	#	o	é	Æ	Ø	Å	Ü	é	æ	ø	å	ü	o	ø
DENMARK2	10	#	s	é	Æ	Ø	Å	Ü	é	æ	ø	å	ü	o	ø
SPAIN2	11	#	s	á	í	ñ	¿	é	`	í	ñ	ó	ú	e	v
LATIN AMERICA	12	#	s	á	í	ñ	¿	é	ü	í	ñ	ó	ú	e	v
KOREA	13	#	s	@	[w]	^	`	{		}	~	e	v
LEGAL	64	#	s	§	·	·	·	·	·	·	·	·	·	e	v

*1

*2

Note:

*1 These characters can be changed only in the Epson FX-1170 mode. In the IBM Proprinter IIIXL mode, International Character Set is set to USA and it can not be changed.

*2 These characters are effective in both Graphic Character Set 2 of the Epson FX-1170 and IBM Proprinter IIIXL modes.

Glossary

ASCII:

"ASCII" is an acronym for "American Standard Code for Information Interchange". In ASCII, each character has a unique code.

BASIC:

BASIC is a commonly used microcomputer programming language.

Baud (baud rate):

Baud is a unit of data transmission speed between computer devices.
Can be, but not necessarily, equal to bits per second.

Bidirectional printing:

Processing speed is increased by bidirectional printing. That is, the printer prints right-to-left as well as in the normal left-to-right manner.

Binary:

Binary is a numbering system using the two digits of zero (0) and one (1).

Bit:

Bit is an abbreviation for "binary digit (0~1)", and is the smallest unit of information used by a printer or computer.

Bit-image graphics:

Graphics which are created through a series of dots printed in vertical columns.

Buffer:

Buffer is an area of memory which stores data temporarily.

Byte:

Byte is the unit of information used by a printer or computer. One byte is equivalent to eight (8) bits.

Character set:

Character set is the set of characters, numbers, and symbols available for printing.

Code page:

The computer system stores characters and numbers as a numerical data. The code page is a table which is used to change them into the numerical data.

Control codes:

Control codes are commands from the computer to the printer that are non-printable characters. They are used to control printer functions.

cpi:

"cpi" is an abbreviation for "characters per inch", and means the maximum number of characters printed in one horizontal inch.

cpl:

"cpl" is an abbreviation for "characters per line", and means the maximum number of characters printed on one line.

cps:

"cps" is an abbreviation for "characters per second", and means the number of characters printed in one second.

CR (Carriage Return):

"CR" is a control code that returns the printhead to the left margin.

Decimal (Dec.):

Decimal is a numbering system composed of 10 digits 0, 1, 2, 3, 4, 5, 6, 7, 8 and 9.

Default:

Default has two meanings: one indicates the previously set conditions or settings executed when the power is turned on, reset or initialized; and the other indicates the original settings when shipped from the factory.

Dots per inch (DPI):

A measure of resolution used for monitors and printers.

Download character:

Download character is a character which the user can design.

Draft:

Draft is one of two print qualities available on this printer. Draft mode uses a minimum number of dots per character to maximize printing speed.

Emulation:

Emulation means to operate like another printer. This printer can emulate the Epson FX-1170 or the IBM Proprinter IIIXL.

Escape (ESC) sequence:

"ESC" is a control code that begins most printer commands. The characters which follow the "ESC" are interpreted as command, rather than characters to print.

Fanfold paper:

Fanfold paper has regularly sprocket holes on the left and right sides and pages are separated by a perforation between each sheet. May also be known as computer paper or tractor paper.

FF (Form feed):

"FF" is a control code that advances the paper one page.

Font:

Font is a style and size of type designated by a family name.

Graphics:

Groups of dots or characters that are used to create images, as opposed to text and numbers.

Graphics mode:

A special mode of print in which only raster graphics printing is possible.

Hexadecimal:

Hexadecimal is a numbering system using the 16 digits, 0, 1, 2, 3, 4, 5, 6, 7, 8, 9, A, B, C, D, E and F.

Initialization:

Initialization means to reset the printer to the initial start up condition.

Interface:

Interface is the connection between the two separate systems, such as the computer and the printer. A parallel interface transfers data one character or code at a time, and a serial interface transfers data one bit at a time.

International character set:

A set of characters defined by each country.

I/O:

"I/O" is the symbolic notation for "Input/Output".

Italics:

A font style in which the character slants to the right. Used for emphasis, this is sometimes called oblique.

LF (Line Feed):

"LF" is a control code that advances the paper one line.

LSB:

"LSB" is an acronym for "Least Significant Bit", and means the rightmost position in a binary number.

Margin:

The area between the edge of the paper and the first or last print position; left, right, top or bottom margin.

MSB:

"MSB" is an acronym for "Most Significant Bit", and means the leftmost position in a binary number.

Near Letter Quality (NLQ):

NLQ is one of two print qualities available on this printer. NLQ mode increases the number of dots per character to improve the print quality but decreases the printing speed.

OFF LINE:

OFF LINE is the condition in which the printer can not communicate with the computer.

ON LINE:

ON LINE is the condition in which the printer can communicate with the computer.

Overline printing:

Overline printing produces a continuous line above the characters, using the first pin of the printhead.

Parallel interface:

Transmitting data one byte (8 bits) at a time from computer to printer.

Parity:

Parity is a method for a computer and printer to check the accuracy of data transfer.

Perforation:

Perforation indicates the tear position on the fanfold paper. (P. 61)

Pitch:

Pitch is the number of characters which will print in one inch. Pitch is equivalent to characters per inch (cpi).

Printable area:

The area of a page where the print quality is assured.

Printer drivers:

Most of today's off the shelf software programs use printer drivers to control printer functions. These drivers contain the software codes your software program uses to access printer features. With the printer driver installed, you will seldom need to know any of the KX-P3696 commands.

Printing area:

The area of the page within the margins, where printing actually occurs. The printing area is equal to or less than the printable area. (☞ P. 61)

Proportional spacing (PS):

Proportional spacing is a printing method of adjusting the character space in which a character is printed. A "w" will take up more space than an "i".

Protocol:

Protocol is the set of rules permitting communication between a computer and printer when a serial interface (RS-232C) is used. It covers polarity, baud rate, parity, data length, start bit and stop bit.

Quiet mode:

QUIET mode reduces printing noise for a more comfortable work environment. It also reduces print speed.

RAM:

RAM is an acronym for "Random Access Memory". It is the part of the printer's memory in which data is stored, control codes or download characters are to be printed. RAM is cleared when the printer is turned off.

R.D.T.:

R.D.T. is the value of the remaining buffer capacity (R.B.C.) to resume data transfer from the computer after the data transfer is suspended by R.B.C. control.

ROM:

ROM is an acronym for "Read Only Memory". It is the part of the printer's memory in which predefined characters and operating information for the printer are stored. ROM is not cleared when the printer is turned off.

S.D.T.:

Serial Interface uses 1K byte serial buffer. S.D.T. is the value of the remaining buffer capacity (R.B.C.) to suspend data transfer from the computer.

Self test:

Self test is a method for testing the operation of the printer. (☞ P. 25)

Serial interface:

Transmitting data one bit at a time from computer to pinter.

Shielded cable:

Shielded cable is a cable wrapped with a special metal around its wires. This guards against radio interference.

Skip perforation:

Skip perforation means nothing is printed in a specified area before and after the page perforation.

String concatenation:

This is the joining of two or more bytes of data into a single command.

Style:

A font attribute which changes the appearance of the character (ie: in Italics the character is printed on a slant).

Top of Form:

Top of Form is the first line position on the paper. (☞ P. 43)

Typeface:

All characters of a single, unified design at any size and rotation. Example: Roman, Prestige, etc.

Unidirectional printing:

The printer prints left-to-right only. Printing speed is slow compared with bidirectional printing. This print method permits better vertical alignment.

Windows:

An operating environment which lies between the operating system (DOS) and an application, that controls the system devices.

Index

A

ACK (Acknowledge)	62, 63
AUTO FEED XT (AFXT)	62, 63
Automatic Carriage Return (AUTO CR)	30
Automatic Line Feed (AUTO-LF)	30, 48
Automatic paper loading (AUTO LOADING)	30

B

Bidirectional printing (BI DIRECTION)	29
Bold PS	28, 40
Bottom feeding	19~22
Bottom margin	28
Buffer	58
Buffer clear	57
BUSY signal	62, 63
Buzzer	30

C

Cable	11, 62
Cable connection	11
Centering (CTR PRINTHEAD)	28
Character sets	58, 64~70
Epson FX-1170 mode	64~66
IBM Proprinter IIIXL mode	66~70
International	70
Characters per inch (cpi)	4, 28, 58
Characters per line (cpl)	58
Characters per second (cps)	58
Clear Buffer Function	57
Code page	29
Connecting	11
Country selection	29
Courier	28, 40
Cover open sensor	9, 59
Cut Sheet Feeder mode (CSF MODE)	30, 48, 56
Cut Sheet Feeder.option	31, 47, 56, 76

D

Data length	31
DATA1-DATA8 signal	62, 63
Default setting	28~31, 38, 39, 51
Detectors	30, 46, 59
Dot configuration	58
Double high printing	29
Double strike printing	29
Double wide printing	29
Download buffer	30
Draft	4, 28, 58

E

Elite	4, 58
Emulation	4, 28, 48, 58
Epson FX-1170 mode	4, 28, 48, 58
IBM Proprinter IIIXL mode	4, 28, 48, 58
Enhancement menu	29
Envelope	23~24, 60, 61
ERROR signal	62, 63

F

Factory setting	28~31, 38, 39, 51
Fanfold paper	16~22, 60, 61
FF switch	9, 42
FG (FRAME GROUND) signal	62, 63
Font	4, 28, 40, 58
Form feed	42
Frame ground terminal	10, 11
Friction	23
Front panel switches	9

G

Graphic direction	29, 48
Bidirectional printing	29, 48
Unidirectional printing	29, 48

H

Head gap lever	10
Head service life	59
Hex dump	57

I

Initialization	57
Interfacing	62, 63
International Character set	70
Italics	29

L

Left margin	28
LF switch	9, 42
Line feed	42
Lines per inch (lpi)	28
LOAD/PARK switch	9, 45

M

Maintenance	55
Micro line feed	42
Micron	4, 58

N

Near Letter Quality (NLQ) 4, 58

OON LINE indicator light 9
ON LINE switch 9
Operating environment 5, 59
Overheat detector 59
Overload detector 59**P**Page format 29
Page length 16, 28
Paper feed selector 10, 16, 19, 23
Paper feeding 15~24
 Friction mode 23, 24
 Push/Pull tractor mode 16~22
Paper out detector
 (PAPER OUT DETECT) 30, 46
Paper parking 45
Paper specifications 60, 61
Paper support 17, 20
Paper thickness 60
Parallel interface connector 11, 62
Parts of the printer 9, 10
Pica 4, 58
Pitch 28
PITCH switch 9, 40
Platen knob 6, 7, 9
PO (PAPER OUT) signal 62, 63
POWER/PAPER OUT indicator light 9
Power requirement 58
Power switch 9, 11
Prestige 28, 40
PRIME signal 62, 63
Print direction 29
Print setting 34
Print speed 4, 58
Print style 28
Print width 29
Printer driver 26, 27
Printhead 10
Printing area 61
Proportional Spacing (PS) 28, 73
Protective paper 7
Pull tractor 19~22
Push Tractor 16~18**Q**

QUIET MODE 30

RRear feeding 16~19
Receive buffer 63
Reverse line feed (REV LF/PULL) 30
Reverse micro line feed 42, 43
Ribbon cassette 6, 12~14
Right margin 28
Roman 4, 34, 40**S**Sans Serif 4, 28, 40
Script 4, 28, 40
Self test 25
Serial interface 4, 34, 58
Setup Disk 4, 6, 27, 28~39, 52~54
 Command Reference program 52~54
 Initial Setup program 28~39
 Printer driver 27
SG (SIGNAL GROUND) signal 62, 63
Single sheet 23, 24, 60, 61
SLCT IN (SELECT IN) signal 62, 63
SLCT (SELECT) signal 62, 63
Smoked plastic cover 9
Specifications 58~61
STB (STROBE) signal 62, 63**T**Tear Off 44
TEAR OFF switch 9, 44
Text direction 29
 Bidirectional printing 29
 Unidirectional printing 29
Top margin 28
Top of Form (TOF) set 43
Tractor 10, 17
Tractor clamping lever 17
Troubleshooting 55, 56
TTL (Transistor-Transistor-Logic) 62**U**Unidirectional printing (UNI DIRECTION) 29
Unpacking 6~8**W**

Windows printer driver 26, 27

Z

Zero font 29

Options and Supplies

KX-PS13	RS-232C/Current Loop Serial Interface Board (19.2 K Bps)
KX-PS14	RS-232C/Serial Interface Board (9600 Bps)
KX-P38	Cut Sheet Feeder (Single Bin)
KX-P170	Ribbon Cassette (Black)
KX-P44	32K Buffer Chip

FOR USERS IN CONTINENTAL UNITED STATES ONLY

TECHNICAL SUPPORT CALLS

If you have read this manual and tried the troubleshooting procedures and you are still having difficulty, please contact the store from which the unit was purchased.

You may also call the technical support telephone number which is operational during east coast business hours (9:00 AM to 7:00 PM).

For technical support, to order options and supplies, or for the nearest authorized service center please call 1-800-222-0584.

**Panasonic Communications & Systems Company,
Computer Products Division
Division of Matsushita Electric Corporation of America**
Two Panasonic Way, Secaucus, New Jersey 07094

**Panasonic Sales Company
Division of Matsushita Electric of Puerto Rico, Inc.**
San Gabriel Industrial Park, 65th Infantry Avenue KM. 9.5
Carolina, Puerto Rico 00630

Matsushita Electric of Canada Limited
5770 Ambler Drive, Mississauga, Ontario, L4W 2T3

Matsushita Electric Industrial Co., Ltd.
Central P.O. Box 288, Osaka 530-91, Japan
