

---

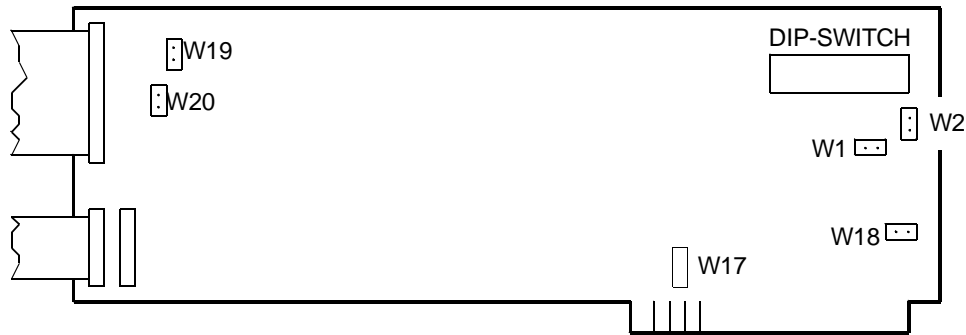
# MAGNETIC/OPTICAL PERIPHERAL CONTROLLERS

## TABLE OF CONTENTS OF MAGNETIC/OPTICAL PERIPHERAL CONTROLLERS

GO349 - GO310 ST506 / MFM .....	D - 2
GO391 ST506 / MFM.....	D - 3
WD1002A WX1 GO425 ST506 / MFM.....	D - 4
GO447 ST506 / MFM .....	D - 4
WD1002/WAH GO406 ST506 / MFM .....	D - 5
WD1003/WA2 GO714 COMBO ST506 / MFM / Int. 3:1 .....	D - 5
WD1006V /WA2 GO727 - COMBO ST506 / MFM/Int. 1:1 .....	D - 6
WD1003 RA-2 GO723 COMBO ST506 / RLL / Int. 2:1 .....	D - 7
WD1003 WAH GO717 ST506 / MFM / Int. 3:1 .....	D - 7
WD1005 WAH GO720 ESDI / Int. 3:1 .....	D - 8
WD1007 WAH GO728 ESDI / Int. 1:1 .....	D - 8
WD1007A/WA2 GO733 COMBO ESDI / Int. 1:1 .....	D - 9
WD1007V-SE2 GO535 COMBO ESDI .....	D - 10
WD1009V GO565 ESDI PERIPHERAL CONTROLLER BOARD .....	D - 11
GO582 SCSI HARD DISK CONTROLLER BOARD .....	D - 12
GO610 SCSI HARD DISK CONTROLLER BOARD .....	D - 13
PRIME 2 SUPER I/O CONTROLLER BOARD.....	D - 14
PRIME IIC SUPER I/O CONTROLLER BOARD .....	D - 16
GO718/GO725 STREAMING TAPE CONTROLLER BOARD .....	D - 18
ASC-1 INTERFACE BOARD .....	D - 19
ASC-2 SCSI INTERFACE BOARD.....	D - 22
INTEGRATED AT CD-ROM CONTROLLER BOARD.....	D - 27
ASC-2F SCSI INTERFACE BOARD.....	D - 28
ASC/PCI-2F (AHA-2940) SCSI INTERFACE BOARD.....	D - 31

**D**

**GO349 - GO310 ST506 / MFM (For M24 with BIOS 1.10 or 1.21)**



BQA1A

**JUMPERS**

JUMPERS		FUNCTION	ADDRESS
W1	W2		
IN	IN	I/O address	320 H *
IN	OUT		324 H
OUT	IN		328 H
OUT	OUT		32C H
W17		BIOS address	C800:0* D800:0
IN	OUT		

JUMPERS		FUNCTION	ADDRESS
W19	W20		
OUT	OUT	Dimensions hard disk sectors	286 Byte
OUT	IN		512 Byte *
IN	OUT		1024 Byte
W18		BIOS enable	Enabled * Disabled
IN	OUT		

**DIP-SWITCH**

DRIVE C:				HARD DISK MODEL	CAPACITY	NUMBER CYLINDERS	HEADS
SW3	SW4	SW7	SW8				
OFF	OFF	ON	ON	Standard	10 MB	306	4
OFF	ON	OFF	ON	Wren I full	30 MB	640	5
ON	ON	ON	ON	Standard	5 MB	306	4
OFF	OFF	OFF	ON	Segate ST225 (**)	20 MB	615	4
ON	ON	ON	OFF	OPE.XM 5220	20 MB	612	4
				Miniscribe 3425 (**)	20 MB	612	4

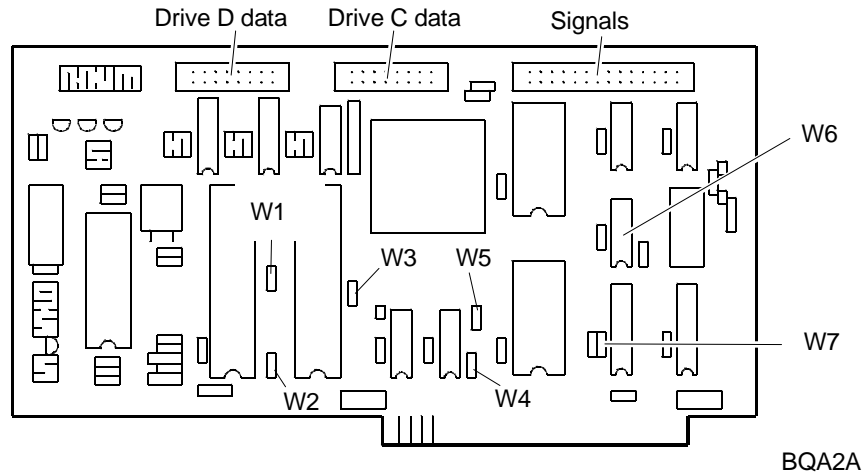
DRIVE D:				HARD DISK MODEL	CAPACITY	NUMBER CYLINDERS	HEADS
SW1	SW2	SW5	SW6				
OFF	OFF	ON	ON	Standard	10 MB	306	4
OFF	ON	OFF	ON	Wren I full	30 MB	640	5
ON	ON	ON	ON	Standard	5 MB	306	4
OFF	OFF	OFF	ON	Segate ST225 (**)	20 MB	615	4
ON	ON	ON	OFF	OPE.XM 5220	20 MB	612	4
				Miniscribe 3425 (**)	20 MB	612	4

(\*) Normal position

(\*\*) Managed only BIOS Lev. 1.21

**NOTE:** Formatting of the D.T.C. hard disk is not compatible with W.D. formatting.

**GO391 ST506 / MFM (For M24 - M24 SP with BIOS 1.36 + PL90)**



**D**

**JUMPERS**

JUMP.	POS.	FUNCTION
W1	1 - 2	Normal operation *
	2 - 3	Test
W2	1 - 2	Normal operation *
	2 - 3	Test
W3	IN	ROM BIOS on controller board
	OUT	ROM BIOS on system board

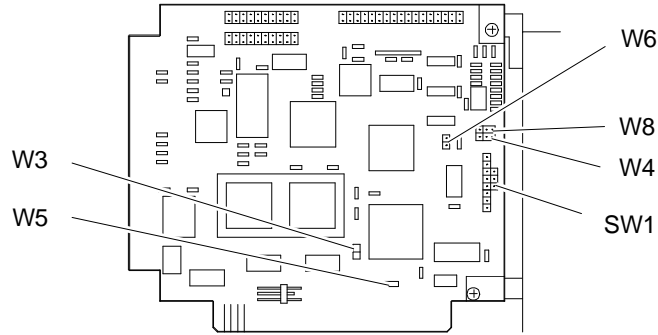
\* Normal position

JUMP.	POS.	FUNCTION
W4	1 - 2	I/O address I/O 320 H *
	2 - 3	I/O address 324 H
W5	1 - 2	ROM BIOS 32 K or 64 K *
	2 - 3	ROM BIOS 16 K
W6	1 - 2	Reduced Current 8 CAB
	2 - 3	Reduced Current 16 CAB *
W7	1 - 2	IRQ 5 *
	2 - 3	IRQ 2

**DIP-SWITCH**

SW1	SW2	SW3	SW4	SW5	SW6	SW7	SW8	MODEL	CAP.	CIL.	TES.
ON	ON	ON	ON	ON	ON	ON	ON	Wren I Full	30 MB	640	5
OFF	OFF	OFF	OFF	ON	ON	ON	ON	Standard	10 MB	306	4
ON	ON	ON	ON	OFF	ON	OFF	ON	XM 5220	20 MB	612	4
OFF	ON	OFF	ON	ON	ON	ON	ON	Miniscribe 3425	20 MB	612	4
OFF	ON	OFF	ON	ON	ON	ON	ON	Seagate ST225	20 MB	515	4

**WD1002A WX1 GO425 ST506 / MFM (For M24 - M24 SP BIOS 1.36/1.43 - M240)**



BSA5A

**JUMPERS**

JUMP.	POS.	FUNCTION
W3	IN	ROM BIOS on controller board
	OUT	ROM BIOS on system board *
W4	1 - 2	I/O address 320 H *
	2 - 3	I/O address 324 H
W5	1 - 2	ROM BIOS 32 K or 64 K *
	2 - 3	ROM BIOS 16 K

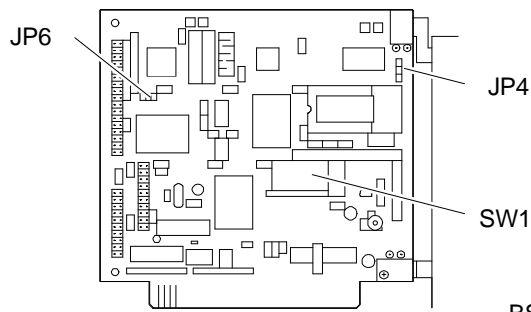
JUMP.	POS.	FUNCTION
W6	IN	Reduced Current 8 CAB
	OUT	Reduced Current 16 CAB *
W7	1 - 2	IRQ 5 *
	2 - 3	IRQ 2
W8	1 - 2	Two hard disk controllers *
	2 - 3	One hard disk controller

\* Default Position

**DIP-SWITCH**

P.C.	3	4	7	8	Unit C			
	1	2	5	6	Unit D			
					Capacity	Cyl.	Head	Dimensions
M24 SP	ON	ON	ON	ON	30 MB	640	5	5.25" full
	OFF	OFF	ON	ON	10 MB	306	4	5.25" slim
	ON	ON	OFF	ON	20 MB	612	4	5.25" slim
					20 MB	612	4	5.25" slim
					20 MB	612	4	5.25" slim
		OFF	ON	ON	ON	20 MB	615	4
M240	OFF	ON	ON	ON	20 MB	615	4	3.5"
	ON	OFF	ON	ON	20 MB	612	4	3.5"
	OFF	ON	OFF	OFF	20 MB	612	4	3.5"
					40 MB	612	4	3.5"
	ON	ON	OFF	ON	40 MB	615	8	3.5"
	OFF	ON	ON	OFF	40 MB	820	8	3.5"

**GO477 ST506 / MFM (For M240)**



BSA5A

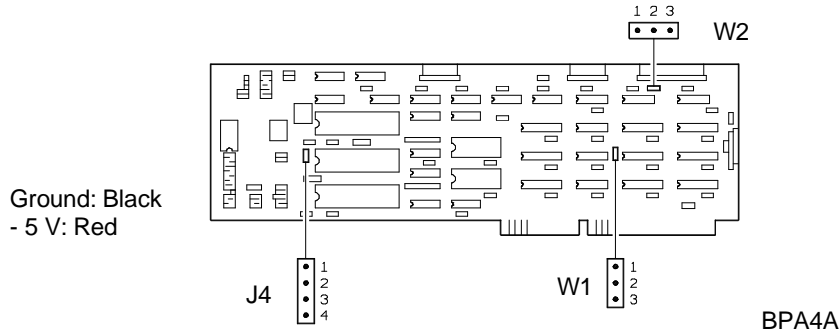
**JUMPERS**

JUMP.	POS.	FUNCTION
JP4	2 - 3	Normal
JP6	2 - 3	Recording Current

**DIP-SWITCH SW1**

Same as on the GO425 board.

**WD1002/WAH GO406 ST506 / MFM (For M28)**



**D**

**JUMPERS**

JUMP.	POS.	FUNCTION
W1	1 - 2	Primary address 1F0 *
	2 - 3	Primary address 170
W2	NL *	Mode of operation
	L	

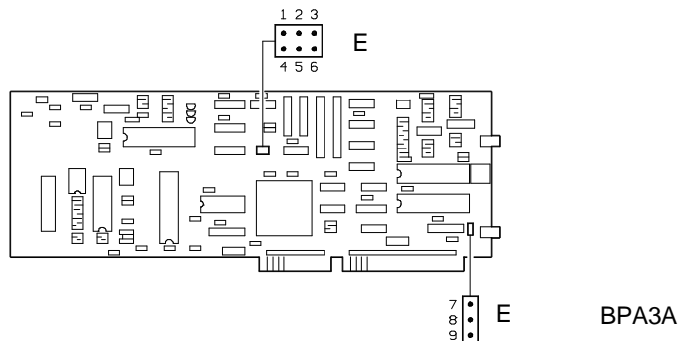
**NOTE:** DMA channel = 3  
Interrupt = 14.

\* Default Position

**SELECTION OF THE HARD DISK SYSTEM SET-UP TYPE**

TYPE	CAPACITY	CYL.	HEADS	MODEL	SIZE	ACCESS TIME
1	10 MB	306	4	Standard 10 MB	5.25" Slim	85
2	20 MB	615	4	XM5221 / Seagate ST225	5.25" Slim	65
6	40 MB	820	6	XM5340	5.25" Slim	40
7	40 MB	615	8	NEC 5146 H	5.25" Slim	40
9	40 MB	981	5	WREN II 94205/51	5.25" Slim	28
12	68 MB	1024	8	Micropolis 1325	5.25" Slim	28
13	68 MB	925	9	WREN II 94155/86	5.25" Slim	28
14	40 MB	1024	5	Micropolis 1323 A	5.25" Slim	28
16	20 MB	612	4	XM 5220 / NEC 5126	5.25" Slim	85
16	20 MB	612	4	NEC 5126 H	5.25" Slim	40
18	40 MB	820	6	Seagate ST251	5.25" Slim	40

**WD1003/WA2 GO714 COMBO ST506/MFM Int. 3:1(For M28 - M280)**



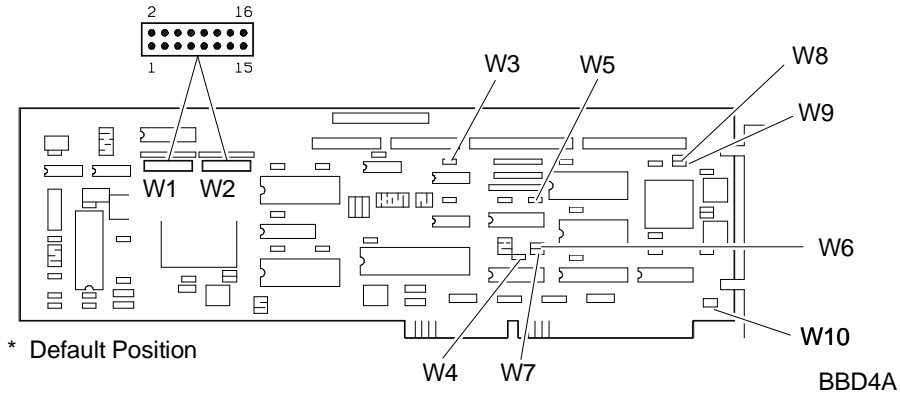
JUMPER	POSITION	FUNCTION
E1 - E2 - E3	E2 - E3	HDU registers as primary adapter *
E4 - E5 - E6	E5 - E6	FDU registers as primary adapter
E7 - E8 - E9	E7 - E8	Speed selection

**NOTE:** On M28 P.C. BIOS REL. 2.07 is needed to install this controller.

**SELECTION OF THE HARD DISK SYSTEM SETUP TYPE** \* Default Position

Same as that of board GO406.

**WD1006V /WA2 GO727 - COMBO ST506/MFM/Int. 1:1 (For M290)**



**JUMPERS**

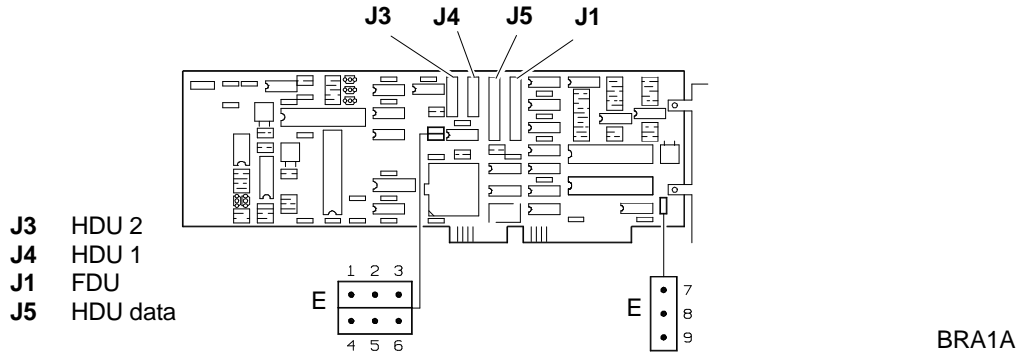
<b>W1 - DRIVE 1 / W2 - DRIVE 2</b>				
Position	Function		Position	Function
1 - 2	3 - 4	Record mode	9 - 10	Look Ahead track
OUT	OUT	MFM *	IN	Disabled
IN	OUT	RLL	OUT	Enabled *
OFF	IN	ARLL	11 - 12	Data decode type
IN	IN	NRZ	IN	If unit 1 is different from unit 2
			OUT	Unit 1 is the same as unit 2 *
5 - 6	Reserved		13 - 14	Data buffer dimensions
IN	Not used		IN	32 Kb
OUT	Normal		OUT	8 Kb *
7 - 8	Number of ECC Bytes		15 - 16	Reserved
IN	7 Byte		IN	Not used
OUT	4 Byte *		OUT	Normal *

**NOTE:** If recording mode of unit 1 is different from that of drive 2, then set jumper 11 - 12 of W1 to the IN position.

<b>W3 Floppy Disk controller</b>		<b>W4 Floppy Disk I/O addresses</b>	
Position	Function	Position	Function
1 - 2	5.25" and 3.5" 720 KB units	IN	Secondary address 370 - 377
2 - 3	3.5" 1.44 MB unit	OUT	Primary address 3F0 - 3F7
<b>W5 Hard Disk I/O addresses</b>		<b>W8 Speed of the drives</b>	
Position	Function	Position	Function
IN	Secondary address 170 - 177	IN	Normal
OUT	Primary address 1F0 - 1F7	OUT	Twin speed
<b>W6 W7 ROM BIOS selection and addresses</b>		<b>W9 Precompensation</b>	
Position	Function	Position	Function
IN	IN	IN	208.3 ns/300 Kbps
IN	OUT	OUT	125 ns
OUT	IN		
OUT	OUT	W10	Logic ground always IN

**NOTE:** 1.44 MB and 720 KB drives cannot be installed together.

**WD1003 RA-2 GO723 COMBO ST506/RLL/Int. 2:1 (For M280 - M380 C)**

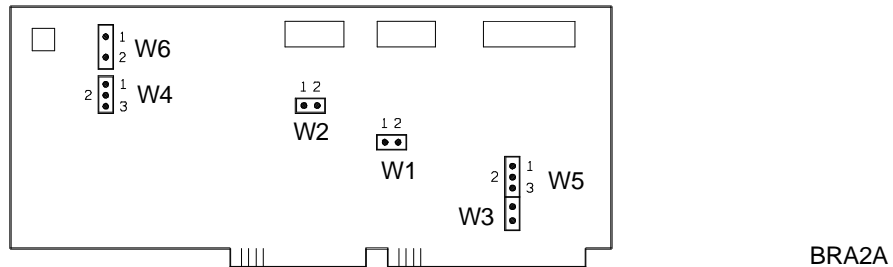


JUMPER	POSITION	FUNCTION
E1 - E2 - E3	E2 - E3	Hard Disk register addresses 1F0 - 1F7
E4 - E5 - E6	E5 - E6	Floppy Disk register addresses 3F0 - 3F7
E7 - E8 - E9	E7 - E8	Floppy type selection

**SELECTION OF THE HARD DISK SYSTEM SETUP TYPE**

TYPE	CAPACITY	CYL.	HEADS	MODEL	SIZE	ACCESS TIME
23	62 MB	615	8	NEC 5147 H	5.25" Slim	40
30	62 MB	981	5	CDC WREN II 94205-77	5.25" Slim	40

**WD1003 WAH GO717 ST506/MFM/Int. 3:1(For M380)**



**JUMPERS**

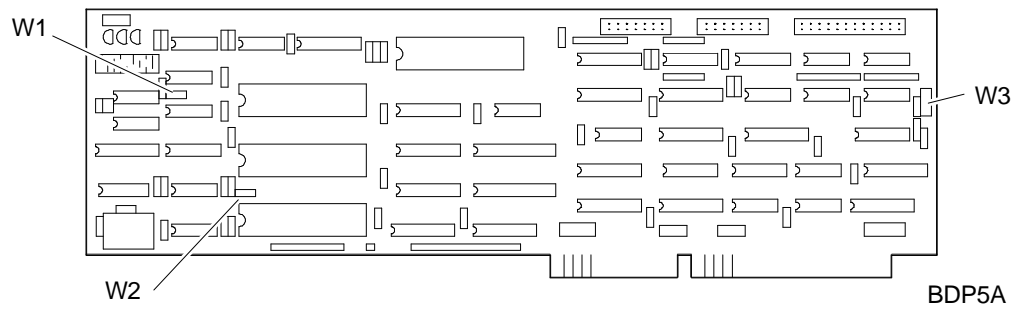
JUMP.	POS.	FUNCTION	JUMP.	POS.	FUNCTION
<b>W1</b>	OUT	Operating mode non-latched	<b>W4</b>	1 - 2	Twin-drive support (612 cyl. 2 Hds.)
	IN	Operating mode latched		2 - 3	Normal *
<b>W2</b>	OUT	Primary address 1F0 - 1F7 *	<b>W5</b>	1 - 2	Current recording mode
	IN	Secondary address 170 - 177		2 - 3	Normal *
<b>W3</b>	OUT	Normal *	<b>W6</b>	1 - 2	STEP speed
	IN	RESET (only if W5 1-2 is IN)		2 - 3	Normal *

**SELECTION OF HARD DISK SYSTEM SETUP TYPE**

TYPE	CAPACITY	CYL.	HEADS	MODEL	SIZE	ACCESS TIME
6	40 MB	820	6	XM5340	5.25" Slim	40
7	40 MB	615	8	NEC 5146 H	5.25" Slim	40
12	68 MB	1024	8	Micropolis 1325	5.25" Full	28
13	68 MB	925	9	CDC WREN II 94155-86	5.25" Full	28

\* Default position

**WD1005 WAH GO720 ESDI/Int. 3:1 (For M380)**



**JUMPERS**

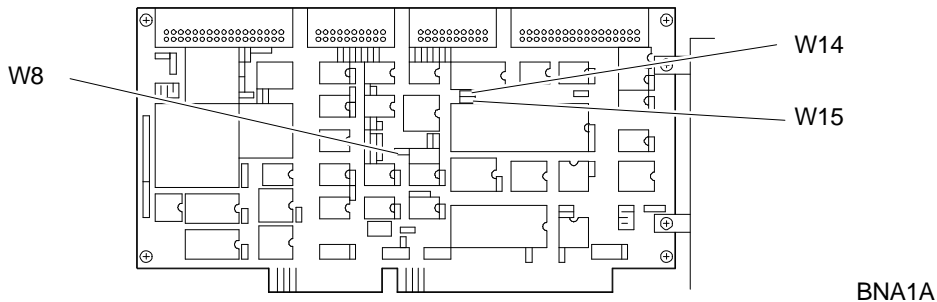
JUMPER	POSITION	FUNCTION
W1	OUT	Normal
	IN	Extra address enable
W2	OUT	Normal
W3	2 - 3	Primary address 1F0 - 1F7 *
	1 - 2	Secondary address 170 - 177

\* Default Position

**SELECTION OF THE HARD DISK SYSTEM SETUP TYPE**

TYPE	CAPACITY	CYL..	HEADS	MODEL	SIZE	ACCESS TIME
25	135 MB	1021	8	Micropolis 1355	5.25" Full	25
24	135 MB	820	10	NEC 5652 / Fujitsu M2246	5.25" Full	25

**WD1007 WAH GO728 ESDI/Int. 1:1 (For M380 XP)**



JUMPER	POSITION	FUNCTION
W8	OUT	Mode of operation
W14	OUT	Sector slip
W15	IN	ECC selection

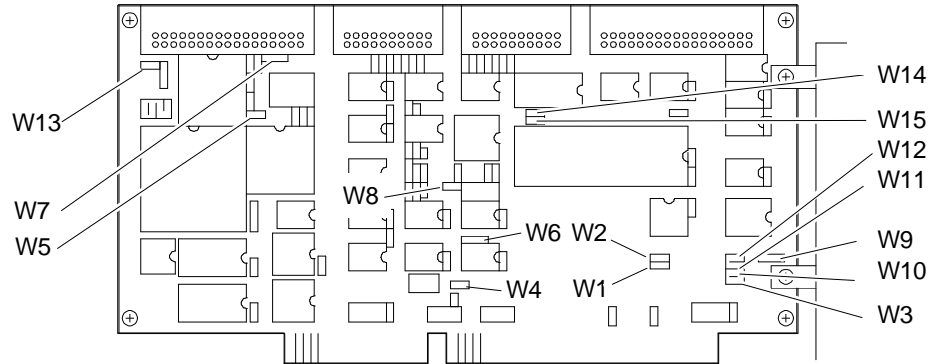
**NOTE:** On the board there are 15 jumpers from W1 to W15. However it is only possible to get at jumpers W8 - W14 - W15

**SELECTION OF THE HARD DISK SYSTEM SETUP TYPE**

TYPE	CAPACITY	CYL.	HEADS	MODEL	SIZE	ACCESS TIME
31	300 MB	814	15	NEC 1558/Micropolis 1558	5.25" Full	25
32	80 MB	977	5	CDC WREN 94216-106	5.25" Slim	20
24	135 MB	820	10	NEC 5652/Fujitsu 2246	5.25" Full	25
25	135 MB	1021	8	Micropolis 1355	5.25" Full	25



**WD1007A/WA2 GO733 COMBO ESDI/Int. 1:1 (For M380/XP4 - M380/XP7)**



BOA1A

**JUMPERS**

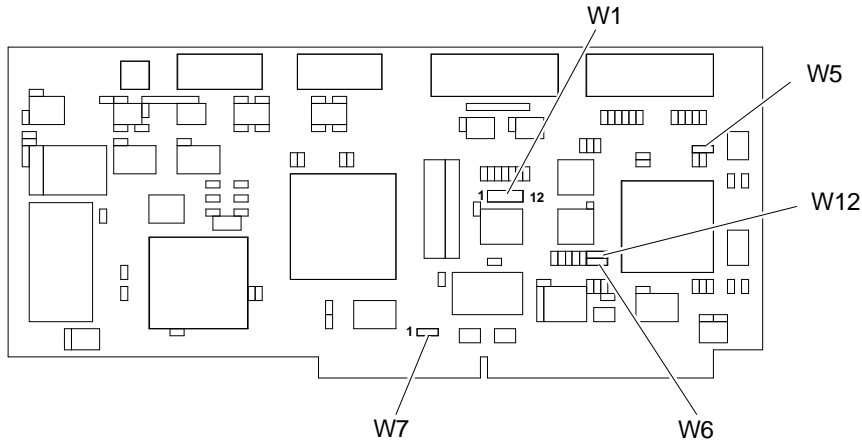
W1 - W2 BIOS addresses			W3 BIOS buffer	
W1	W2	Function	Position	Function
2 - 3	2 - 3	C800 - C9FFF	OUT	Disabled *
2 - 3	1 - 2	CA00 - CBFFF	IN	Enabled
1 - 2	2 - 3	CC00 - CDFFF		
1 - 2	1 - 2	CE000 - CFFFF		
W4 - W13 Floppy Disk controller			W5 Spindle Motor Speed	
W4	W13	Function	Position	Function
OUT	IN	Enabled *	OUT	1 Speed *
IN	OUT	Disabled	IN	2 Speed
W6 Floppy Disk controller addresses			W7 Unit type A	
Position	Function		Position	Function
1 - 2	37X		1 - 2	5,25" 1.2 MB *
2 - 3	3FX *		2 - 3	3.5" 1.44 MB
W8 Mode of operation			W9 Physical and logic ground	
IN	WD 1005		1 - 2	Not connected *
OUT	WD 1007 *		2 - 3	Connected
W10 Input mode			W11 Disk Change Floppy disk	
OUT	Non-Latched *		IN	Active *
IN	Latched		OUT	Non-active
W12 Hard Disk controller addresses			W14 Sector Slip	
OUT	1FX *		OUT	Enabled *
IN	17X		IN	Non-enabled
W15 ECC selection			<b>NOTE:</b> Jumpers W1 - W2 - W3 - W13 - W9 - W10 - W12 are wired on the board.	
IN *	7 Byte *			
OUT	4 Byte			

**SELECTION OF THE HARD DISK SYSTEM SET-UP TYPE**

\* Default Position

TYPE	CAPACITY	CYL.	HEADS	MODEL	SIZE	ACCESS TIME
31	300 MB	814	15	Micropolis 1558	5.25" Full	25
33	135 MB	1246	7	NEC D5655 Micropolis 1654 / 7	5.25" Slim	25

**WD1007V-SE2 GO535 COMBO ESDI (M380/XP9)**



**JUMPER BLOCK W1**

JUMPER	POSITION	FUNCTION
1 - 2	IN	Disable cache
	OUT	Enable cache
3 - 4	IN	ECC 7 bit
	OUT	ECC 4 bit
5 - 6	IN	Disable translation
	OUT	Enable translation
7 - 8	-	Reserved
9 - 10	IN	35 sectors per track
	OUT	Software selectable sectors number per track
11 - 12	IN	Enable alternate sector
	OUT	Disable alternate sector

**JUMPER W5**

OUT: Floppy disk single speed drive  
 IN: Not used - Floppy disk dual speed drive

**JUMPERS W6 AND W12**

JUMPER	POSITION	FUNCTION
W6 W12	OUT	<b>I/O address range</b> of board for floppy disk and <b>primary</b> hard disk controller (3FX, 37X)
W6 W12	IN	<b>I/O address range</b> of board for floppy disk and <b>secondary</b> hard disk controller (1FX, 17X)

**JUMPERS W7**

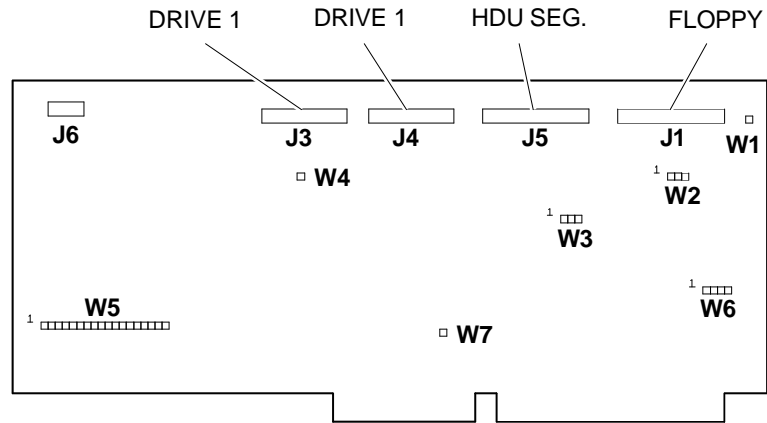
Position 1 - 2 Hard disk interrupt level IRQ14  
 Position 2 - 3 Hard disk interrupt level IRQ15

**600 MB HDU INSTALLATION VIA USER DISKETTE**

Select a specific value for hard disk type according to the operating system to be installed in the system as shown below:

- Value of hard disk type 38      SCO UNIX, AT&T 4.0 UNIX
- Value of hard disk type 39      Can be used by any operating system, but limits the hard disk capacity to 528 MB
- Value of hard disk type 40      Olivetti DOS, Olivetti OS/2

**WD1009V GO565 ESDI PERIPHERALS CONTROLLER BOARD (For M486 ESDI)**



**D**

**JUMPER BLOCK W5**

PIN	POS.	FUNCTION
23 - 24	OUT	Enable hard disk
	IN	Disable hard disk
21 - 22	OUT	Hard disk primary address
	IN	Hard disk secondary address
19 - 20	OUT	DMA6
	IN	DMA7
17 - 18	**	Interrupt channel selection
15 - 16		
13 - 14	OUT	Enable BIOS
	IN	Disable BIOS
11 - 12	OUT	BIOS primary address
	IN	BIOS secondary address
9 - 10	OUT	Cache function enabled
	IN	Cache function disabled
7 - 8	OUT	ECC 4 byte
	IN	ECC 7 byte
5 - 6	OUT	35 sectors / 53 tracks
	IN	Physical operation mode
3 - 4	OUT	Translation enabled
	IN	Translation disabled
1 - 2	OUT	Alternate sectors function disabled
	IN	Alternate sectors function enabled

\*\*

PIN 15-16	PIN 17-18	INTERRUPT
OUT	OUT	IRQ14
OUT	IN	IRQ13
IN	OUT	IRQ12
IN	IN	IRQ11

**JUMPER W1**

OUT Board ground not connected to logic ground  
 IN Board ground connected to logic ground

**JUMPER BLOCK W6**

PIN	POS.	FUNCTION
1 - 2	OUT	Enable floppy
	IN	Disable floppy
3 - 4	OUT	DMA 2
	IN	DMA 3
5 - 6	OUT	Floppy primary address
	IN	Floppy secondary address
7 - 8	OUT	Single speed for 1.2 MB 5.25" drive
	IN	Dual speed for 1.2 MB 5.25" drive

**JUMPER BLOCK W3**

PIN	POS.	FUNCTION
1 - 2	IN	Drive floppy disk type AT (3.5 1.44" MB)
2 - 3	IN	Drive floppy disk type PS2 (3.5 1.44" MB)

**JUMPER BLOCK W2**

PIN	POS.	FUNCTION
1 - 2	IN	Third floppy disk connected with a twisted cable
2 - 3	IN	Third floppy disk connected with a not twisted cable

**JUMPER W7**

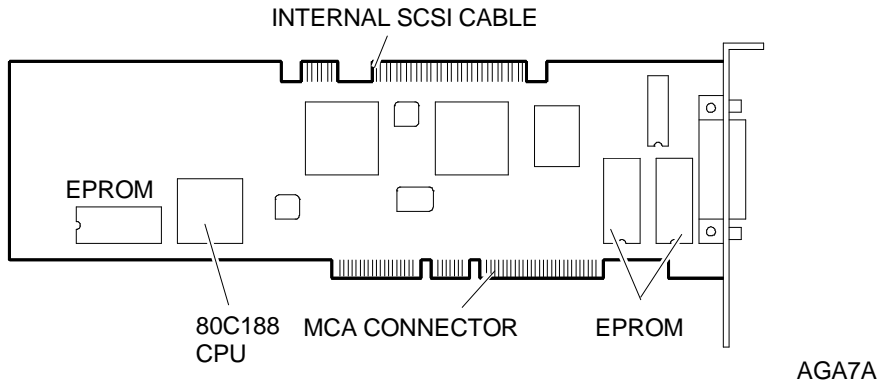
IN EISA selfconfiguration disabled  
 OUT EISA selfconfiguration enabled

**JUMPER W4**

OUT Board always enabled  
 IN Board enabled only by host computer

---

## GO582 SCSI HARD DISK CONTROLLER BOARD (For M480-30, M480-40)



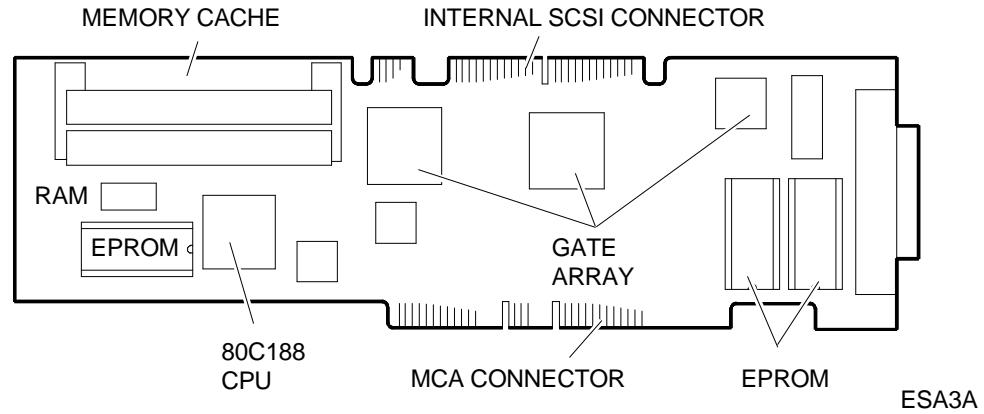
Board GO582 must be configured with SCSI ID **7** and the terminator installed. The terminator is installed on the cable.

The system's first hard disk must be configured with SCSI ID **6** and have the terminators installed.

A second hard disk can be configured with a SCSI ID ranging from **0 to 5**.

<b>SCSI ID</b>	<b>USE</b>
0	Available for expansion
1	Available for expansion - Used by the second HDU
2	Available for expansion
3	Available for expansion
4	Available for expansion
5	Available for expansion
7	Board GO582 ID

**GO610 SCSI HARD DISK CONTROLLER BOARD (For M480-30, M480-40)**



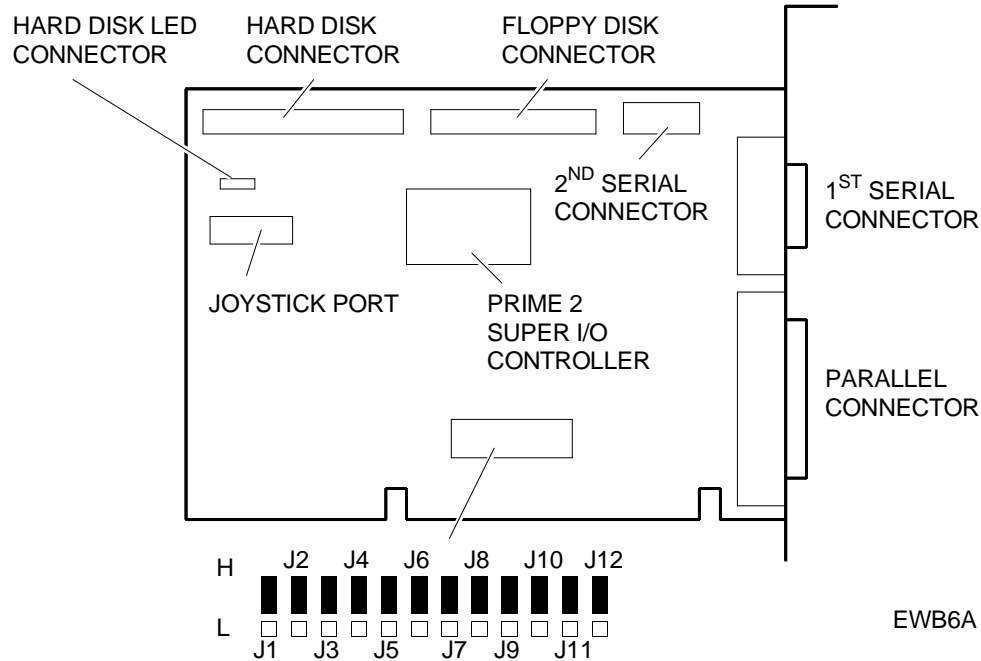
Board GO610 must be configured with SCSI ID **7** and have the terminator installed.

The system's first hard disk must be configured with SCSI ID **6** and have the terminators installed.

A second hard disk can be configured with a SCSI ID ranging from **0 to 5**.

SCSI ID	USE
0	Available for expansion
1	Available for expansion- Used by the second HDU
2	Available for expansion
3	Available for expansion
4	Available for expansion
5	Available for expansion
6	First hard disk installed in the system
7	GO610 board ID

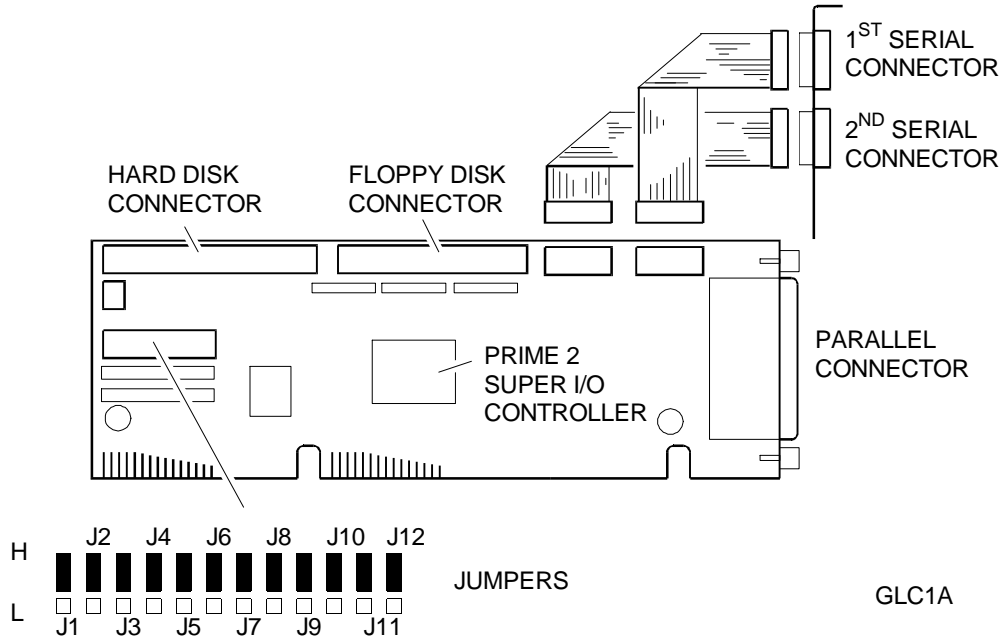
**PRIME 2 SUPER I/O CONTROLLER BOARD (For the PCS 30 / 40, PCS42 with TIN BOX)**



**JUMPERS**

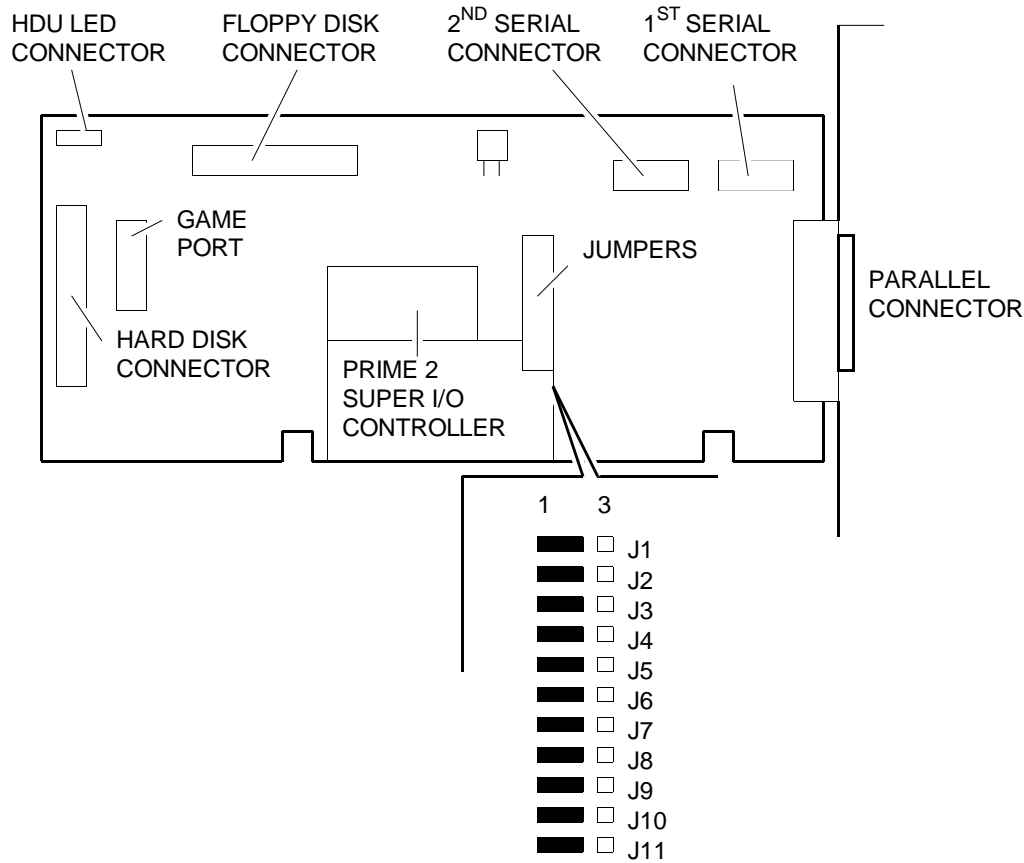
DEVICE	JUMP.	SETTING	FUNCTION
Floppy disk interface	J1	H	Enables the floppy disk interface
		L	Disables the floppy disk interface
	J2	H	Addresses the floppy disk interface at 3F0-3F7 h
		L	Addresses the floppy disk interface at 370-377 h
IDE AT hard disk interface	J3	H	Enables the hard disk interface
		L	Disables the hard disk interface
AT HDU interf. addresses	J4	H	Addresses the AT HDU interf. at 1F0-1F7 h & 3F6-3F7 h
		L	Addresses the AT HDU interf. at 170-177 h & 376-377 h
XT HDU interf. addresses	J5	H	Addresses the XT HDU interf. at 320 - 323 h
		L	Addresses the XT HDU interf. at 324 - 327 h
AT or XT HDU selection	J6	H	IDE AT hard disk
		L	IDE XT hard disk
Serial port 1	J7	H	Enables serial port 1
		L	Disables serial port 1
	J8	H	Addresses serial port 1 at 3F8-3FF h & IRQ4 (COM1)
		L	Addresses aerial port 1 at 3E8-3EF h & IRQ4 (COM3)
Serial port 2	J9	H	Enables serial port 2
		L	Disables serial port 2
	J10	H	Addresses serial port 2 at 2F8-2FF h & IRQ3 (COM2)
		L	Addresses serial port 2 at 2E8-2EF h & IRQ4 (COM4)
Parallel port	J11	H	Enables the parallel port
		L	Disables the parallel port
	J12	H	Addresses the parallel port at 378-37F h & IRQ7 (LPT1)
		L	Addresses the parallel port at 278-27F h & IRQ7 (LPT2)

**PRIME 2 SUPER I/O CONTROLLER BOARD (For the PCS42 with SLIM TIN BOX)**



DEVICE	JUMP.	SET.	FUNCTION
Floppy disk interface	J1	H L	Enables the floppy disk interface Disables the floppy disk interface
	J2	H L	Addresses the floppy disk interface at 3F0-3F7h Addresses the floppy disk interface at 370-377h
IDE AT hard disk interface	J3	H L	Enables the hard disk interface Disables the hard disk interface
AT hard disk interface address	J4	H L	Addresses the AT HDU interf. at 1F0-1F7h & 3F6-3F7h Addresses the AT HDU interf. at 170-177h & 376-377h
COM 1 Serial port 1	J5	H L	Enables the serial port 1 Disables the serial port 1
	J6	H L	Addresses serial port 1 at 3F8-3FFh & IRQ4 (COM1) Addresses serial port 1 at 3E8-3EFh & IRQ4 (COM3)
COM2 Serial port 2	J7	H L	Enables serial port 2 Disables serial port 2
	J8	H L	Addresses serial port 2 at 2F8-2FFh & IRQ3 (COM2) Addresses serial port 2 at 2E8-2EFh & IRQ3 (COM4)
Parallel port	J9	H L	Enables the parallel port Disables the parallel port
	J10	H L	Addresses the parallel port at 378-37Fh & IRQ7 (LPT1) Addresses the parallel port at 278-27F & IRQ7 (LPT2)

**PRIME IIC SUPER I/O CONTROLLER BOARD (For the PCS42 with TIN BOX)**



DEVICE	JUMP.	SET.	FUNCTION
Floppy disk interface	J1	1 - 2 2 - 3	Enables the floppy disk interface Disables the floppy disk interface
	J2	1 - 2 2 - 3	Addresses the floppy disk interface at 3F0-3F7h Addresses the floppy disk interface at 370-377h
IDE AT hard disk interface	J3	1 - 2 2 - 3	Enables the hard disk interface Disables the hard disk interface
AT hard disk interface address	J4	1 - 2 2 - 3	Addresses the AT HDU interface at 1F0-1F7h & 3F6-3F7h Addresses the AT HDU interface at 170-177h & 376-377h
Game Port	J5	1 - 2 2 - 3	Enables the game port Disables the game port
Parallel port	J6	1 - 2 2 - 3	Enables the parallel port Disables the parallel port
Parallel port address	J7	1 - 2 2 - 3	Addresses the parallel port at 378-37Fh & IRQ7 (LPT1) Addresses the parallel port at 278-27F & IRQ7 (LPT2)



DEVICE	JUMP.	SET.	FUNCTION
COM 1 Serial port 1	J8	1 - 2 2 - 3	Enables serial port 1 Disables serial port 1
Serial port 1 address	J9	1 - 2 2 - 3	Addresses serial port 1 at 3F8-3FFh & IRQ4 (COM1) Addresses serial port 1 at 3E8-3EFh & IRQ4 (COM3)
COM 2 Serial port 2	J10	1 - 2 2 - 3	Enables serial port 2 Disables serial port 2
Serial port 2 address	J11	1 - 2 2 - 3	Addresses serial port 2 at 2F8-2FFh & IRQ3 (COM2) Addresses serial port 2 at 2E8-2EFh & IRQ3 (COM4)

**D**