



IBM NetMEDIA
Systems Management Adapter

User's Guide
Revision 1.0

Options by IBM

The following paragraph does not apply to the United Kingdom or any country where such provisions are inconsistent with local law: INTERNATIONAL BUSINESS MACHINES CORPORATION PROVIDES THIS PUBLICATION "AS IS" WITHOUT WARRANTY OF ANY KIND, EITHER EXPRESS OR IMPLIED, INCLUDING, BUT NOT LIMITED TO, THE IMPLIED WARRANTIES OF MERCHANTABILITY OR FITNESS FOR A PARTICULAR PURPOSE. Some states do not allow disclaimer of express or implied warranties in certain transactions, therefore, this statement may not apply to you.

This publication could include technical inaccuracies or typographical errors. Changes are periodically made to the information herein; these changes will be incorporated in new editions of the publication. IBM may make improvements and/or changes in the product(s) and/or the programs(s) described in this publication at any time.

This publication was developed for products and services offered in the United States of America. IBM may not offer the products, services, or features discussed in this document in other countries, and the information is subject to change without notice. Consult your local IBM representative for information on the products, services, and features available in your area.

Requests for technical information about IBM products should be made to your IBM reseller or IBM marketing representative.

Safety



Before installing this product, read the Safety Information.

Antes de instalar este produto, leia as Informações de Segurança.

在安装本产品之前，请仔细阅读 **Safety Information** (安全信息)。

Prije instalacije ovog produkta obavezno pročitajte Sigurnosne Upute.

Před instalací tohoto produktu si přečtěte příručku bezpečnostních instrukcí.

Læs sikkerhedsforskrifterne, før du installerer dette produkt.

Ennen kuin asennat tämän tuotteen, lue turvaohjeet kohdasta Safety Information.

Avant d'installer ce produit, lisez les consignes de sécurité.

Vor der Installation dieses Produkts die Sicherheitshinweise lesen.

Πριν εγκαταστήσετε το προϊόν αυτό, διαβάστε τις πληροφορίες ασφάλειας (safety information).

A termék telepítése előtt olvassa el a Biztonsági előírásokat!

Prima di installare questo prodotto, leggere le Informazioni sulla Sicurezza

製品の設置の前に、安全情報をお読みください。

본 제품을 설치하기 전에 안전 정보를 읽으십시오.

Пред да се инсталира овој продукт, прочитајте информацијата за безбедност.

Lees voordat u dit product installeert eerst de veiligheidsvoorschriften.

Les sikkerhetsinformasjonen (Safety Information) før du installerer dette produktet.

Przed zainstalowaniem tego produktu, należy zapoznać się z książką "Informacje dotyczące bezpieczeństwa" (Safety Information).

Antes de instalar este produto, leia as Informações sobre Segurança.

Перед установкой продукта прочтите инструкции по технике безопасности.

Pred inštaláciou tohto zariadenia si pečítajte Bezpečnostné predpisy.

Pred namestitvijo tega proizvoda preberite Varnostne informacije.

Antes de instalar este producto lea la información de seguridad.

Läs säkerhetsinformationen innan du installerar den här produkten.

安裝本產品之前，請先閱讀「安全資訊」。

Packaging Materials

The IBM NetMEDIA Systems Management Adapter is shipped in a container designed to provide protection and prevent damage during shipment. This product was carefully inspected before and during the packing procedure at the factory. Evidence of any damage should be reported to the shipper immediately.

Before removing any component from its packaging, discharge any static electricity by touching a properly grounded metal object.

Package Contents

Items	Quantity
IBM NetMEDIA Systems Management Adapter	1
DC Power Cable	1
User's Guide	1

If any items are missing or damaged, contact your IBM reseller or IBM marketing representative.

Serial Number

The NetMEDIA Systems Management Adapter is labeled with a serial number. Locate the serial number and record the number in the space provided below. This information can be helpful if you ever need to have this product serviced. Please see "Appendix A: Help and Service Information" for further details.

**IBM NetMEDIA Systems
Management Adapter
Serial Number**

Table of Contents

Page

Safety	i
Packaging Materials	ii
Package Contents	ii
Serial Number	ii
Chapter 1. IBM NetMEDIA SYSTEMS MANAGEMENT ADAPTER	
General Description	1
NetMEDIA Systems Management Adapter (External)	2
NetMEDIA Systems Management Adapter (Internal)	3
Chapter 2. SYSTEMS MANAGEMENT ADAPTER INSTALLATION	
Installing the Adapter(s) into the NetMEDIA Chassis	5
Removing the Slot Card	5
Installing the DC Power Cable	6
Installing the NetMEDIA Adapter	7
APPENDICES	
Appendix A: Help and Service Information	10
Appendix B: Warranty and Notices	12
Appendix C: Electronic Emission Notices	18
Appendix D: Specifications/Dimensions	21

List of Figures

Figure 1: NetMEDIA Systems Management Adapter	1
Figure 2: NetMEDIA Adapter (External)	2
Figure 3: NetMEDIA Adapter (Internal)	3
Figure 4: NetMEDIA Slot Card Removal	5
Figure 5: Connecting the DC Power Cable to the Power Supply Bracket	6
Figure 6: NetMEDIA Adapter Installation	7
Figure 7: Proper Orientation of the NetMEDIA Adapter	8

This Page Left Blank Intentionally.

General Description

The IBM NetMEDIA Systems Management Adapter is an optional interface adapter card available for the NetMEDIA chassis. The NetMEDIA Adapter interfaces between the SCSI signals from a server to the devices installed in the NetMEDIA, providing SCSI Ultra2 compatibility, chassis system monitoring, and other system enhancements.

Specifically, the NetMEDIA Adapter:

- Provides a Low Voltage Differential Single-Ended (LVDS) to Single-Ended (S.E.) SCSI conversion feature which auto-senses for S.E. or LVD mode. This will allow the attachment of an LVDS channel to the NetMEDIA without requiring LVDS devices inside.
- Provides a SCSI signal repeater function. This will accommodate longer overall cable lengths to support Ultra2 (LVD).
- Provides system monitoring. The SAF-TE (SCSI Accessed Fault Tolerant Enclosures) circuitry on-board will monitor environmental parameters such as power supplies, fans, and temperature statuses.
- Provides on-board SCSI signal circuitry that will automatically enable or disable termination, adjusting accordingly. This allows multiple NetMEDIAS to be daisy-chained together.

Contact your IBM reseller or IBM marketing representative for further ordering information.

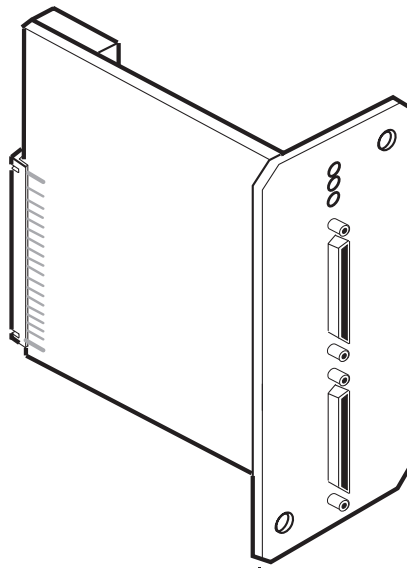


Figure 1: NetMEDIA Systems Management Adapter

NetMEDIA Systems Management Adapter (External)

Figure 2 displays the following:

LEDs- Illuminate to provide a visual indication for:

- TERM PWR External Termination Power Enable
- S.E. SCSI External Single-Ended Mode
- LVD SCSI External LVD Mode

External SCSI I/O Connectors- The NetMEDIA Adapter is equipped with two (2) 68-pin VHDCI connectors.

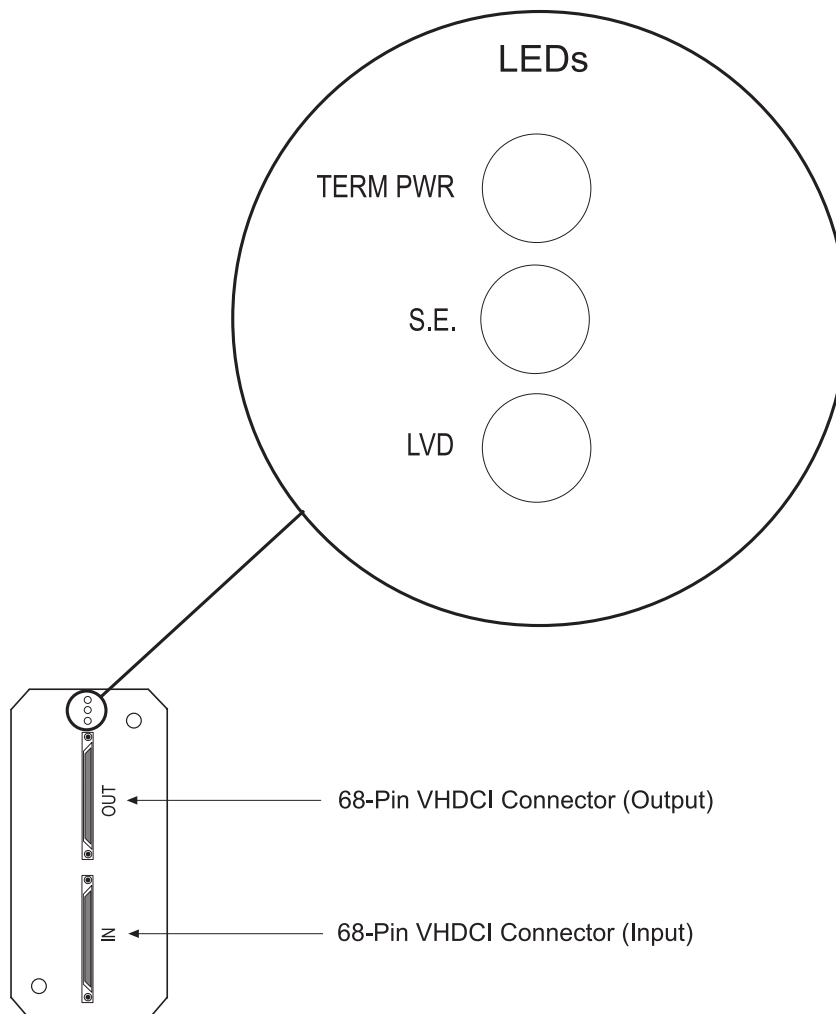


Figure 2: NetMEDIA Adapter (External)

NetMEDIA Systems Management Adapter (Internal)

Figure 3 displays the following:

Internal SCSI I/O Connector- The NetMEDIA Adapter is equipped with one (1) 68-pin Wide SCSI connector.

DC Power Connector- The NetMEDIA Adapter package includes one (1) DC power cable.

SAF-TE Monitoring Chip- Provides the control logic needed to monitor and manage such environmental parameters as fans, power supplies, and temperature status. This chip is implemented as a standard SCSI target and supports the SAF-TE specification. It accepts input from external sensors and allows the host system to control audible alarms and visual indicators (i.e. LEDs) in the NetMEDIA Storage Expansion Chassis.

Jumper Options-

- **J1-** Not used
- **J4-** Not used
- **J8-** External Term Power Enabled (with jumper installed)
- **J9-** Internal Term Power Enabled (with jumper installed)

LED- Provides a visual indication of SCSI bus activity (illuminates while SCSI bus is busy).

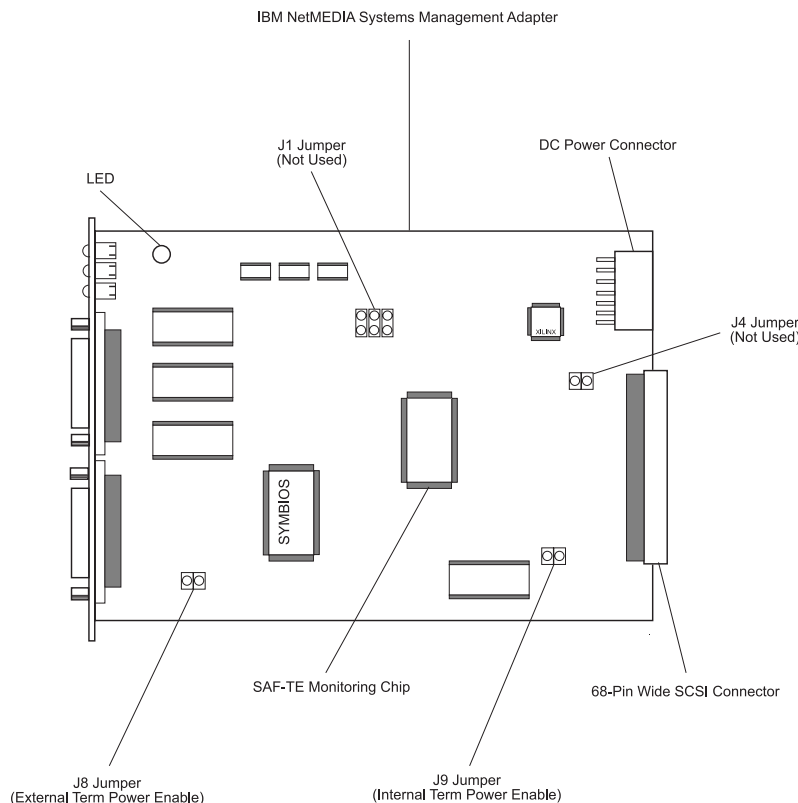


Figure 3: NetMEDIA Adapter (Internal)

This Page Left Blank Intentionally.

NetMEDIA SYSTEMS MANAGEMENT ADAPTER INSTALLATION

Installing the NetMEDIA Adapter(s) into the NetMEDIA Chassis

While performing the steps in this section, work on a soft surface to prevent excessive shock to the adapter(s) and to protect the finish of the chassis. If already installed into a rack cabinet, the NetMEDIA chassis *must be removed* so that the top panel can be accessed. The removal of the top panel is necessary for the installation of the NetMEDIA Adapter and its accompanying DC power cable. A flat head screwdriver will be required.

Removing the Slot Card

1. Remove ALL power from the NetMEDIA chassis before working on the unit.
2. Verify that all power and I/O cables have been disconnected from the NetMEDIA chassis. Remove the unit from the rack cabinet, if already installed.
3. Place the unit on a soft, clean surface in a well-lit area with sufficient working space around the chassis.
4. Remove the two (2) M3.5 screws that secure the slot card to the NetMEDIA chassis as shown in Figure 4. After the screws are removed, carefully remove the slot card. The slot card will be attached to the internal SCSI I/O cable.
5. Carefully disconnect the internal SCSI I/O cable from the slot card and remove card.

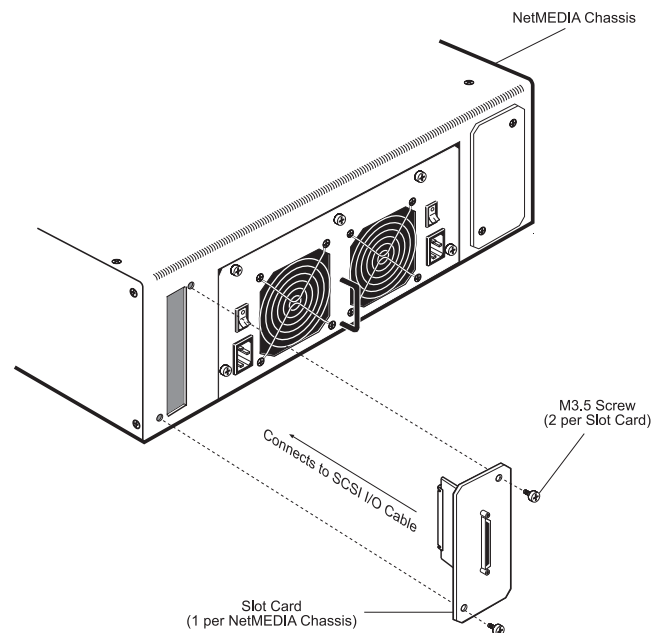


Figure 4: NetMEDIA Slot Card Removal

Installing the DC Power Cable

1. Remove ALL power from the NetMEDIA chassis before working on the unit.
2. Remove the top panel from the NetMEDIA chassis (Refer to the IBM NetMEDIA Storage Expansion Chassis Unit EL User's Guide for specific instructions).
3. With the top panel removed, the power supply bracket can be accessed for installation of the DC power cable. The DC power cable (via the power supply interface connector) connects to the power supply bracket within the NetMEDIA chassis as shown below in Figure 5.
4. Connect the DC power cable to the default location on the power supply bracket as shown below in Figure 5. Do not reinstall top panel at this point.

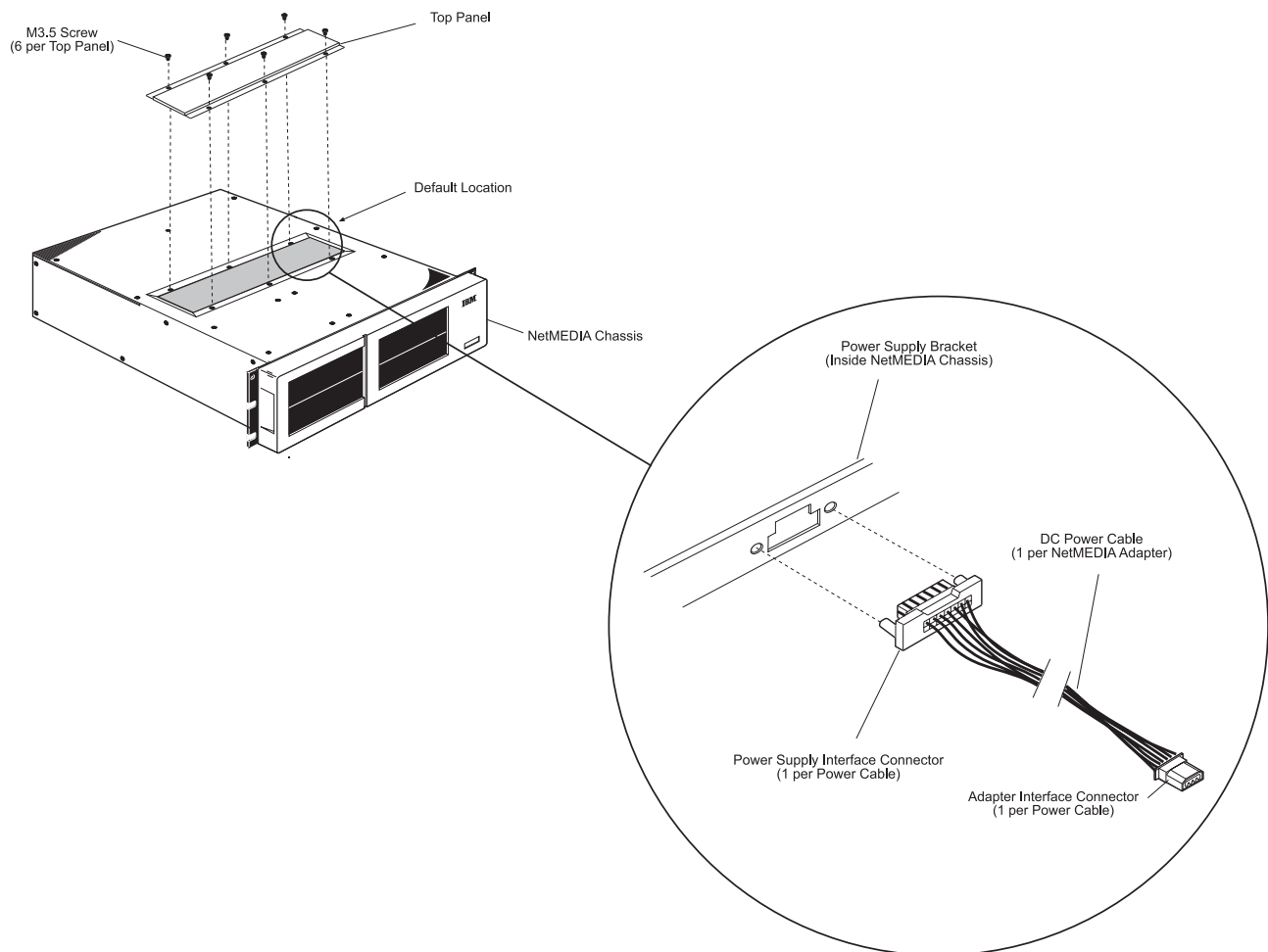


Figure 5: Connecting the DC Power Cable to the Power Supply Bracket

Installing the NetMEDIA Adapter

1. Remove ALL power from the NetMEDIA chassis before working on the unit.
2. Once the DC power cable is connected to the power supply bracket, the NetMEDIA Adapter can be installed.
3. Connect the DC power and internal SCSI I/O cables to the NetMEDIA Adapter through the rear of the chassis as shown below in Figure 6.

NOTE: To prevent twisting of the DC power cable, proper orientation of the NetMEDIA Adapter is important. The LEDs should be at the top when positioning the NetMEDIA Adapter for connection and installation as shown in Figure 7 on the next page.

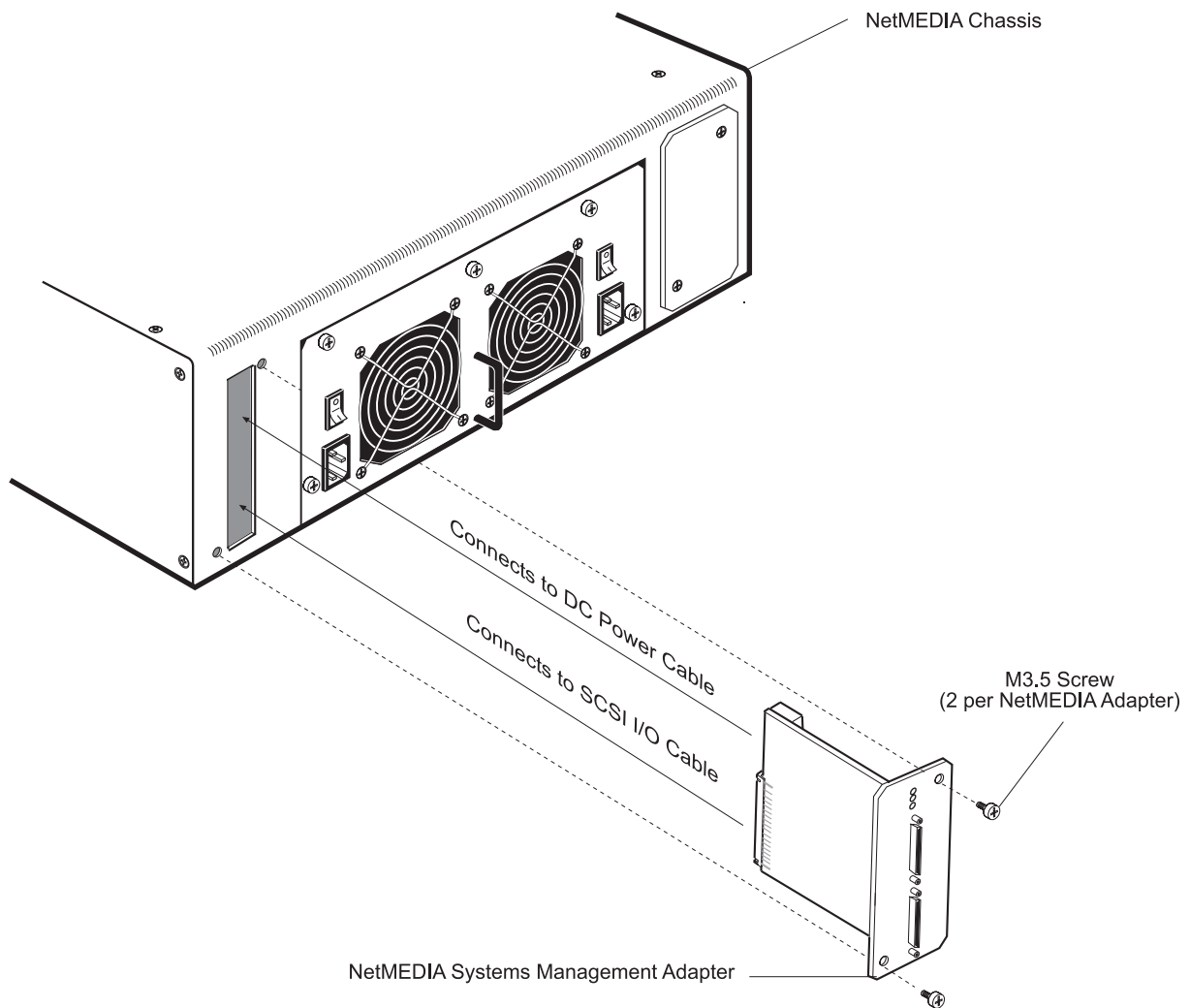
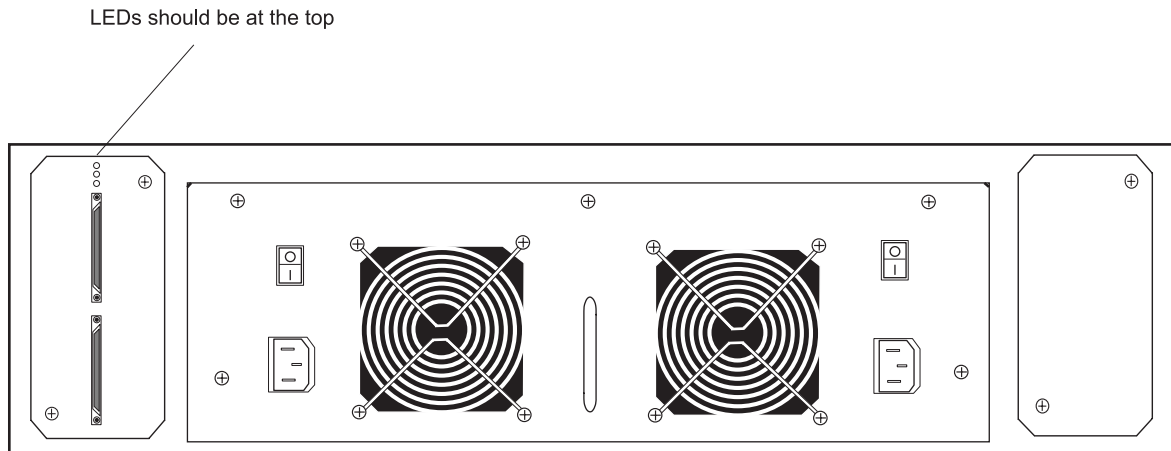


Figure 6: NetMEDIA Adapter Installation



NetMEDIA Chassis Rear Panel

Figure 7: Proper Orientation of the NetMEDIA Adapter

4. Once the DC power and internal SCSI I/O cables are connected, carefully insert the NetMEDIA Adapter into the open slot and secure using the two (2) M3.5 screws as shown in Figure 6 on the previous page.
5. Reinstall the top panel.

APPENDICES

Appendix A: Help and Service Information

If you have questions about your new Options by IBM product, or require technical assistance, visit the IBM Personal Computing Support Web site at <http://www.pc.ibm.com/support>. For information about IBM, IBM PC products, or Options by IBM, visit the IBM Personal Computing Website at <http://www.pc.ibm.com>. Additionally, you can receive information from the IBM Automated Fax system at 1-800-426-3395 (in Canada, 1-800-465-3299), or from the Personal Systems Group Bulletin Board System (PSG BBS) at 1-919-517-0001. You can also get help and information through the IBM PC HelpCenter, 24 hours a day, seven days a week. Response time may vary, depending on the number and nature of the calls received.

Marketing, installation, and configuration support through the HelpCenter will be withdrawn or made available for a fee, at IBM's discretion, 90 days after the option has been withdrawn from marketing. Additional support offerings, including step-by-step installation assistance, are available for a nominal fee.

During the warranty period, assistance for replacement or exchange of defective components is available. In addition, if your IBM option is installed in an IBM computer, you might be entitled to service at your location. Your technical support representative can help you determine the best alternative.

Step 1. Problem Solving

You may be able to solve the problem yourself. Before calling the HelpCenter, please prepare for the call by following these steps:

1. If you are having installation or configuration problems, refer to the detailed sections on installation found in this manual.
2. Visit the Personal Computing Support Web site specific to the model of option you have purchased. Updated installation instructions, hints and tips, or updated system-specific notes are often published in this section. You might find that later device drivers are available that will improve the performance and compatibility for your new option.

If you are installing this option in an IBM computer, also visit the applicable support Web page for that computer model. These pages might also contain useful hints and tips related to installation of this option and might refer to BIOS or device-driver updates required for your computer model. If you are installing the option in a non-IBM computer, refer to the manufacturer's Web site.

3. Uninstall and then reinstall the option. During the uninstallation process, be sure to remove any files that were installed during the previous installation. Many IBM options include uninstallation programs.
4. Check all cabling to be sure that it is correct as shown in this manual. When you connect a cable to a cable connector, pay close attention to the colored stripes along the edge of the cable, and ensure that they are matched with PIN 1 on both the computer connector and the option connector.
5. If your option contains jumpers or switches, be sure their positions and orientation match the instructions in this manual.

Step 2: Preparing for the Call

To assist the technical support representative, have available as much of the following information as possible:

1. Option name
2. Option number
3. Proof of purchase
4. Computer manufacturer, model, serial number (if IBM), and manual
5. Exact wording of the error message (if any)
6. Description of the problem
7. Hardware and software configuration information for your system

If possible, be at your computer. Your technical support representative might want to walk you through the problem during the call.

Step 3: Placing the Call to IBM

If you call 90 days or more after the date of withdrawal or after your warranty has expired, you might be charged a fee.

For the support telephone number and support hours by country, refer to the following table or to the enclosed technical support insert. If the number is not provided, contact your IBM reseller or IBM marketing representative.

Support 24 hours a day, 7 days a week

Canada	1-800-565-3344
U.S.A. / Puerto Rico	1-800-772-2227

Additional Technical Support Resources

On-line technical support is available during the life of your product. On-line assistance can be obtained through the Personal Computing Support Web site, the PSG Electronic Bulletin Board System, and the IBM Automated Fax System.

On-line Technical Support

IBM Personal Computing Support Web Site	http://www.pc.ibm.com/support
IBM PSG BBS	1-919-517-0001
IBM Automated Fax System	1-800-426-3395
	1-800-465-3299 (in Canada)

Appendix B: Warranties and Notices

The following warranty information applies to products purchased in the United States, Canada, and Puerto Rico. For warranty terms and conditions for products purchased in other countries, see the enclosed Warranty insert, or contact your IBM reseller or IBM marketing representative.

International Business Machines Corporation

Armonk, New York, 10504

Statement of Limited Warranty

The warranties provided by IBM in this Statement of Limited Warranty apply only to Machines you originally purchase for your use, and not for resale, from IBM or your reseller. The term "Machine" means an IBM machine, its features, conversions, upgrades, elements, or accessories, or any combination of them. Unless IBM specifies otherwise, the following warranties apply only in the country where you acquire the Machine. If you have any questions, contact IBM or your reseller.

Machine: IBM NetMEDIA Systems Management Adapter
Warranty Period: 1 year

*Contact your place of purchase for warranty service information.

Production Status

Each Machine is manufactured from new parts, or new and used parts. In some cases, the Machine may not be new and may have been previously installed. Regardless of the Machine's production status, IBM's warranty terms apply.

The IBM Warranty for Machines

IBM warrants that each Machine 1) is free from defects in materials and workmanship and 2) conforms to IBM's Official Published Specifications. The warranty period for a Machine is a specified, fixed period commencing on its Date of Installation. The date on your receipt is the Date of Installation, unless IBM or your reseller informs you otherwise.

During the warranty period IBM or your reseller, if authorized by IBM, will provide warranty service under the type of service designated for the Machine and will manage and install engineering changes that apply to the Machine.

For IBM or your reseller to provide warranty service for a feature, conversion, or upgrade, IBM or your reseller may require that the Machine on which it is installed be 1) for certain Machines, the designated, serial-numbered Machine and 2) at an engineering-change level compatible with the feature, conversion, or upgrade. Many of these transactions involve the removal of parts and their return to IBM. You represent that all removed parts are genuine and unaltered. A part that replaces a removed part will assume the warranty service status of the replaced part.

If a machine does not function as warranted during the warranty period, IBM or your reseller will repair it or replace it with one that is at least functionally equivalent without charge. The replacement may not be new, but will be in good working order. If IBM or your reseller is unable to repair or replace the Machine, you may return it to your place of purchase and your money will be refunded.

If you transfer a Machine to another user, warranty service is available to that user for the remainder of the warranty period. You should give your proof of purchase and this Statement to that user. However, for Machines which have a lifetime warranty, this warranty is not transferable.

Warranty Service

To obtain warranty service for the Machine, you should contact your reseller or call IBM. In the United States, call IBM at **1-800-772-2227**. In Canada, call IBM at **1-800-565-3344**. You may be required to present proof of purchase.

IBM or your reseller will provide certain types of repair and exchange service, either at your location or at IBM's or your reseller's service center, to restore a Machine to good working order. Types of service may vary from country to country. IBM or your reseller will inform you of the available types of service for a Machine based on its country of installation.

When a type of service involves the exchange of a Machine or part, the item IBM or your reseller replaces becomes its property and the replacement becomes yours. You represent that all removed items are genuine and unaltered. The replacement may not be new, but will be in good working order and at least functionally equivalent to the item replaced. The replacement assumes the warranty service status of the replaced item. Before IBM or your reseller exchanges a Machine or part, you agree to remove all features, parts, options, alterations, and attachments not under warranty service. You also agree to ensure that the Machine is free of any legal obligations or restrictions that prevent its exchange.

You agree to:

1. obtain authorization from the owner to have IBM or your reseller service a Machine that you do not own; and
2. where applicable, before service is provided
 - a. follow the problem determination, problem analysis, and service request procedures that IBM or your reseller provide,
 - b. secure all programs, data, and funds contained in a Machine, and
 - c. inform IBM or your reseller of changes in a Machine's location.

IBM is responsible for loss of, or damage to, your Machine while it is 1) in IBM's possession or 2) in transit in those cases where IBM is responsible for the transportation charges.

Extent of Warranty

IBM does not warrant uninterrupted or error-free operation of a Machine.

The warranties may be voided by misuse, accident, modification, unsuitable physical or operating environment, improper maintenance by you, removal or alteration of Machine or parts identification labels, or failure caused by a product for which IBM is not responsible.

THESE WARRANTIES REPLACE ALL OTHER WARRANTIES OR CONDITIONS, EXPRESS OR IMPLIED, INCLUDING, BUT NOT LIMITED TO, THE IMPLIED WARRANTIES OR CONDITIONS OF MERCHANTABILITY AND FITNESS FOR A PARTICULAR PURPOSE. THESE WARRANTIES GIVE YOU SPECIFIC LEGAL RIGHTS AND YOU MAY ALSO HAVE OTHER RIGHTS WHICH VARY FROM JURISDICTION TO JURISDICTION. SOME JURISDICTIONS DO NOT ALLOW THE EXCLUSION OR LIMITATION OF EXPRESS OR IMPLIED WARRANTIES, SO THE ABOVE EXCLUSION OR LIMITATION MAY

NOT APPLY TO YOU. IN THAT EVENT SUCH WARRANTIES ARE LIMITED IN DURATION TO THE WARRANTY PERIOD. NO WARRANTIES APPLY AFTER THAT PERIOD.

Limitation of Liability

Circumstances may arise where, because of a default on IBM's part or other liability you are entitled to recover damages from IBM. In each such instance, regardless of the basis on which you are entitled to claim damages from IBM (including fundamental breach, negligence, misrepresentation, or other contract or tort claim), IBM is liable only for:

1. damages for bodily injury (including death) and damage to real property and tangible personal property; and
2. the amount of any other actual direct damages or loss, up to the greater of U.S. \$100,000 or the charges (if recurring, 12 months' charges apply) for the Machine that is the subject of the claim.

UNDER NO CIRCUMSTANCES IS IBM LIABLE FOR ANY OF THE FOLLOWING: 1) THIRD-PARTY CLAIMS AGAINST YOU FOR LOSSES OR DAMAGES (OTHER THAN THOSE UNDER THE FIRST ITEM LISTED ABOVE); 2) LOSS OF, OR DAMAGE TO, YOUR RECORDS OR DATA; OR 3) SPECIAL, INCIDENTAL, OR INDIRECT DAMAGES OR FOR ANY ECONOMIC CONSEQUENTIAL DAMAGES (INCLUDING LOST PROFITS OR SAVINGS), EVEN IF IBM OR YOUR RESELLER IS INFORMED OF THEIR POSSIBILITY. SOME JURISDICTIONS DO NOT ALLOW THE EXCLUSION OR LIMITATION OF INCIDENTAL OR CONSEQUENTIAL DAMAGES, SO THE ABOVE EXCLUSION OR LIMITATION MAY NOT APPLY TO YOU.

References in this publication to IBM products, programs, or services do not imply that IBM intends to make these available in all countries in which IBM operates. Any reference to an IBM product, program, or service is not intended to state or imply that only that IBM product, program, or service may be used. Subject to IBM valid intellectual property or other legally protectable rights, any functionally equivalent product, program, or service may be used instead of the IBM product, program, or service. The evaluation and verification of operation in conjunction with other products, except those expressly designated by IBM, are the responsibility of the user.

IBM may have patents or pending patent applications covering subject matter in this document. The furnishing of this document does not give you any license to these patents. You can send license inquiries, in writing, to:

IBM Director of Licensing
IBM Corporation
North Castle Drive
Armonk, NY 10504-1785
U.S.A.

United Kingdom Homologation Compliance Statement

STATEMENT OF COMPLIANCE

The United Kingdom Telecommunications Act 1984. This equipment is approved under General Approval Number
NS/G/1234/J/100003

for indirect connections to the public telecommunications systems in the United Kingdom.

The following terms are trademarks of the IBM Corporation in the United States or other countries, or both:

NetMEDIA

NetMEDIA Systems Management Adapter

NetMEDIA Storage Expansion Chassis Unit EL

Appendix C: Electronic Emission Notices

Federal Communications Commission (FCC) Statement

Note: This equipment has been tested and found to comply with the limits for a Class A digital device, pursuant to Part 15 of the FCC Rules. These limits are designed to provide reasonable protection against harmful interference when the equipment is operated in a commercial environment. This equipment generates, uses, and can radiate radio frequency energy and, if not installed and used in accordance with the instruction manual, may cause harmful interference to radio communications. Operation of this equipment in a residential area is likely to cause harmful interference, in which case the user will be required to correct the interference at his own expense.

Properly shielded and grounded cables and connectors must be used in order to meet the FCC emissions limits. IBM is not responsible for any radio or television interference caused by using other than recommended cables and connectors or by unauthorized changes or modifications to this equipment. Unauthorized changes or modifications to this equipment may cause interference which could void the user's authority to operate this equipment.

This device complies with Part 15 of the FCC Rules. Operation is subject to the following two conditions: (1) this device may not cause harmful interference, and (2) this device must accept any interference received, including interference that may cause undesired operation.

Industry Canada Class A Emission Compliance Statement

This Class A digital apparatus complies with Canadian ICES-003.

Avis de conformité à la réglementation d'Industrie Canada

Cet appareil numérique de la classe B est conforme à la norme NMB-003 du Canada.

European Union (EU) Mark of Conformity Statement

This product is in conformity with the protection requirements of EU Council Directive 89/336/EEC on the approximation of the laws of the Member States relating to electromagnetic compatibility. IBM cannot accept responsibility for any failure to satisfy the protection requirements resulting from a non-recommended modification of the product, including fitting of non-IBM option cards.

Properly shielded and grounded cables and connectors must be used in order to reduce the potential for causing interference to radio and TV communications and to other electrical or electronic equipment. IBM cannot accept responsibility for any interference caused by using other than recommended cables and connectors.

Warning: This is a Class A product. In a domestic environment this product may cause radio interference in which case the user may be required to take adequate measures.

Zulassungsbescheinigung laut dem Deutschen Gesetz über die elektromagnetische Verträglichkeit von Geräten (EMVG) vom 30. August 1995 (bzw. der EMC EG Richtlinie 89/336).

Dieses Gerät ist berechtigt in Übereinstimmung mit dem Deutschen EMVG das EG-Konformitätszeichen-CE-zu führen.

Verantwortlich für die Konformitätserklärung nach Paragraph 5 des EMVG ist die IBM Deutschland Informationssysteme GmbH, 70548 Stuttgart.

Informationen in Hinsicht EMVG Paragraph 3 Abs. (2) 2:

Das Gerät erfüllt die Schutzanforderungen nach EN 50082-1 und EN 55022 Klasse A.
--

EN55022 Klasse A Geräte müssen mit folgendem Warnhinweis versehen werden:

“Warnung: dies ist eine Einrichtung der Klasse A. Diese Einrichtung kann im Wohnbereich Funkstörungen verursachen; in diesem Fall kann vom Betreiber verlangt werden, angemessene Maßnahmen durchzuführen und dafür aufzukommen.”

EN 50082-1 Hinweis:

“Wird dieses Gerät in einer industriellen Umgebung betrieben (wie in EN 50082-2 festgelegt), dann kann es dabei eventuell gestört werden. In solch einem Fall ist der Abstand bzw. die Abschirmung zu der industriellen Störquelle zu vergrößern.”

Anmerkung:

Um die Einhaltung des EMVG sicherzustellen sind die Geräte, wie in den IBM Handbüchern angegeben, zu installieren und zu betreiben.

Japanese Voluntary Control Council for Interference (VCCI) Statement

This is a Class A product based on the standard of the Voluntary Control Council for Interference by Information Technology Equipment (VCCI). If this equipment is used in a domestic environment, radio disturbances may arise. When such trouble occurs, the user may be required to take corrective actions.

この装置は、情報処理装置等電波障害自主規制協議会（VCCI）の基準に基づくクラスA情報技術装置です。この装置を家庭環境で使用すると電波妨害を引き起こすことがあります。この場合には使用者が適切な対策を講ずるよう要求されることがあります。

Korean Communications Statement

Please note that this device has been certified for business purposes with regard to electromagnetic interference. If you find this is not suitable for your use, you may exchange it for one of residential use.

CISPR22 Compliance Statement

This product has been tested and found to comply with the limits for Class A Information Technology Equipment according to CISPR22/European Standard EN 55022. The limits for Class A equipment were derived for commercial and industrial environments to provide reasonable protection against interference with licensed communication equipment.

Warning: This is a Class A product. In a domestic environment this product may cause radio interference in which case the user may be required to take adequate measures.

Appendix D: Specifications/Dimensions

Physical Specifications	
Length	4.89" (124.21mm)
Width	4.31" (109.47mm)
Actual Weight	0.30lb (136.4g)

Environmental Specifications		
	Operating	Storage
Ambient Temperature	-5° C to 50° C	-45° C to 75° C
Relative Humidity ⁽¹⁾	10% to 80%	10% to 90%
Altitude	-1000 to 50,000 ft	-1000 to 50,000 ft
	-304m to 15240m	-304m to 15240m
Shock ⁽²⁾	10g	60g

⁽¹⁾Non-condensing with maximum Gradient of 10% per hour

⁽²⁾11 msec Pulse Width 1/2 Sine Wave

Electrical Specifications	
Input	+5V 65mA
	+12V 400µA

(Specifications are for reference only)



Printed in the United States of America
on recycled paper containing 10%
recovered post-consumer fiber