



ThinkPad 570 UltraBase

User's Guide

OPTIONS
by 

First Edition (January 1999)

The following paragraph does not apply to the United Kingdom or any country where such provisions are inconsistent with local law:

INTERNATIONAL BUSINESS MACHINES CORPORATION PROVIDES THIS PUBLICATION "AS IS" WITHOUT ANY WARRANTY OF ANY KIND, EITHER EXPRESS OR IMPLIED, INCLUDING, BUT NOT LIMITED TO, THE LIMITED WARRANTIES OF MERCHANTABILITY OR FITNESS FOR A PARTICULAR PURPOSE. Some states do not allow disclaimers or express or implied warranties in certain transactions; therefore, this statement may not apply to you.

This publication could include technical inaccuracies or typographical errors. Changes are periodically made to the information herein; these changes will be incorporated in new editions of the publication. IBM may make improvements or changes in the products or the programs described in this publication at any time.

It is possible that this publication may contain reference to, or information about, IBM products (machines and programs), programming, or services that are not announced in your country. Such references or information must not be construed to mean that IBM intends to announce such IBM products, programming, or services in your country.

Requests for technical information about IBM products should be made to your IBM authorized dealer or your IBM marketing representative.

Copyright International Business Machines Corporation 1999. All rights reserved.

Note to U.S. Government Users — Documentation related to restricted rights — Use, duplication or disclosure is subject to restrictions set forth in GSA ADP Schedule Contract with IBM Corp.

Contents

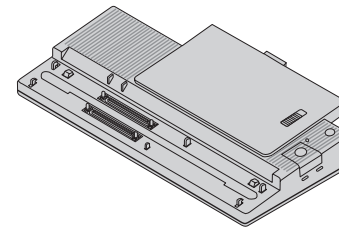
Part 1. Using the ThinkPad 570 UltraBase	1-1
Identifying the hardware features	1-2
Installing a device in the UltraBase	1-4
Identifying the hardware features	1-9
Installing a device in the UltraBase	1-11
Appendix A. Safety Information	15
Appendix B. Help and service information	25
Step 1. Problem solving	25
Step 2. Preparing for the call	26
Step 3. Placing the call to IBM	26
Appendix C. Product warranty	27
Appendix D. Notices	29

Part 1. Using the ThinkPad 570 UltraBase

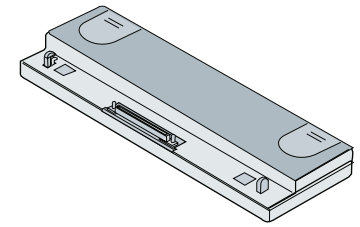
The *ThinkPad 570 UltraBase* (hereafter called the *UltraBase*) enhances your computer with two ports (a USB port and a MIDI port), and two bays (the diskette-drive/battery bay and the UltraslimBay). You can install the following devices in the bays:

Bay	Supported devices
Diskette-drive/battery bay	Secondary battery ThinkPad 570 external FDD
UltraslimBay	UltraslimBay DVD drive CD-ROM drive LS-120 drive Secondary hard disk drive
Notes: <ol style="list-style-type: none"> Some devices have a front cover that prevents installation into the UltraBase. Be sure to get devices that have a removable front cover. To insert a hard disk drive in the UltraslimBay, you need a hard-disk-drive adapter, supplied as an option. 	

You can use either of the following port replicators with your computer through the UltraBase:



Port Replicator with Advanced EtherJet Feature



ThinkPad 560 Port Replicator

This guide describes how to install devices into the UltraBase. For other details on the UltraBase, refer to the system's user's reference.

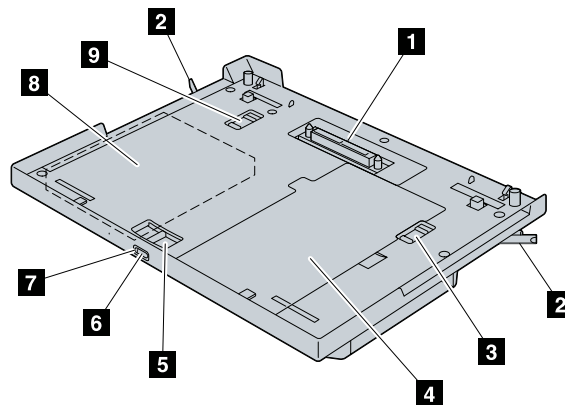
Note: Be sure to keep your proof of purchase, because it might be required for warranty services. (See Appendix B.)

CAUTION

Read the Safety information in the Appendix A before installing this product.

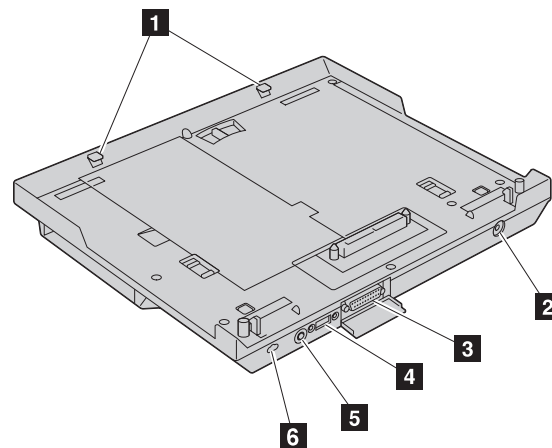
Identifying the hardware features

Front view



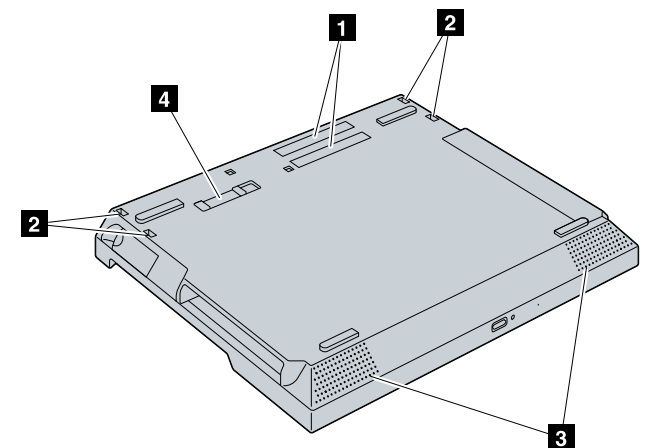
- 1 The **docking connector** is where you attach your ThinkPad computer to the UltraBase.
- 2 You release these **eject levers** when you remove the computer.
- 3 The **bay lock** prevents the device in the diskette-drive/battery bay from being removed.
- 4 The **diskette-drive/battery bay** is used for installing a secondary battery pack or a diskette drive.
- 5 The **bay eject lever** ejects the device in the bays.
- 6 With the **eject request button**, you can request to remove the device in the bays.
- 7 The **status indicator** indicates when you can safely remove a device in the bays.
- 8 The **UltralimBay** is used for installing various devices such as a CD-ROM drive, a DVD drive, an LS-120, and a secondary hard disk drive.
- 9 The **UltralimBay lock** prevents the device in the UltralimBay from being removed.

Rear view



- 1 These **guides** are for attaching your computer to the UltraBase.
- 2 The **power jack** is for connecting the AC Adapter cable.
- 3 The **MIDI/joystick port** connects a MIDI/joystick cable for using a joystick or MIDI equipment.
- 4 The **universal serial bus (USB) connector** enables you to connect any device that conforms to the USB interface. Many recent digital devices comply to this standard.
- 5 The **line-out jack** is where you connect an external stereo audio device.
- 6 The **security keyhole** is used for a security lock.

Bottom view



- 1 The **docking connectors** are where you attach your computer–UltraBase assembly to a port replicator.
- 2 These **holes** are for attaching your computer and UltraBase assembly to a port replicator.
- 3 The left and right **built-in speakers** generate stereo sound.
- 4 The **UltraBase lock** prevents the eject levers from being released.

Installing a device in the UltraBase

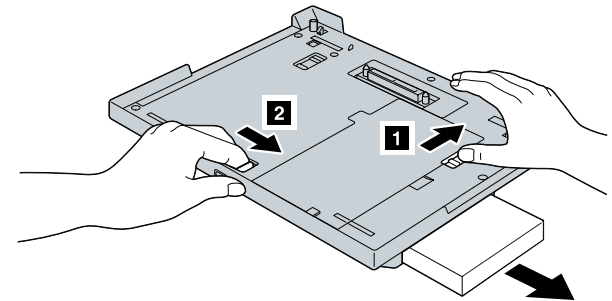
If you wish to install devices in the UltraBase, install them before you attach your computer.

Attention

After you attach your computer to the UltraBase, you cannot remove a device from the bays of the UltraBase. If you want to remove a device in the UltraBase, you must first detach your computer from the UltraBase. Your computer might be hot after detaching from the UltraBase. This is normal after long use. Always attach and close the bay cover.

Installing a device in the diskette-drive/battery bay

- 1 Release the bay lock to the unlocked position 1, and release the bay eject lever to the right 2.



- 2 Remove the blank bezel or any device that is already in the diskette-drive/battery bay.
- 3 If you are installing a secondary battery pack, see Installing a secondary battery pack.

If you are installing a diskette drive, see Installing a diskette drive.

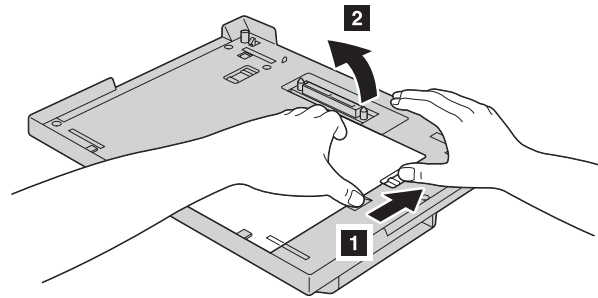
Installing a secondary battery pack

Charging the battery pack

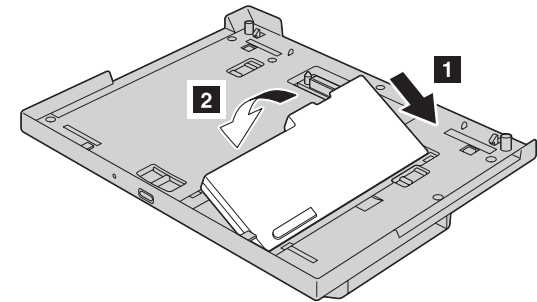
If you are using two batteries and connecting the AC Adapter to charge them, the battery pack in the computer is charged first. If you do not install the battery pack in the computer and want to charge the battery pack in the diskette-drive/battery bay, you must first attach your computer to the UltraBase.

You must attach the computer to charge the battery pack in the UltraBase.

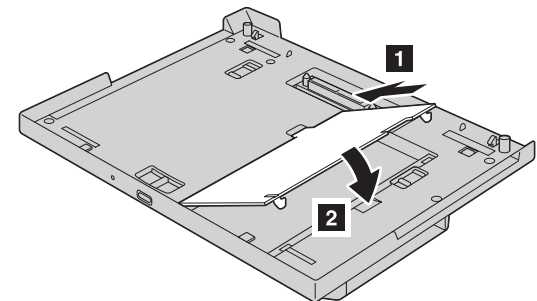
- 1 Release the bay lock to the unlocked position **1**, and remove the bay cover **2**.



- 2 To install the battery pack, align the right side of the battery pack to the right side of the diskette-drive/battery bay of the computer **1**; then put the battery pack in place **2**.

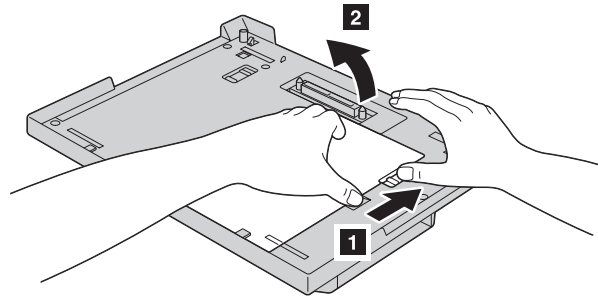


- 3 To replace the bay cover, align the left side of the cover to the left side of the diskette-drive/battery bay of the computer **1**; then put the cover in place **2**.

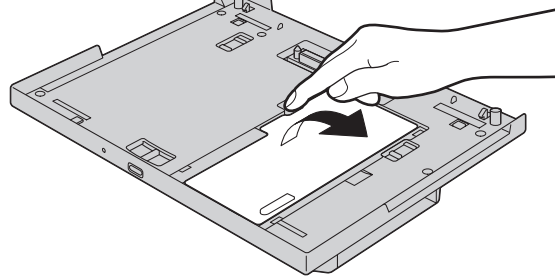


To remove the battery pack from the diskette-drive/battery bay, do as follows:

1. Release the bay lock to the unlocked position 1, and remove the bay cover 2.

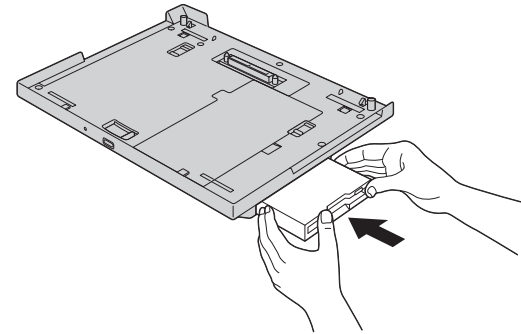


2. Remove the battery pack.



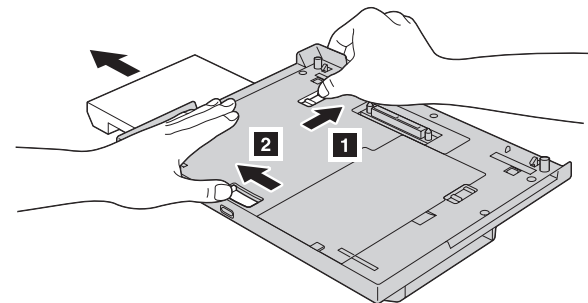
3. Replace the bay cover.

Installing a diskette drive: To install a diskette drive in the diskette-drive/battery bay, insert the drive until it is connected firmly.

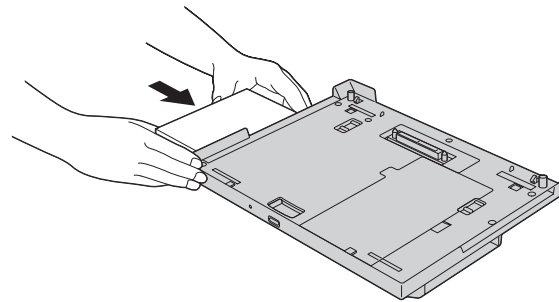


Installing a device in the UltraslimBay

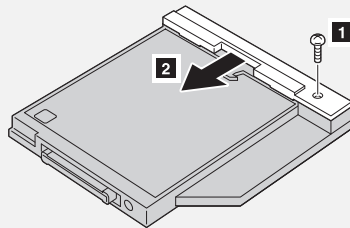
- 1 Release the bay lock to the unlocked position 1, and release the bay eject lever to the left 2.



- 2 Remove the blank bezel or any device that is already in the bay.
- 3 Insert the replacing device until it is connected firmly.



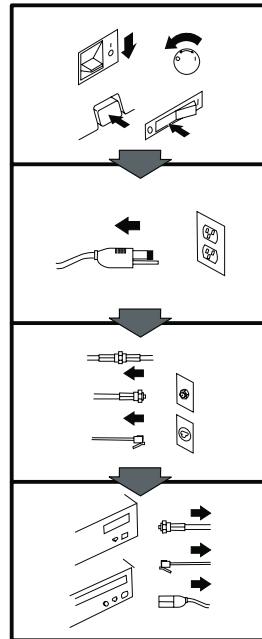
Note: To install a DVD drive, an LS-120 drive, or a secondary hard disk drive in the UltralimBay, you need to remove the bezel. The following illustration shows an example of a DVD drive. Remove the bezel in a similar way for the other devices.



To insert a hard disk drive in the UltralimBay, attach an UltralimBay HDD Adapter to the hard disk drive first; then insert the hard disk drive and adapter assembly into the UltralimBay.

Note: The UltralimBay HDD Adapter is supplied as an option. See the adapter's user's guide for how to attach the adapter to the hard disk drive.

Appendix A. Safety Information



To Disconnect:

⚠ Danger:

Electrical current from power, telephone, and communication cables is hazardous. To avoid shock hazard, disconnect cables as shown before opening the computer covers to install this product. The power cord must be used with a properly grounded outlet.

- Turn **everything off**.
- **First, remove the power cord from the outlet. (In the U.K., by law, the power cord must be disconnected after the telephone line cable.)**
- Remove signal cables from receptacles.
- Remove all cables from devices.

Vor dem Entfernen der Anschlüsse:

⚠ Vorsicht:

Befolgen Sie die folgenden Schritte, um gesundheitliche Schäden durch stromführende Telefon- und Verbindungskabel auszuschließen. Um eine Berührungsspannung zu vermeiden, Kabel vor dem Öffnen der Computerabdeckungen bei der Installation dieses Produktes, wie abgebildet, herausziehen. Das Netzkabel darf nur an eine ordnungsgemäß geerdete Steckdose angeschlossen werden.

- Schalten Sie alle Geräte AUS.
- Ziehen Sie zuerst das Netzkabel aus der Steckdose.
- Entfernen Sie die Signalkabel von den Anschlußbuchsen.
- Entfernen Sie alle Kabel von den Geräten.

Précautions de déconnexion

⚠ Danger:

Le courant électrique des câbles électriques, téléphoniques et de communication est dangereux. Pour éviter tout risque d'électrocution, déconnectez les câbles comme indiqué avant d'ouvrir les capots de l'ordinateur pour installer ce produit. Il convient d'utiliser le câble d'alimentation avec une prise correctement raccordée à la terre.

- Eteignez tous les appareils.
- Débranchez tout d'abord le câble d'alimentation de la prise de courant. (Au Royaume-Uni, la législation exige que le câble d'alimentation soit débranché après le câble téléphonique).
- Débranchez les câbles de signalisation des prises femelles.
- Débranchez l'ensemble des câbles des périphériques.

Para desconectarse

⚠ Peligro:

La corriente eléctrica procedente de cables de alimentación, teléfono y comunicaciones es peligrosa. Para evitar descargas eléctricas, desconecte los cables tal y como se muestra y abra las cubiertas del ordenador antes de instalar este producto. El cable de alimentación debe utilizarse con una toma debidamente conectada a tierra.

- Desconecte todo.
- En primer lugar, retire el cable de alimentación de la toma. (En el Reino Unido, la legislación determina que el cable de alimentación se desconecte después del cable de línea telefónica.)
- Retire los cables de señal de los receptáculos correspondientes.
- Retire todos los cables de los dispositivos.

取外し時：

⚠ 危険：

電源、電話及び通信ケーブルからの電流は危険なものです。電気ショックの危険を避けるために、この製品をインストールするためにはコンピューターのカバーを取外す前に、次の順序でケーブルを取外してください。

- すべての電源を切ってください。
- 始めにコンセントから電源コードを取外してください。
- コネクターから通信ケーブルを取外してください。
- 装置から全てのケーブルを取外してください。

Per scollegare:

⚠ Pericolo:

La corrente elettrica che attraversa i cavi di alimentazione, i cavi telefonici e i cavi per le comunicazioni è pericolosa. Per evitare il rischio di scosse elettriche, prima di procedere all'apertura del coperchio dell'elaboratore per installare il dispositivo, scollegare i cavi nel modo qui indicato. Il cavo di alimentazione deve essere inserito in una presa elettrica collegata correttamente a terra.

- Spegnerne tutto (posizione OFF).
- Innanzitutto, scollegare il cavo di alimentazione dalla presa. (nel Regno Unito, per disposizione di legge, è obbligatorio scollegare il cavo di alimentazione dopo aver scollegato il cavo telefonico).
- Scollegare i cavi di segnale dai connettori.
- Scollegare tutti i cavi dai dispositivi.

Para desligar

⚠ Perigo:

A corrente elétrica da unidade de alimentação, do telefone e dos cabos de comunicação é perigosa. Para evitar o risco de choques elétricos, desligue os cabos de acordo com as instruções relativas à instalação antes de abrir as tampas do computador para instalar este produto. O cabo de alimentação deve ser usado numa tomada devidamente ligada à terra.

- Desligue tudo
- Primeiro remova o cabo de alimentação da tomada. (De acordo com as leis do Reino Unido, o cabo de alimentação deve ser desligado depois do cabo da linha telefônica.)
- Remova os cabos de sinal dos receptáculos.
- Remova todos os cabos dos dispositivos.

Odpojení:

⚠ Výstraha:

Elektrický proud ze sit'ových, telefonních a komunikačních kabelů je nebezpečný. Abyste při instalaci tohoto výrobku předešli úrazu elektrickým proudem, před otevřením krytů počítače odpojte kabely dle obrázku. Sit'ový kabel musí být použit s řádně uzemněnou zásuvkou.

- Vypněte všechna připojená zařízení.
- Nejdříve odpojte sit'ový kabel ze zásuvky. (Ve Spojeném království musí být podle zákona sit'ový kabel odpojen až po odpojení telefonní přípojky).
- Odpojte signálové kabely.
- Odpojte všechny kabely periferních zařízení.

Læs følgende inden frakobling:

⚠ Fare:

Elektrisk strøm fra strømførende kabler og telefon- og kommunikationskabler er farlig. For at undgå elektrisk stød skal du sørge for at koble kablerne fra som vist, før du åbner computerens dæksler for at installere dette produkt. Den strømførende ledning skal tilsluttes en jvdet stikkontakt.

- SLUK for alt.
- Fjern først den strømførende ledning fra stikkantaten. (I Storbritannien skal den strømførende ledning frakobles efter telefonkablet iflg. lov).
- Fjern signalkabler fra kontakter.
- Fjern alle kabler fra enheder.

Ontkoppelen

Gevaarlijk:

Elektrische stroom afkomstig uit netsnoeren, telefoonkabels en communicatiekabels kan gevaarlijk zijn. Als u dit produkt wilt installeren, moet u, ter voorkoming van elektrische schokken, voordat u de computer openmaakt de kabels, zoals afgebeeld, ontkoppelen. Sluit het netsnoer altijd aan op een geaard stopcontact.

- Zet alles UIT.
- Haal eerst de stekker uit het stopcontact. (In het Verenigd Koninkrijk bent u wettelijk verplicht eerst de telefoonkabel en pas dan het netsnoer los te maken.)
- Haal de signaalkabels uit de ingangen.
- Verwijder alle kabels van de apparaten.

Pour déconnecter

Danger:

Le courant électrique des câbles électriques, téléphoniques et de communication est dangereux. Pour éviter tout risque d'électrocution lors de l'installation de ce produit, déconnectez les câbles tel que montré avant d'ouvrir les couvercles de l'ordinateur. Utilisez le câble d'alimentation avec une prise correctement raccordée à la terre.

- Éteignez tous les appareils.
- Débranchez d'abord le câble d'alimentation de la prise de courant. (Au Royaume-Uni, la réglementation exige que le câble d'alimentation soit débranché après le câble téléphonique.)
- Débranchez les câbles de transmission du signal des prises femelles.
- Débranchez tous les câbles des appareils.

Irrota laite seuraavasti:

Vaara:

Virta-, puhelin- ja tietoliikennejohdoissa liikkuva sähkövirta on vaarallista. Voit tätä laitetta asentaessasi välttää sähköiskut irrottamalla johtimet esitetyllä tavalla ennen tietokoneen kansion avaamista. Virtajohto on liitettävä oikein maadoitettuun pistorasiaan.

- Katkaise kaikista laitteista virta.
- Irrota virtajohto pistorasiasta. (Yhdistyneiden Kuningaskuntien lain mukaan virtajohto on irrottettava ennen puhelinjohdon irrottamista.)
- Irrota signaalkaapelit vastakkeista.
- Irrota kaikki johdot laitteista.

כדי לנתק:

סכנה:

זרם חשמלי מכבלי כח, טלפון ותקשורת מהווה סכנה. כדי למנוע התחשמלות, נתק את הכבלים לפי האיור לפני פתיחת מארז המחשב לשם התקנת מכשיר זה. את כבל החשמל יש לחבר לשקע מוארק כראוי.

- כבה את כל המפסקים.
- נתק תחילה את כבל החשמל מהשקע (בבריטניה החוק דורש לנתק את כבל החשמל אחרי כבל הטלפון).
- נתק את כבלי האותות משקעיהם.
- נתק את כל הכבלים מההתקנים השונים.

Szétcsatlakoztatás

Balesetveszély:

A hálózati, telefon és kommunikációs kábelben levő elektromos áram veszélyes. Az áramütés veszélyének elhárítása érdekében, a termék beszerelésekor, a számítógép burkolatának felnyitása előtt húzza ki a vezetékeket. A hálózati vezetéknek megfelelően földeltnek kell lennie.

- Kapcsoljon mindent KI.
- Először a hálózati vezetéket húzza ki az aljzatból. (Az Egyesült Királyságban előírás, hogy a hálózati vezetéket a telefonvezeték után kell szétcsatlakoztatni.)
- Húzza ki a jel-kábelt az aljzatából.
- Húzza ki az összes vezetéket a berendezésekből.

차단하려면 :

⚠ 위험 :

전원, 전화, 통신 케이블에서 나오는 전류는 유해하다. 쇼크 위험을 없애려면 본 제품 설치를 위해 컴퓨터 뚜껑을 열기 전에 케이블을 차단한다. 전원 코드는 제대로 접지된 콘센사와 사용돼야 한다.

- 모든 전원을 차단한다.
- 우선 콘센사에서 전원 코드를 뺀다. (영국에서는 법으로, 전화선을 뺀 다음 전원 코드를 차단해야 한다.)
- 수신기로 부터 신축 케이블을 뺀다.
- 컴퓨터 장치에서 모든 케이블을 뺀다.

Frakobling

⚠ Fare:

Elektrisk strøm fra strøm-, telefon- og kommunikationskabler er farlig. For å unngå fare for støt, må du koble fra kabler, som vist, før du åpner datamaskindeksler for å installere dette produktet. Strømledningen må kun brukes i jordede stikkontakter.

- Slå alt AV.
- Trekk først ut strømledningen fra stikkontakten. (I Storbritannia sier loven at strømledningen må kobles fra etter telefonledningen.)
- Trekk ut signalkablene fra kontaktene.
- Trekk ut alle kablene fra enhetene.

Aby rozłączyć:

⚠ Ostrzeżenie:

Prąd elektryczny obecny w kablach zasilania, telefonicznych lub komunikacyjnych jest niebezpieczny. Aby uniknąć niebezpieczeństwa porażenia, przed otwarciem pokrywy komputera w celu zainstalowania tego wyrobu, należy odłączyć kable, jak to zostało pokazane. Musi być użyty przewód zasilania elektrycznego z odpowiednim uziemieniem.

- Wyłącz wszystko (położenie OFF).
- W pierwszej kolejności odłącz przewód zasilania elektrycznego z gniazdka. (W Wielkiej Brytanii prawo nakazuje, by przewód zasilania został odłączony po kablu linii telefonicznej).
- Wyłącz kable sygnałowe z gniazdek.
- Wyłącz wszystkie kable z urządzeń.

Para desligar:

⚠ Perigo:

A corrente eléctrica da unidade de alimentação, do telefone e dos cabos de comunicação é perigosa. Para evitar o risco de choques eléctricos, desligue o cabo de acordo com as indicações antes de abrir a caixa do computador para instalar este produto. O cabo de alimentação deve ser utilizado numa tomada devidamente ligada à terra.

- Desligue tudo.
- Primeiro, retire o cabo de alimentação da tomada. (De acordo com as leis do Reino Unido, o cabo de alimentação deve ser desligado depois do cabo da linha telefónica.)
- Retire os cabos de sinal das tomadas.
- Retire todos os cabos dos dispositivos.

斷開步驟 :

⚠ 危險 :

動力電纜、電話電纜和通信電纜上的電流是危險的。為避免電擊危險，在打開電腦機蓋安裝本產品之前斷開電纜，如圖所示。動力電纜必須妥善接地。

- 關掉一切電源。
- 首先將動力電纜從輸出端取下。(根據英國法律規定，動力電纜必須在電話電纜之後斷開。)
- 從插座上取下信號電纜。
- 從裝置上取下所有電纜。

Izključenje:

⚠ Nevarnost:

Struja iz električnega, telefonskega ali komunikacijskega voda je nevarna. V namenu, da se izognete šoku, izključite vode, kot kaže slika, preden dvignete računalniške pokrove, da bi napravo instalirali. Strujni vod je treba uporabljati s primerno ozemljitvijo.

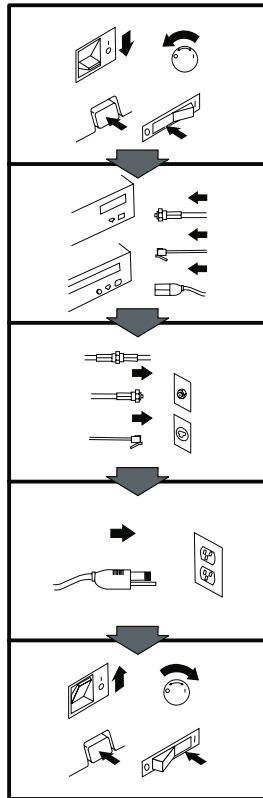
- Izključite vse (na "OFF").
- Najprej odstranite strujni vod iz izhodnega vtikaljšča. (V Veliki Britaniji je po zakonu treba strujni vod izključiti po telefonskem vodu).
- Odstranite signalne vode iz sprejemnikov.
- Odstranite vse vode iz naprav.

Urkoppling

⚠ Fara:

Ström från el-, tele- och kommunikationskablar måste behandlas med försiktighet. För att undvika att få en elektrisk stöt måste du innan du öppnar höljet på datorn koppla ur kablarna enligt beskrivningen nedan. Strömkabeln måste alltid användas i ett jordat uttag.

- Stäng av allting.
- Ta först ur strömkabeln från strömuttaget. (I Storbritannien måste enligt lag strömkabeln tas ur efter telefonkabeln.)
- Ta bort signalkablarna från uttagen.
- Ta bort alla kablarna från enheterna.



To Connect:

⚠ Danger:

Electrical current from power, telephone, and communication cables is hazardous. To avoid shock hazard, connect cables as shown after closing the computer covers. The power cord must be used with a properly grounded outlet.

- Turn everything **off**.
- Attach all cables to devices. (In the U.K., by law, the telephone cable must be connected after the power cord.)
- Attach signal cables to receptacles.
- Attach **the** power cord to **the** outlet.
- Turn **the** device **on**.

Vor dem Anschließen:

⚠ Vorsicht:

Befolgen Sie die folgenden Schritte, um gesundheitliche Schäden durch stromführende Telefon- und Verbindungskabel auszuschließen. Um eine Berührungsspannung zu vermeiden, Kabel nach dem Schließen der Computerabdeckungen, wie abgebildet, anschließen. Das Netzkabel darf nur an eine ordnungsgemäß geerdete Steckdose angeschlossen werden.

- Schalten Sie alle Geräte AUS.
- Schließen Sie alle Kabel an die Geräte an.
- Schließen Sie die Signalkabel an die dafür vorgesehenen Anschlußbuchsen an.
- Verbinden Sie das Netzkabel mit der Steckdose.
- Schalten Sie das Gerät EIN.

Avant de vous connecter

⚠ Danger:

Le courant électrique des câbles électriques, téléphoniques et de communication est dangereux. Pour éviter tout risque d'électrocution, connectez les câbles comme indiqué après avoir replacé les capots de l'ordinateur. Il convient d'utiliser le câble d'alimentation avec une prise correctement raccordée à la terre.

- Mettez tous les appareils hors tension.
- Raccordez l'ensemble des câbles aux périphériques. (Au Royaume-Uni, la législation exige que le câble téléphonique soit branché après le câble d'alimentation).
- Raccordez les câbles de signalisation aux prises femelles.
- Raccordez le câble d'alimentation à la prise de courant.
- Mettez les appareils sous tension.

Para conectarse

⚠ Peligro:

La corriente eléctrica procedente de cables de alimentación, teléfono y comunicaciones es peligrosa. Para evitar descargas eléctricas, conecte los cables tal y como se muestra después de cerrar las cubiertas del ordenador. El cable de alimentación debe utilizarse con una toma debidamente conectada a tierra.

- Desconecte todo.
- Conecte todos los cables a los dispositivos. (En el Reino Unido, la legislación determina que el cable de teléfono se conecte después del cable de alimentación.)
- Conecte los cables de señal de los receptáculos correspondientes.
- Conecte el cable de alimentación a una toma.
- Active el dispositivo.

接続時：

⚠ 危険：

電源、電話及び通信ケーブルからの電流は危険なものです。電気ショックの危険を避けるために、コンピューターのカバーを取り付け後に、次の順序でケーブルを接続してください。

- すべての電源を切ってください。
- すべてのケーブルを装置に接続してください。
- コネクタに通信ケーブルを接続してください。
- コンセントに電源コードを接続してください。
- 装置の電源を入れてください。

Per collegare:

⚠ Pericolo

La corrente elettrica che attraversa i cavi di alimentazione, i cavi telefonici e i cavi per le comunicazioni è pericolosa. Per evitare il rischio di scosse elettriche, collegare i cavi nel modo qui indicato solo dopo aver richiuso l'elaboratore con il coperchio. Il cavo di alimentazione deve essere inserito in una presa elettrica collegata correttamente a terra.

- Spegnere tutto (posizione OFF).
- Collegare tutti i cavi ai dispositivi. (nel Regno Unito, per disposizione di legge, è obbligatorio collegare il cavo telefonico dopo aver collegato il cavo di alimentazione).
- Collegare i cavi di segnale agli appositi connettori.
- Collegare il cavo di alimentazione a una presa elettrica
- Accendere la periferica (posizione ON)

Para ligar:

⚠ Perigo:

A corrente elétrica da unidade de alimentação, do telefone e dos cabos de comunicação é perigosa. Para evitar o risco de choques elétricos, ligue os cabos de acordo com as instruções relativas à instalação depois de fechar as tampas do computador. O cabo de alimentação deve ser usado numa tomada devidamente ligada à terra.

- Desligue tudo
- Ligue os cabos aos dispositivos. (De acordo com as leis do Reino Unido, o cabo de alimentação deve ser desligado depois do cabo da linha telefônica.)
- Ligue os cabos de sinal aos receptáculos.
- Ligue o cabo de alimentação à tomada.
- Ligue o dispositivo.

Připojení:

⚠ Výstraha:

Elektrický proud ze síťových, telefonních a komunikačních kabelů je nebezpečný. Abyste předešli úrazu elektrickým proudem, kabely dle obrázku připojte až po uzavření krytů počítače. Síťový kabel musí být použit s řádně uzemněnou zásuvkou.

- Vypněte všechna zařízení.
- Připojte všechny kabely periferních zařízení. (Ve Spojeném království musí být podle zákona telefonní přípojka připojena až po připojení síťového kabelu).
- Připojte signálové kabely.
- Připojte síťový kabel do zásuvky.
- Zapněte přístroj.

Læs følgende inden tilkobling:

⚠ Fare:

Elektrisk strøm fra strømførende kabler og telefon- og kommunikationskabler er farlig. For at undgå elektrisk stød skal du sørge for at koble kablerne til som vist, før du lukker computerens dæksler igen. Den strømførende ledning skal tilsluttes en javdet stikkontakt.

- SLUK for alt.
- Tilslut alle kabler til enheder. (I Storbritannien skal telefonkablet tilsluttes efter den strømførende ledning iflg. lovg.).
- Tilslut signalkabler til kontakter.
- Tilslut den strømførende ledning til stikkontakten.
- TÆND for enheden.

Aansluiten

Gevaarlijk:

Elektrische stroom afkomstig uit netsnoeren, telefoonkabels en communicatiekabels kan gevaarlijk zijn. Ter voorkoming van elektrische schokken, moet u nadat de computer dichtgemaakt is de kabels, zoals afgebeeld, aansluiten. Sluit het netsnoer altijd aan op een geaard stopcontact.

- Zet alles UIT.
- Bevestig de snoeren aan de apparaten. (In het Verenigd Koninkrijk bent u wettelijk verplicht eerst het netsnoer en pas dan de telefoonkabel aan te sluiten.)
- Bevestig de signaalkabels in de juiste ingangen.
- Steek de stekker van het netsnoer in het stopcontact.
- Zet het apparaat AAN.

Pour connecter

Danger:

Le courant électrique des câbles électriques, téléphoniques et de communication est dangereux. Pour éviter tout risque d'électrocution, connectez les câbles tel que montré après avoir fermé les couvercles de l'ordinateur. Utilisez le câble d'alimentation avec une prise correctement raccordée à la terre.

- Mettez tous les appareils hors tension.
- Raccordez tous les câbles aux appareils. (Au Royaume-Uni, la réglementation exige que le câble téléphonique soit branché après le câble d'alimentation.)
- Raccordez les câbles de transmission du signal aux prises femelles.
- Raccordez le câble d'alimentation à la prise de courant.
- Mettez l'appareil sous tension.

Kytke seuraavasti:

Vaara:

Virta-, puhelin- ja tietoliikennejohdoissa liikkuva sähkövirta on vaarallista. Voit välttää sähköiskut liittämällä johdot esitetyllä tavalla, sen jälkeen kun olet sulkenut tietokoneen kannet. Virtajohto on liitettävä oikein maadoitettuun pistorasiaan.

- Katkaise kaikista laitteista virta.
- Liitä kaikki johdot laitteisiin. (Yhdistyneiden Kuningaskuntien lain mukaan virtajohto on liitettävä ennen puhelinjohdon irrottamista.)
- Liitä signaalikaapelit vastakkeisiin.
- Liitä virtajohto pistorasiaan.
- Kytke laitteeseen virta.

כדי לחבר:

סכנה:

זרם חשמלי מכבלי כח, טלפון ותקשורת מהווה סכנה. כדי למנוע התחשמלות, חבר את הכבלים לפי האיור אחרי סגירת מארז המחשב. את כבל החשמל יש לחבר לשקע מוארק כראוי.

- כבה את כל המפסקים.
- חבר את כל הכבלים להתקנים (בבריטניה החוק דורש לחבר את כבל הטלפון אחרי כבל החשמל).
- חבר את כבלי האותות לשקעיהם.
- חבר את כבל החשמל לשקע.
- הדלק את המכשיר.

Csatlakoztatás:

Balesetveszély:

A hálózati, telefon és kommunikációs kábelben levő elektromos áram veszélyes. Az áramütés veszélyének elhárítása érdekében csak a számítógép burkolatának bezárása után csatlakeztassa a vezetékeket. A hálózati vezetéknek megfelelően földeltnek kell lennie.

- Kapcsoljon mindent KI.
- Csatlakoztassa a vezetékeket a berendezésekhez. (Az Egyesült Királyságban előírás, hogy a telefonvezetéket a hálózati vezeték után kell csatlakoztatni.)
- Csatlakoztassa a jel-kábelt az aljzatába.
- Csatlakoztassa a hálózati vezeték az aljzatába.
- Kapcsolja BE a készüléket.

연결하려면 :

⚠ 위험 :

전원, 전화, 통신 케이블에서 나오는 전류는 유해하다. 쇼크 위험을 없애려면 본 제품 설치를 위해 컴퓨터 뚜껑을 닫은 후에 케이블을 연결한다. 전원 코드는 제대로 접지된 콘덴사와 사용돼야 한다.

- 모든 전원을 차단한다.
- 장치에 모든 케이블을 연결한다. (영국에서는 법으로, 전화선을 먼저 연결한 다음 전원코드를 연결해야 한다.)
- 수신기에 신호 케이블을 연결한다.
- 콘덴사에 전원 코드를 연결한다.
- 컴퓨터 장치를 켜다.

Tilkobling

⚠ Fare:

Elektrisk strøm fra strøm -, telefon - og kommunikationskabler er farlig. For å unngå fare for støt, må du koble til kabler, som vist, etter at datamaskindekslene er lukket. Strømledningen må kun brukes i jordede stikkontakter.

- Slå alt AV.
- Koble alle kablene til enhetene. (I Storbritannia sier loven at telefonledningen må kobles til etter strømledningen.)
- Sett signalkablene i kontaktene.
- Sett strømledningen i stikkontakten.
- Slå apparatet PÅ.

Aby podłączyć:

⚠ Ostrzeżenie:

Prąd elektryczny obecny w kablach zasilania, telefonicznych lub komunikacyjnych jest niebezpieczny. Aby uniknąć porażenia, po zamknięciu pokryw komputera podłącz kable jak to zostało pokazane. Musi być użyty przewód zasilania elektrycznego z odpowiednim uziemieniem.

- Wyłącz wszystko (położenie OFF)
- Podłącz wszystkie kable do urządzeń (W Wielkiej Brytanii prawo nakazuje by kabel linii telefonicznej zostać podłączony po przewodzie zasilania).
- Podłącz kable sygnałowe do gniazdek.
- Podłącz przewód zasilania do gniazdeka.
- Włącz urządzenie. (Polożenie ON).

Para ligar:

⚠ Perigo:

A corrente eléctrica da unidade de alimentação, do telefone e dos cabos de comunicação é perigosa. Para evitar o risco de choques eléctricos, ligue os cabos de acordo com as indicações antes de fechar a caixa do computador. O cabo de alimentação deve ser utilizado numa tomada devidamente ligada à terra.

- Desligue tudo.
- Ligue os cabos aos dispositivos. (De acordo com as leis do Reino Unido, o cabo do telefone deve ser ligado depois do cabo de alimentação.)
- Ligue os cabos de sinal as tomadas.
- Ligue o cabo de alimentação à tomada.
- Ligue o dispositivo.

連接步驟 :

⚠ 危險 :

動力電纜、電話電纜和通信電纜上的電流是危險的。為避免電擊危險，在蓋上電腦機蓋之後連接電纜，如圖所示。動力電纜必須妥善接地。

- 關掉一切電源。
- 將所有電纜連接於裝置。(根據英國法律規定，電話電纜必須在動力電纜之前連接。)
- 將信號電纜連接於插座。
- 將動力電纜連接於輸出端。
- 打開裝置電源。

Vključenje:

⚠ Nevarnost:

Struja iz električnih, telefonskih in komunikacijskih vodov je nevarna. Da se izognete šoku, vključite vode, kot kaže slika, po tem, ko ste zaprli računalniške pokrove. Strujni vod je treba uporabljati s primerno ozemljitvijo.

- Izključite vse (na "OFF").
- Priključite vse vode na naprave. (V Veliki Britaniji je po zakonu treba telefonski vod vključiti po strujnem vodu).
- Priključite signalne vode sprejemnikom.
- Priključite električni vod izhodnemu vtikalšču.
- Vključite napravo (na "ON").

Anslutning

⚠ Fara:

Ström från el-, tele- och kommunikationskablar måste behandlas med försiktighet. För att undvika att få en elektrisk stöt måste du sedan du stängt höljet på datorn ansluta kablar enligt beskrivningen nedan. Strömkabeln måste alltid användas i ett jordat uttag.

- Stäng av allting.
- Anslut alla kablar till enheterna. (I Storbritannien måste enligt lag telefonkabeln anslutas efter strömkabeln.)
- Anslut signalkablar till uttagen.
- Anslut strömkabeln till strömuttaget.
- Slå på enheten.

Appendix B. Help and service information

Note

This appendix provides general service information, and some descriptions might not apply to your particular computer or suit your situation.

If you have questions about your new Options by IBM product, or require technical assistance, visit the IBM Personal Computing Support Web site at <http://www.pc.ibm.com/support>. For information about IBM, IBM PC products, or Options by IBM, visit the IBM Personal Computing Web site at <http://www.pc.ibm.com>. Additionally, you can receive information from the IBM Automated Fax System at 1-800-426-3395 (in Canada, 1-800-465-3299), or from the Personal Systems Group Bulletin Board System (PSG BBS) at 1-919-517-0001. You can also get help and information through the IBM PC HelpCenter, 24 hours a day, seven days a week. Response time might vary depending on the number and nature of the calls received.

Marketing, installation, and configuration support through the HelpCenter will be withdrawn or made available for a fee, at IBM's discretion, 90 days after the option has been withdrawn from marketing. Additional support offerings, including step-by-step installation assistance, are available for a nominal fee.

During the warranty period, assistance for replacement or exchange of defective components is available. In addition, if your IBM option is installed in an IBM computer, you might be entitled to service at your location. Your technical support representative can help you determine the best alternative.

Step 1. Problem solving

You might be able to solve the problem yourself. Before calling the HelpCenter, please prepare for the call by following these steps:

1. If you are having installation or configuration problems, refer to the detailed sections on installation found in this manual, and review any README.TXT files found on the installation diskettes.
2. Visit the Personal Computing Support Web site specific to the model of option you have purchased. Updated installation instructions, hints and tips, or updated system-specific notes are often published in this section. You might find that later device drivers are available that will improve the performance and compatibility for your new option.

If you are installing this option in an IBM computer, also visit the applicable support Web page for that computer model. These pages might also contain useful hints and tips related to installation of this option and might refer to BIOS or device-driver updates required for your computer model. If you are installing the option in a non-IBM computer, refer to the manufacturer's Web site.

3. Uninstall and then reinstall the option. During the uninstallation process, be sure to remove any files that were installed during the previous installation. Many IBM options include uninstallation programs.
4. Check all cabling to be sure that it is correct as shown in this manual. When you connect a cable to a cable connector, pay close attention to the colored stripes along the edge of the cable, and ensure that they are matched with PIN 1 on both the computer connector and the option connector.
5. If your option contains jumpers or switches, be sure their positions and orientation match the instructions in this manual.

Step 2. Preparing for the call

To assist the technical support representative, have available as much of the following information as possible:

1. Option name
2. Option number
3. Proof of purchase
4. Computer manufacturer, model, serial number (if IBM), and manual
5. Exact wording of the error message (if any)
6. Description of the problem
7. Hardware and software configuration information for your system

If possible, be at your computer. Your technical support representative might want to walk you through the problem during the call.

Step 3. Placing the call to IBM

If you call 90 days or more after the date of withdrawal or after your warranty has expired, you might be charged a fee.

For the support telephone number and support hours by country, refer to the following table or to the enclosed technical support insert. If the number is not provided, contact your IBM reseller or IBM marketing representative.

<i>Support 24 hours a day, 7 days a week</i>	
Canada	1-800-565-3344
U.S.A. or Puerto Rico	1-800-772-2227

Additional technical support resources

Online technical support is available during the life of your product. Online assistance can be obtained through the Personal Computing Support Web site, the PSG Electronic Bulletin Board System (BBS), and the IBM Automated Fax System.

<i>Online technical support</i>	
IBM Personal Computing Support Web site	http://www.pc.ibm.com/support
IBM PSG BBS	1-919-517-0001
IBM Automated Fax System	1-800-426-3395 1-800-465-3299 (in Canada)

Appendix C. Product warranty

The following warranty information applies to products purchased in the United States, Canada, and Puerto Rico. For warranty terms and conditions for products purchased in other countries, see the enclosed warranty insert, or contact your IBM reseller or IBM marketing representative.

International Business Machines Corporation

Armonk, New York 10504

Statement of limited warranty

The warranties provided by IBM in this Statement of Limited Warranty apply only to Machines you originally purchase for your use, and not for resale, from IBM or your reseller. The term "Machine" means an IBM machine, its features, conversions, upgrades, elements, or accessories, or any combination of them. Unless IBM specifies otherwise, the following warranties apply only in the country where you acquire the Machine. If you have any questions, contact IBM or your reseller.

Machine: ThinkPad 570 UltraBase

Warranty period*: One year

**Contact your place of purchase for warranty service information.*

Production status

Each Machine is manufactured from new parts, or new and used parts. In some cases, the Machine may not be new and may have been previously installed. Regardless of the Machine's production status, IBM's warranty terms apply.

The IBM warranty for machines

IBM warrants that each Machine 1) is free from defects in materials and workmanship and 2) conforms to IBM's Official Published Specifications. The warranty period for a Machine is a specified, fixed period commencing on its Date of Installation. The date on your receipt is the Date of Installation, unless IBM or your reseller informs you otherwise.

During the warranty period IBM or your reseller, if authorized by IBM, will provide warranty service under the type of service designated for the Machine and will manage and install engineering changes that apply to the Machine.

For IBM or your reseller to provide warranty service for a feature, conversion, or upgrade, IBM or your reseller may require that the Machine on which it is installed be 1) for certain Machines, the designated, serial-numbered Machine and 2) at an engineering-change level compatible with the feature, conversion, or upgrade. Many of these transactions involve the removal of parts and their return to IBM. You represent that all removed parts are genuine and unaltered. A part that replaces a removed part will assume the warranty service status of the replaced part.

If a Machine does not function as warranted during the warranty period, IBM or your reseller will repair it or replace it with one that is at least functionally equivalent, without charge. The replacement may not be new, but will be in good working order. If IBM or your reseller is unable to repair or replace the Machine, you may return it to your place of purchase and your money will be refunded.

If you transfer a Machine to another user, warranty service is available to that user for the remainder of the warranty period. You should give your proof of purchase and this Statement to that user. However, for Machines which have a lifetime warranty, this warranty is not transferable.

Warranty service

To obtain warranty service for the Machine, you should contact your reseller or call IBM. In the United States, call IBM at **1-800-772-2227**. In Canada, call IBM at **1-800-565-3344**. You may be required to present proof of purchase.

IBM or your reseller will provide certain types of repair and exchange service, either at your location or at IBM's or your reseller's service center, to restore a Machine to good working order.

When a type of service involves the exchange of a Machine or part, the item IBM or your reseller replaces becomes its property, and the replacement becomes yours. You represent that all removed items are genuine and unaltered. The replacement may not be new, but will be in good working order and at least functionally equivalent to the item replaced. The replacement assumes the warranty service status of the replaced item. Before IBM or your reseller exchanges a Machine or part, you agree to remove all features, parts, options, alterations, and attachments not under warranty service. You also agree to ensure that the Machine is free of any legal obligations or restrictions that prevent its exchange.

You agree to:

1. obtain authorization from the owner to have IBM or your reseller service a Machine that you do not own; and
2. where applicable, before service is provided —
 - a. follow the problem determination, problem analysis, and service request procedures that IBM or your reseller provide,
 - b. secure all programs, data, and funds contained in a Machine, and
 - c. inform IBM or your reseller of changes in a Machine's location.

IBM is responsible for loss of, or damage to, your Machine while it is 1) in IBM's possession or 2) in transit in those cases where IBM is responsible for the transportation charges.

Extent of warranty

IBM does not warrant uninterrupted or error-free operation of a Machine.

The warranties may be voided by misuse, accident, modification, unsuitable physical or operating environment, improper maintenance by you, removal or alteration of Machine or parts identification labels, or failure caused by a product for which IBM is not responsible.

THESE WARRANTIES REPLACE ALL OTHER WARRANTIES OR CONDITIONS, EXPRESS OR IMPLIED, INCLUDING, BUT NOT LIMITED TO, THE IMPLIED WARRANTIES OR CONDITIONS OF MERCHANTABILITY AND FITNESS FOR A PARTICULAR PURPOSE. THESE WARRANTIES GIVE YOU SPECIFIC LEGAL RIGHTS AND YOU MAY ALSO HAVE OTHER RIGHTS WHICH VARY FROM JURISDICTION TO JURISDICTION. SOME JURISDICTIONS DO NOT ALLOW THE EXCLUSION OR LIMITATION OF EXPRESS OR IMPLIED WARRANTIES, SO THE ABOVE EXCLUSION OR LIMITATION MAY NOT APPLY TO YOU. IN THAT EVENT SUCH WARRANTIES ARE LIMITED IN DURATION TO THE WARRANTY PERIOD. NO WARRANTIES APPLY AFTER THAT PERIOD.

Limitation of liability

Circumstances may arise where, because of a default on IBM's part or other liability, you are entitled to recover damages from IBM. In each such instance, regardless of the basis on which you are entitled to claim damages from IBM (including fundamental breach, negligence, misrepresentation, or other contract or tort claim), IBM is liable only for:

1. damages for bodily injury (including death) and damage to real property and tangible personal property; and
2. the amount of any other actual direct damages or loss, up to the greater of U.S. \$100,000 or the charges (if recurring, 12 months' charges apply) for the Machine that is the subject of the claim.

UNDER NO CIRCUMSTANCES IS IBM LIABLE FOR ANY OF THE FOLLOWING:

1. THIRD-PARTY CLAIMS AGAINST YOU FOR LOSSES OR DAMAGES (OTHER THAN THOSE UNDER THE FIRST ITEM LISTED ABOVE);
2. LOSS OF, OR DAMAGE TO, YOUR RECORDS OR DATA;
OR
3. SPECIAL, INCIDENTAL, OR INDIRECT DAMAGES OR FOR ANY ECONOMIC CONSEQUENTIAL DAMAGES (INCLUDING LOST PROFITS OR SAVINGS), EVEN IF IBM OR YOUR RESELLER IS INFORMED OF THEIR POSSIBILITY. SOME JURISDICTIONS DO NOT ALLOW THE EXCLUSION OR LIMITATION OF INCIDENTAL OR CONSEQUENTIAL DAMAGES, SO THE ABOVE EXCLUSION OR LIMITATION MAY NOT APPLY TO YOU.

Appendix D. Notices

References in this publication to IBM products, programs, or services do not imply that IBM intends to make these available in all countries in which IBM operates. Any reference to an IBM product, program, or service is not intended to state or imply that only that IBM product, program, or service may be used. Any functionally equivalent product, program, or service that does not infringe any of the intellectual property rights of IBM may be used instead of the IBM product, program, or service. The evaluation and verification of operation in conjunction with other products, except those expressly designated by IBM, are the responsibility of the user.

IBM may have patents or pending patent applications covering subject matter in this document. The furnishing of this document does not give you any license to these patents. You can send license inquiries, in writing, to the IBM Director of Licensing, IBM Corporation, North Castle Drive, Armonk NY 10504-1784, U.S.A.

Trademarks

The following terms are trademarks of the IBM Corporation in the United States or other countries or both:

IBM

ThinkPad

IBM

Part Number: 27L8390

Printed in the United States of America

27L839

