

1

2

3

4

5

6

A

A

B

B

C

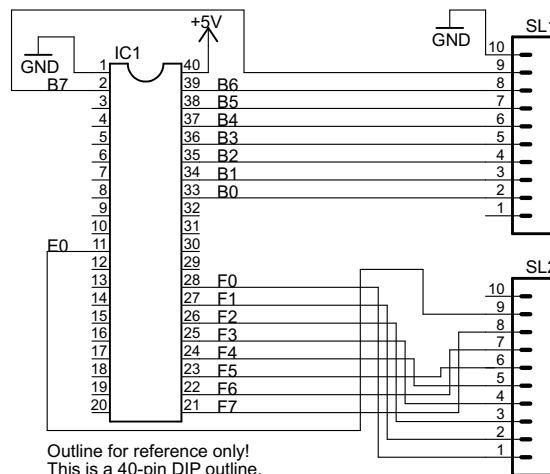
C

D

D

E

E



To upper connector (white leads) on keyboard  
This is pins 11 through 20.

To lower connector (black leads) on keyboard  
This is pins 1 through 10.

Outline for reference only!  
This is a 40-pin DIP outline,  
not a Teensy++ 2.0 component.

TITLE: M100_USB_kbd	
Document Number:	REV:
Date: 6/5/2012 11:19:12 AM	Sheet: 1/1