



PC Server 704

User's Handbook

Note

Before using this information and the product it supports, be sure to read the general information under Appendix B, "Notices" on page 303. Also read the general information under "Product Warranties and Notices" in the *User's Reference*.

Second Edition (September 1996)

The following paragraph does not apply to the United Kingdom or any country where such provisions are inconsistent with local law: INTERNATIONAL BUSINESS MACHINES CORPORATION PROVIDES THIS PUBLICATION "AS IS" WITHOUT WARRANTY OF ANY KIND, EITHER EXPRESS OR IMPLIED, INCLUDING, BUT NOT LIMITED TO, THE IMPLIED WARRANTIES OF MERCHANTABILITY OR FITNESS FOR A PARTICULAR PURPOSE. Some states do not allow disclaimer of express or implied warranties in certain transactions, therefore, this statement may not apply to you.

This publication could include technical inaccuracies or typographical errors. Changes are periodically made to the information herein; these changes will be incorporated in new editions of the publication. IBM may make improvements and/or changes in the product(s) and/or the program(s) described in this publication at any time.

It is possible that this publication may contain reference to, or information about, IBM products (machines and programs), programming, or services that are not announced in your country. Such references or information must not be construed to mean that IBM intends to announce such IBM products, programming, or services in your country.

Requests for technical information about IBM products should be made to your IBM reseller or IBM marketing representative.

© Copyright International Business Machines Corporation 1996. All rights reserved.

Note to U.S. Government Users — Documentation related to restricted rights — Use, duplication or disclosure is subject to restrictions set forth in GSA ADP Schedule Contract with IBM Corp.

Contents

Safety Information	v
Laser Compliance Statement	vi
Lithium Battery Notice	vii
About This Book	ix
How This Book is Organized	ix
Notices Used in This Book	xi
Related Publications	xii
Welcome and Thank You	xiii
Chapter 1. Introducing the PC Server 704	1
Features at a Glance	3
Getting Help on the World Wide Web	4
IBM PC Server Startup Support	4
About ServerGuide	5
Server Controls	6
Status Indicators	8
Expansion Slots and Input/Output Connectors	10
Padlock Loops and Power Supplies	12
Expansion Bays	14
Moving the Server	16
Before You Begin	17
Starting the Server	18
Using the CD-ROM Drive	21
Arranging Your Workspace	23
Comfort	23
Glare and Lighting	24
Air Circulation	24
Electrical Outlets and Cable Lengths	25
Chapter 2. Installing Your Software	27
Installing an Operating System	28
Using ServerGuide	28
Before You Begin	29
OS/2 SMP 2.11 Installation	31
OS/2 LAN Server 4.0 Installation	32
Windows NT Server 3.51 Installation	34
Software Considerations	35
Device Drivers	36

Hardware Device Drivers	36
Installation Checklist	37
Chapter 3. Configuring Your Server	39
Configuration Overview	40
Using the Setup Program	41
Changing Settings	41
Starting the Setup Program	42
Recording and Restoring Default Settings	43
Disabling the Diskette Drive	44
Using the System Configuration Utility Program	45
Backing Up the SCU Program Diskette	46
Starting the System Configuration Utility Program	47
Defining Security	52
Administrative Password	54
User Password	55
Setting the Drive-Startup Sequence	56
Secure Mode	57
Configuring EISA, ISA, and PCI Adapters	58
Configuring ISA or EISA Features and Options	59
Configuration Conflicts	61
Resolving Hardware Configuration Conflicts	62
Resolving Software Configuration Conflicts	63
Using the SCSISelect Utility Program	64
Starting the SCSISelect Utility Program	64
SCSISelect Utility Program Options	64
Configuring the 100/10 PCI Ethernet Adapter	67
Configuring for Windows NT Server 3.51	68
Configuring for Other Operating Systems	69
Duplexing	69
Fast Ethernet Cabling	70
Fast Ethernet Hubs	70
Configuring Other Network Adapters	71
Chapter 4. Installing Options	73
Before You Begin	74
Electrical Safety	75
Handling Static-Sensitive Devices	77
Preparing to Install Options	78
Removing the Side Covers	81

Removing the Top Cover	83
Installing a Microprocessor	86
Removing a Microprocessor	103
Installing Memory-Module Kits	113
Removing Memory-Module Kits	124
Installing Video Memory	131
Replacing the Real-Time Clock	137
Installing Adapters	143
Considerations	145
Installation Procedure	146
Removing Adapters	151
Installing Internal Drives	156
Internal Drive Bays	157
SCSI Drives	159
Preinstallation Steps (All Bays)	163
Installing a 5.25-inch Removable-Media Drive	165
Installing a Drive in a Hot-Swap Bay	173
Removing Internal Drives	180
Removing a 5.25-Inch Removable-Media Drive	181
Removing a Hot-Swap Drive	188
Adding Power Supplies	194
Removing Power Supplies	197
Security Procedures	200
Completing the Installation	201
Installing the Top Cover	201
Installing the Side Covers	203
Connecting External Options	207
Connecting External SCSI Devices	207
Chapter 5. Solving Problems	213
Getting Started	213
Overview of the Diagnostic Tools	213
Power-On Self-Test (POST)	215
POST Beep Codes	216
Test Programs	216
Error Messages	217
Troubleshooting Charts	218
Option Diskettes	218
About the Test Programs	219
The Main Menu of the Diagnostic Diskette	220

Program Navigation	221
IntruderAlert	225
Starting the Test Programs	225
Using the Module Tests	227
Changing Selected Tests in Test Groups	228
Creating Test Scripts	228
Test Options	229
POST Error Message Table	232
SCSI Messages	243
Beep Codes	244
Troubleshooting	245
Troubleshooting the 100/10 PCI Ethernet Adapter	253
Troubleshooting Other Network Adapters	256
Identifying Problems through Status Indicators	258
Checking the System for Damage	261
After Dropping It	261
After Spilling Liquid on It	262
Installing Additional Test Programs	263
Using the Utility Programs	265
Formatting Diskettes	265
Using the File Editor	265
Chapter 6. Getting Help, Service, and Information	269
Before You Call for Service	269
Using the HelpWare Support Family	269
Using Electronic Support Services	270
Getting Information by Fax	271
Getting Help by Telephone	271
Getting Help Around the World	272
Purchasing Additional HelpWare Services	273
Using the World Wide Web	273
Enhanced PC Support Line	273
900-Number Operating System and Hardware Support Line	274
Network and Server Support Line	274
Ordering Support Line Services	275
Warranty and Repair Services	275
Obtaining IBM Operating System Updates	276
Ordering Publications	277
Appendix A. Server Records	279

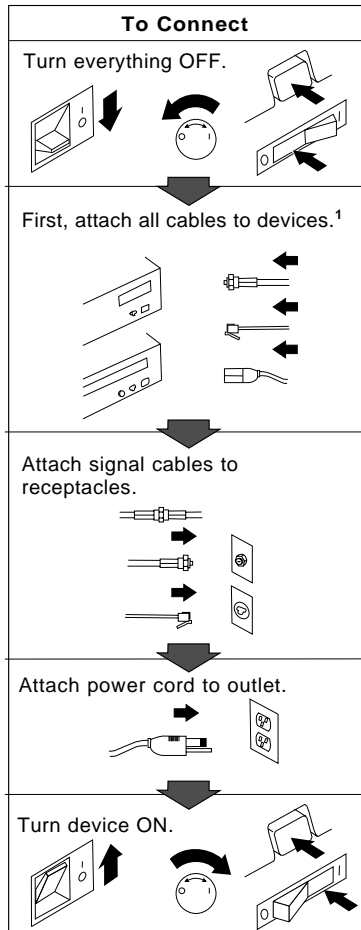
Record the Identification Numbers	279
Installed Device Records	280
The System Board	288
Changing Jumper and Switch Settings	289
Changing a Jumper Setting	290
Setting System-Board Configuration Jumpers	292
Setting System-Board Configuration Switches	299
Appendix B. Notices	303
Trademarks	303
Index	305

Safety Information

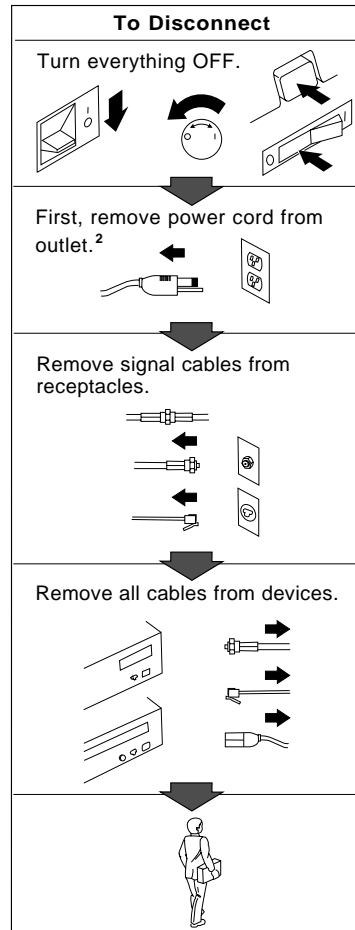


DANGER:

Electrical current from power, telephone, and communication cables is hazardous. To avoid shock hazard, connect and disconnect cables as shown below when installing, moving or opening the covers of this product or attached devices. The power cord must be used with a properly grounded outlet.



¹ In the U.K., by law, the telephone cable must be connected after the power cord.



² In the U.K., by law, the power cord must be disconnected after the telephone line cable.

Laser Compliance Statement

Some IBM PC Servers are equipped from the factory with a CD-ROM drive. CD-ROM drives are also sold separately as options. The CD-ROM drive is a laser product. The CD-ROM drive is certified in the U.S. to conform to the requirements of the Department of Health and Human Services 21 Code of Federal Regulations (DHHS 21 CFR) Subchapter J for Class 1 laser products. Elsewhere, the drive is certified to conform to the requirements of the International Electrotechnical Commission (IEC) 825 and CENELEC EN 60 825 for Class 1 laser products.

When a CD-ROM drive is installed, note the following.

CAUTION: Use of controls or adjustments or performance of procedures other than those specified herein might result in hazardous radiation exposure.

Opening the CD-ROM drive might result in exposure of hazardous laser radiation. There are no serviceable parts inside the CD-ROM drive.

- Some CD-ROM drives might contain an embedded Class 3A laser diode. Note the following.

DANGER

Laser radiation when open. Avoid direct eye exposure.

CAUTION: Laser radiation when open. Do not stare into beam or view directly with optical instruments.

- Some CD-ROM drives might contain an embedded class 3B laser diode. Note the following.

DANGER

Laser radiation when open. Avoid direct exposure to beam.

CAUTION: Laser radiation when open. Avoid exposure to beam.

Lithium Battery Notice

The real-time clock contains a lithium battery.

8



CAUTION:

Danger of explosion if battery is incorrectly replaced.

When replacing the battery, use only an equivalent type battery recommended by the manufacturer. The battery contains lithium and can explode if not properly used, handled, or disposed of.

Do not:

- Throw or immerse into water
- Heat to more than 100° C (212° F)
- Repair or disassemble

Dispose of the battery as required by local ordinances or regulations.

ATTENTION

Danger d'explosion en cas de remplacement incorrect de la batterie.

Remplacer uniquement par une batterie d'un type équivalent recommandé par le fabricant. La batterie contient du lithium et peut exploser en cas de mauvaise utilisation, de mauvaise manipulation ou de mise au rebut inappropriée.

Ne pas :

- Lancer ou plonger dans l'eau
- Chauffer à plus de 100° C (212° F)
- Réparer ou désassembler

Mettre au rebut les batteries usagées conformément aux règlements locaux.

About This Book

Note: Please call 1-800-IBM-4333 for information on battery disposal.

About This Book

This book provides the instructions for completing your installation; installing and removing server options; and configuring, modifying, and troubleshooting your server. This book also provides information to help you solve some of the simpler problems that might occur. If you have not yet set up your server, refer to the *Setup* sheet for instructions on cabling the server. Refer to the *User's Reference* for more detailed information about the server's features. If your server came with a RAID adapter installed, refer to the RAID adapter documentation for instructions for configuring your disk arrays.

How This Book is Organized

Chapter 1, "Introducing the PC Server 704," introduces and describes the PC Server 704. This chapter also includes an overview of the server's features and components. In addition, this chapter contains instructions for starting the server and using the CD-ROM drive.

Chapter 2, "Installing Your Software," describes the factors that you might want to consider before installing hardware and software in your server. This chapter also contains information about device drivers and installing operating systems. Also included are instructions for completing your installation.

Chapter 3, "Configuring Your Server," contains instructions for configuring your server. Also included are instructions for using various utility programs.

Chapter 4, "Installing Options," contains step-by-step instructions for installing and removing hardware options, such as memory-module kits, adapters, and internal drives. Instructions for connecting external options are also included in this chapter.

Chapter 5, "Solving Problems," contains information to help you solve simple problems that you might encounter with your server. This chapter includes an overview of diagnostic tools, instructions for testing the server, lists of error messages, and troubleshooting charts. This chapter also contains information about checking the server for damage, and resolving configuration conflicts.

Welcome and Thank You

Chapter 6, “Getting Help, Service, and Information,” contains information to help you solve more complex problems that you might encounter with your server. This chapter provides instructions on how to obtain service and technical assistance for your PC Server 704 and other IBM products that you might plan to use. This chapter also contains information about other publications, products, warranties, and services that IBM offers. Also included are fax numbers, toll-free telephone numbers, and access information for electronic bulletin boards, online services, and the World Wide Web.

Appendix A, “Server Records,” provides a section to record and update important information about your server, including the serial number, key number, and device records (which contain configuration information). Whenever you add options to your server, be sure to update the information in this appendix.

Appendix B, “Notices,” contains product notices and trademarks.

If you find a term that you are not familiar with, refer to the glossary located in the back of the *User's Reference*.

Notices Used in This Book

This book contains information notices that relate to a specific topic. The **Attention** and **Caution** notices also appear in a multilingual safety booklet. The notice definitions are as follows:

- **Notes**

These notices provide important tips, guidance, or advice.

- **Attention**

These notices indicate possible damage to programs, devices, or data. An attention notice appears just *before* the instruction or situation in which damage could occur.

- **Caution**

These notices indicate situations that potentially can be hazardous to you. A caution notice appears just *before* the instruction or situation that could be hazardous.

Welcome and Thank You

Related Publications

In addition to this handbook, the following publications are included with your server:

- The *Setup* sheet contains the instructions for cabling your server.
- The *User's Reference* contains detailed information about the advanced features of your server.
- The *SCSI Software User's Guide* describes the factors that you might want to consider before installing small computer system interface (SCSI) hardware and SCSI-related software in your server. This book also contains information about SCSI device drivers and describes the SCSI-2 utility programs that you can use to configure the SCSI devices that you attach to the SCSI-2 controller on the system board.
- The *PC Server Service and Support* pamphlet contains important information and phone numbers to call for different types of support for your PC Server.
- *PC Server 704 Safety Information* is a multilingual safety booklet.

The *IBM PC Server Hardware Maintenance Manual Supplement* is available for purchase. It contains error codes, advanced diagnostic procedures, and a parts catalog for most models. This manual is intended for trained service technicians. (Diagnostic Diskettes are not included.)

For a complete listing of publications available in the U.S. and Puerto Rico, call 1-800-426-7282. In Canada, call Customer Assistance at 1-800-465-1234. In all other countries, contact the IBM support organization that services your area, your IBM marketing representative, or your IBM reseller.

Welcome and Thank You

We appreciate your decision to purchase an IBM PC Server 704. Your server offers speed, power, expandability, and compatibility with various existing network operating systems and application programs.

The PC Server 704 also comes with IBM PC Server Startup Support, which provides coverage during the first 90 days after installation. IBM PC Server Startup Support is available to PC Server customers at no additional charge. This comprehensive program enhances IBM's support for setup, installation, configuration, and problem determination. It provides assistance for popular network operating systems and network adapters from IBM and other vendors. If you need assistance, call IBM at 1-800-772-2227 in the U.S., or call IBM at 1-800-565-3344 in Canada. In all other countries, contact the IBM support organization that services your area, your IBM marketing representative, or your IBM reseller.

Welcome and Thank You

Chapter 1. Introducing the PC Server 704

Your IBM PC Server 704 offers multiple (up to four) Intel Pentium Pro microprocessor capability, so that you can take advantage of symmetric multiprocessing (SMP) technology. You can maximize the benefits of this technology, provided that you have an SMP-capable operating system, such as one of the following, installed in your server:

- OS/2 for SMP
- OS/2 LAN Server 4.0 Advanced
- Microsoft Windows NT Server 3.51

Note: For the latest information about SMP operating systems supported by your PC Server 704:

- In the U.S., call 1-800-772-2227.
- In Canada, call 1-800-565-3344.
- In all other countries, contact the IBM support organization that services your area, your IBM marketing representative, or your IBM reseller.

Your server also has a built-in peripheral component interconnect (PCI) advanced bus. This bus and the Pentium Pro microprocessors combine to create a high-performance local area network (LAN) server platform to handle heavy file-server applications or moderate database applications. All models have two embedded SCSI-2 controllers and offer super video graphics array (SVGA) graphics.

As an open-architecture, industry-standard system, the PC Server 704 has been tested for compatibility with numerous IBM and non-IBM adapters and devices. Rugged dependability is achieved by incorporating various quality standards and design points.

Your PC Server 704 comes with a full three-year, on-site limited warranty, plus IBM PC Server Startup Support. Some PC Server 704 models also come with IBM ServerGuide.

Refer to the *Setup* sheet for instructions for setting up and cabling your server.

This chapter contains an overview of the server features and components. In addition, this chapter describes how to start the server and use the CD-ROM drive.

See Chapter 2, “Installing Your Software” on page 27 for details about installing an operating system and other software. (Refer to the *SCSI Software User's Guide* for information about SCSI device drivers and the SCSI-2 utility programs that you can use to configure the SCSI devices that you install.)

This *User's Handbook* also describes how to configure and use the server, and how to install and remove options. The troubleshooting information will help you solve some of the simpler problems that might occur. Appendix A, “Server Records” on page 279 provides a section for you to record all the important information about your server.

Refer to the *User's Reference* for more detailed information about the server features. That book also includes a glossary, warranty information, and other important notices.

This chapter contains:

Features at a Glance	3
Getting Help on the World Wide Web	4
IBM PC Server Startup Support	4
About ServerGuide	5
Server Controls	6
Status Indicators	8
Expansion Slots and Input/Output Connectors	10
Padlock Loops and Power Supplies	12
Expansion Bays	14
Moving the Server	16
Before You Begin	17
Starting the Server	18
Using the CD-ROM Drive	21
Arranging Your Workspace	23
Comfort	23
Glare and Lighting	24
Air Circulation	24
Electrical Outlets and Cable Lengths	25

Features at a Glance

The features in your server vary according to the model that you purchased. The following is a summary of the features that are available with the PC Server 704.

<p>Microprocessors</p> <ul style="list-style-type: none"> • Intel Pentium Pro with: <ul style="list-style-type: none"> – Level-1 cache, 16 KB – Level-2 cache, 512 KB • Expandable to four Pentium Pro microprocessors <p>Memory</p> <ul style="list-style-type: none"> • Expandable to 2 GB • Industry standard, 60 ns, parity • Sixteen memory sockets • Two-way and four-way interleaved • Error correcting code support <p>Diskette Drive</p> <ul style="list-style-type: none"> • Standard: One 3.5-inch, 1.44 MB <p>CD-ROM Drive:</p> <ul style="list-style-type: none"> • Standard: SCSI-2 CD-ROM <p>Keyboard</p> <ul style="list-style-type: none"> • Standard: 101-key or 102-key <p>Mouse</p> <ul style="list-style-type: none"> • Standard: IBM Mouse <p>Upgradable POST and BIOS</p> <ul style="list-style-type: none"> • Flash ROMs on the system board <p>Information Panel</p> <ul style="list-style-type: none"> • Two 16-character lines • LCD display of status information 	<p>Expansion Slots and Bays</p> <ul style="list-style-type: none"> • Ten expansion slots: <ul style="list-style-type: none"> – Six 32-bit PCI slots – Four 32-bit EISA/ISA slots • Seventeen expansion bays: <ul style="list-style-type: none"> – Twelve hot-swap hard disk drive bays – Four removable-media drive bays – One dedicated, 3.5-inch diskette drive bay <p>Video</p> <ul style="list-style-type: none"> • SVGA controller • Video memory, 512 KB, expandable to 1 MB • Compatibility: <ul style="list-style-type: none"> – Color graphics adapter (CGA) – Enhanced graphics adapter (EGA) – Video graphics array (VGA) – Hercules graphics <p>Hard Disk Drives</p> <ul style="list-style-type: none"> • Number of drives and drive capacities are model dependent • Can support up to 12 hot-swap hard disk drives <p>Security Features</p> <ul style="list-style-type: none"> • Door lock • Padlock loops 	<p>Integrated Functions</p> <ul style="list-style-type: none"> • LED usability support • SVGA video connector • Two serial connectors • Parallel connector • Mouse connector • Keyboard connector • Battery-backed clock and time/date calendar • Two Fast/Wide SCSI-2 connectors <p>Power Supplies</p> <ul style="list-style-type: none"> • Two 420-watt supplies standard with: <ul style="list-style-type: none"> – Automatic range voltage selection (115–230 V ac) – Built-in overload and surge protection • For redundant power, an optional 420-watt supply with: <ul style="list-style-type: none"> – Automatic range voltage selection – Built-in overload and surge protection <p>SCSI-2 Controller</p> <ul style="list-style-type: none"> • Two built-in bus-master SCSI-2 Fast/Wide controllers (all models) • PCI RAID adapter (disk-array models only) <p>Network Interface</p> <ul style="list-style-type: none"> • A network adapter comes preinstalled on some models
--	---	--

Getting Help on the World Wide Web

You can access the latest information about product compatibility and configuration on the World Wide Web. This information is updated as new PC Server products are announced. The following is a sample of the information available at

<http://www.pc.ibm.com/servers/> on the World Wide Web.

- Current updates to device drivers, flash BIOS, and other code.
- A listing of products that have been tested for compatibility with IBM PC Servers.
- Certification and compatibility information about Network operating systems (NOS) and operating systems (OS).

For additional information, service, or assistance, see Chapter 6, “Getting Help, Service, and Information” on page 269.

IBM PC Server Startup Support

The IBM PC Server Startup Support program provides comprehensive telephone assistance 24 hours a day, 7 days a week, during the first 90 days after installation of your server at no additional charge.* IBM gives you direct access to trained specialists who can help you set up, install, and configure your server.

Help is available for IBM and non-IBM network operating systems, network interface adapters, and other optional peripherals. To receive a list of the network products supported by the IBM PC Server Startup Support program, call the IBM PC Company Automated Fax System at 1-800-426-3395 in the U.S., or call 1-800-465-3299 in Canada, and ask for document number 16125. For more information about this program, or for help with the installation of your server:

- In the U.S., call IBM at 1-800-772-2227.
- In Canada, call IBM at 1-800-565-3344.

* Response time may vary depending on the number and nature of calls received.

About ServerGuide

- In all other countries, contact the IBM support organization that services your area, your IBM marketing representative, or your IBM reseller.

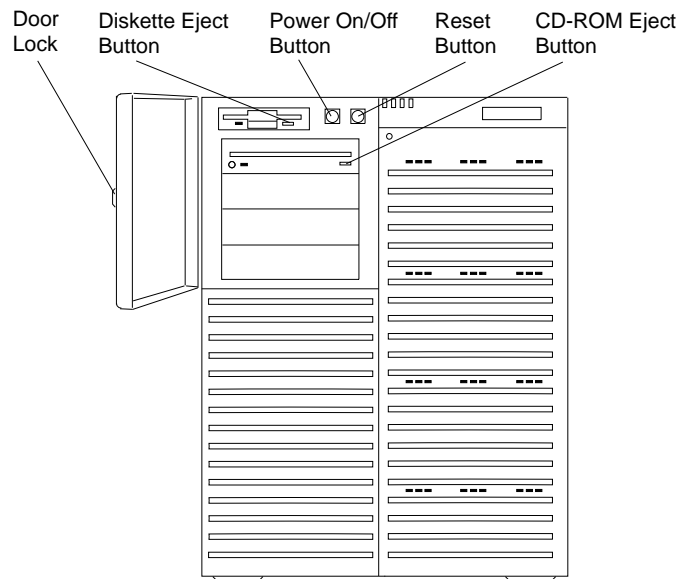
Note: For additional information, service, or assistance, see Chapter 6, “Getting Help, Service, and Information” on page 269.

About ServerGuide

Some PC Server 704 models come with the IBM ServerGuide package, which contains CDs that you can use to install your operating system. Depending upon the ServerGuide version that came with your server, your operating system might be installed automatically, or ServerGuide might provide an assisted operating-system installation. See “Using ServerGuide” on page 28 for further details about ServerGuide.

Server Controls

The most commonly used controls on the front of the server appear in the following illustration.



Door Lock: You can lock the door on your server to deter tampering with the internal components.

Power On/Off Button: Press this convex button to manually turn the server on or off.

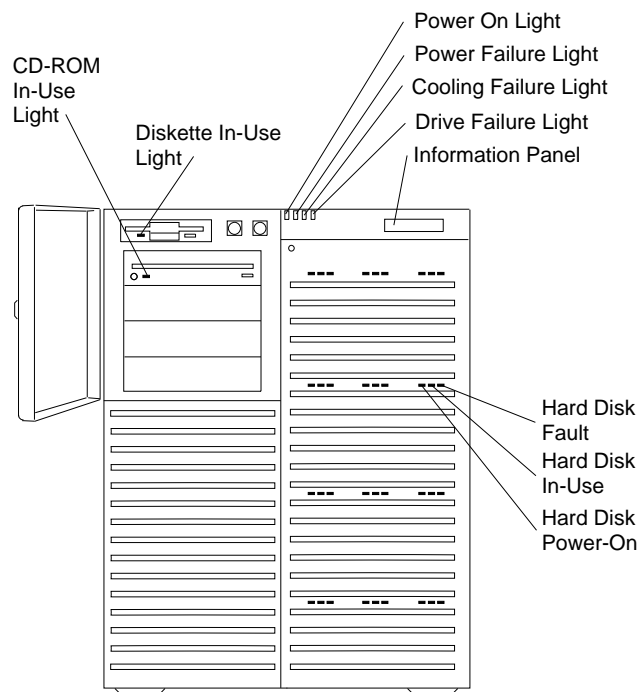
Reset Button: Press this concave button to reset the system and run the power-on self-test (POST).

Diskette-Eject Button: Press this button to remove a diskette from the drive.

CD-ROM Eject Button: Press this button to eject the CD-ROM tray from its drive so that you can insert or remove a CD.

Status Indicators

The most commonly used status indicators on the front of the server appear in the following illustration.



CD-ROM Drive In-Use Light: This light indicates CD-ROM drive activity. When this light is green, power is being applied to the drive. When this light is amber, the drive is being accessed (read from or written to).

Diskette Drive In-Use Light: This green light indicates diskette-drive activity.

Power-On Light: This green light indicates that the power-on button is in the on position.

Power-Failure Light: This amber light indicates there is no alternating current (AC) present.

Cooling-Failure Light: This amber light indicates a fan failure.

Drive-Failure Light: This amber light indicates a drive failure.

Information Panel: System monitoring information will appear on this liquid crystal display (LCD) if you install a system-management program and enable the information panel using the System Configuration Utility (SCU) program.

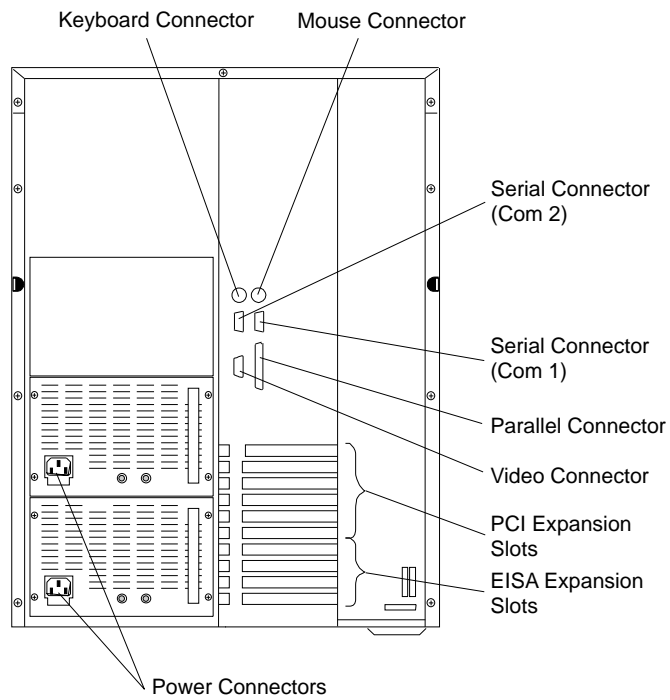
Hard Disk Status Lights: Each of the 12 hot-swap drive bays has a set of three status lights. These status lights indicate the following:

- **Hard Disk Fault Light:** When lit continuously, this amber light indicates a faulty hard disk drive.
- **Hard Disk In-Use Light:** When flashing, this green light indicates that the server is writing to or reading from the hard disk. However, on disk-array models, this light is operating-system dependent.
- **Hard Disk Power-On Light:** When lit continuously, this green light indicates that a drive is installed and power is present.

Expansion Slots and Input/Output Connectors

Expansion Slots and Input/Output Connectors

The following illustration shows the expansion slots and the input/output connectors (ports) on the rear of the server.



Expansion Slots and Input/Output Connectors

Keyboard Connector: The cable from your keyboard connects here.

Mouse Connector: This is where the mouse cable connects to the server. This port sometimes is called an auxiliary-device or pointing-device port.

Serial Connectors: Your server has two, 9-pin serial connectors (COM1 and COM2). The serial signal cable for a modem or other serial device usually connects here. If you are using a 25-pin signal cable, you need a 9-pin-to-25-pin adapter cable.

Video Connector: The monitor signal cable attaches to this 15-pin connector.

Parallel Connector: This is where the signal cable for a parallel printer or other parallel device connects to your server.

Expansion Slots: The PC Server 704 has four extended industry standard architecture (EISA) expansion slots and six peripheral component interconnect (PCI) expansion slots. You can install PCI or EISA adapters to provide communication, specialized graphics, and sound. Many adapters provide bus-master capabilities, which enable the adapters to perform operations without interrupting the system microprocessors.

The four EISA expansion slots are available for future expansion. Some models might come with a network adapter installed in one of the PCI expansion slots. Disk-array models also come with a PCI RAID adapter installed as a standard feature. The remaining four or five PCI expansion slots are available for future expansion.

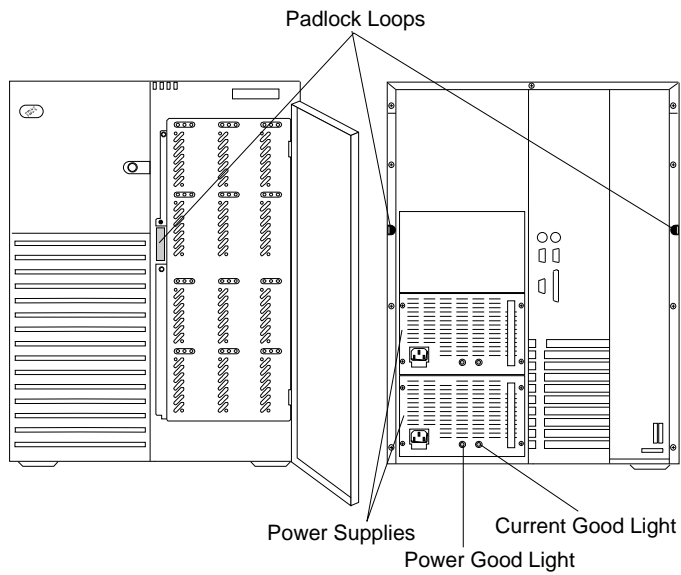
Power Connectors: The system power cords connect here.

Note: To see these and other connector locations on the system board, refer to the system-board layout in “The System Board” on page 288.

Padlock Loops and Power Supplies

The following illustration shows the power supply bays and padlock loops on your PC Server 704.

Note: See “Adding Power Supplies” on page 194 for instructions for installing a power supply.



Padlock Loops: The two side cover padlock loops enable you to insert padlocks (not provided) to secure the side covers to the system unit.

The electro-magnetic interference (EMI) door on the front of the server also has a padlock loop. You can insert a small padlock (not included) through this loop to secure the EMI door to the system unit and help prevent unauthorized access to the hard disk drives in the hot-swap bays.

Power Supplies: All PC Server 704 models support three 420-watt power supplies. In a three-supply system, the third power supply provides redundant power.

9



CAUTION:

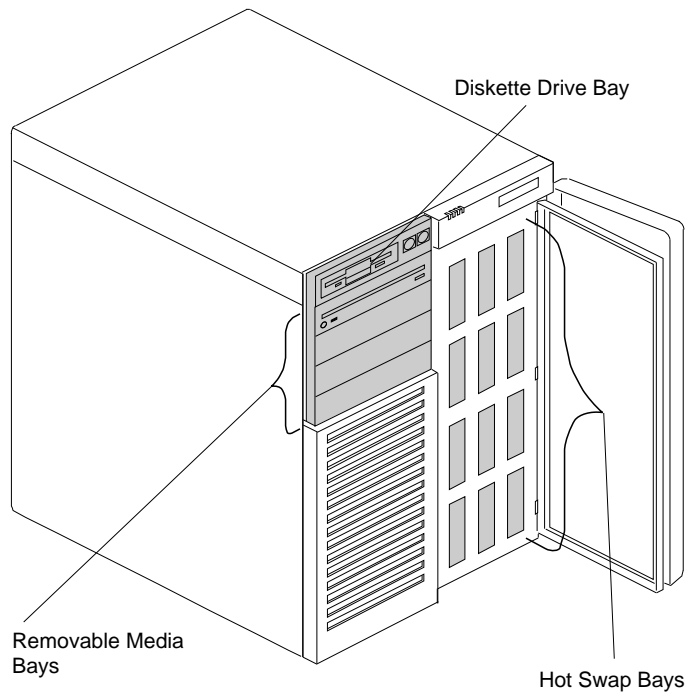
Power supplies are easy to install and remove, but they are not hot-swappable. Always disconnect all server power cords and all power supply power cords before you remove or install a power supply.

Power-Good Light and Current-Good Light: These green lights provide status information about the power supply, as follows:

Power-Good Light (PS)	Current-Good Light (I)	Description
On	On	Power supply on and OK
Off	Off or On	Power supply failure
On	Off	Current limit
<i>Note:</i> To ensure that the power supply is operational, both lights must be on.		

Expansion Bays

The following illustration shows the location of the expansion bays in your server. For installation instructions and information on the types of drives that you can install in these bays, see Chapter 4, “Installing Options” on page 73.



Diskette Drive Bay: This dedicated bay contains a 3.5-inch, 1.44 MB¹ diskette drive, which comes standard in all PC Server 704 models. This drive uses 1 MB and 2 MB diskettes. For optimum use, format 1 MB diskettes to 720 KB² and format 2 MB diskettes to 1.44 MB.

Removable-Media Drive Bays: Your PC Server 704 has four drive bays for removable-media devices such as tape-backup drives, compact disc read-only memory (CD-ROM) drives, optical drives, or additional diskette drives. One of these drive bays contains a SCSI-2 CD-ROM drive, which comes standard in all PC Server 704 models. For information about inserting CDs and using the CD-ROM drive, see “Using the CD-ROM Drive” on page 21.

Hot-Swap Bays: The hot-swap drive bays support up to 12 SCSI hard disk drives. The number of preinstalled drives and their capacities vary by model. The hot-swap feature enables you to remove and replace hard disk drives without turning off the server.

¹ MB equals approximately 1 000 000 bytes; total user-accessible capacity may vary depending on operating environment.

² KB equals approximately 1 000 bytes; total user-accessible capacity may vary depending on operating environment.

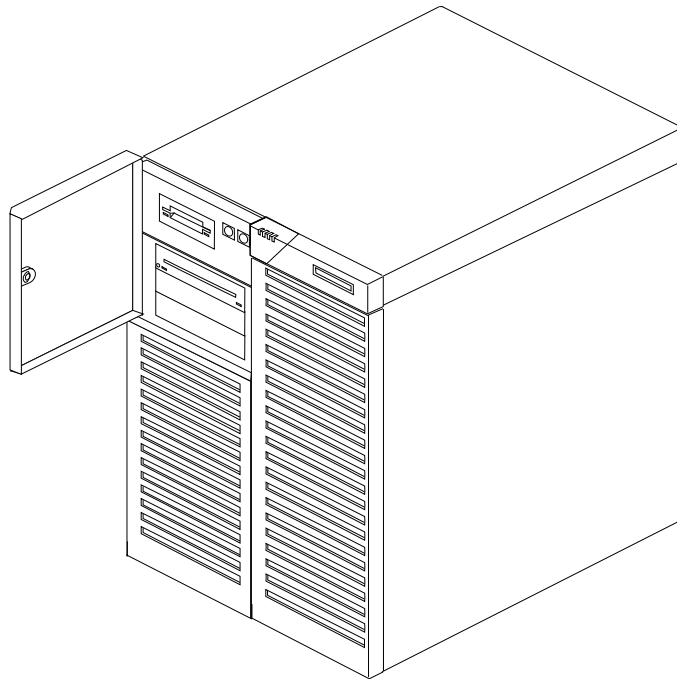
Moving the Server

6



CAUTION:

Due to the weight of the server, do not attempt to lift the server by yourself. To avoid possible injury while moving or lifting the server, ask another person to help you.



Before You Begin

If you have not already done so, unpack your server. If you are not installing any optional hardware now, connect the cables and power cord. Follow the instructions on the *Setup* sheet that comes with your server. After you complete these tasks, return here for further instructions.

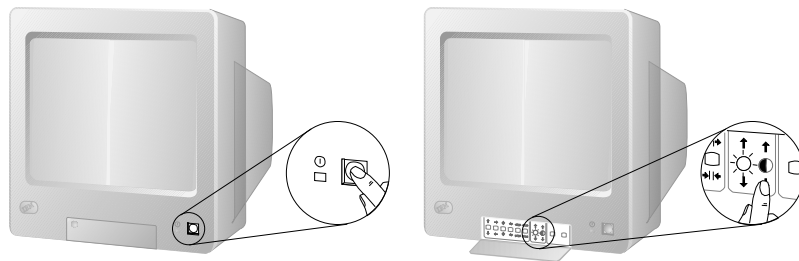
- Make sure you have an adequate number of properly grounded electrical outlets for your server, monitor, and any other options that you intend to install.
- Place your server in a location that is dry. Rain or spilled liquids might damage your server.
- Leave about 127 mm (5 in.) of space around the front and rear of your server to allow the server's cooling system to work properly.
- Have a supply of 1 MB and 2 MB, 3.5-inch diskettes available. You will need these diskettes later, when you install your operating system and backup your configuration and all important data.

Starting the Server

Starting the Server

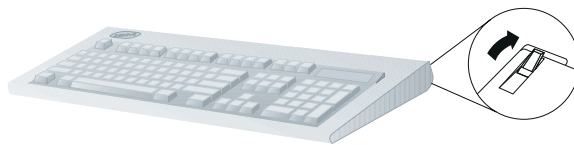
1. Turn on your monitor and adjust the Brightness and Contrast controls to the approximate midpoint.

You can readjust these controls and the monitor location for personal viewing comfort after you turn on your server.



Note: The locations of the Power Switch and the Brightness and Contrast controls on your monitor might be different from those shown above.

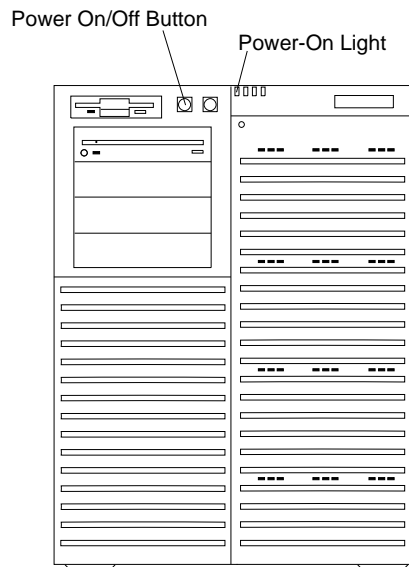
2. Adjust the keyboard feet and position the keyboard for personal typing comfort.



Starting the Server

3. Locate the keys; then, unlock and open the door. If the diskette drive contains packing material or a diskette, remove it from the drive.
4. If you installed any external devices, such as printers, plotters, or modems, turn them on now.
5. Turn on the server.

To turn on the server, press the Power On/Off button. The Power-on light comes on. The *power-on self-test (POST)* begins.



3



CAUTION:

The convex On/Off button on the front of the server does not turn off the electrical current supplied to the server. To remove all electrical current from the server, you must unplug all server and power supply power cords from the wall outlets.

Starting the Server

6. Check your monitor. The screen displays the IBM logo and a number that represents the amount of available server memory. The server beeps once to indicate that it is working properly.

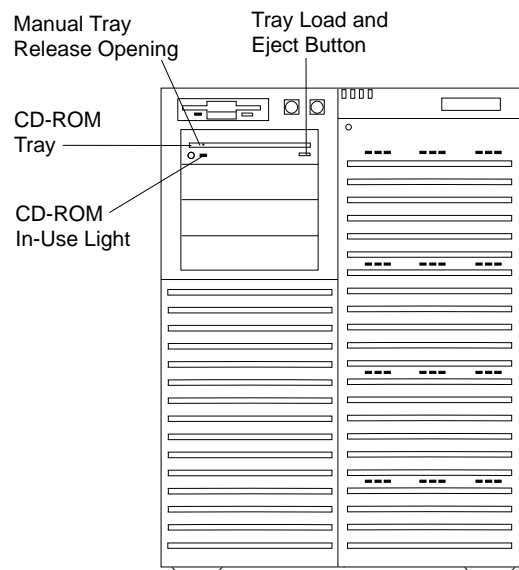
Notes:

- If you hear more than one beep, or no beep, check to see if an error message appears. If no operating system is installed, the system prompts you to insert a startable diskette. Insert a diskette, and install your operating system as described in your operating-system documentation. Also, see Chapter 2, “Installing Your Software” on page 27. If an error message appears, or if your screen is blank, see Chapter 5, “Solving Problems” on page 213.
- If your server stops running during testing or normal operation, call for service. Describe the problem to the service technician.

Using the CD-ROM Drive

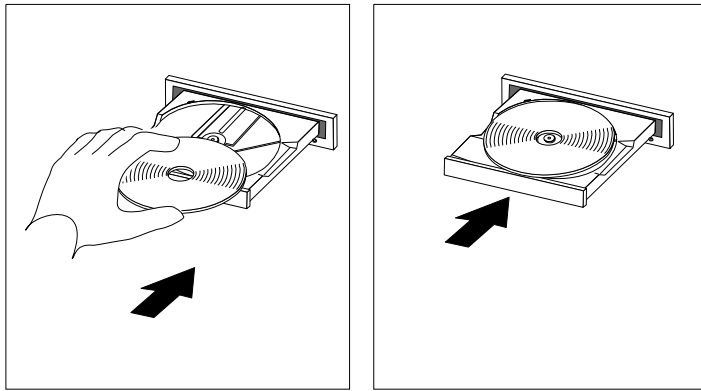
A SCSI-2 CD-ROM drive is a standard feature on all PC Server 704 models. To use the CD-ROM drive:

1. Have the CD ready.
2. Press the CD-ROM tray-release button.



Note: If the CD-ROM tray does not extend out, insert the end of a paper clip into the manual tray-release opening and gently pull the tray open.

3. Locate the tabs in the corners of the tray.
4. With the label information facing up, center and place the CD on the tray.



5. Press the Tray Load and Eject button to move the CD-ROM tray back into the drive.

Arranging Your Workspace

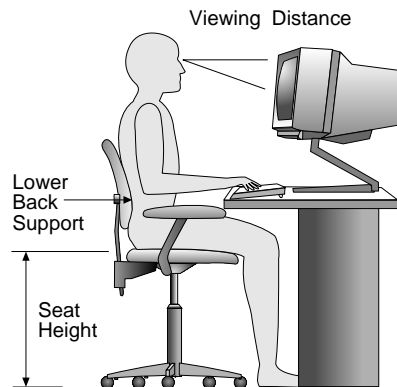
To get the most from your server, arrange both the equipment you use and your work area to suit your needs and the kind of work you do. Your comfort is of foremost importance, but light sources, air circulation, and the location of electrical outlets also can affect the way you arrange your workspace.

Comfort

Although no single working position is ideal for everyone, here are a few guidelines to help you find a position that suits you best.

Sitting in the same position for a long time can cause fatigue. A good chair can make a big difference. The backrest and seat should adjust independently and provide good support. The seat should have a curved front to relieve pressure on the thighs. Adjust the seat so that your thighs are parallel to the floor and your feet are either flat on the floor or on a footrest.

When using the keyboard, keep your forearms parallel to the floor and your wrists in a neutral, comfortable position. Try to keep a light touch on the keyboard and your hands and fingers relaxed. You can change the angle of the keyboard for maximum comfort by adjusting the position of the keyboard feet.



Adjust the monitor so the top of the screen is at, or slightly below, eye level. Place the monitor at a comfortable viewing distance,

Arranging Your Workspace

usually 51 to 61 cm (20 to 24 in.), and position it so you can view it without having to twist your body. Also position other equipment you use regularly, such as the telephone or a mouse, within easy reach.

Glare and Lighting

Position the monitor to minimize glare and reflections from overhead lights, windows, and other light sources. Even reflected light from shiny surfaces can cause annoying reflections on your monitor screen. Place the monitor at right angles to windows and other light sources, when possible. Reduce overhead lighting, if necessary, by turning off lights or using lower wattage bulbs. If you install the monitor near a window, use curtains or blinds to block the sunlight. You might have to adjust the Brightness and Contrast controls on the monitor as the room lighting changes throughout the day.

Where it is impossible to avoid reflections or to adjust the lighting, an antiglare filter placed over the screen might be helpful. However, these filters might affect the clarity of the image on the screen; try them only after you have exhausted other methods of reducing glare.

Dust buildup compounds problems associated with glare. Remember to clean your monitor screen periodically using a soft cloth moistened with a nonabrasive liquid glass cleaner.

Air Circulation

Your server and monitor produce heat. Your server has one or more fans that pull in fresh air and force out hot air. The monitor lets hot air escape through vents. Blocking the air vents can cause overheating, which might result in a malfunction or damage. Place the server and monitor so that nothing blocks the air vents; usually, 127 mm (5 in.) of air space is sufficient. Also, make sure the vented air is not blowing on someone else.

Arranging Your Workspace

Electrical Outlets and Cable Lengths

The location of electrical outlets and the length of power cords and cables that connect to the monitor, printer, and other devices might determine the final placement of your server.

When arranging your workspace:

- Avoid the use of extension cords. When possible, plug the server power cord directly into an electrical outlet.
- Keep power cords and cables neatly routed away from walkways and other areas where they might get kicked accidentally.

For more information about power cords, refer to the *User's Reference*.

Arranging Your Workspace

Chapter 2. Installing Your Software

Before you install software in your server, you need to determine the hardware, software, and operating system requirements for your operating environment. You might need to use the configuration programs on an adapter's Option Diskette before you install an operating system and other software.

This chapter provides hardware and software factors that you might want to consider before selecting and installing an operating system.

At this time, you should have unpacked your server and attached cables to it. (Refer to the *Setup* sheet for instructions.) See Chapter 1, "Introducing the PC Server 704" on page 1 for a description of your server features.

This chapter contains:

Installing an Operating System	28
Using ServerGuide	28
Before You Begin	29
OS/2 SMP 2.11 Installation	31
OS/2 LAN Server 4.0 Installation	32
Windows NT Server 3.51 Installation	34
Software Considerations	35
Device Drivers	36
Hardware Device Drivers	36
Installation Checklist	37

Installing an Operating System

The operating system that you select allows you to optimize some of the features in your server. Your server offers multi-processor capability so that you can take advantage of SMP technology. You can maximize the benefits of this technology, provided that you have an SMP-capable operating system, such as one of the following, installed in your server:

- OS/2 for SMP
- OS/2 LAN Server 4.0 Advanced
- Windows NT Server 3.51
- For the latest information about SMP operating systems supported by your PC Server 704:
 - In the U.S., call 1-800-772-2227.
 - In Canada, call 1-800-565-3344.
 - In all other countries, contact the IBM support organization that services your area, your IBM marketing representative, or your IBM reseller.

Some security features are operating-system dependent, which means that if you want to use them, you must install an operating system that supports them. To find out whether an operating system supports specific security features, see the documentation that comes with the operating system.

If your server came with a RAID adapter preinstalled, logical drives, except the startup drive, may be any size. However, the startup drive must be less than 2046 MB if you use the high-performance file system (HPFS), or 1024 MB if you use the file-allocation table (FAT). This applies to all operating systems.

Using ServerGuide

One of the easiest and most efficient ways to install an operating system and take advantage of a wide variety of the latest software for networking environments is to use ServerGuide.

If your server came with ServerGuide, you can install an operating system from the ServerGuide package, or you can install an

operating system that you purchased and still use many of the features available on ServerGuide. (For example, you can install NetFinity, a LAN systems-management program; run demonstration programs; use the performance-tuning feature; and do much more.)

If you have not already done so, take the time now to read the information that came with the ServerGuide package; then, return here.

Before You Begin

You can install an operating system from the diskettes or CDs that come with the operating system.

The ServerGuide package contains various operating-system updates that are designed specifically to work with your server. Some of these updates are not provided in existing, off-the-shelf versions of the operating systems. If you intend to use one or more of the operating systems that are provided in the ServerGuide package, use ServerGuide for the installation.

Note: You can use ServerGuide to install an off-the-shelf operating system that you purchased.

If you choose not to use ServerGuide to install your operating system, you must install the SCSI and SVGA device drivers. The device drivers are on the diskettes that came with the server. Follow the installation instructions in your operating-system documentation. The README files on the diskettes might contain additional information.

Note: If your server has a network adapter or RAID adapter installed, you must install the required device drivers. Follow the installation instructions in your network-adapter documentation or RAID adapter documentation.

- Before you install an operating system on a server that has a RAID adapter installed, use the configuration programs on the RAID adapter Option Diskette to view or change the existing disk-array configuration. Refer to the RAID adapter documentation for detailed instructions; then, return here.

- Before you install an operating system, configure the network adapter for your operating system. Use the configuration programs on the network-adapter configuration diskette to view or change the existing configuration. Refer to your network-adapter documentation for detailed instructions; then, return here.
- If you have not already installed your options, do so now, before you install your operating system; then, return here.
- If you are installing your operating system:
 1. Review “Software Considerations” on page 35; then, return here.
 2. If ServerGuide came with your server, you can use ServerGuide to install your operating system. Before you install your operating system through ServerGuide, review the entire ServerGuide package and follow the instructions. In addition, review your operating-system documentation for any special operating-system considerations and follow the instructions. If you are installing one of the following operating systems, also follow the instructions in these sections:
 - If you are installing OS/2 SMP 2.11, go to “OS/2 SMP 2.11 Installation” on page 31.
 - If you are installing OS/2 LAN Server 4.0, go to “OS/2 LAN Server 4.0 Installation” on page 32.
 - If you are installing Windows NT Server 3.51, go to “Windows NT Server 3.51 Installation” on page 34.

After you complete your operating-system installation tasks, go to “Installation Checklist” on page 37.

3. Review the information in the remaining sections of this chapter.

OS/2 SMP 2.11 Installation

If you have an OS/2 2.11 SMP license and you want to install OS/2 2.1 SMP on your PC Server 704, call IBM and request authorized program analysis report (APAR) II08627.

- In the U.S. and Puerto Rico, call 1-800-992-4777.
- In all other countries, contact your IBM reseller or IBM marketing representative.

You must provide your OS/2 license information. The HelpWare group will ship you a CD and installation diskettes.

In addition, you must do the following steps:

1. Run the System Configuration Utility program as described in “Starting the System Configuration Utility Program” on page 47.
2. Select **Step 3: Change Configuration Settings** from the menu.
3. Select **System Board**.
4. Select **MP Spec**.
5. Verify that the MP Spec version is 1.1. If the version number is different, change it to 1.1.
6. If your server did not come with ServerGuide, or if you chose not to use ServerGuide to install your operating system, continue with the next step. Otherwise, skip the remaining steps and go to “Device Drivers” on page 36; then, go to “Installation Checklist” on page 37.
7. Modify a backup copy of OS/2 diskette 1 as follows:
 - a. If your server came with a RAID adapter installed, do these steps:
 - 1) Add the appropriate line to the CONFIG.SYS file on your RAID adapter device-driver diskette. Refer to your RAID adapter documentation to obtain the required line for the CONFIG.SYS file.

- 2) Copy the appropriate driver from your RAID adapter device-driver diskette. Refer to your RAID adapter documentation to obtain the name of this device driver.
 - 3) Copy the AIC7870.ADD driver from your Adaptec device-driver diskette.
 - 4) Go to step 8.
- b. If your server did not come with a RAID adapter installed, copy the AIC7870.ADD driver from your Adaptec device-driver diskette.
8. Specify the appropriate SCSI device drivers when you are prompted to do so during the operating-system installation process. Use the SCSI device-driver diskettes that come with your server.

Note: If you create an installation partition, the recommended size is less than 500 MB.

OS/2 LAN Server 4.0 Installation

Several Fixpaks are available for OS/2 LAN Server 4.0. These Fixpaks are updated periodically to provide optimum support of OS/2 LAN Server 4.0 functions across a wide range of hardware configurations. To receive these updates in the U.S., call the IBM OS/2 Technical Support Center at 1-800-992-4777 and request APAR IC11489. In all other countries, contact the IBM support organization that services your area, your IBM marketing representative, or your IBM reseller.

If you have already installed OS/2 LAN Server 4.0, install these Fixpaks, and skip the remainder of this section. If you have not already done so, review "Device Drivers" on page 36; then, go to "Installation Checklist" on page 37.

Before you install OS/2 LAN Server 4.0, verify that you have the correct network adapter drivers. These files are required for installing OS/2 LAN Server 4.0.

To install OS/2 LAN Server 4.0, do the following steps:

1. Run the MPTS utility program with LAN Server 4.0 or OS/2 Requester 4.0.

Note:

- MPTS = Multiple Protocol Transport Services
- LAPS = LAN Adapter Protocol Support

2. Click **Install**.
3. When you are prompted, insert the network-adapter configuration diskette in drive A and click **OK**.
4. When Install reads the network adapter disk, installation is complete. Click **OK**. The adapter driver has been copied to your server.
5. Click **Configure** from the MPTS window.
6. At the Configure window, make sure the LAN adapters and protocols button is highlighted, and click **CONFIGURE**.
7. At the LAPS Configuration window, select the appropriate network adapter from the Network Adapters windows.
8. Click **Add** in the Network Adapter window to add the network adapter to the current configuration.
9. Select your desired Protocols from the Protocol window. Click **Add** from this window to add the protocols to the current configuration.
10. Click **OK** when you are done and follow the prompts to exit MPTS. Your CONFIG.SYS file is automatically updated.
11. Shutdown and reset your server so that the changes you have made can take affect.

After you install OS/2 LAN Server 4.0, install the Fixpaks that were described at the beginning of this section; then, review “Device Drivers” on page 36 and “Installation Checklist” on page 37.

Windows NT Server 3.51 Installation

For installation instructions for Windows NT Server 3.51, refer to the README file on the diskette that comes with your operating system.

In addition, you must do the following steps:

1. Run the System Configuration Utility program as described in “Starting the System Configuration Utility Program” on page 47.
2. Select **Step 3: Change Configuration Settings** from the menu.
3. Select **System Board**.
4. Select **MP Spec**.
5. Verify that the MP Spec version is 1.4. If the version number is different, change it to 1.4.
6. If your server did not come with ServerGuide, or if you chose not to use ServerGuide to install your operating system, continue with the next step. Otherwise, skip the remaining steps and go to “Device Drivers” on page 36; then, go to “Installation Checklist” on page 37.
7. Format every hard disk drive that is installed in the server:
 - a. If your server came with a RAID adapter installed, review your RAID adapter documentation to obtain the appropriate FORMAT command for your server. Run the RAID adapter utility program to format the hard disk drives.
 - b. If your server did not come with a RAID adapter installed, review your *SCSI Software User's Guide* to obtain the appropriate FORMAT command for your server. Run the Adaptec utility program to format the hard disk drives.
8. Start a DOS diskette.
9. Use a DOS FDISK command to create an installation partition. The recommended size is less than 500 MB.
10. Modify the first installation diskette with NTKRNLMP.EXE from Microsoft Service Pack #3.

11. If your server came with a RAID adapter installed, do these steps:
 - a. Use the RAID adapter device-driver diskettes to specify either the IPSRAID or DAC960.ADD driver.
 - b. Use the Adaptec device-driver diskette to specify the AIC78XX.SYS driver.
12. If your server did not come with a RAID adapter installed, use the Adaptec device-driver diskette to specify the AIC78XX.SYS driver.

Software Considerations

IBM and other manufacturers of operating systems, network programs, and application programs periodically make software updates available. These updates provide enhancements and corrections. To ensure that the software you install functions properly, contact the manufacturers to obtain the most current updates.

If you intend to install an IBM operating system or network programs, such as OS/2 for SMP or OS/2 LAN Server 4.0 Advanced, you can obtain the most current software updates from the IBM OS/2 Technical Support Center. These software updates are called ServicePaks or corrective-service diskettes (CSDs). In the U.S. or Canada, you can call the IBM OS/2 Technical Support Center at 1-800-992-4777.

For the latest information about hardware device drivers supported by your PC Server 704:

- In the U.S., call IBM at 1-800-772-2227.
- In Canada, call 1-800-565-3344.
- In all other countries, contact the IBM support organization that services your area, your IBM marketing representative, or your IBM reseller.

If you connect devices to the internal integrated SCSI connectors in a server that has a RAID adapter installed, the server might attempt to start from these non-RAID devices.

Device Drivers

Device drivers are programs designed to support a specific type of hardware device. They provide instructions that enable the server to interact with the device, or to take advantage of a device's special feature. Not all devices require device drivers. However, if your server did not come with ServerGuide or if you choose not to use ServerGuide to install your operating system, the following devices require the installation of device drivers:

- Network adapters
- Integrated SCSI-2 controllers
- PCI RAID adapters
- SVGA video controller

Before you install the device drivers, review the README files on the diskettes that come with your server. These README files contain the information that you need to install the device drivers.

Note: See “Configure/View Host Adapter Settings” on page 65 and the following documentation for detailed instructions:

1. If your server came with a network adapter installed, refer to your network-adapter documentation.
2. If your server came with a RAID adapter installed, refer to your RAID adapter documentation.
3. If your server did not come with a RAID adapter installed, refer to your *SCSI Software User's Guide*.

Hardware Device Drivers

For the latest information about hardware device drivers for the IBM PC Server 704 and OS/2 for SMP 2.11:

- In the U.S. and Puerto Rico, call IBM at 1-800-772-2227
- In Canada, call IBM at 1-800-565-3344
- In all other countries, contact the IBM support organization that services your area, your IBM marketing representative, or your IBM reseller.

Note: In the United States and Canada, service is available toll-free, 24 hours a day, 7 days a week.

Installation Checklist

Important

Be sure to maintain at least 127 mm (5 in.) of space at the rear of the server to allow the server's cooling system to work properly. Blocking the air vents can cause overheating, which might result in a malfunction or permanent damage.

Your server hardware is set up, and you are ready to learn about your server. The order in which you do these tasks is up to you. Use the following checklist as a guide.

Learn about your server and the system utility programs

Your server comes with utility programs to help you configure your server and troubleshoot problems. See Chapter 3, “Configuring Your Server” on page 39 for information about configuring your server and using these utility programs. See Chapter 5, “Solving Problems” on page 213 for details about troubleshooting. If your server came with a RAID adapter preinstalled, read and become familiar with your RAID adapter documentation.

Record your identification numbers

Your server has important identification information that you will need if you have it serviced. Appendix A, “Server Records” on page 279 shows where to find these numbers, and provides space to record and retain information.

Install options

If you have options to install, you might want to complete these installations now. See Chapter 4, “Installing Options” on page 73 for step-by-step installation instructions.

Installation Checklist

Complete setting up your PC Server 704

If you need to set the date, time, passwords or drive-startup sequences, or do other system setup tasks, use the procedures in Chapter 3, “Configuring Your Server” on page 39.

Install device drivers

If you install your operating system without using ServerGuide, be sure to install the SCSI, RAID adapter, and network-adapter device drivers. If you use ServerGuide to install your operating system, verify that the appropriate device drivers are installed correctly. These device drivers are on the diskettes that come with your server.

These diskettes contain README files to help you install device drivers and complete your installation. Be sure to review the README files *before* you install the device drivers.

Install option files

Some options that you install might come with a diskette that contains device drivers, configuration files, or test programs. To install these files (after your operating system is installed), follow the instructions that come with the diskettes.

Install application programs

To install application programs, follow the instructions supplied with each application program.

Review your *User's Reference*

The *User's Reference* contains information about the hardware and software features and expansion capabilities of your server. It also contains information about the microprocessors, memory, data-storage devices, video subsystems, input and output (I/O) ports, SCSI subsystem, and security. The *User's Reference* also includes a glossary and your product warranty information.

Chapter 3. Configuring Your Server

This chapter provides information about the configuration and utility programs that come with your server, as well as instructions that tell you when and how to use them.

This chapter contains:

Configuration Overview	40
Using the Setup Program	41
Changing Settings	41
Starting the Setup Program	42
Recording and Restoring Default Settings	43
Disabling the Diskette Drive	44
Using the System Configuration Utility Program	45
Backing Up the SCU Program Diskette	46
Starting the System Configuration Utility Program	47
Defining Security	52
Administrative Password	54
User Password	55
Setting the Drive-Startup Sequence	56
Secure Mode	57
Configuring EISA, ISA, and PCI Adapters	58
Configuring ISA or EISA Features and Options	59
Configuration Conflicts	61
Resolving Hardware Configuration Conflicts	62
Resolving Software Configuration Conflicts	63
Using the SCSISelect Utility Program	64
Starting the SCSISelect Utility Program	64
SCSISelect Utility Program Options	64
Configuring the 100/10 PCI Ethernet Adapter	67
Configuring for Windows NT Server 3.51	68
Configuring for Other Operating Systems	69
Duplexing	69
Fast Ethernet Cabling	70
Fast Ethernet Hubs	70
Configuring Other Network Adapters	71

Configuration Overview

You play a key role in how your server allocates resources to organize and interconnect hardware devices and software programs. This allocation process is referred to as *configuration*. The steps required to configure your server depend on the number and variety of devices and programs that you install.

Your server has the flexibility and power to support several types of adapters. This flexibility lets you choose from among thousands of adapters and devices that comply with any of the following standards:

- Peripheral Component Interconnect (PCI)
- Extended Industry Standard Architecture (EISA)
- Industry Standard Architecture (ISA)
- SCSI-2 (SCSI)

In general, the greater the number and variety of hardware devices and software programs you install in your server, the more you will have to interact with your server and your devices to correctly configure your system.

Several hardware configuration utility programs come with your server. Use the built-in Setup program to define the system date and time, and control access to the diskette drive.

The System Configuration Utility (SCU) program is your main tool to configure the system. Use it to define most configuration settings. The values that you enter in the System Configuration Utility program override the entries in the Setup program.

See “Using the SCSISelect Utility Program” on page 64 and the *SCSI Software User's Guide* for information on using the SCSI-2 utility programs to configure the SCSI devices that you attach to the SCSI controllers on the system board.

Configuration switches and jumpers reside on the system board. The switches enable you to define some configuration settings.

Setup Program

If your server came with a network adapter, use the network-adapter configuration program to configure and test the network adapter. Follow the instructions in your network-adapter documentation. If your server came with a RAID adapter preinstalled, refer to the RAID adapter documentation for configuration information.

Using the Setup Program

The Setup program stores configuration values in nonvolatile random-access memory (NVRAM) and in the battery-backed memory of the real-time clock. Entries that you make in the System Configuration Utility program overwrite the entries made in the Setup program.

You perform much of the system configuration through the System Configuration Utility program, not the Setup program. Because the System Configuration Utility program resides on diskette, you must enable the diskette drive before using the System Configuration Utility. After configuring the system, you might prefer to secure it against casual or unauthorized access by running the Setup program to disable the diskette drive.

In most cases, the server operates using the default settings, and you need to change the settings only to resolve configuration conflicts or to enable or change device function (for example, defining diskette drive types).

Review this section and the information that came with the device before making changes. Also, record the current settings (see “Recording and Restoring Default Settings” on page 43) before making any changes.

Changing Settings

You can advance through the screens by pressing the Page Up (**PgUp**) or Page Down (**PgDn**) key. Use the Up Arrow (↑) or Down Arrow (↓) key to advance through the items on the screen. Change selections by first advancing to the item that you want to change; then, use the plus key (+) or minus key (-) to make the change.

Setup Program

Online Help information is available on the right side of the screen for each selection. To access menu-bar selections within the Setup program, use the Right Arrow (→) or Left Arrow (←) key.

The Setup program consists of the following menu bar selections:

Main: Select this choice to set the System Time and Date. This menu also allows you to view or change configuration settings for diskette drives.

Advanced: This choice allows you to view the settings of integrated peripherals, and identify the type and speed of the processors.

Security: Select this choice to set passwords.

Help: General help information is available by pressing **F1**.

Starting the Setup Program

To access the Setup program:

1. Remove all diskettes from the server.
2. Turn on the server and watch the screen. Be ready to act quickly.
3. Immediately after the system initialization procedure begins and before the IBM logo screen appears, the system prompts you to Press <F1> if you want to run SETUP. As soon as you see that prompt, press **F1**. If the Setup program screen does not appear, restart your system and try again.

Note: If a configuration error occurs, a prompt appears before the operating system starts (see “Configuration Conflicts” on page 61).

4. If you have set a user or administrative password, the system prompts you to enter it. If you have set both passwords, enter either one.
5. Follow the instructions on the screen to view or change the configuration.

You must *correctly* exit from the Setup program to save the configuration information.

Setup Program

6. Press **Esc** or move the cursor to the **Exit** option on the menu bar.
7. Select **Exit** from the menu bar.
8. Select **Exit Saving Changes**.

Recording and Restoring Default Settings

If you have a printer attached to your server, you can use the **Print Screen** key to print the configuration settings. The default settings are helpful when you install additional options, or if the system requires service. Also, record the new settings each time that you make changes. Be sure to record the current configuration settings in “Installed Device Records” on page 280. You can restore default settings by using the Setup program.

To restore default settings:

1. Turn on the server.
2. Press **F1** to enter the Setup program.
3. Select **Exit** from the menu bar.
4. Select **Load Setup Defaults**.

Setup Program

Disabling the Diskette Drive

After configuring the system, you might prefer to secure the system against casual or unauthorized access by running the Setup program to disable the diskette drive. This is especially useful in securing the System Configuration Utility program, which is provided on diskette. You can disable the diskette drive through the Setup program:

1. Turn on the server.
2. Press **F1** to enter the Setup program.
3. Select **Main** from the menu bar.
4. Select **Floppy Options**.
5. Select the drive that you want to disable.
6. Press **Esc** or move the cursor to the **Exit** option on the menu bar.
7. Select **Exit** from the menu bar.
8. Select **Exit Saving Changes**.

Using the System Configuration Utility Program

The System Configuration Utility program provides a convenient method to configure various system settings. This program automatically configures system adapters and maintains system parameters. Because the System Configuration Utility program assigns system resources, conflicts between adapters are less likely to occur. In most cases, the server operates with the configuration default settings.

If a conflict does occur, see “Configuration Conflicts” on page 61.

You must use the System Configuration Utility program anytime you want to change resource allocations, such as:

- Adding, deleting, or moving ISA or EISA devices
- Resolving conflicts
- Maintaining security functions

The System Configuration Utility program automatically configures PCI devices, Plug and Play devices, and system memory.

Each time that you use the System Configuration Utility program to configure your server, the configuration information is saved to the nonvolatile random-access memory (NVRAM) and in a backup file (with an extension of *.CMS*). Only devices that you install and configure correctly appear on the System Configuration Utility program screens.

Review this section and the information included with the devices you are adding before making changes. Also, record the current settings (see “Recording the SCU Program Settings” on page 51) before making any changes. The values you enter using the System Configuration Utility program override the entries in the Setup program.

System Configuration Utility

A screen similar to the following appears when you start the SCU program.

```
SYSTEM CONFIGURATION UTILITY, Release x.xx
      Step 1: About System Configuration
      Step 2: Add and Remove Boards
      Step 3: Change Configuration Settings
      Step 4: Save Configuration
      Step 5: View Switch/Jumper Settings
      Step 6: Exit

[Select=ENTER]  [Exit=Esc]  [Help=F1]  [Utilities=F9]
```

In most cases, the server will operate using the default settings, and you need to change the settings only to resolve configuration conflicts or to enable or change device function (for example, define the drive startup sequence).

Use the following commands to navigate through the screens and make selections:

Action	Press Key
Change between major menus	← or →
Highlight an item	↑ or ↓
Select an item	Enter
End activity without changing configuration	Esc
Get help	F1

Backing Up the SCU Program Diskette

Use an operating-system command, such as the DOS DISKCOPY command, to make a *complete* backup copy of the System Configuration Utility program diskette. Using the backup copy can

System Configuration Utility

prevent damage to the original diskette. Your operating-system documentation provides information on backing up diskettes.

Starting the System Configuration Utility Program

To access the System Configuration Utility program:

1. Insert the backup copy of the System Configuration Utility program diskette into the diskette drive.
2. Turn on the system. Or, if the system is turned on, press **Ctrl+Alt+Del**.

Or, at the DOS prompt for drive A, type SCU and press **Enter**.

The system begins the power-on self-test (POST). If you have set a user password, the system prompts you to enter it.

Notes:

- a. If a user password is set, you *must* enter it to access the System Configuration Utility program. If you have set user and administrative passwords, you can enter either one.
 - b. If a configuration error occurs, a prompt appears before the operating system starts (see “Configuration Conflicts” on page 61).
3. Press **Enter** when the SCU title screen appears.
 4. Follow the instructions on the Main Menu screen to view or change the configuration. The remainder of this chapter explains the menu selections. Refer to “Utilities” on page 51 for information on the SCU utilities accessible from this screen.

Step 1: About System Configuration

Select **About System Configuration** for an overview of the program. You can select from a menu for specific information about each function.

You can also press **F1** for on-line Help information while performing a configuration function.

System Configuration Utility

Step 2: Add and Remove Boards

Select **Add and Remove Boards** to add, remove, or move any adapter. The System Configuration Utility program automatically detects and adds most adapters. This step provides a list of all correctly configured devices. You can press **F6** to add ISA devices to the configuration.

The server requires configuration files to correctly configure ISA and EISA adapters. You *must* copy the configuration file, which has a file-name extension of *.CFG*, from the device option diskette to the System Configuration Utility program diskette before installing the device in the server.

If you have set an administrative password, the system prompts you to enter it.

Note: If the administrative password entry prompt appears, you *must* enter it to access this selection.

If you have not set an administrative password, the system prompts you to set one. You can press **Esc** to continue using the System Configuration Utility program without setting an administrative password.

System Configuration Utility

Step 3: Change Configuration Settings

After adding adapters, select this choice to change the configuration, if necessary. If you change a setting in this step, you might need to change a switch or jumper setting on the system board or on a device. See the tables in “Installed Device Records” on page 280 for a listing of the settings and default values.

All settings will remain in the default position if you do not use this selection to change the configuration.

If you have set an administrative password and you have not used the Add and Remove Boards choice during this session, the system prompts you to enter your password.

Note: If the administrative password entry prompt appears, you *must* enter the password to access this selection.

If you have not set an administrative password, the system prompts you to set one. You can press **Esc** to continue using the System Configuration Utility program without setting an administrative password.

Advanced Options: Press **F9** to display the Advanced Options Menu screen. This screen provides options to display configuration data. You can select the following choices:

Option	Description
Global Resource Map	Lists allocated resources.
Board Details	Provides details on the adapter highlighted on the Change Configuration Settings screen.
System Details	Displays configuration data on the entire system and its present state of configuration.
Physical Board ID	Lists the identifiers of adapters physically installed in the system.

System Configuration Utility

Step 4: Save Configuration

This choice saves the configuration settings to nonvolatile random-access memory (NVRAM) and in a backup file (with an extension of *.CMS*).

Note: Be certain you want to save this configuration data, because once you select this choice, the save process begins immediately.

If you have set an administrative password and you have not used the Add and Remove Boards, or Change Configuration Settings choices during this session, the system prompts you to enter it.

Note: If the administrative password entry prompt appears, you *must* enter your password to access this selection.

If you have not set an administrative password, the system prompts you to set one. You can press **Esc** to continue using the System Configuration Utility program without setting an administrative password.

Step 5: Switch/Jumper Settings

Select **View Switch/Jumper Settings** to display the current settings of switches and jumpers on any adapter that is switch or jumper configurable.

System Configuration Utility

Utilities

The **Utilities** choice controls some aspects of how the system generates configuration data. For example, the System Configuration Utility program can prompt the user to manually add boards. Press **F9** from the Main Menu screen to access the Utilities screen.

Press the **space bar** to select an option. Refer to the following table for information on the choices on this menu.

Options	Description
Remote Mode	Configure a server other than the server that you are using.
Advanced/Dealer Mode	Maintain settings not typically set by an average user.
Force New Configuration	Generate all new configuration data for PCI devices. If not selected, the system uses the existing configuration settings.
Load CFG Files Manually from Directory List	Prompt the user to add boards manually.
Ignore ID Mismatches	Select to have the System Configuration Utility program load configuration data for all adapters, even adapters physically present during the last configuration but not now present.

Step 6: Exit

This choice exits the System Configuration Utility. If you have changed configuration settings, you can optionally press **F10** to restart the system so that the new settings take effect. Otherwise, press **Enter** to exit the System Configuration Utility program.

Recording the SCU Program Settings

Record the default configuration settings on a separate sheet then store the sheet in a safe place for future reference. If you have a printer attached to your server, you can use the **Print Screen** key to print these settings. The settings are helpful when you install additional options, or if the system requires service. Also, record the new settings each time you make changes. Be sure to record the current configuration settings in the tables in “Installed Device Records” on page 280.

Defining Security

To control access to your server, you can implement several of the security measures described in your *User's Reference*, including password protection.

Password Overview

Two types of passwords are available with the PC Server 704. These are the administrative and user passwords. You can set both passwords using the Setup program and the System Configuration Utility program.

Note: Table 8 on page 281 provides the default values for all security-related data fields.

Enter Password appears on the screen to prompt you. (The passwords do not appear on the screen as you type them.) If you enter the wrong password, Enter Password appears again. After three incorrect attempts, you must turn off the server and start again.

Note: You can use any combination of up to seven characters (A–Z, a–z, and 0–9) for your passwords. For additional security, the user and administrative passwords should not be the same. Keep a record of your password in a secure place.

The following table summarizes the levels of security with the different levels of password protection.

Security

Type of Password	Results
No password set	<ul style="list-style-type: none">• No password required to start system.• No password required to access the System Configuration Utility program and Setup program.• User can access all System Configuration Utility program functions.• Secure mode is not functional.
User password only	<ul style="list-style-type: none">• User must enter password to complete the system startup.• Password required to access the System Configuration Utility program, Setup program, and disable secure mode.• User can access all System Configuration Utility program functions.
Administrative password only	<ul style="list-style-type: none">• No password required to start system.• Password required to access Setup program.• User can access the System Configuration Utility program, but password is required to access sensitive SCU functions.• Secure mode is not operational.
Administrative <i>and</i> user passwords	<p>User must enter either password to complete the system startup.</p> <ul style="list-style-type: none">• User must enter either password to access System Configuration Utility program, or Setup program.• Administrative password required to access sensitive SCU functions.• User password required to disable secure mode.

You may prefer to set the administrative password in the Setup program before you configure the system. This will help secure your configuration data by restricting access to some System Configuration Utility program functions. See “Administrative Password” on page 54 for instructions for setting the administrative password.

Security

Administrative Password

If you have set an administrative password, you must enter it to use System Configuration Utility functions that allow you to change configuration data. Before you set an administrative password, you might want to first set your drive-startup sequence, as described in “Setting the Drive-Startup Sequence” on page 56.

If an administrative password is set and then forgotten, you can clear the password from memory using a system board configuration switch. Refer to “Clearing All Passwords (Switch S6A1-2)” on page 301 for more information.

To set an administrative password in the Setup program:

1. Start the Setup program.
2. Select **Set Administrative Password** from the Security Menu screen.

The **Set Administrative Password** screen appears.

3. Type a password in the **Enter New Password** data field.

Note: To remove an administrative password, press **Enter** when the **Enter New Password** data field is blank.

4. Press **Enter**.

The cursor moves to the **Confirm New Password** data field.

5. To verify that you typed the correct password, type the password in the **Confirm New Password** data field. If you did not type the correct password, you must re-enter the password in the **Enter New Password** data field. Return to step 3.

6. If you typed the correct password, press **Enter** to save it.

Note: To change an existing administrative password, follow steps 1 through 6.

The password becomes effective immediately after you save it.

User Password

You do not need to set a user password, but a user password helps to protect the information that you store in your server. It allows you to enable secure mode and write-protect the boot sector of a hard disk drive. Write-protecting the boot sector is a form of virus protection.

If a user password is set and then forgotten, you can clear the password from memory using a system-board configuration switch. Refer to “Clearing All Passwords (Switch S6A1-2)” on page 301 for more information.

To set a user password in the Setup program:

1. Start the Setup program.
2. Select **Set User Password** on the Security Menu screen.
The **Set User Password** screen appears.
3. Type the password in the **Enter New Password** data field.
4. Press **Enter**.

The cursor moves to the **Confirm New Password** data field.

5. To verify that you typed the new password correctly, type the password in the **Confirm New Password** data field. If you did not type the correct password, you must re-enter the password in the **Enter New Password** data field. Return to step 3.
6. If you typed the correct password, press **Enter** to save it.

Note: To change an existing user password, follow steps 1 through 6.

The password becomes effective immediately after you save it.

Setting the Drive-Startup Sequence

The drive startup sequence allows you to control the startup sequence of the drives in your server. Each time you turn on the server, it checks the drives as it looks for the operating system. The order in which the system checks the drives is the drive-startup sequence.

In most cases, you do not need to change the default drive-startup sequence. However, you might want to do so if you are working with multiple operating systems, or diskette drives of different sizes.

The default drive-startup sequence first checks the primary diskette drive for a self-starting (bootable) diskette. If one is present, the operating system or program is loaded from the diskette. If not, the system then checks the primary hard disk drive for an operating system. If one is present, it loads the operating system from that hard disk drive.

If you start the system from a diskette, the drive that contains the diskette becomes drive A, regardless of the defined sequence, and the first hard disk drive that you select in the startup sequence becomes drive C.

If you elect to switch the startup sequence of the diskette drives, use the **Floppy Options** selection in the System Configuration Utility program Main Menu screen.

To change the startup sequence:

1. Start the System Configuration Utility program.
2. Select **Peripheral Configuration Group**.
3. Scroll through the settings and locate the **Boot Subsystem Group**; then, follow the instructions on the screen.

Secure Mode

Secure mode secures the system against unauthorized use. Secure mode inhibits keyboard and mouse input, and disables the power switch and reset button. Secure mode takes effect when the keyboard and mouse remain inactive for an amount of time that you determine. You can gain access to the system only after you enter the correct user password.

Note: You must set a user password before you can enable secure mode.

Refer to the following table for information on the options available for the secure mode.

Options	Description
Hot Key Option	Specifies a set of keyboard commands that will place the system immediately into secure mode.
Lockout Timer	Specifies a keyboard and mouse inactivity time-out period of 1 to 128 minutes (in one minute increments). If the timer is enabled, and no keyboard or mouse activity occurs for the specified period, keyboard and mouse input is inhibited.
Secure Boot Mode	When this option is enabled, it disables the keyboard and mouse after POST completes and the operating system has loaded. Enter the user password to unlock the keyboard and mouse.
Video Blanking	Specifies whether secure mode will cause the monitor to blank out.
Floppy Writes	Specifies whether writing to a diskette is enabled or disabled when the system is in secure mode.

Configuring EISA, ISA, and PCI Adapters

Before installing a new device or program, read the documentation that came with it. Reading the instructions helps you to determine the steps required for installation and configuration. The following list provides a preview of the actions that might be required to configure your server.

Note: During POST, your server automatically configures ISA Plug and Play, EISA, and PCI devices.

Run the System Configuration Utility program when you first set up and configure your system, if you have added or removed any hardware options, or if you receive an error message instructing you to do so.

1. Start the System Configuration Utility program and:
 - a. Record the current configuration settings.
See “Starting the System Configuration Utility Program” on page 47.
 - b. Install configuration files (.CFG).
Note: If the .CFG files didn't come with the adapter, see “Configuration Files” on page 59.
See “Recording the SCU Program Settings” on page 51 and “Starting the System Configuration Utility Program” on page 47.
2. Set jumpers or switches on the system board.
See “Changing Jumper and Switch Settings” on page 289.
3. Set jumpers or switches on the device.
See the instructions that came with the adapter.
4. Install the adapter in the server.
See “Installing Adapters” on page 143.
5. Install software programs.
See the installation instructions that came with the software.

6. Resolve configuration conflicts.

See “Configuration Conflicts” on page 61.

Configuring ISA or EISA Features and Options

Some ISA and most EISA devices come with option diskettes. These diskettes can contain any or all of the following types of information:

- Configuration files (.CFG)
- Diagnostic files
- Device drivers
- Sample applications (mini-applications)

Configuration Files

The server requires a configuration file to configure the server for ISA or EISA adapters. You must copy this configuration file, which has a file-name extension of .CFG, from the device option diskette to the System Configuration Utility program diskette before installing the device in the server.

The configuration file reserves the system resources that the adapter needs to function properly. Some ISA adapters come with a diskette that contains the .CFG file for the adapter. If you want to install ISA adapters that did not come with their own .CFG files, use the System Configuration Utility program to create a unique .CFG file for each adapter.

Note: The unique .CFG files are slot sensitive. That is, they should not be used to configure identical adapters in multiple systems unless you install the adapters in the same expansion slots within each system.

ISA/EISA Configuration

To create a unique *.CFG* file for an ISA adapter:

1. At the System Configuration Utility program Main Menu screen, select **Add and Remove Boards**.
2. Press **F6** (Define ISA).
3. At the ISA Definition screen, type in the adapter manufacturer and description (for example, IBM Token Ring).

Refer to the adapter documentation for information about specific configuration parameters, such as interrupt request levels (IRQs) or direct memory access (DMA) channels, that are required for the adapter. Then, follow the instructions on the screen to enter the appropriate parameters.
4. After you type in all of the appropriate parameters, press **F10** to save the data.
5. At the Main Menu screen, select **Save Configuration**.

Note: PCI devices do *not* require *.CFG* files.

Diagnostic Files

The Diagnostic program that comes with your server is the primary method of testing the server. Some optional devices and adapters come with option-specific diagnostic files. These files provide a more specialized test of the option. "About the Test Programs" on page 219 provides additional information about installing and using diagnostic files. Refer to the documentation that came with the option for information on installing and running option-specific diagnostics.

Device Drivers

Device drivers are programs designed to support a specific type of hardware device. They provide instructions that enable the server to interact with the device, or to take advantage of a device's special feature. The device driver might ship with the operating system, the application program, or on an option diskette. Not all devices require device drivers. Refer to the documentation that came with the option for additional information.

Configuration Conflicts

Sample Applications

Some optional devices provide small applications or sampler files. These applications demonstrate the capabilities of the device and serve as software examples for programming the device. Refer to the documentation that came with the option for additional information.

Configuration Conflicts

The resources used by your server consist of IRQs, DMA channels, I/O ports (for example, serial and parallel), and memory. This information is useful when a resource configuration conflict occurs.

Conflicts in the configuration occur if:

- An installed device requires the same resource as another device. (For example, if you install an ISA network adapter and an EISA network adapter, both requesting *IRQ 5*, you can configure only one of the adapters.)
- A device resource is changed (for example, changing jumper settings).
- A device function is changed (for example, assigning *COM 1* to two different serial ports).
- An installed software program requires the same resource as a hardware device (for example, a device driver that uses the address required by the SVGA video controller).

The steps required to resolve a configuration error depends on the number and variety of hardware devices and software programs that you install. If a hardware configuration error is detected, a *configuration error* message appears after the server completes POST, but before the operating system starts. You can bypass the error or start one of the configuration utility programs. Press **Esc** to bypass the error and load the operating system. Press **F1** to start the Setup program. To start the SCU program, insert the diskette in the diskette drive and press **F1**. If the System Configuration Utility program resides on a hard disk drive, type SCU from a DOS prompt for the appropriate drive.

Configuration Conflicts

The Setup program and the System Configuration Utility program only configure the system hardware. These programs do not consider the requirements of the operating system or the application programs. See “Resolving Software Configuration Conflicts” on page 63 for additional information.

Resolving Hardware Configuration Conflicts

Use the following information to help resolve hardware configuration conflicts:

1. Run the System Configuration Utility program to view and change the resources that are used by the system board functions. Record the current settings before making any changes. (See “Starting the System Configuration Utility Program” on page 47 for instructions.)
2. Determine which adapter or device is causing the error. Use the Change Configuration Settings selection in the System Configuration Utility program to update system configuration information (.CFG) files. (See “Step 3: Change Configuration Settings” on page 49 for instructions.)
3. Change configuration resource allocations. Use the Change Configuration Settings selection in the System Configuration Utility program to view or change system-board resource allocations. (See “Step 3: Change Configuration Settings” on page 49 for instructions.)
4. Change adapter jumpers or switches. Jumpers and switches define the system resources that a device can use. If the settings are incorrect or set to use a resource that cannot be shared, a conflict occurs and the device remains deactivated. Use the Switch/Jumper Settings selection in the System Configuration Utility program to verify switches (see “Step 5: Switch/Jumper Settings” on page 50). If a change is required, see “Changing Jumper and Switch Settings” on page 289. In addition, read the documentation that came with the device.
5. Change system board jumpers or switches. If a change is required, see “Setting System-Board Configuration Switches” on page 299.

Configuration Conflicts

6. Remove the device or adapter. Some configurations are not supported (for example, you cannot operate the server with two ISA SVGA adapters installed). If you must remove an adapter, see “Removing Adapters” on page 151.

Resolving Software Configuration Conflicts

The memory-address space and IRQs used by some hardware options might conflict with addresses defined for use through application programs.

If there is a conflict, one or more of the following conditions might exist:

- The system cannot load the operating system.
- The system does not work.
- An application program does not operate, or it returns an error.
- Screen messages indicate a conflict exists.

You can resolve conflicts by changing either the software or the hardware configuration.

Note: Use the Change Configuration Settings selection in the System Configuration Utility program to view the addresses used by the system board functions and adapters. (See “Step 3: Change Configuration Settings” on page 49 for instructions.)

Changing the Software Configuration

If a device driver is causing a memory-address conflict, refer to your operating-system documentation or the documentation supplied with the device drivers.

SCSISelect Utility Program

Using the SCSISelect Utility Program

The SCSI-2 controllers have built-in menu-driven configuration utility programs that allow you to view and change SCSI settings.

You can use the SCSISelect Utility programs to:

- Change the default values
- Verify and change configuration conflicts
- Format a new SCSI hard disk

Starting the SCSISelect Utility Program

You can access this program when you start the server. During system startup, the IBM PC Server screen appears briefly and then disappears. The following prompt is displayed:

```
<<< Press <CTRL><A> for SCSISelect™ Utility! >>>
```

Press **Ctrl+A** when you see this prompt.

Use the Up Arrow (↑) or Down Arrow (↓) key to move the highlight bar to the various menu choices. Press **Esc** to return to the previous menu. Also, you can press **F5** to switch between color and monochrome modes (if your monitor permits). To change the current settings of the items displayed in the menus, follow the directions on the screen.

SCSISelect Utility Program Options

The following options appear on the SCSISelect Utility program menu:

- Configure/View Host Adapter Settings
- SCSI Disk Utilities

SCSISelect Utility Program

Configure/View Host Adapter Settings

To view or change the SCSI-2 controller settings, select **Configure/View Host Adapter Settings** and follow the directions on the screen. Refer to the following table for information on the choices on this menu.

SCSI Controller Settings	Description
Host Adapter SCSI ID	Changes the SCSI ID of the SCSI-2 controller from its default value of 7.
SCSI Parity Checking	Enables or disables parity checking on the SCSI-2 controller. The default value is <i>Enabled</i> .
Host Adapter SCSI Termination	Configures SCSI-2 controller termination. The default value is <i>Low On / High On</i> .
SCSI Device Configuration	Configures SCSI device parameters. Before you can make updates, you must know the ID of the device whose parameters you want to configure.
Advanced Configuration Options	Allows you to view or change the settings for advanced configuration options. These include: <ul style="list-style-type: none">• Startable CD-ROM drive. When set to <i>On</i>, the CD-ROM drive can be included as a startup device (see "Setting the Drive-Startup Sequence" on page 56 for more information). For this option to take effect, you must insert a startable CD in the CD-ROM drive.• Init13 Extensions. When set to <i>On</i>, these BIOS extensions are enabled.

SCSI Disk Utilities

To see the IDs assigned to each SCSI device or to format a drive connected to the built-in SCSI controllers, select **SCSI Disk Utilities** from the SCSISelect Utility program menu.

To use the utility program, select a drive from the list. Read the screens carefully before making a selection.

SCSISelect Utility Program

Using the Low-Level Format Program

If your server did not come with a RAID adapter preinstalled, you can format your hard disks using the *Low-Level Format* feature of the SCSISelect Utility program.

Depending on the hard disk capacity, the Low-Level Format program could take up to two hours.

Note: If your server came with a RAID adapter preinstalled, refer to the RAID adapter documentation for instructions to format your hard disk drives.

When To Use the Low-Level Format Program

Use the Low-Level Format program:

- When you are installing software that requires a low-level format
- When you get recurring messages from the diagnostic tests directing you to run the Low-Level Format program on the hard disk
- As a last resort before replacing a failing hard disk drive

Note: For information about backing up all of your files, see your operating-system documentation.

Starting the Low-Level Format Program

20 Attention: The low-level format programs provided with your server erase all data from your hard disk drive. Before you run a low-level format program, be sure to back up your data.

Note: Refer to the RAID adapter documentation for instructions for performing a low-level format on a hard disk drive attached to the PCI RAID adapter.

1. If the hard disk is working, make a backup copy of all the files and programs on the hard disk.
2. Select **SCSI Disk Utilities**.
3. Select the disk drive that you want to format; then, press **Enter**.

Configuring the 100/10 PCI Ethernet Adapter

4. Select **Format disk**; then, follow the instructions on the screen.

Note: Hard disks normally contain more tracks than their stated capacity (to allow for defective tracks). A message appears on the screen if the defect limit is reached. If this happens, have the system serviced.

5. To install an operating system, refer to your operating-system documentation. Also, follow the instructions in Chapter 2, “Installing Your Software” on page 27.

Configuring the 100/10 PCI Ethernet Adapter

Some PC Server 704 models come with a preinstalled 100/10 PCI Ethernet adapter. This adapter contains three LEDs visible from the back of the server that show the status of the connection, monitor read and write activity, and indicate a 100 Mbps connection. See “Troubleshooting the 100/10 PCI Ethernet Adapter” on page 253 for more information.

During POST, your server automatically configures your Ethernet adapter.

The Ethernet Configuration and Drivers program comes with your server. The program automatically installs necessary Novell NetWare 3.x drivers, tests the adapter, and displays a help file with installation instructions for unsupported network operating-system drivers.

Note: You must use Category 5 cabling when operating the Ethernet adapter at 100 Mbps.

The Ethernet Configuration and Drivers program supports the following operating system:

Windows NT Server 3.51

Use the Ethernet Configuration and Drivers program each time you install an adapter. You can also use the program to isolate problems during troubleshooting.

Configuring the 100/10 PCI Ethernet Adapter

Installing Multiple Adapters

Repeat the configuration procedures for each adapter that you want to install. Even though the Ethernet Configuration and Drivers program can detect all the PCI adapters in your server, you must perform the installation process before you can use the adapter.

Configuring for Windows NT Server 3.51

To configure the Ethernet adapter for the Windows NT Server 3.51 operating system:

1. Double-click the Network icon in the Control Panel.
2. Click the **Add Adapter** button.
3. Scroll to the end of the list and select **<Other> Requires disk from manufacturer**.
4. Insert the Ethernet Configuration and Drivers diskette in drive A and click **OK**.

The Ethernet Configuration and Drivers program automatically scans server resources and determines what resources were assigned to the adapter.

5. Click **Test**.

If you just added the adapter, the network driver will not be active and the diagnostics will test the adapter and its connection to the network.

If you are testing an adapter that has already been installed, the network driver will probably be active and the diagnostics will test the driver. This diagnostic tracks the actual network activity of the driver.

6. Click **OK** to accept the configuration.
7. Click **OK** in the Network Settings dialog and, when prompted, restart Windows NT Server 3.51.

Configuring the 100/10 PCI Ethernet Adapter

Troubleshooting

- Make sure that you are using the drivers that come with this adapter.
- Make sure that the driver is loaded and the protocols are bound. See the Network Bindings dialog box in Windows NT Server 3.51 to verify this.
- Make sure that you are using Category 5 cabling when operating at 100 Mbps.
- Test the adapter using the instructions in “Configuring for Windows NT Server 3.51” on page 68.
- Check with your LAN administrator.

Configuring for Other Operating Systems

Refer to the help files on the Ethernet Configuration and Drivers program for instructions on configuring for other operating systems.

To view the help files, insert the Ethernet Configuration and Drivers diskette in drive A, and switch to that drive. At the operating-system prompt, type `SETUP \README`. Then, press **Enter**.

Select **Installing 100/10 PCI Ethernet adapter drivers**.

Duplexing

Duplexing is a performance option that lets you choose how the adapter sends and receives packets over the network.

There are three duplex modes:

- | | |
|-----------------------|--|
| Full duplex | The adapter sends and receives packets at the same time, increasing adapter performance. This mode requires a full-duplex hub. |
| Half duplex | The adapter performs one operation at a time: it either sends or receives packets. |
| Auto-negotiate | The adapter negotiates with the hub on how to send and receive packets, through either full or half duplex mode. |

Configuring the 100/10 PCI Ethernet Adapter

Configuring for Full-Duplex

If you have a hub that does not support auto-negotiation, manually configure the adapter for full-duplex support. Configuration is specific to the driver that you are loading for your network operating system. Refer to Table 1.

Note: You must set the adapter speed when configuring for full-duplex support. Do not leave the speed set to auto-negotiate.

Driver	How To Set Duplex Mode
Windows NT Server 3.51	Define the Setup program: <ol style="list-style-type: none">1. Click Network on the Control Panel2. Click Configure. The Setup program runs.3. Click Change. Set the speed to 100 Mbps or 10 Mbps.4. Click Advanced. Set Duplex to Full.
Other Network Operating Systems	See the README file. To view the README files, insert the Ethernet Configuration and Drivers diskette, and type SETUP \README at the DOS prompt. Then, press Enter .

Table 1. Setting Duplex Mode

Fast Ethernet Cabling

The 100BASE-TX specifications support 100 Mbps transmission over two or four pairs of twisted-pair Ethernet cabling. In two pair cabling, one pair of cables is used for transmission, and the second is used for reception and collision detection.

Because a 125 MHz frequency is used on the wire, 100BASE-TX uses Category 5 cabling.

Segment lengths are limited to 100 meters (328 feet) with 100BASE-TX for signal timing reasons.

Fast Ethernet Hubs

New hubs are available to support a variety of Fast Ethernet LAN configurations. These hubs can be divided into two basic types: shared and switched. 100/10 PCI Ethernet adapters can be used with either type of hub for 10 Mbps or 100 Mbps operations.

Configuring Other Network Adapters

Shared Hubs

In a shared network environment, servers are connected to hubs. A repeater is built into each port of the hub. All ports of the repeater hub share a fixed amount of bandwidth, or data capacity. A 100 Mbps shared hub means that all nodes on the hub must share the 100 Mbps or bandwidth. As stations are added to the hub, the effective bandwidth available to any individual station becomes smaller.

All nodes must operate at the same speed, either 10 Mbps or 100 Mbps. Fast Ethernet repeaters provide 100 Mbps of available bandwidth, ten times more than what is available with a 10 BASE-T repeater.

Repeaters use a well-established, uncomplicated design, making them highly cost-effective for connecting workstations in a workgroup.

Switched Hubs

In a switched network environment, each port uses a fixed, dedicated amount of bandwidth. Network bandwidth is not shared among all stations. Each new station added to the hub receives access to the full bandwidth of the network. Data is sent only to the port that leads to the correct workstation.

If a new workstation is added to a 100 Mbps switching hub, the new workstation receives its own dedicated, 100 Mbps link that does not affect the 100 Mbps bandwidth of other workstations. Switching hubs can effectively increase the overall bandwidth available on the network, significantly improving performance.

Configuring Other Network Adapters

If your server came with a preinstalled network adapter, or if you install this type of adapter, you must configure it as described in your network-adapter documentation. For troubleshooting information, see “Troubleshooting Other Network Adapters” on page 256.

Configuring Other Network Adapters

Chapter 4. Installing Options

This chapter provides instructions to help you add options to your server. Some option-removal instructions are provided, in case you need to remove one option to install another. If you have several internal options to install, these instructions enable you to add them all at one time.

This chapter contains:

Before You Begin	74
Electrical Safety	75
Handling Static-Sensitive Devices	77
Preparing to Install Options	78
Removing the Side Covers	81
Removing the Top Cover	83
Installing a Microprocessor	86
Removing a Microprocessor	103
Installing Memory-Module Kits	113
Removing Memory-Module Kits	124
Installing Video Memory	131
Replacing the Real-Time Clock	137
Installing Adapters	143
Considerations	145
Installation Procedure	146
Removing Adapters	151
Installing Internal Drives	156
Internal Drive Bays	157
SCSI Drives	159
Preinstallation Steps (All Bays)	163
Installing a 5.25-inch Removable-Media Drive	165
Installing a Drive in a Hot-Swap Bay	173
Removing Internal Drives	180
Removing a 5.25-Inch Removable-Media Drive	181
Removing a Hot-Swap Drive	188
Adding Power Supplies	194
Removing Power Supplies	197
Security Procedures	200
Completing the Installation	201
Installing the Top Cover	201
Installing the Side Covers	203
Connecting External Options	207
Connecting External SCSI Devices	207

Before You Begin

- If your server came with a RAID adapter preinstalled, you must configure your disk arrays after you install hard disk drives, as described in “Installing Internal Drives” on page 156. In this case, follow the instructions in the RAID adapter documentation after installing the drives. Return here to install your remaining options, if applicable. See Chapter 3, “Configuring Your Server” on page 39 for additional details about configuration, and a description of your server utility programs.
- Become familiar with the safety and handling guidelines specified under “Safety Information” on page v, “Electrical Safety” on page 75 (or your safety booklet), and “Handling Static-Sensitive Devices” on page 77. These guidelines will help you work safely while working with your server or options.
- In addition, you will need the following items:
 - Antistatic wrist strap
 - Standard-tip screwdriver with .375- to .500-inch by .04-inch thick blade
 - Phillips screwdriver with a #1 bit
 - Phillips screwdriver with a #2 bit

Electrical Safety

For your safety, always do the following *before* removing the cover:

1. Turn off the server and any attached devices, such as printers, monitors, and external drives.
2. If you are in the United Kingdom and have a modem or fax machine attached to your server, you must disconnect the telephone line from the server *before* unplugging any power cords (also known as power cables). When reassembling your server, you must reconnect the telephone line *after* you plug in the power cords.
3. Unplug all the power cords from electrical outlets.
4. Disconnect all communication cables from external receptacles.
5. Disconnect all cables and power cords from the back of the server.

Note: Reconnect the cables or power cords only after you reassemble the server and put the covers back on.

4



CAUTION:

Never remove the cover on a power supply. Hazardous voltage, current, and energy levels are present inside the power supplies. There are no serviceable parts inside the power supplies. If you suspect a problem with a power supply, contact an IBM service technician.

Electrical Safety

11 Attention: For proper cooling and airflow, always install the chassis side and top covers before you turn on the server. If you operate the server without installing these covers, server components might become damaged.

13 Attention: For proper cooling and airflow, always install the internal support panel for the processor and memory boards before you install the chassis side and top covers and turn on the server. If you operate the server without installing this support panel, server components might become damaged.

15 Attention:

- a. When you install adapters, processor boards, or memory boards in the server, be sure that they are completely and correctly seated in the system-board connectors before you apply power. Incomplete insertion might cause damage to the system board or the adapters that you are installing.
- b. Make sure you orient the processor board correctly before pressing it into its connector. Failure to do so could damage the processor board or the connector on the system board.

Note: Be sure to select the correct connector on the system board when you are installing the processor and memory boards.

Handling Static-Sensitive Devices

10 Attention:

Electrostatic discharge (ESD) can damage hard disk drives, printed circuit boards, memory modules, and other server components. When you handle these static-sensitive components, observe the following precautions to avoid component damage:

- a. When you handle static-sensitive components, work at an ESD protected workstation. If an ESD protected workstation is not available, wear a static-protective wrist strap attached to any unpainted metal surface on your server.
- b. Handle static-sensitive components only by their edges. Never touch any exposed circuitry. After you remove them from their static-protective wrappers or from the server, place them component-side up on a grounded, static-free surface.
- c. Limit your movement. Movement can cause static electricity to build up around you.
- d. When you are installing a new option, touch the static-protective package containing the option to a metal expansion-slot screw or other unpainted metal surface on the server for at least 2 seconds. This reduces static electricity from the package and from your body.

Do not open the static-protective package that contains the option until you are instructed to do so. Whenever possible, remove the option from its static-protective wrapper; then, install the option directly into the server without setting the option down.
- e. Do not slide a static-sensitive option over any surface or set the option down on a metal surface.

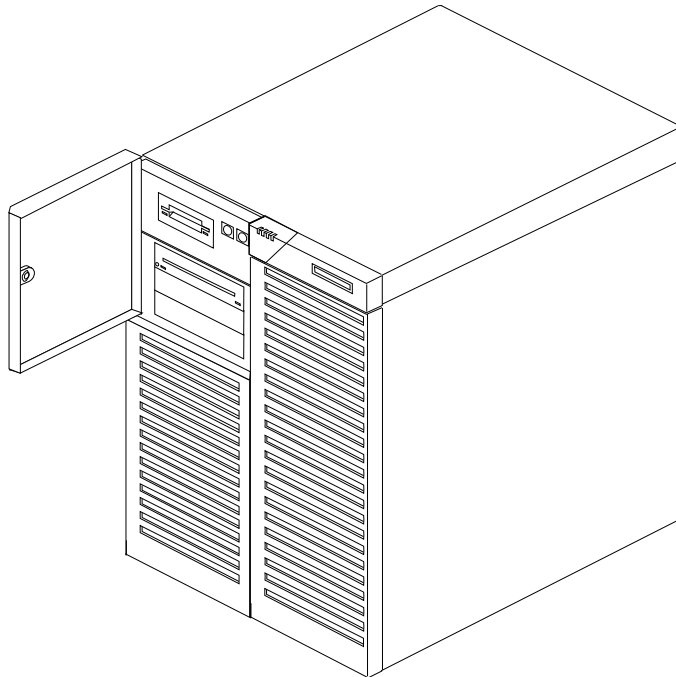
Preparing to Install Options

Preparing to Install Options

Before you begin:

Be sure you have read “Electrical Safety” on page 75 and “Handling Static-Sensitive Devices” on page 77 (or your safety booklet).

1. Unlock and open the door.



Preparing to Install Options

2. Remove all media (diskettes, CDs, optical discs, or tapes) from the drives; then, turn off the server and all attached options.

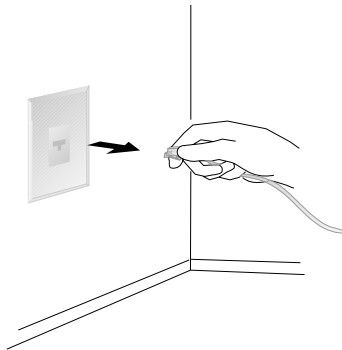
3



CAUTION:

The convex On/Off button on the front of the server does not turn off the electrical current supplied to the server. To remove all electrical current from the server, you must unplug all server and power supply power cords from the wall outlets.

3. If you have a modem or fax machine attached to the server, disconnect the telephone line from the wall outlet.

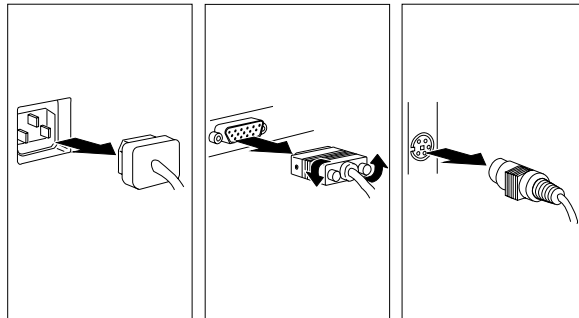


Preparing to Install Options

4. Unplug all power cords (cables) from electrical outlets.

Note the locations of the following; then, disconnect them from the back of the server:

- Power cords
- Monitor cable
- Keyboard cable
- Any other cables and cords



2



CAUTION:

Electrical current from power, telephone, and communication cables can be hazardous. To avoid personal injury or equipment damage, disconnect the attached power cords, telecommunications systems, networks, and modems before you open the server covers.

Removing the Side Covers

Removing the Side Covers

Before you begin:

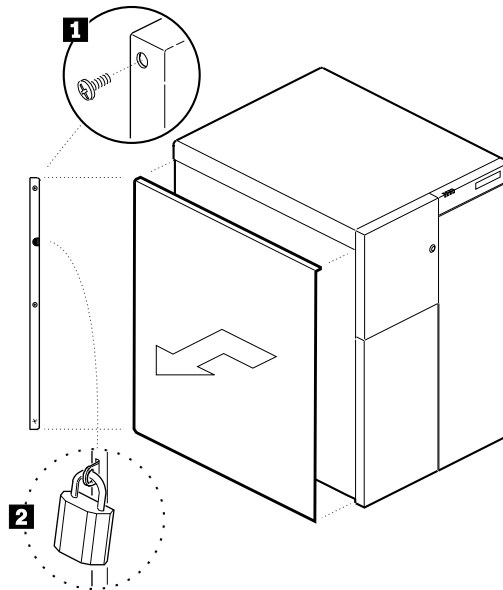
Be sure you have:

- Read “Electrical Safety” on page 75 and “Handling Static-Sensitive Devices” on page 77 (or your safety booklet).
- Turned off peripheral devices (see “Preparing to Install Options” on page 78).

You must remove both side covers before you can remove the top cover.

To remove either of the server side covers, do the following steps:

1. Unlock and remove any padlock **2** on the side cover.
2. Remove the three screws **1** from the back edge of the side cover. Save the screws to reuse when you reinstall the cover.



Removing the Side Covers

3. Grip the two built-in handles at the back edge of the cover.

12 Attention: Do not damage or displace the electromagnetic interference (EMI) gaskets mounted on the cover. Replace any damaged gaskets, or your server might not meet EMI requirements.

4. Pull firmly and evenly with both hands to slide the cover toward the back. The cover stops after about an inch.
5. Pull the cover out from the server toward you, to disengage the bottom and top rows of tabs from the notches in the chassis.
6. Set the cover aside.

11 Attention: For proper cooling and airflow, always replace the top and side covers before turning on the server. Operating the server with the covers removed might damage server components.

Removing the Top Cover

Before you begin:

Be sure you have:

- Read “Electrical Safety” on page 75 and “Handling Static-Sensitive Devices” on page 77 (or your safety booklet).
- Turned off peripheral devices (see “Preparing to Install Options” on page 78).
- Removed both of the side covers (see “Removing the Side Covers” on page 81).

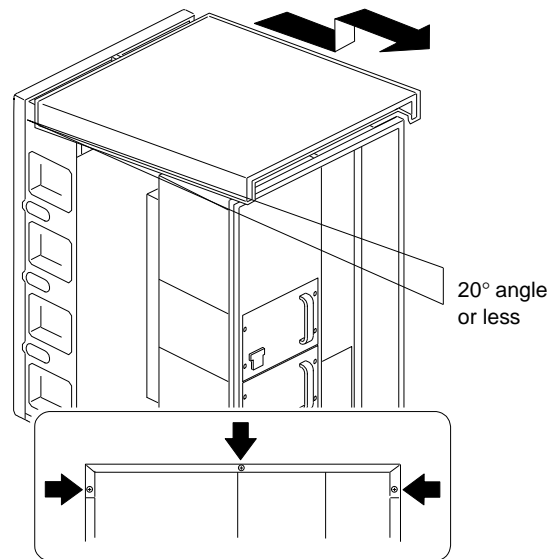
To remove the server top cover, do the following steps:

1. Remove the three retaining screws from the back edge of the top cover. Save the screws to reuse when you reinstall the cover.

12 Attention: Do not damage or displace the electromagnetic interference (EMI) gaskets mounted on the cover. Replace any damaged gaskets, or your server might not meet EMI requirements.

Removing the Top Cover

2. Lift the back of the cover up very slightly (to about a 20-degree angle). Avoid dislodging the EMI clips.



3. Slide the cover back and up from the chassis.
4. Set the cover aside.

Removing the Top Cover

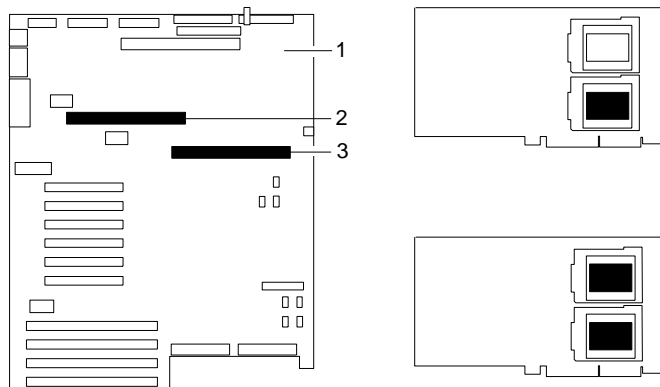
What to do next?

- Installing a microprocessor? — Go to “Installing a Microprocessor” on page 86.
- Removing a microprocessor? — Go to “Removing a Microprocessor” on page 103.
- Installing memory-module kits? — Go to “Installing Memory-Module Kits” on page 113.
- Removing memory-module kits? — Go to “Removing Memory-Module Kits” on page 124.
- Installing video memory? — Go to “Installing Video Memory” on page 131.
- Replacing the real-time clock? — Go to “Replacing the Real-Time Clock” on page 137.
- Installing an adapter? — Go to “Installing Adapters” on page 143.
- Removing an adapter? — Go to “Removing Adapters” on page 151.
- Installing an internal drive? — Go to “Installing Internal Drives” on page 156.
- Removing an internal drive? — Go to “Removing Internal Drives” on page 180.
- Installing a power supply? — Go to “Adding Power Supplies” on page 194.
- Removing a power supply? — Go to “Removing Power Supplies” on page 197.
- Installing or removing a security feature? — Go to “Security Procedures” on page 200.
- Installing an external option? — Go to “Connecting External Options” on page 207.

Installing a Microprocessor

Installing a Microprocessor

Your server comes with two processor boards. Some models come with one microprocessor on each processor board. Other models come with one microprocessor on one processor board. Your server supports a maximum of four microprocessors. The system board contains two processor-board connectors: one is primary; the other is secondary. You must maintain a processor board in each connector.



- 1** System board
- 2** Connector for secondary processor board
- 3** Connector for primary processor board

The two smaller illustrations on the right show the two microprocessor sockets on the processor board. The top right illustration shows a microprocessor in the bottom (shaded) socket. The bottom right illustration shows a microprocessor in both sockets (shaded areas).

Your PC Server 704 can operate as an SMP server. With SMP, certain operating systems and application programs can distribute the processing load between the microprocessors. This enhances performance for applications, such as database transactions, graphics or computer-aided design (CAD) programs, and modeling or simulation programs.

Installing a Microprocessor

Before you begin:

Be sure you have:

- Read “Electrical Safety” on page 75 and “Handling Static-Sensitive Devices” on page 77 (or your safety booklet).
- Removed the front and side covers (see “Preparing to Install Options” on page 78).
- Obtained the Processor Upgrade Option Kit.
- Obtained one of the following operating systems (optional) at the specified release level:
 - IBM OS/2 for Symmetrical Multiprocessing Version 2.11 (OS/2 2.11 for SMP) or later
 - Microsoft Windows NT Server 3.51 or later
- Located the documentation that comes with your server and operating system.

Notes:

1. The illustrations in this section might differ slightly from your hardware.
2. If you have installed OS/2 2.1 for SMP, you must add the statement `PSD=OS2APIC.PSD` to the `CONFIG.SYS` file, or reinstall OS/2 2.11 for SMP.
3. For the latest information about SMP operating systems supported by your PC Server 704:
 - In the U.S., call 1-800-772-2227.
 - In Canada, call 1-800-565-3344.
 - In all other countries, contact the IBM support organization that services your area, your IBM marketing representative, or your IBM reseller.
4. To order additional microprocessor options, contact your IBM reseller or IBM marketing representative.
5. To avoid damage and ensure proper server operation when you install a new or additional microprocessor, use the same speed

Installing a Microprocessor

and voltage requirements as those of the currently installed microprocessor. Microprocessor internal and external clock frequencies must be identical.

17 Attention:

- a. To avoid damaging the microprocessor during installation, make sure that the socket latch is fully opened to the vertical position before you insert the microprocessor.
- b. The microprocessor heat sink clips are under tension. Be careful when installing or removing the microprocessor assembly. Do not let the clips scrape against the processor board, sockets, or other components.
- c. Reduce the risk of electrostatic discharge (ESD) damage to the microprocessor and server boards by following the instructions in Notice Number 10.

7b



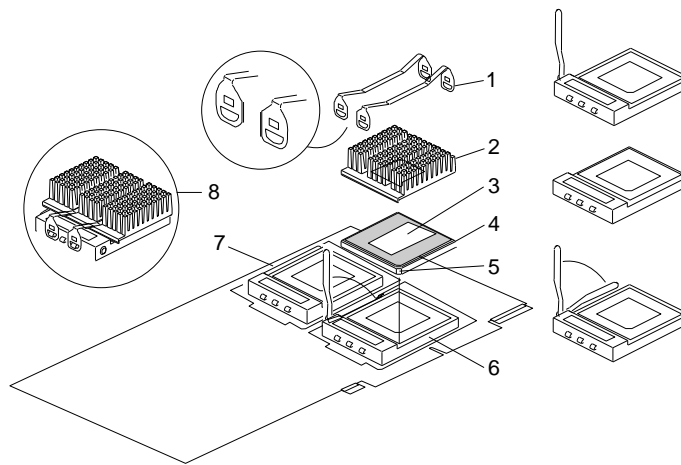
CAUTION:

If your server has been operating, the heat sinks on the installed microprocessors will be hot. You can avoid getting a burn while removing an existing microprocessor or installing an additional one, if you let the components cool for 10 minutes before continuing with the procedures described in this section.

Note: Do not touch or bend the exposed pins on a microprocessor.

Installing a Microprocessor

An example microprocessor/heat-sink assembly might contain the following components:



- 1** Heat sink retention clips (two)
- 2** Heat sink
- 3** Thermal grease
- 4** Microprocessor
- 5** Pin 1 location
- 6** Lower processor socket, with lever (latch) in open position
- 7** Upper processor socket, empty, with lever in closed, locked position
- 8** Completed microprocessor/heat-sink assembly

You will work with these components while performing the steps in this section.

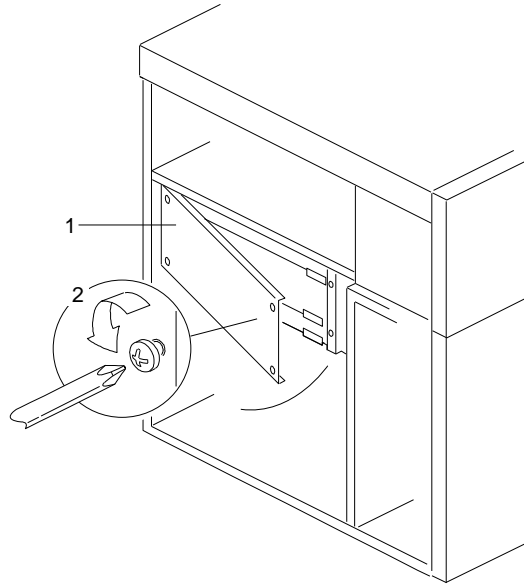
If you want to add a second microprocessor to a processor board, you must first remove that processor board from its connector on the system board. To install a microprocessor, do the following steps:

1. Before you can access the boards inside the server, you must remove the metal board-support panel that holds them in place.

Installing a Microprocessor

Remove the board-support panel:

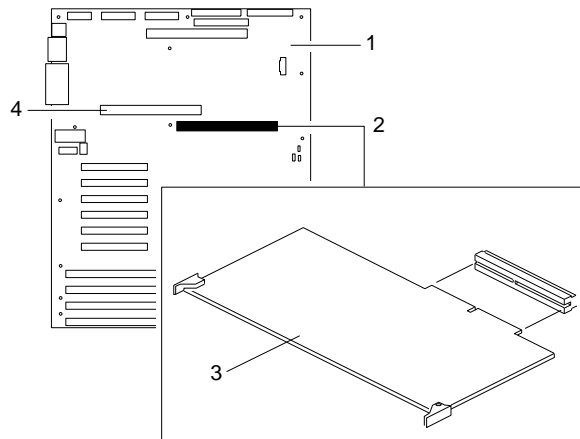
- a. Remove the left side panel **1**.
- b. Remove the four screws **2** from the right edge of the board-support panel. Save the screws for later use.



- c. Open the board-support panel.
- d. Remove the board-support panel by pulling the back edge away from the three slots at the back of the chassis.
- e. Store the panel until you are ready to reinstall it.

Installing a Microprocessor

2. Select the processor board that you will remove. Locate the appropriate processor-board connector (**2** or **4**) on the system board **1** . The primary processor-board connector is located at **2** . The secondary processor-board connector is located at **4** .

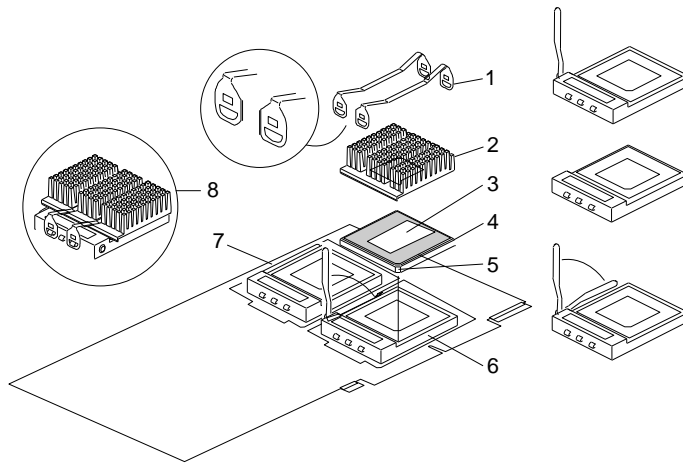


3. Disconnect the processor board **3** from the system board by rotating the processor-board corner handles outward to a 90-degree angle from the processor board.
4. Grasp the processor-board corner handles and carefully slide the processor board out of the slot.
Note: Avoid touching the components and gold-edge connectors on the processor board.
5. Place the processor board on a flat, static-protective surface.

Installing a Microprocessor

6. Locate the primary and secondary microprocessor sockets on the processor boards, as shown in the following illustration. Your server comes with a microprocessor preinstalled in the primary socket. Therefore, you will install the new microprocessor in the secondary socket (also known as an upgrade socket).

Note: Both microprocessors on a processor board must have the same speed to ensure proper server operation.



- 1** Heat sink retention clips (two)
- 2** Heat sink
- 3** Thermal grease
- 4** Microprocessor
- 5** Pin 1 location
- 6** Lower processor socket, with lever (latch) in open position
- 7** Upper processor socket, empty, with lever in closed, locked position
- 8** Completed microprocessor/heat-sink assembly

7. While you are handling boards and microprocessors, place them on a grounded, static-protective or conductive-foam surface.
8. Lift the lever on the secondary socket. Verify that the socket lever is completely opened to the vertical position.

Installing a Microprocessor

9. Remove the microprocessor from the static-protective bag, without touching or bending the pins. Place it pin-side down on a grounded, static-protective or conductive-foam surface.
10. Open the thermal grease packet. Place the contents of the packet on top of the microprocessor.
11. Spread the grease evenly over the surface of the microprocessor. Ensure that the grease does not extend beyond the microprocessor edges.
12. Discard the empty thermal grease packet.
13. Align the heat sink above the microprocessor.
14. Place the flat side of the heat sink on the layer of grease that covers the microprocessor.

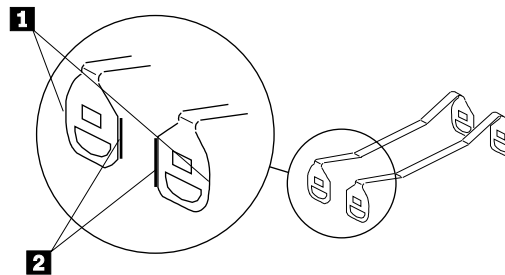
Note: When you move the microprocessor/heat sink assembly to the socket on the processor board, hold the assembly by the sides.

15. Center the microprocessor/heat sink assembly over the socket.
16. Carefully lower the microprocessor/heat sink assembly into the socket. Ensure that the pins on the microprocessor/heat sink assembly align with the holes in the socket. Do not bend the pins.

Note: Do not force the pins into the socket. If you feel any resistance, remove the microprocessor/heat sink assembly and check the orientation and alignment.

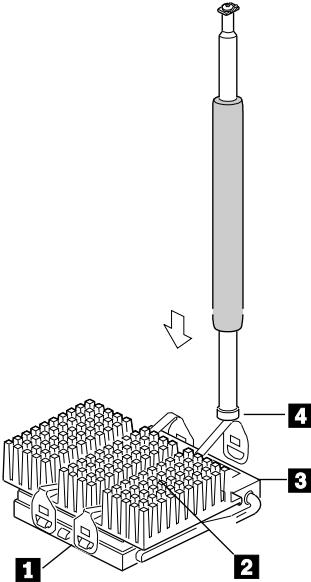
Installing a Microprocessor

17. Move the lever forward and downward until it snaps into the fully closed (locked) position.
18. Install two heat-sink clips to hold the microprocessor/heat sink assembly in the socket:
 - a. Each heat-sink clip has a rounded edge **1** and a flat edge **2**. Position the two heat-sink clips straight across the heat sink so that the flat edges **2** at the ends of the clips face each other.



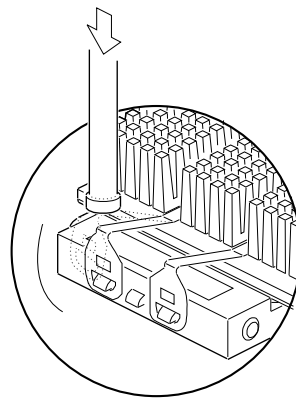
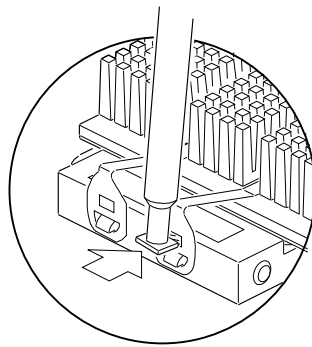
Installing a Microprocessor

- b. The following illustration shows the microprocessor/heat sink assembly, completely attached, except for one end of one clip. The socket **1** contains the microprocessor **3**. An installation tool **4** is being used to press the remaining end of one clip over the heat sink **2**.



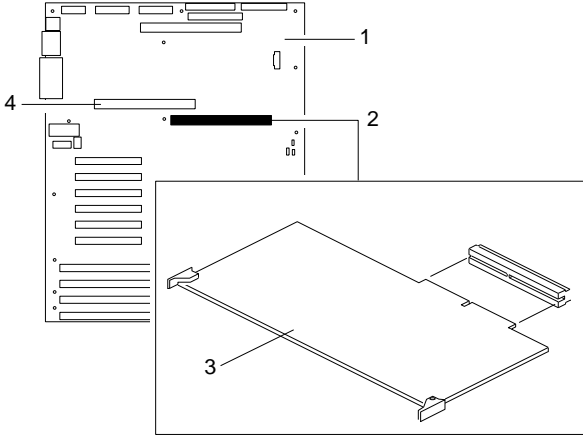
Installing a Microprocessor

Connect each end of each clip to the matching tab (flange) on the socket. Then, press the clips down until they are secure on both sides of the socket.



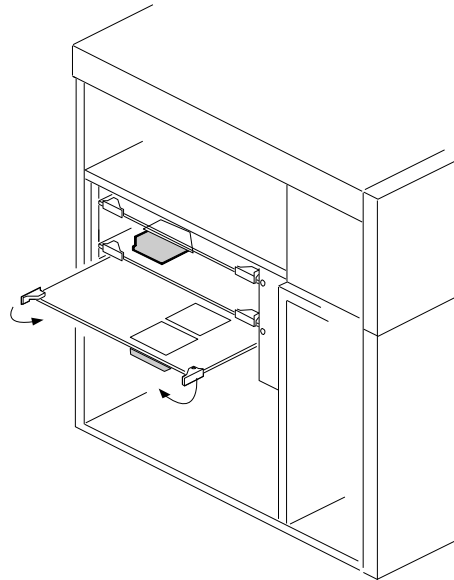
Installing a Microprocessor

- 19. Reinstall the processor board **3** in the server:
 - a. Locate the appropriate processor-board connector (**2** or **4**) on the system board **1**. Install the first processor board in the primary connector **2**. Install the second processor board in the secondary connector **4**.



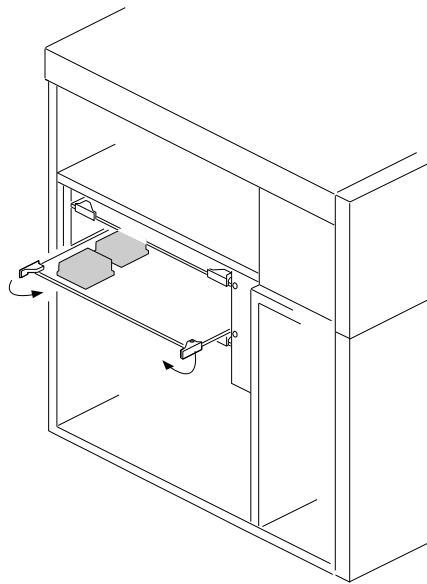
Installing a Microprocessor

- b. Grasp the processor board by the corners with the handles. Insert the primary processor board, component-side down.



Installing a Microprocessor

Insert the secondary processor board, component-side up.



- c. Slide the processor board into the appropriate slot guides on the system board.
- d. Press the processor board carefully but firmly into the system-board connector.
- e. Rotate the processor-board handles to the closed position, until the handles are aligned with the front edge of the processor board.

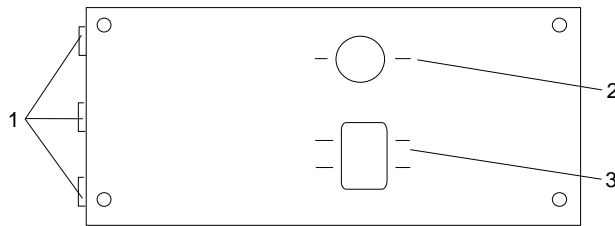
15 Attention:

- a. When you install adapters, processor boards, or memory boards in the server, be sure that they are completely and correctly seated in the system-board connectors before you apply power. Incomplete insertion might cause damage to the system board or the adapters that you are installing.
- b. Make sure you orient the processor board correctly before pressing it into its connector. Failure to do so

Installing a Microprocessor

could damage the processor board or the connector on the system board.

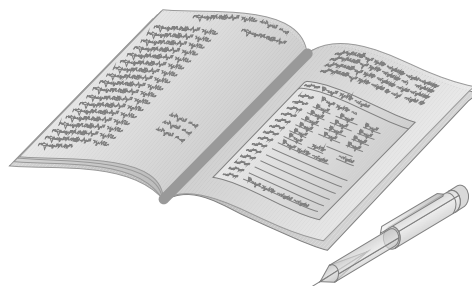
20. Reinstall the board-support panel:
 - a. Align the support panel so that the three tabs **1** at the back left edge of the panel fit into the three chassis slots.
 - b. Close the panel. Check to make sure that the boards in the slots behind the panel align with the scribe marks on the panel. Use the scribe marks at **2** to check the alignment of the memory board. Use the scribe marks at **3** to check the alignment of the processor boards.



- c. Secure the panel with the four screws that you removed in step 1b on page 90.
- d. Reinstall the exterior side panel.

Installing a Microprocessor

21. If you have no other options to install, replace the cover on the server (see “Completing the Installation” on page 201) and reconnect the cables and power cord (see step 7 on page 205).
22. Because you installed a new microprocessor in your server, you might want to upgrade your operating system. You must update your server configuration.
 - a. Run the Setup program. See Chapter 3, “Configuring Your Server” on page 39 for instructions.
 - b. Install one of the operating systems that is listed at the beginning of this section. Follow the instructions in Chapter 2, “Installing Your Software” on page 27 and your operating-system documentation. Also, review the operating-system information in your *SCSI Software User's Guide*.
 - c. If applicable, record your updated configuration information in the appropriate tables in “Installed Device Records” on page 280. Then, return here to determine your next step.



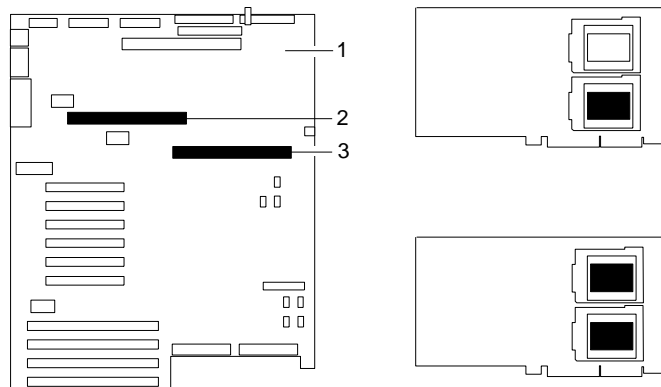
Installing a Microprocessor

What to do next?

- Removing a microprocessor? — Go to “Removing a Microprocessor” on page 103.
- Installing memory-module kits? — Go to “Installing Memory-Module Kits” on page 113.
- Removing memory-module kits? — Go to “Removing Memory-Module Kits” on page 124.
- Installing video memory? — Go to “Installing Video Memory” on page 131.
- Replacing the real-time clock? — Go to “Replacing the Real-Time Clock” on page 137.
- Installing an adapter? — Go to “Installing Adapters” on page 143.
- Removing an adapter? — Go to “Removing Adapters” on page 151.
- Installing an internal drive? — Go to “Installing Internal Drives” on page 156.
- Removing an internal drive? — Go to “Removing Internal Drives” on page 180.
- Installing a power supply? — Go to “Adding Power Supplies” on page 194.
- Removing a power supply? — Go to “Removing Power Supplies” on page 197.
- Installing or removing a security feature? — Go to “Security Procedures” on page 200.
- No internal devices to install or remove? — Go to “Completing the Installation” on page 201.
- Installing an external option? — Go to “Connecting External Options” on page 207.

Removing a Microprocessor

Your server comes with two processor boards. Some models come with one microprocessor on each processor board. Other models come with one microprocessor on one processor board. Your server supports a maximum of four microprocessors. The system board contains two processor-board connectors: one is primary; the other is secondary. You must maintain a processor board in each connector.



- 1** System board
- 2** Connector for secondary processor board
- 3** Connector for primary processor board

The two smaller illustrations on the right show the two microprocessor sockets on the processor board. The top right illustration shows a microprocessor in the bottom (shaded) socket. The bottom right illustration shows a microprocessor in both sockets (shaded areas).

Notes:

1. One common reason for removing a microprocessor is to install an upgrade (faster) device. A faster microprocessor generates more heat, and thus requires a larger heat sink. Do not attempt to reuse an existing heat sink. Always install the heat sink provided in your IBM Processor Upgrade package.

Removing a Microprocessor

2. Avoid touching the components and gold-edge connectors on the processor board.
3. Do not touch or bend the exposed pins on a microprocessor.

17 Attention:

- a. To avoid damaging the microprocessor during installation, make sure that the socket latch is fully opened to the vertical position before you insert the microprocessor.
- b. The microprocessor heat sink clips are under tension. Be careful when installing or removing the microprocessor assembly. Do not let the clips scrape against the processor board, sockets, or other components.
- c. Reduce the risk of electrostatic discharge (ESD) damage to the microprocessor and server boards by following the instructions in Notice Number 10.

7b



CAUTION:

If your server has been operating, the heat sinks on the installed microprocessors will be hot. You can avoid getting a burn while removing an existing microprocessor or installing an additional one, if you let the components cool for 10 minutes before continuing with the procedures described in this section.

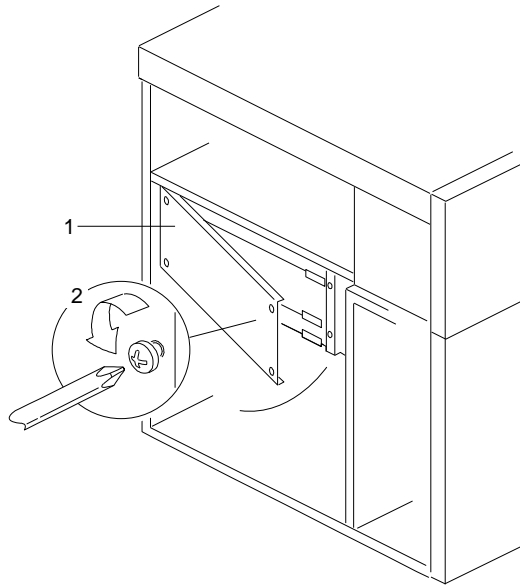
Removing a Microprocessor

If you want to remove a microprocessor from a processor board, you must remove that processor board from its connector on the system board. To remove a microprocessor, do the following steps:

1. Before you can access the boards inside the server, you must remove the metal board-support panel that holds them in place.

Remove the board-support panel:

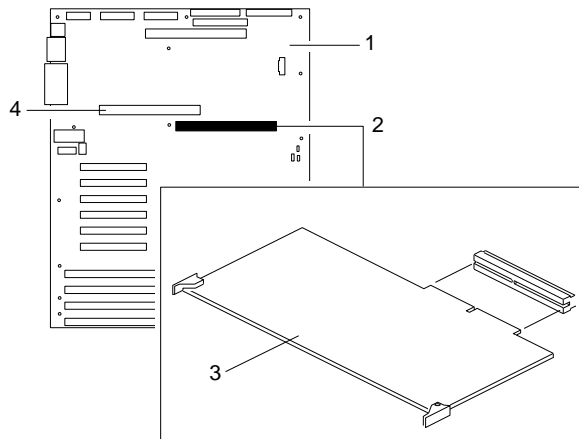
- a. Remove the left side panel **1**.
- b. Remove the four screws **2** from the right edge of the board-support panel. Save the screws for later use.



- c. Open the board-support panel.
- d. Remove the board-support panel by pulling the back edge away from the three slots at the back of the chassis.
- e. Store the panel until you are ready to reinstall it.

Removing a Microprocessor

2. Select the processor board that you will remove. Locate the appropriate processor-board connector (**2** or **4**) on the system board **1**. The primary processor-board connector is located at **2**. The secondary processor-board connector is located at **4**.



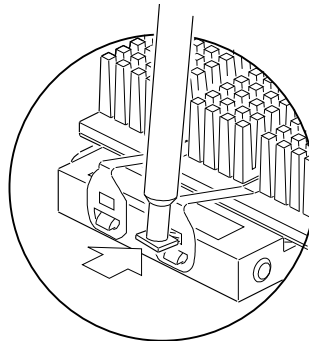
3. Disconnect the processor board **3** from the system board by rotating the processor-board corner handles outward to a 90-degree angle from the processor board.
4. Grasp the processor-board corner handles and carefully slide the processor board out of the slot.
5. Place the processor board on a flat, static-protective surface.

Removing a Microprocessor

6. Remove the two clips that hold the heat sink and microprocessor in place:

Note: When you remove the clips, avoid scraping them against the system-board components.

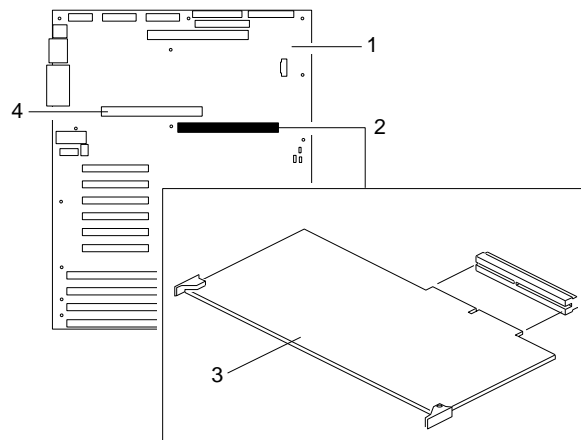
- a. Insert a small, flat-blade screwdriver into the slot on the end of one clip.
- b. Release the clip by pushing the clip outward with the blade of the screwdriver.



- c. While moving the clip off the socket, slide the clip up and away from the heat sink and microprocessor.
 - d. Repeat steps 6a through 6c for the other clip.
 - e. After you remove these two clips, the heat sink will slide off.
7. Press the microprocessor socket lever down slightly and outward until it pulls up freely. Lift the lever until it stands straight up.
 8. Grip opposite sides of the microprocessor and lift it out, without touching or bending the pins.
 9. Wrap the microprocessor in conductive foam and store it in a static-protective bag.
 10. Press the microprocessor socket lever down until it snaps into the locked position.

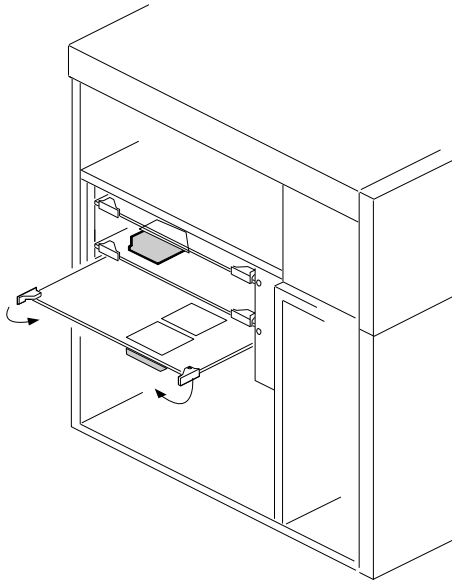
Removing a Microprocessor

11. If you are installing a faster microprocessor, go to “Installing a Microprocessor” on page 86. Otherwise, continue with the next step.
12. Reinstall the processor board **3** in the server:
 - a. Locate the appropriate processor-board connector (**2** or **4**) on the system board **1**. Install the first processor board in the primary connector **2**. Install the second processor board in the secondary connector **4**.



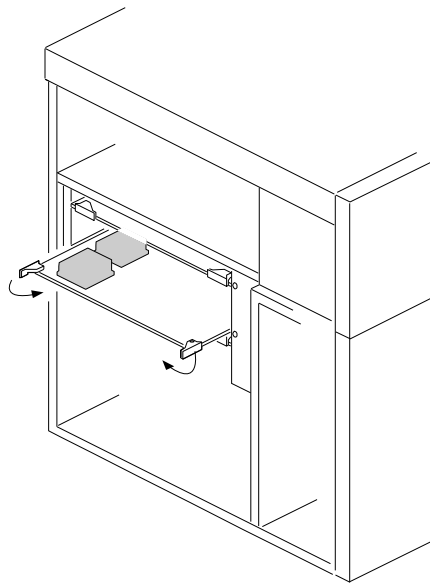
Removing a Microprocessor

- b. Grasp the processor board by the corners with the handles. Insert the primary processor board, component-side down.



Removing a Microprocessor

Insert the secondary processor board, component-side up.



- c. Slide the processor board into the appropriate slot guides on the system board.
- d. Press the processor board carefully but firmly into the system-board connector.
- e. Rotate the processor-board handles to the closed position, until the handles are aligned with the front edge of the processor board.

15 Attention:

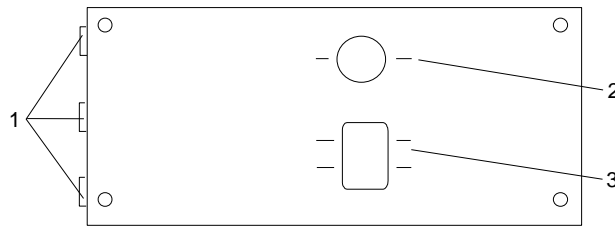
a. When you install adapters, processor boards, or memory boards in the server, be sure that they are completely and correctly seated in the system-board connectors before you apply power. Incomplete insertion might cause damage to the system board or the adapters that you are installing.

b. Make sure you orient the processor board correctly before pressing it into its connector. Failure to do so

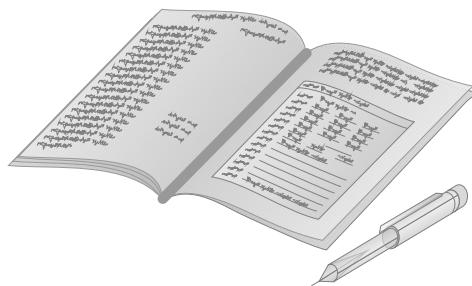
Removing a Microprocessor

could damage the processor board or the connector on the system board.

13. Reinstall the board-support panel:
 - a. Align the support panel so that the three tabs **1** at the back left edge of the panel fit into the three chassis slots.
 - b. Close the panel. Check to make sure that the boards in the slots behind the panel align with the scribe marks on the panel. Use the scribe marks at **2** to check the alignment of the memory board. Use the scribe marks at **3** to check the alignment of the processor boards.



- c. Secure the panel with the four screws that you removed in step 1b on page 105.
 - d. Reinstall the exterior side panel.
14. If applicable, record your updated configuration information in the appropriate tables in “Installed Device Records” on page 280. Then, return here to determine your next step.



Removing a Microprocessor

What to do next?

- Installing a microprocessor? — Go to “Installing a Microprocessor” on page 86.
- Installing memory-module kits? — Go to “Installing Memory-Module Kits” on page 113.
- Removing memory-module kits? — Go to “Removing Memory-Module Kits” on page 124.
- Installing video memory? — Go to “Installing Video Memory” on page 131.
- Replacing the real-time clock? — Go to “Replacing the Real-Time Clock” on page 137.
- Installing an adapter? — Go to “Installing Adapters” on page 143.
- Removing an adapter? — Go to “Removing Adapters” on page 151.
- Installing an internal drive? — Go to “Installing Internal Drives” on page 156.
- Removing an internal drive? — Go to “Removing Internal Drives” on page 180.
- Installing a power supply? — Go to “Adding Power Supplies” on page 194.
- Removing a power supply? — Go to “Removing Power Supplies” on page 197.
- Installing or removing a security feature? — Go to “Security Procedures” on page 200.
- No internal devices to install or remove? — Go to “Completing the Installation” on page 201.
- Installing an external option? — Go to “Connecting External Options” on page 207.

Installing Memory-Module Kits

Adding memory to your server is an easy way to make programs run faster. You can increase the amount of memory in your server by installing options called *memory-module kits*. Your server uses 72-pin, parity, single-inline memory modules (SIMMs).

You install memory-module kits into connectors on a memory board inside your server. The memory board contains two *banks* (1 and 2), arranged in 16 SIMM sockets. To add memory to your server, you can install additional memory-module kits on this memory board. You can install a maximum of 2 GB of memory in your server, with 128 MB memory modules in all 16 sockets (connectors J1 through J16).

Each bank contains connectors for eight memory modules. As a minimum, your server requires 16 MB memory modules in connectors J1, J2, J3, and J4 in bank 1. To ensure proper server operation, you must maintain 4, 8, or 16 memory modules in your server. The memory-module kit sizes available for your server are 16 MB, 32 MB, 64 MB, and 128 MB. When you install 16 MB memory modules in a bank, all of the memory modules in that bank must be the same size. However, you can install 32 MB memory modules in the other bank. If you install 64 MB or 128 MB memory modules in one bank, and you want to install memory modules in the other bank, those memory modules must also be 64 MB or 128 MB memory modules. The correct speed for these kits is 60 ns.

If additional memory is required, fill bank 1 first; then, continue with bank 2. Bank 1 must be fully populated before you can install memory modules in bank 2. If you need to install kits of a different size in bank 1, remove the preinstalled kits as described in “Removing Memory-Module Kits” on page 124, and install the other kits as described in this section.

Table 2 on page 114 shows the memory configurations available for your server. If you plan to install two different sizes of memory-module kits on the memory board, use Table 2 as a guide.

Installing Memory-Module Kits

Notes:

1. Use SIMMs that have tin-lead, alloy-plated-edge connectors.
2. Use SIMMs that are compatible with Joint Electron Device Engineering Council (JEDEC) standards. Contact your IBM reseller or IBM marketing representative for a list of approved SIMMs.
3. The PC Server 704 does not support memory expansion adapters.

Bank One	Bank Two	Total Memory	Memory Interleaving
16 MB x 4 SIMMS		64 MB	2-way
16 MB x 8 SIMMS		128 MB	4-way
16 MB x 8 SIMMS	16 MB x 8 SIMMS	256 MB	4-way
16 MB x 8 SIMMS	32 MB x 8 SIMMS	384 MB	4-way
32 MB x 4 SIMMS		128 MB	2-way
32 MB x 8 SIMMS		256 MB	4-way
32 MB x 8 SIMMS	16 MB x 8 SIMMS	384 MB	4-way
32 MB x 8 SIMMS	32 MB x 8 SIMMS	512 MB	4-way
64 MB x 4 SIMMS		256 MB	2-way
64 MB x 8 SIMMS		512 MB	4-way
64 MB x 8 SIMMS	64 MB x 8 SIMMS	1024 MB	4-way
64 MB x 8 SIMMS	128 MB x 8 SIMMS	1536 MB	4-way
128 MB x 4 SIMMS		512 MB	2-way
128 MB x 8 SIMMS		1024 MB	4-way
128 MB x 8 SIMMS	64 MB x 8 SIMMS	1536 MB	4-way
128 MB x 8 SIMMS	128 MB x 8 SIMMS	2048 MB	4-way

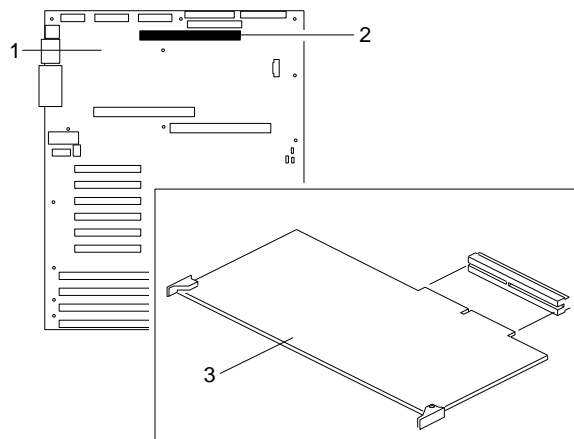
Installing Memory-Module Kits

Before you begin:

Be sure you have:

- Read “Electrical Safety” on page 75 and “Handling Static-Sensitive Devices” on page 77 (or your safety booklet).
- Removed the server cover (see “Preparing to Install Options” on page 78).

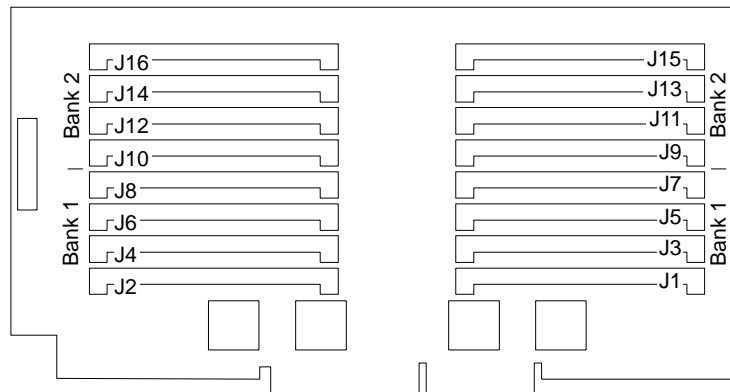
The following illustration shows the memory-board location on the system board.



- 1** System board
- 2** Memory-board connector
- 3** Memory board

Installing Memory-Module Kits

The following illustration shows the memory-module connectors for all models.



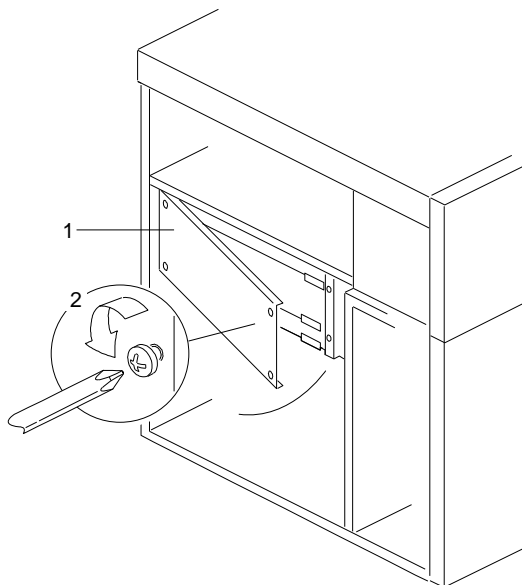
16 Attention:

- a. Reduce the risk of electrostatic discharge (ESD) damage to the memory modules and memory board by following the instructions in Notice Number 10.
- b. To avoid breaking the retaining clips or damaging the sockets, handle the clips gently.

Installing Memory-Module Kits

To install memory modules on a memory board, do the following steps:

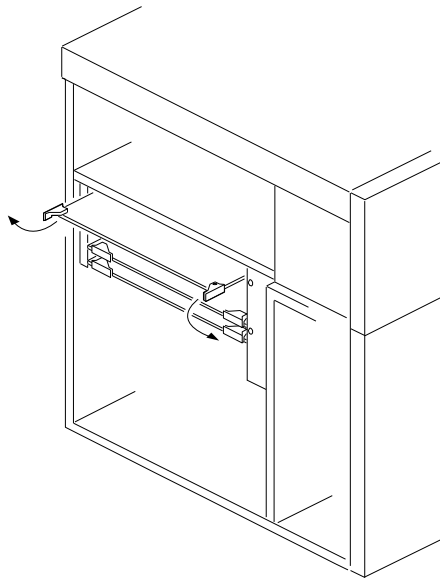
1. Remove the board-support panel:
 - a. Remove the left side panel **1**.
 - b. Remove the four screws **2** from the right edge of the board-support panel. Save the screws for later use.



- c. Open the board-support panel.
 - d. Remove the board-support panel by pulling the back edge away from the three slots at the back of the chassis.
 - e. Store the panel until you are ready to reinstall it.

Installing Memory-Module Kits

2. Remove the memory board:
 - a. Disconnect the memory board from the system board by rotating the memory-board corner handles outward to a 90-degree angle from the memory board.
 - b. Grasp the memory-board corner handles and carefully slide the memory board out of the slot. Avoid touching the components and gold-edge connectors on the memory board.

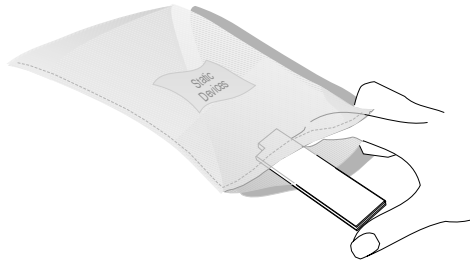


3. Place the memory board, component-side up, on a flat, static-protective surface.
4. Locate the memory-module connectors on the memory board.

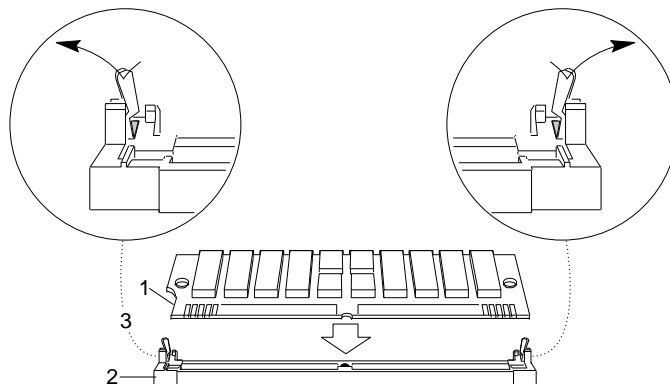
When you are instructed to install the kits (in step 6 on page 119), install them in pairs of adjacent memory connectors, with no vacant memory connectors in between.

Installing Memory-Module Kits

5. Touch the static-protective package to any unpainted metal surface on the server. Then, remove the memory-module kit from the package.

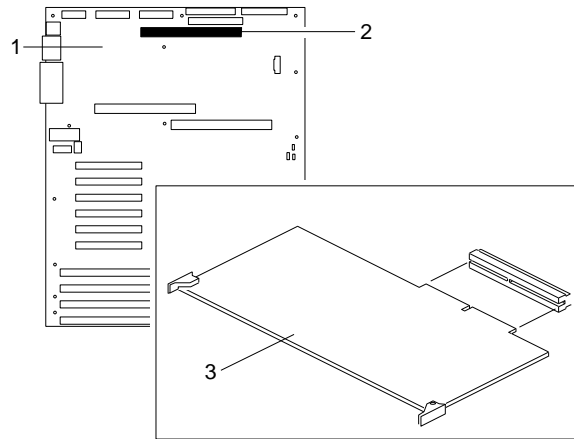


6. Install the kit:
 - a. Start with the lowest-numbered sockets in bank 1.
 - b. Turn the memory module so that the notched end **1** is on the left, and the top faces away from you.
 - c. Insert the SIMM into the memory-board connector, downward at a 45-degree angle.
 - d. Press the SIMM firmly into the socket **2**, until it is grasped by the retaining clips **3**. Verify that the SIMM has been installed correctly. If the SIMM remains at an angle, it has not been installed correctly. If a gap exists between the SIMM and the clips, the SIMM has not been properly installed. In this case, open the clips and remove the SIMM; then, reinsert the SIMM.



Installing Memory-Module Kits

- e. Repeat these steps for each memory module that you install.
7. Reinstall the memory board:
 - a. On the system board **1**, locate the connector **2** for the memory board **3**.



15a Attention: When you install adapters, processor boards, or memory boards in the server, be sure that they are completely and correctly seated in the system-board connectors before you apply power. Incomplete insertion might cause damage to the system board or the adapters that you are installing.

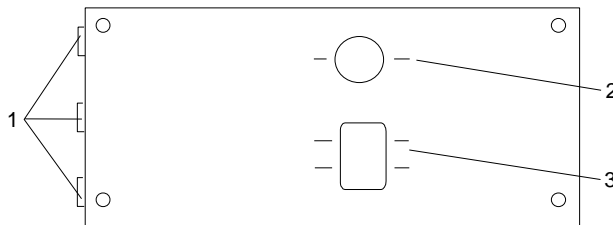
- b. Grasp the memory board by the corners, with the ejector handles turned outward to a 90-degree angle from the memory board.
- c. With the SIMM sockets facing down, carefully slide the memory board into the appropriate slot guides on the system board, until the board just touches the connector on the system board.
- d. Press the memory board firmly into the system-board connector.

Installing Memory-Module Kits

- e. Rotate the memory-board handles to the closed position, until the handles are aligned with the front edge of the memory board.
8. Go to Table 10 on page 283 to record the sizes of the memory modules and the connectors into which they are installed.



9. Reinstall the board-support panel:
 - a. Align the support panel so that the three tabs **1** at the back left edge of the panel fit into the three chassis slots.
 - b. Close the panel. Check to make sure that the boards in the slots behind the panel align with the scribe marks on the panel. Use the scribe marks at **2** to check the alignment of the memory board. Use the scribe marks at **3** to check the alignment of the processor boards.



- c. Secure the panel with the four screws that you removed in step 1b on page 117.
 - d. Reinstall the exterior side panel.
10. Reinstall the covers (see “Completing the Installation” on page 201) and go to Chapter 3, “Configuring Your Server” on

Installing Memory-Module Kits

page 39 to reconfigure your server; then, return here and continue with “What to do next?” on page 122 to determine your next step.

The next time that you start the server, a message appears to indicate that memory has been added or removed.

What to do next?

- Installing a microprocessor? — Go to “Installing a Microprocessor” on page 86.
- Removing a microprocessor? — Go to “Removing a Microprocessor” on page 103.
- Removing memory-module kits? — Go to “Removing Memory-Module Kits” on page 124.
- Installing video memory? — Go to “Installing Video Memory” on page 131.
- Replacing the real-time clock? — Go to “Replacing the Real-Time Clock” on page 137.
- Installing an adapter? — Go to “Installing Adapters” on page 143.
- Removing an adapter? — Go to “Removing Adapters” on page 151.
- Installing an internal drive? — Go to “Installing Internal Drives” on page 156.
- Removing an internal drive? — Go to “Removing Internal Drives” on page 180.
- Installing a power supply? — Go to “Adding Power Supplies” on page 194.
- Removing a power supply? — Go to “Removing Power Supplies” on page 197.
- Installing or removing a security feature? — Go to “Security Procedures” on page 200.

Installing Memory-Module Kits

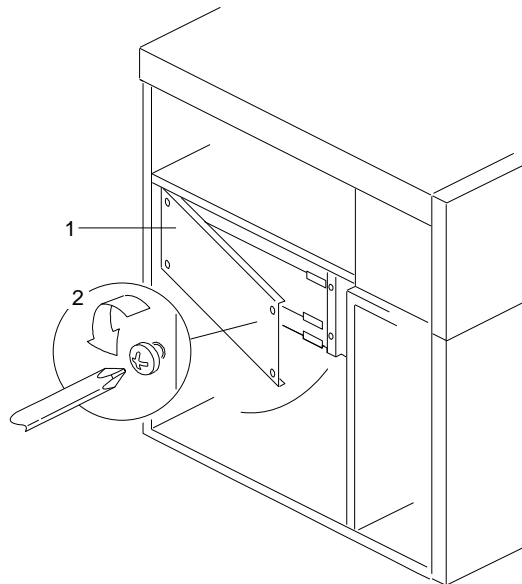
- No internal devices to install or remove? — Go to “Completing the Installation” on page 201.
- Installing an external option? — Go to “Connecting External Options” on page 207.

Removing Memory-Module Kits

16 Attention:

- a. Reduce the risk of electrostatic discharge (ESD) damage to the memory modules and memory board by following the instructions in Notice Number 10.
- b. To avoid breaking the retaining clips or damaging the sockets, handle the clips gently.

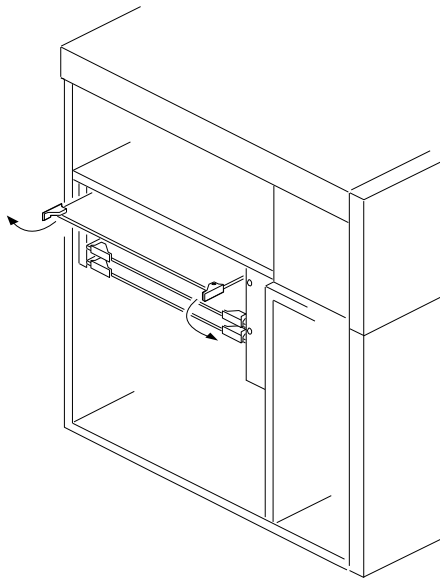
1. Remove the board-support panel:
 - a. Remove the left side panel **1**.
 - b. Remove the four screws **2** from the right edge of the board-support panel. Save the screws for later use.



- c. Open the board-support panel.
- d. Remove the board-support panel by pulling the back edge away from the three slots at the back of the chassis.
- e. Store the panel until you are ready to reinstall it.

Removing Memory-Module Kits

2. Remove the memory board:
 - a. Disconnect the memory board from the system board by rotating the memory-board corner handles outward to a 90-degree angle from the memory board.
 - b. Grasp the memory-board corner handles and carefully slide the memory board out of the slot. Avoid touching the components and gold-edge connectors on the memory board.



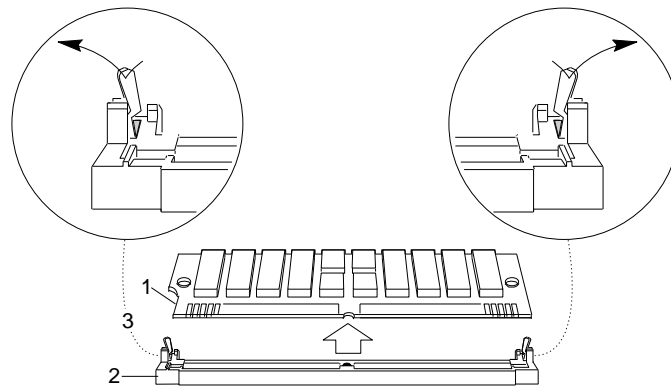
3. Place the memory board, component-side up, on a flat, static-protective surface.

Removing Memory-Module Kits

4. Locate the memory-module connectors on the memory board and determine which memory modules you want to remove.

Note: You must remove the memory modules in pairs, starting with the highest-numbered sockets that are farthest away from bank 1.

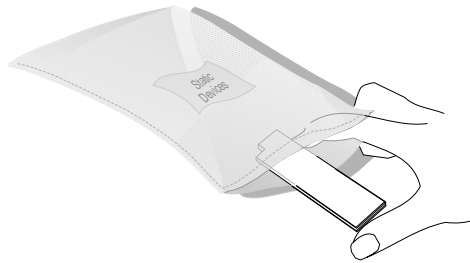
5. Remove the memory module:
 - a. Carefully press the two retaining clips **3** on the memory-board connector outward, creating just enough space to lift the top edge of the memory module away from the clips.
 - b. Lift the memory module away from the socket **2**.



Note: Item **1** in the above illustration is the notch used for orientation when installing SIMMs.

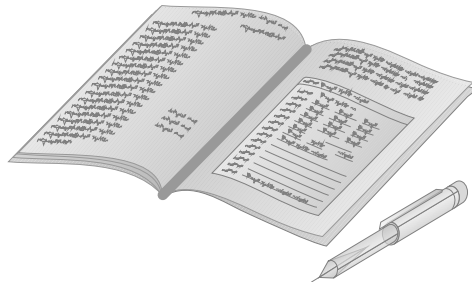
Removing Memory-Module Kits

6. Store any memory modules that you are no longer using in a static-protective package. Make a note of the kit size and speed for future reference.



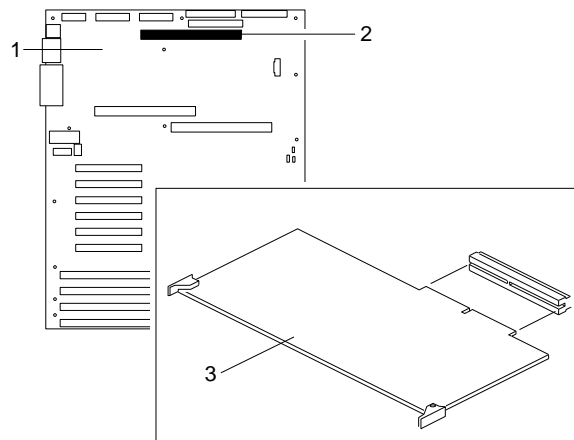
7. If you are installing memory modules in the empty connectors, go to “Installing Memory-Module Kits” on page 113.

If you are not installing memory modules in the empty connectors, go to Table 10 on page 283 to update the memory information; then, return here.



Removing Memory-Module Kits

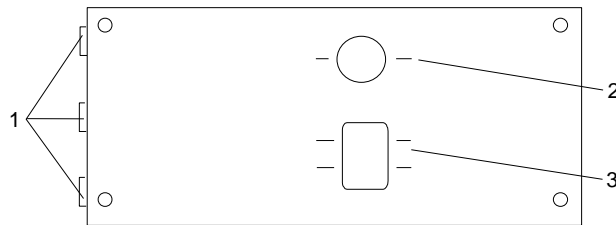
8. Reinstall the memory board:
 - a. On the system board **1**, locate the connector **2** for the memory board **3**.



- b. Grasp the memory-board corner handles and carefully slide the memory board into the appropriate slot guides on the system board.
- c. Press the memory board firmly into the system-board connector.
- d. Rotate the memory-board handles to the closed position, until the handles are aligned with the front edge of the memory board.

Removing Memory-Module Kits

9. Reinstall the board-support panel:
 - a. Align the support panel so that the three tabs **1** at the back left edge of the panel fit into the three chassis slots.
 - b. Close the panel. Check to make sure that the boards in the slots behind the panel align with the scribe marks on the panel. Use the scribe marks at **2** to check the alignment of the memory board. Use the scribe marks at **3** to check the alignment of the processor boards.



- c. Secure the panel with the four screws that you removed in step 1b on page 124.
 - d. Reinstall the exterior side panel.
10. Reinstall the covers (see “Completing the Installation” on page 201) and go to Chapter 3, “Configuring Your Server” on page 39 to reconfigure your server; then, return here and continue with “What to do next?” on page 130 to determine your next step.

The next time that you start the server, a message appears to indicate that memory has been added or removed.

Removing Memory-Module Kits

What to do next?

- Installing a microprocessor? — Go to “Installing a Microprocessor” on page 86.
- Removing a microprocessor? — Go to “Removing a Microprocessor” on page 103.
- Installing memory-module kits? — Go to “Installing Memory-Module Kits” on page 113.
- Installing video memory? — Go to “Installing Video Memory” on page 131.
- Replacing the real-time clock? — Go to “Replacing the Real-Time Clock” on page 137.
- Installing an adapter? — Go to “Installing Adapters” on page 143.
- Removing an adapter? — Go to “Removing Adapters” on page 151.
- Installing an internal drive? — Go to “Installing Internal Drives” on page 156.
- Removing an internal drive? — Go to “Removing Internal Drives” on page 180.
- Installing a power supply? — Go to “Adding Power Supplies” on page 194.
- Removing a power supply? — Go to “Removing Power Supplies” on page 197.
- Installing or removing a security feature? — Go to “Security Procedures” on page 200.
- No internal devices to install or remove? — Go to “Completing the Installation” on page 201.
- Installing an external option? — Go to “Connecting External Options” on page 207.

Installing Video Memory

Your server system board comes with 512 KB of preinstalled video memory. If you expand the memory buffer to 1 MB, your server controller will support high resolution graphics and text modes with 132 columns. You can increase the memory buffer size to 1 MB by installing a 40-pin, 256 KB by 16-bit, 70 ns, complementary metal oxide semiconductor (CMOS) dynamic random-access memory (DRAM) module with Fast Page Mode, such as Samsung KM416C256AJ-7, Hitachi HM514260AJ7R, or equivalent.

Note: See the *User's Reference* for more details about the video subsystem.

Before you begin:

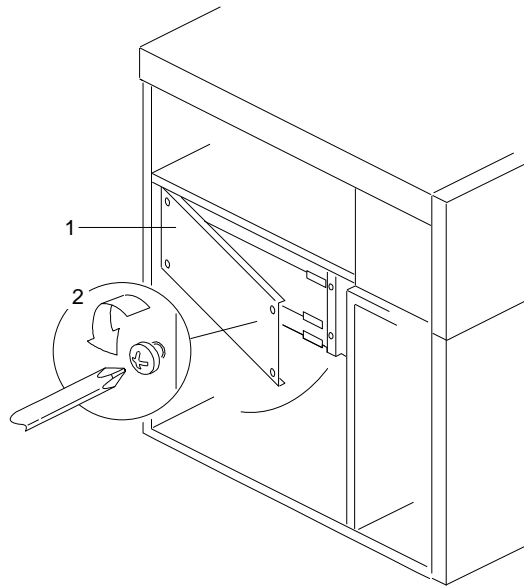
Be sure you have:

- Read “Electrical Safety” on page 75 and “Handling Static-Sensitive Devices” on page 77 (or your safety booklet).
- Removed the server cover (see “Preparing to Install Options” on page 78).

Installing Video Memory

To install video memory, do the following steps:

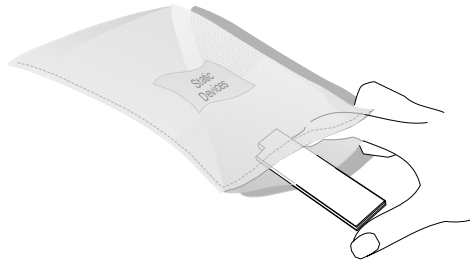
1. Remove the board-support panel:
 - a. Remove the left side panel **1**.
 - b. Remove the four screws **2** from the right edge of the board-support panel. Save the screws for later use.



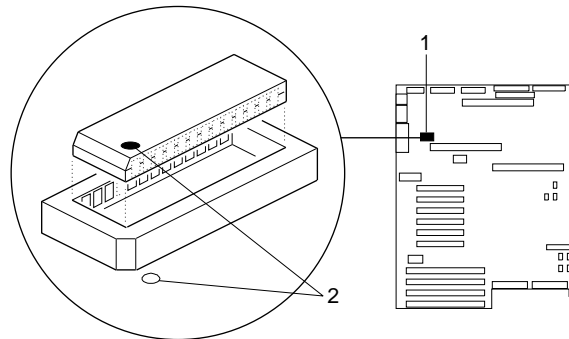
- c. Open the board-support panel.
 - d. Remove the board-support panel by pulling the back edge away from the three slots at the back of the chassis.
 - e. Store the panel until you are ready to reinstall it.

Installing Video Memory

2. Touch the static-protective package to any unpainted metal surface on the server. Then remove the DRAM from the package.

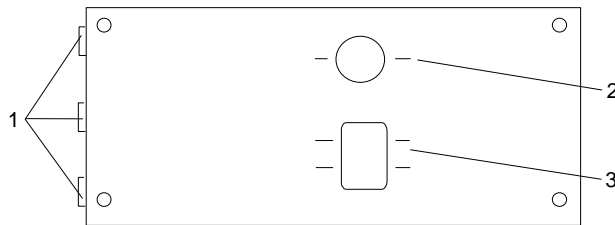


3. Locate the dot **2** on the DRAM.
4. Carefully align the dot on the DRAM with the beveled corner of the video-memory socket **1** on the system board.
5. Press the DRAM down firmly into the socket.



Installing Video Memory

6. Reinstall the board-support panel:
 - a. Align the support panel so that the three tabs **1** at the back left edge of the panel fit into the three chassis slots.
 - b. Close the panel. Check to make sure that the boards in the slots behind the panel align with the scribe marks on the panel. Use the scribe marks at **2** to check the alignment of the memory board. Use the scribe marks at **3** to check the alignment of the processor boards.



- c. Secure the panel with the four screws that you removed in step 1b on page 132.
- d. Reinstall the exterior side panel.

Installing Video Memory

7. Reinstall the covers (see “Completing the Installation” on page 201) and run the System Configuration Utility program (see Chapter 3, “Configuring Your Server” on page 39). The next time that you start the server, a message appears to indicate that memory has been added or removed.
8. Go to Table 9 on page 283 to record the size of the DRAM and the connector into which it is installed. Then, return here and continue with “What to do next?” on page 136 to determine your next step.



Installing Video Memory

What to do next?

- Installing a microprocessor? — Go to “Installing a Microprocessor” on page 86.
- Removing a microprocessor? — Go to “Removing a Microprocessor” on page 103.
- Installing memory-module kits? — Go to “Installing Memory-Module Kits” on page 113.
- Removing memory-module kits? — Go to “Removing Memory-Module Kits” on page 124.
- Replacing the real-time clock? — Go to “Replacing the Real-Time Clock” on page 137.
- Installing an adapter? — Go to “Installing Adapters” on page 143.
- Removing an adapter? — Go to “Removing Adapters” on page 151.
- Installing an internal drive? — Go to “Installing Internal Drives” on page 156.
- Removing an internal drive? — Go to “Removing Internal Drives” on page 180.
- Installing a power supply? — Go to “Adding Power Supplies” on page 194.
- Removing a power supply? — Go to “Removing Power Supplies” on page 197.
- Installing or removing a security feature? — Go to “Security Procedures” on page 200.
- No internal devices to install or remove? — Go to “Completing the Installation” on page 201.
- Installing an external option? — Go to “Connecting External Options” on page 207.

Replacing the Real-Time Clock

The real-time clock (RTC) contains a long-life, integral lithium battery. If the battery malfunctions (for example, the CMOS random-access memory (RAM) no longer stores the correct system settings), you must replace the RTC as described in this section. Contact your IBM reseller or IBM marketing representative for information about approved replacement devices.

This product has been designed with your safety in mind. The lithium battery must be handled correctly to avoid possible danger. If you replace the battery, you must adhere to the following requirements.

8



CAUTION:

The lithium battery presents a fire, explosion, or severe burn risk if handled incorrectly. Do not recharge it, disassemble it, heat it, incinerate it, or expose its cell contents to water. Dispose of the battery as required by local ordinances or regulations and the manufacturer's instructions.

When replacing the battery, use only an equivalent type battery recommended by the manufacturer. The battery contains lithium and can explode if not properly used, handled, or disposed of.

Notes:

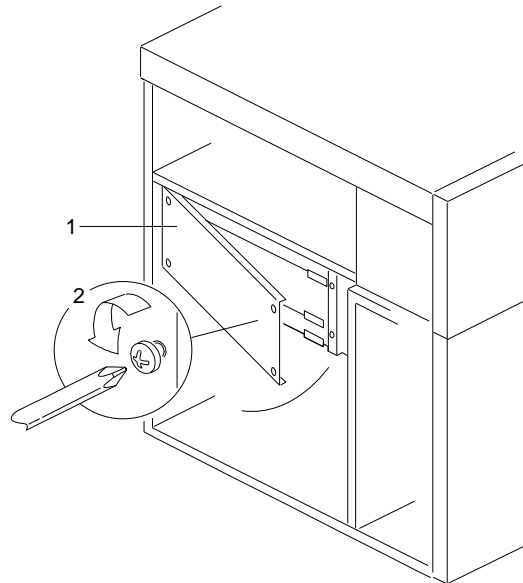
1. Replace the real-time clock module only with IBM FRU part number 75H9104 or with an IBM recommended equivalent. Use of any other real-time clock module could result in ignition or explosion.
2. Be sure to review the information provided in the PC Server 704 *Safety Information* booklet.

Replacing the Real-Time Clock

3. In the U.S., please call 1-800-IBM-4333 for information on battery disposal.

To replace the real-time clock, do the following steps:

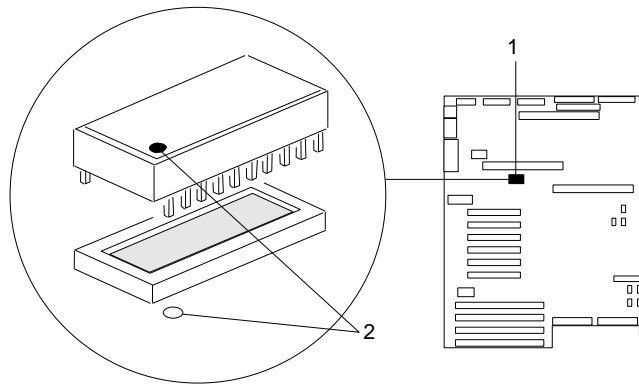
1. Remove the board-support panel:
 - a. Remove the left side panel **1**.
 - b. Remove the four screws **2** from the right edge of the board-support panel. Save the screws for later use.



- c. Open the board-support panel.
- d. Remove the board-support panel by pulling the back edge away from the three slots at the back of the chassis.
- e. Store the panel until you are ready to reinstall it.

Replacing the Real-Time Clock

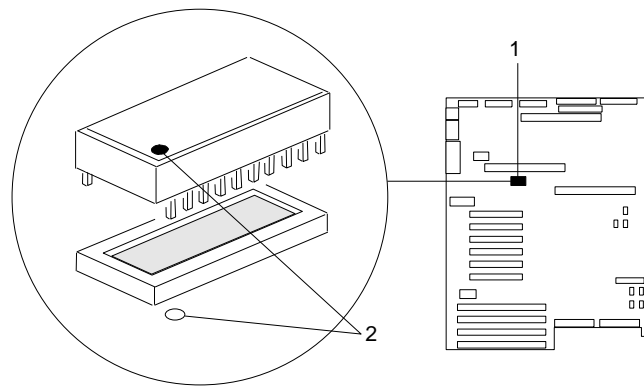
2. Remove the RTC from its socket (system-board connector) **1** with an appropriate tool.



3. If you plan to reinstall the same RTC later, store it in a static-protective bag.
4. If you plan to dispose of the RTC, adhere to the local ordinance requirements and the manufacturer's instructions for lithium-battery disposal. In addition, observe the lithium-battery cautions in this section.
5. Remove the replacement RTC from the static-protective package. Do not touch the pins on the RTC.

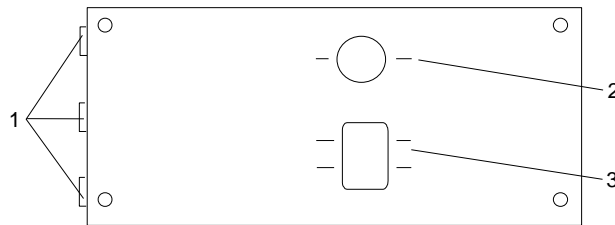
Replacing the Real-Time Clock

6. Orient the RTC so that the dot **2** on the top aligns with the rear of the system board.
7. Insert the pins on the RTC into the matching system-board socket connectors **1**.
8. Carefully and firmly press the RTC downward into the socket connectors; do not bend the pins.



Replacing the Real-Time Clock

9. Reinstall the board-support panel:
 - a. Align the support panel so that the three tabs **1** at the back left edge of the panel fit into the three chassis slots.
 - b. Close the panel. Check to make sure that the boards in the slots behind the panel align with the scribe marks on the panel. Use the scribe marks at **2** to check the alignment of the memory board. Use the scribe marks at **3** to check the alignment of the processor boards.



- c. Secure the panel with the four screws that you removed in step 1b on page 138.
 - d. Reinstall the exterior side panel.
10. Because your server contains a new RTC, you must reconfigure your server to restore the system settings (for example, date and time). To do this, run the System Configuration Utility program as described in Chapter 3, “Configuring Your Server” on page 39. Then, return here and continue with “What to do next?” on page 142 to determine your next step.

Replacing the Real-Time Clock

What to do next?

- Installing a microprocessor? — Go to “Installing a Microprocessor” on page 86.
- Removing a microprocessor? — Go to “Removing a Microprocessor” on page 103.
- Installing memory-module kits? — Go to “Installing Memory-Module Kits” on page 113.
- Removing memory-module kits? — Go to “Removing Memory-Module Kits” on page 124.
- Installing video memory? — Go to “Installing Video Memory” on page 131.
- Installing an adapter? — Go to “Installing Adapters” on page 143.
- Removing an adapter? — Go to “Removing Adapters” on page 151.
- Installing an internal drive? — Go to “Installing Internal Drives” on page 156.
- Removing an internal drive? — Go to “Removing Internal Drives” on page 180.
- Installing a power supply? — Go to “Adding Power Supplies” on page 194.
- Removing a power supply? — Go to “Removing Power Supplies” on page 197.
- Installing or removing a security feature? — Go to “Security Procedures” on page 200.
- No internal devices to install or remove? — Go to “Completing the Installation” on page 201.
- Installing an external option? — Go to “Connecting External Options” on page 207.

Installing Adapters

Before you begin:

Be sure you have:

- Read “Electrical Safety” on page 75 and “Handling Static-Sensitive Devices” on page 77 (or your safety booklet).
- Read the instructions that come with the adapter.
- Removed the server cover (see “Preparing to Install Options” on page 78).

Your server has ten connectors called *expansion slots*. If your server came with a network adapter or a RAID adapter, they are installed in the appropriate slots.

Notes:

1. If your server came with a preinstalled network adapter, or if you install this type of adapter, you must configure it as described in your network-adapter documentation.
2. If your server came with a RAID adapter, or if you install one, follow the instructions in the RAID adapter documentation for configuring the adapter.
3. If your RAID adapter has a backup battery pack, you must enable the backup battery pack before you can use the RAID adapter.

The remaining slots are available for future expansion and growth. For example, you can add adapters to provide communication, specialized graphics, and sound. This extends the capabilities and power of your server. Many adapters provide bus-master capabilities, which enable the adapters to perform operations without interrupting the server's microprocessor.

These expansion slots have Plug and Play capabilities. This feature requires a configuration file (.CFG) for each installed EISA or ISA adapter. See Chapter 3, “Configuring Your Server” on page 39 for information about creating configuration files. When operating

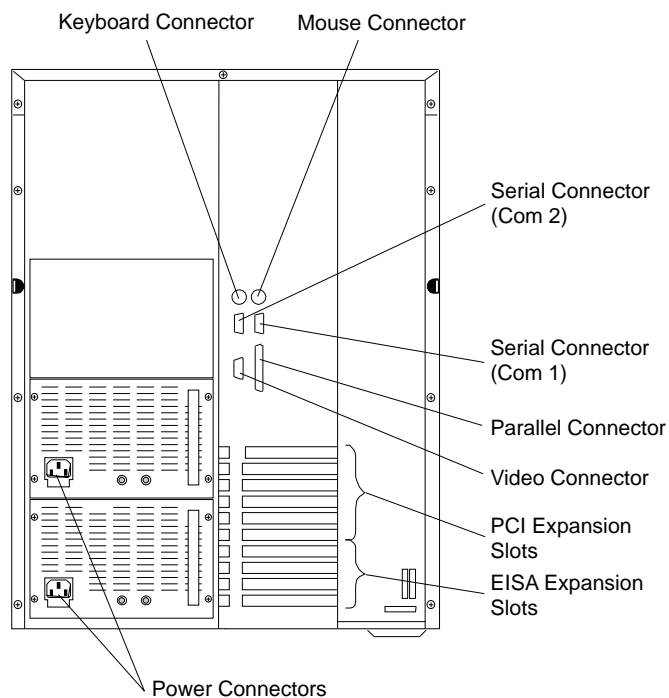
Installing Adapters

systems that support the Plug and Play feature become available, your server will automatically configure itself when you install EISA, ISA, and PCI Plug and Play devices.

Your server comes with a video controller. This video controller is an integrated component on the system board. It is *not* in an expansion slot. The integrated video controller has super video graphics array (SVGA) technology.

The integrated video controller is not removable. If you want to disable this controller and use a video adapter instead, you must install a PCI video adapter in an expansion slot. When you install a PCI video adapter, the server BIOS automatically disables the integrated video controller.

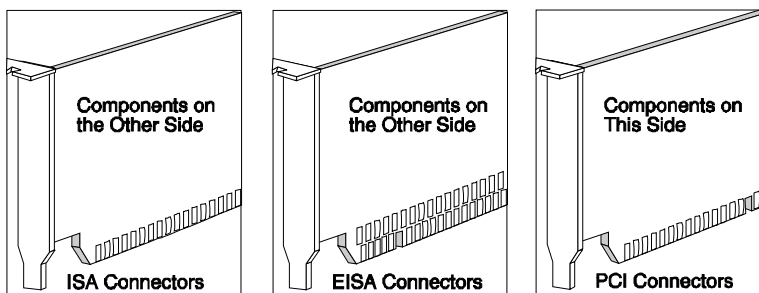
The following illustration shows the PCI and EISA expansion slots in your server.



Considerations

Three types of adapters are available for your PC Server 704:

- Extended industry-standard architecture (EISA)
- Industry-standard architecture (ISA)
- Peripheral component interconnect (PCI)



Before you continue with the adapter-installation procedure, you must adhere to the following requirements:

- Review the documentation that comes with the adapter and follow those instructions in addition to the instructions given in this chapter. If you need to change the switch or jumper settings on your adapter, follow the instructions that come with the adapter documentation.
- You can install EISA or ISA adapters in EISA slots 1–4 only. You can install full-length adapters in all EISA expansion slots.
- You can install PCI adapters in PCI slots 1–6 only. You can install full-length adapters in all PCI expansion slots. If you have high-performance adapters, such as network adapters, install them in the bottom three PCI slots.
- Your PC Server 704 uses a rotational interrupt technique to configure PCI adapters. This technique enables you to install a variety of PCI adapters that currently do not support sharing of PCI interrupts.

Installing Adapters

Installation Procedure

You can use any adapter that is compatible with an IBM PC AT or PC XT system (except for an 8-bit drop card that fits only in an 8-bit PC XT connector).

15a Attention: When you install adapters, processor boards, or memory boards in the server, be sure that they are completely and correctly seated in the system-board connectors before you apply power. Incomplete insertion might cause damage to the system board or the adapters that you are installing.

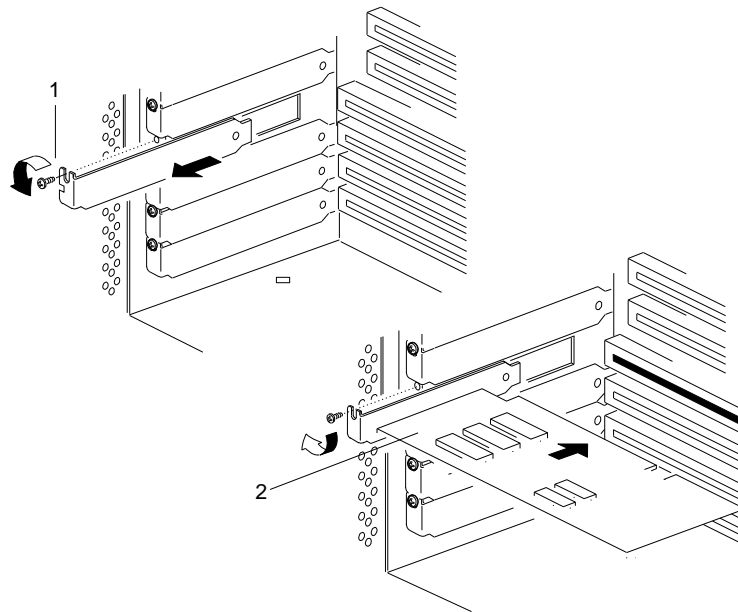
To install an adapter, do the following steps:

1. Determine which expansion slot you will use for the adapter. The top six slots are for PCI adapters, and the bottom four slots are for EISA or ISA adapters.

Check the instructions that come with the adapter for any requirements or restrictions. If there are no restrictions other than those listed in “Considerations” on page 145, you can use any empty EISA or PCI slot.

Installing Adapters

2. Remove the expansion-slot cover:
 - a. Loosen and remove the screw **1** on the top of the expansion-slot cover.
 - b. Slide the expansion-slot cover out of the server.
 - c. Store these items in a safe place for future use.

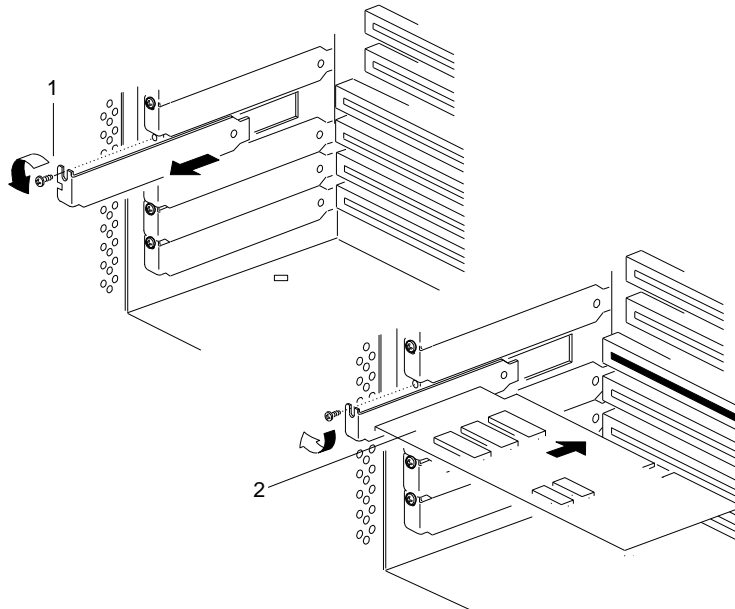


3. Remove the adapter from the static-protective package.

Note: Avoid touching the components and gold-edge connectors on the adapter.
4. Place the adapter, component-side up, on a flat, static-protective surface.
5. Set any jumpers or switches as described by the adapter manufacturer.

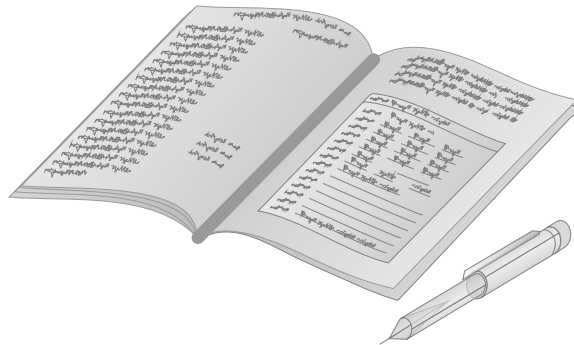
Installing Adapters

6. Install the adapter:
 - a. Carefully grasp the adapter **2** by its top edge or upper corners, and align it with the expansion slot on the system board.
 - b. Press the adapter *firmly* into the expansion slot. The tapered foot of the adapter-retaining bracket must fit into the mating slot in the expansion-slot frame.
 - c. Align the rounded notch in the retaining bracket with the threaded hole in the expansion-slot frame. The retaining bracket fits into the space that was occupied by the slot cover.
 - d. Insert the expansion-slot screw **1** that you removed in step 2a on page 147 into the threaded hole, and push the rounded notch up against the screw.
 - e. Tighten the expansion-slot screw firmly (6.0 inch-pounds) on the top of the adapter-retaining bracket.



Installing Adapters

7. If you installed an EISA or ISA adapter, run the System Configuration Utility program to reconfigure your server. If you installed a PCI adapter, running this program is optional. See Chapter 3, “Configuring Your Server” on page 39 for instructions on running this program.
8. Go to Table 11 on page 284 and write the adapter name next to the slot into which it is installed; then, return here.



9. Install software according to Chapter 2, “Installing Your Software” on page 27 and your operating system and application software documentation. Review the README files on your software installation diskettes. These files contain important information.

Verifying Compatibility between Network Adapters and Device Drivers

The PC Server 704 supports several types of network adapters. If you are having trouble with the installation or operation of a network adapter using OS/2 for SMP 2.11, ensure that the network-adapter device driver supports dual processors. Refer to your network-adapter documentation for additional information about adapter compatibility requirements.

Installing Adapters

What to do next?

- Installing a microprocessor? — Go to “Installing a Microprocessor” on page 86.
- Removing a microprocessor? — Go to “Removing a Microprocessor” on page 103.
- Installing memory-module kits? — Go to “Installing Memory-Module Kits” on page 113.
- Removing memory-module kits? — Go to “Removing Memory-Module Kits” on page 124.
- Installing video memory? — Go to “Installing Video Memory” on page 131.
- Replacing the real-time clock? — Go to “Replacing the Real-Time Clock” on page 137.
- Removing an adapter? — Go to “Removing Adapters” on page 151.
- Installing an internal drive? — Go to “Installing Internal Drives” on page 156.
- Removing an internal drive? — Go to “Removing Internal Drives” on page 180.
- Installing a power supply? — Go to “Adding Power Supplies” on page 194.
- Removing a power supply? — Go to “Removing Power Supplies” on page 197.
- Installing or removing a security feature? — Go to “Security Procedures” on page 200.
- No internal devices to install or remove? — Go to “Completing the Installation” on page 201.
- Installing an external option? — Go to “Connecting External Options” on page 207.
- Running the System Configuration Utility to initialize new options? — Go to “Using the System Configuration Utility Program” on page 45.

Removing Adapters

14 Attention: Expansion-slot covers must be installed on all vacant slots. This maintains the electromagnetic emissions characteristics of the system and ensures proper cooling of system components.

To remove an adapter, do the following steps:

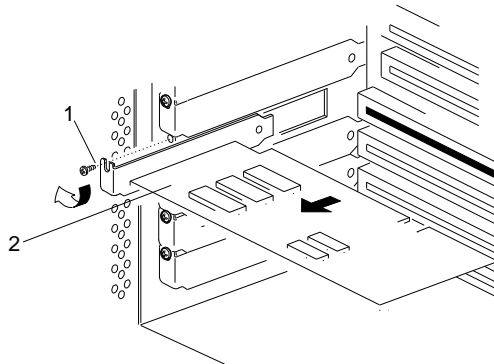
1. Remove the adapter:

Note: If you are removing a PCI adapter, the screw is on the inside back of the server.

- a. Disconnect the cables that are attached to the adapter that you are removing.
- b. Note the slot number of the adapter that you are removing.

Removing Adapters

- c. Loosen and remove the screw **1** on top of the adapter-retaining bracket. Save the screw for later use.
- d. Grasp the adapter **2** by its top edge or upper corners, and carefully pull the adapter out of the slot. Do not scrape the adapter against other components.



- e. Store the adapter in a static-protective bag.

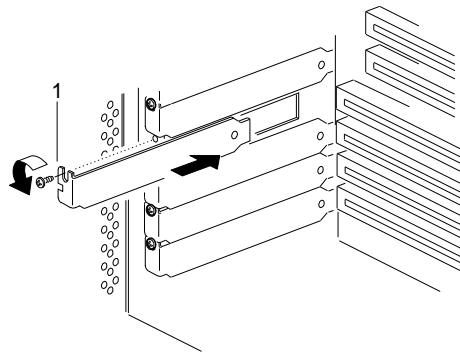
Removing Adapters

2. If you are installing another adapter in this expansion slot, see “Installing Adapters” on page 143 for instructions.

If you are not installing another adapter in this expansion slot, replace the expansion-slot cover:

Note: The tapered foot of the expansion-slot cover must fit into the mating slot in the expansion-slot frame.

- a. Slide the cover over the open expansion slot.
- b. Insert the expansion-slot screw **1** that you removed in step 1c on page 152 into the threaded hole, and push the rounded notch up against the screw.
- c. Tighten the expansion-slot screw firmly (6.0 inch-pounds) on the top of the expansion-slot cover.



Removing Adapters

3. Go to Table 11 on page 284 and delete the name of the adapter that you removed; then, return here.



4. If you removed an EISA or ISA adapter, run the System Configuration Utility program to reconfigure your server. If you removed a PCI adapter, running this program is optional. See Chapter 3, “Configuring Your Server” on page 39 for instructions on running this program.

What to do next?

- Installing a microprocessor? — Go to “Installing a Microprocessor” on page 86.
- Removing a microprocessor? — Go to “Removing a Microprocessor” on page 103.
- Installing memory-module kits? — Go to “Installing Memory-Module Kits” on page 113.
- Removing memory-module kits? — Go to “Removing Memory-Module Kits” on page 124.
- Installing video memory? — Go to “Installing Video Memory” on page 131.
- Replacing the real-time clock? — Go to “Replacing the Real-Time Clock” on page 137.
- Installing an adapter? — Go to “Installing Adapters” on page 143.
- Installing an internal drive? — Go to “Installing Internal Drives” on page 156.
- Removing an internal drive? — Go to “Removing Internal Drives” on page 180.
- Installing a power supply? — Go to “Adding Power Supplies” on page 194.
- Removing a power supply? — Go to “Removing Power Supplies” on page 197.
- Installing or removing a security feature? — Go to “Security Procedures” on page 200.
- No internal devices to install or remove? — Go to “Completing the Installation” on page 201.
- Installing an external option? — Go to “Connecting External Options” on page 207.
- Running the System Configuration Utility to initialize new options? — Go to “Using the System Configuration Utility Program” on page 45.

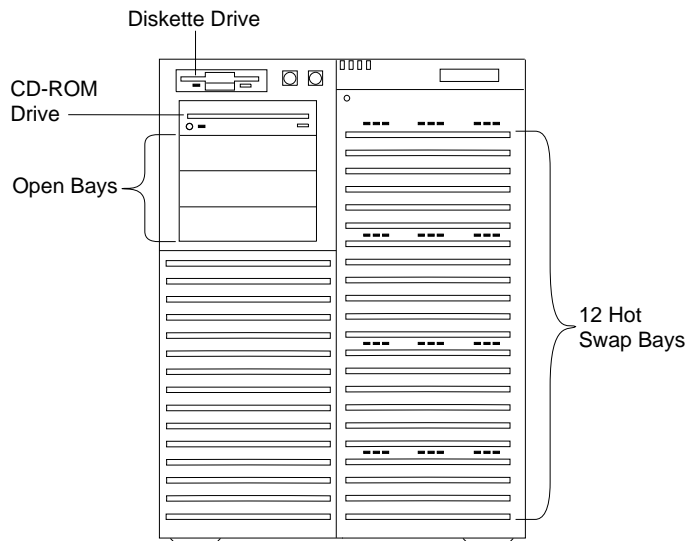
Installing Internal Drives

If you add different types of drives, your system can read multiple types of media and store more data. Several types of drives are available, such as:

- Hard disk
- CD-ROM drive
- Tape

Your server contains hardware that lets you replace a failed hard disk drive without turning off the server. Therefore, you have the advantage of continuing to operate your system while a hard disk drive is removed or installed. These drives are known as *hot-swap* drives.

Each hot-swap drive bay has three indicator lights visible at the front of the server. Check the individual indicator lights to determine which drive is faulty and needs to be swapped out. When the indicator light indicates a drive fault, you can replace a hot-swap drive without turning off the server.

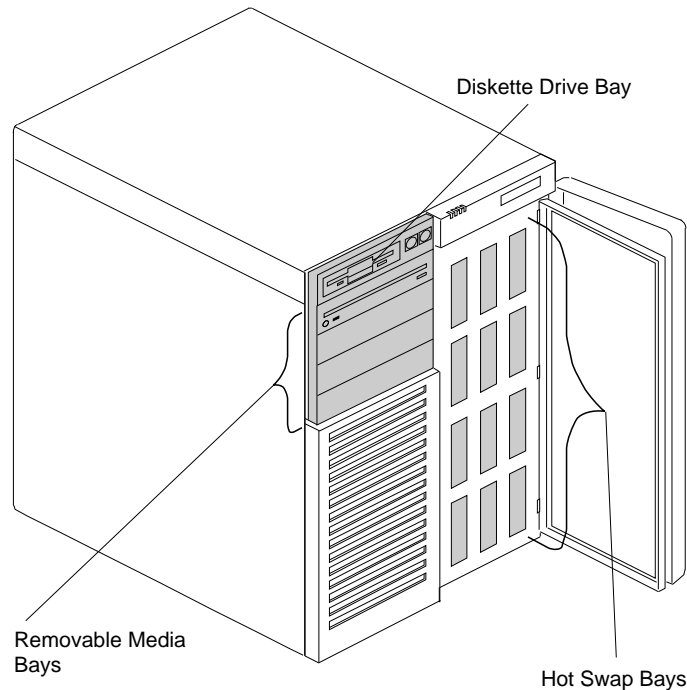


Installing Internal Drives

Each hot-swap drive that you plan to install must have a hot-swap-drive tray attached. The drive must have a single connector attachment (SCA) connector. Your server comes with 12 hot-swap drive trays.

Internal Drive Bays

Internal drives are installed in *bays*. All PC Server 704 models come with a preinstalled diskette drive and CD-ROM drive. The CD-ROM drive is installed in one of the four bays in the upper-left front of the server. You can install hot-swap drives in the 12 right bays only. The number of preinstalled hot-swap hard disk drives might vary according to the model that you purchased.



Installing Internal Drives

Considerations

- Your PC Server 704 comes with one SCSI CD-ROM drive and one 3.5-inch, 1.44 MB diskette drive.
- The upper-left front bays support half-high, removable-media drives.

Notes:

1. Installing hard disk drives in the upper-left front bays is not recommended. The hard disk drives generate EMI. In addition, hard disk drives in these bays are more susceptible to ESD.
 2. The server's EMI integrity and cooling are both protected by having the upper-left front bays covered or occupied. When you install a drive, save the filler panel and EMI shield from the bay, in case you later remove the drive and do not replace it with another.
- You cannot install hot-swap drives in the upper-left front bays.
 - Your server supports twelve 3.5-inch, half-high, hot-swap hard disk drives in the hot-swap bays. When you install drives in these bays, install the first drive in the top left bay and proceed with a left-to-right, top-to-bottom pattern.
 - The hot-swap bays connect to two SCSI *backplanes*. The backplanes are the printed circuit boards behind the bays. Each backplane supports up to six hard disk drives.
 - If you want to upgrade your server by installing a PCI RAID adapter, an 8-bit SCSI cable (the PC Server 4-Drop SCSI Cable) is available as an optional feature.

If you upgrade your server and you want to install 16-bit devices, you might need a 16-bit cable. To order cables, contact your IBM reseller or IBM marketing representative.

Note: Before you remove a hard disk drive, back up all data.

Installing Internal Drives

Table 3 shows the widths, types, and maximum heights for the drives that you can install in each bay.

Bay or Bank	Drive Width	Drive Type	Drive Height
Upper left	3.5-inch	Diskette	Half-high
Upper-left front	3.5-inch or 5.25-inch	Removable media ¹	Half-high
Hot-Swap	3.5-inch	Hard disk, hot-swap ²	Half-high
<i>Notes:</i> 1. Removable media include CD-ROMs and tapes. Installing hard disk drives in these bays is not recommended due to ESD and EMI issues. 2. If a hard disk drive is preinstalled, it is the startup (or boot) drive.			

Table 3. Maximum Allowable Drive Sizes

SCSI Drives

Some drives have a special design called *small computer system interface*, or “SCSI.” This design allows you to attach multiple drives to a single SCSI-2 connector.

Notes:

1. Any information about SCSI drives also applies to other SCSI devices, such as scanners and printers.
2. If you plan to install both internal and external SCSI devices, you must follow the instructions in “Connecting External Options” on page 207, in addition to the instructions in this section.

A 16-bit (wide) SCSI cable connects each hot-swap backplane to an integrated SCSI-2 controller on the system board; and an 8-bit SCSI cable connects the CD-ROM drive to the 8-bit connector on the top backplane. The 8-bit cable connected to the CD-ROM drive has two empty connectors that you can use to support additional 8-bit SCSI devices in the upper-left front bays.

Installing Internal Drives

SCSI IDs

If you install additional SCSI devices, each SCSI device that is connected to the integrated SCSI-2 controllers needs a unique identification (ID) so that the controllers can identify the devices and ensure that different devices do not attempt to transfer data at the same time. If you need to set IDs for SCSI devices, refer to the instructions that come with those devices.

The SCSI ID for the preinstalled CD-ROM drive is set to 5. The SCSI ID for the backplane is set to 6. The SCSI ID for the SCSI-2 controller is set to 7.

Your server automatically sets SCSI IDs for hot-swap hard disk drives, according to the jumper settings on the SCSI-2 backplanes. The server uses the hard disk drive SCSI IDs to send status information to the indicator lights above each hot-swap bay.

Table 4 shows the SCSI IDs that the backplanes behind bays 1 to 12 assign for hot-swap hard disk drives.

Bay	1	2	3	4	5	6	7	8	9	10	11	12
ID	8	9	10	11	12	13	8	9	10	11	12	13

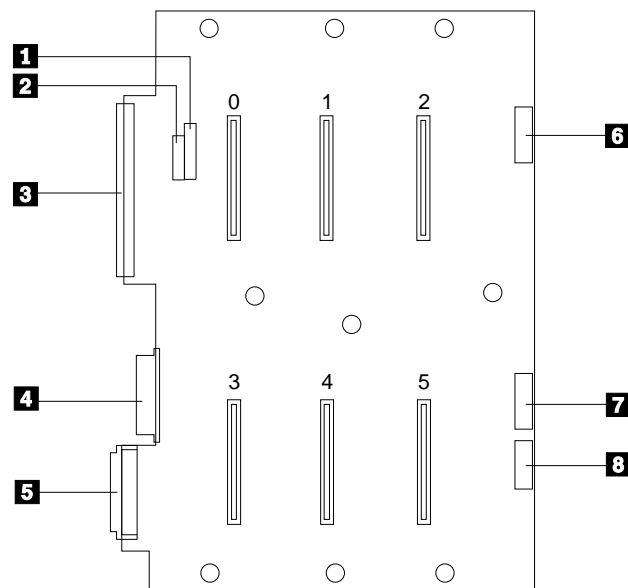
Table 4. Automatically Assigned SCSI IDs

To resolve a hard disk drive SCSI ID conflict, you can change the default ID addresses of the drives by changing the jumper settings on the SCSI backplane. The SCSI ID must be unique for each drive that you connect to each backplane.

Each of the two SCSI backplanes in the server supports six of the hot-swap bays. The top six hot-swap drives (in bays 1 through 6) connect to the upper backplane. The lower six drives (in bays 7 through 12) connect to the lower backplane.

Installing Internal Drives

The following illustration shows a SCSI drive backplane.



The connectors on the backplane are:

- 1** J4 SCSI ID jumper block
- 2** J3 SCSI ID jumper block
- 3** J8 Fast SCSI ID connector
- 4** J10 Power and ground from power distribution board
- 5** J15 Fast/Wide SCSI connector
- 6** J2 LED connector for drives 0, 1, and 2
- 7** J9 LED connector for drives 3, 4, and 5
- 8** J11 Multiprocessing-bus connector

Installing Internal Drives

Table 5 shows the SCSI IDs that you can use for hot-swap drives.

J3 Pins	J4 Pins	Bay 1 or 7	Bay 2 or 8	Bay 3 or 9	Bay 4 or 10	Bay 5 or 11	Bay 6 or 12
1-2	1-2	0	1	10	3	4	13
1-2	2-3	0	1	2	3	4	5 ¹
2-3	2-3	8	9	2	11	12	5 ¹
2-3 ²	1-2 ²	8	9	10	11	12	13

Notes:

1. See "Setting SCSI IDs for External Devices" on page 209 for rules about setting SCSI IDs for devices.
2. This is the default jumper setting.

The processing sequence for SCSI devices is set through the SCSISelect Utility program (refer to the *SCSI Software User's Guide* for more information). The sequence proceeds from the lowest SCSI ID to the highest (0 to 6, then 8 to 15).

Termination (Internal SCSI Devices)

The devices at both ends of the SCSI bus must be terminated. If you attach SCSI devices (internal or external), you must terminate the last device in the chain.

Note: All of the preinstalled hot-swap drives in your server have automatic termination.

If you attach internal SCSI devices to one of the SCSI-2 internal connectors, you must terminate the last internal device on the bus (cable) and disable the termination on the other devices connected to the internal SCSI controller. The SCSI-2 controller is already terminated.

Installing Internal Drives

Refer to the instructions that come with the SCSI device for more information about termination. Refer to the *User's Reference* for additional information about your server's SCSI subsystem.

Preinstallation Steps (All Bays)

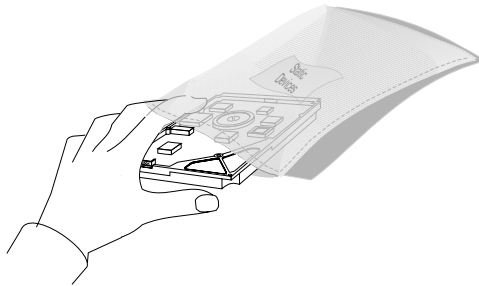
Before you install drives in your PC Server 704, verify that you have all of the cables, drive trays, and any other equipment specified in the documentation that comes with the internal drive. You might also need to perform certain preinstallation activities. Some of the steps are required only during the initial installation of an option.

Before you begin:

Be sure you have:

- Read “Electrical Safety” on page 75 and “Handling Static-Sensitive Devices” on page 77 (or your safety booklet).
- Read the documentation that comes with the internal drive.
- Opened the server cover (see “Preparing to Install Options” on page 78).

1. Choose the bay in which you want to install the drive.
2. Touch the static-protective bag containing the drive to any unpainted metal surface on the server; then, remove the drive from the bag.



Installing Internal Drives

3. Check the instructions that come with the drive, or contact your IBM reseller or IBM marketing representative to see if you need to set any switches or jumpers on the drive, or if you need to attach a tray to the drive.

Notes:

- a. The SCSI ID on the CD-ROM is preset to 5.
- b. The SCSI ID for the hot-swap backplanes is preset to 6.
- c. Automatic SCSI ID settings apply only to hot-swap hard disk drives.

What to do next?

- Installing a 5.25-inch removable-media drive? — Go to “Installing a 5.25-inch Removable-Media Drive” on page 165.
- Installing a hot-swap drive? — Go to “Installing a Drive in a Hot-Swap Bay” on page 173.

Installing a 5.25-inch Removable-Media Drive

Before you begin:

Be sure you have:

- Removed the server left side cover
- Unlocked and opened the short bay door
- Prepared the drive for installation (see “Preparing to Install Options” on page 78 and “Preinstallation Steps (All Bays)” on page 163).

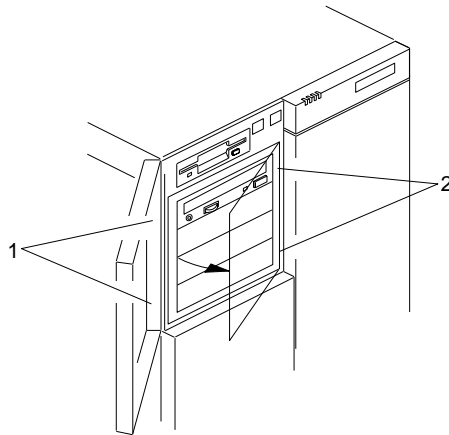
Notes:

1. Installing hard disk drives in these bays is not recommended. The hard disk drives generate EMI. In addition, a hard disk drive in any of these bays is more susceptible to ESD.
2. System EMI integrity and cooling are both protected by having drives installed in the bays or filler panels and EMI shields covering the bays. When you install a drive, save the panel and shield.

Installing Internal Drives

To install a removable-media drive in the upper-left front bays, do the following steps:

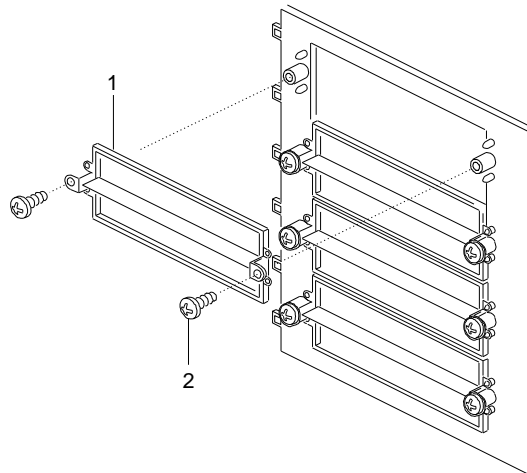
1. Remove the filler panel from the bay in which you plan to install the drive:
 - a. Press the two panel frame release tabs **1**, located between the front edge of the cardcage and the metal flange (the tab locations are pinpointed but not shown at **1** in the following figure).
 - b. Swing the frame out to the right; then, remove it from the chassis by disengaging the hinge tabs at the right edge of the frame (at **2** in the following figure).



- c. Place the filler panel frame face down on a soft surface to prevent marring the front of the frame unit.

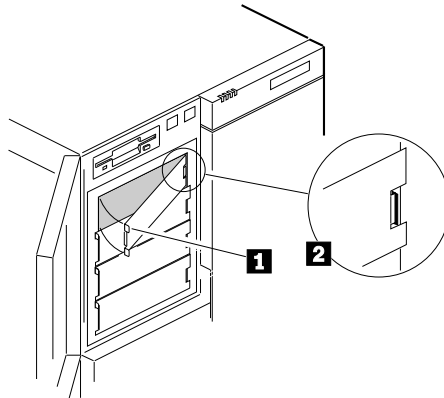
Installing Internal Drives

2. Remove the screws **2** and filler panel **1** from the bay in which you plan to install a drive. Save the panel and screws for later use.

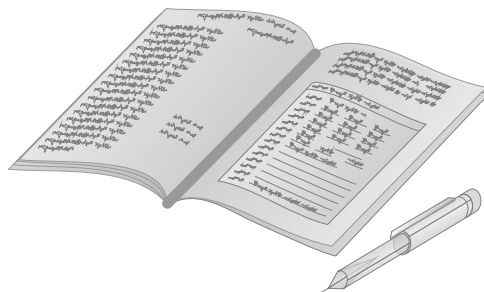


Installing Internal Drives

3. Remove the metal EMI shield from the bay opening:
 - a. At the left side of the shield, push the tabs **1** slightly to the right while pulling out.
 - b. Pull the right edge of the shield out from the chassis slot **2**. Save the shield to reuse if you remove a drive from a bay later and do not reinstall one.



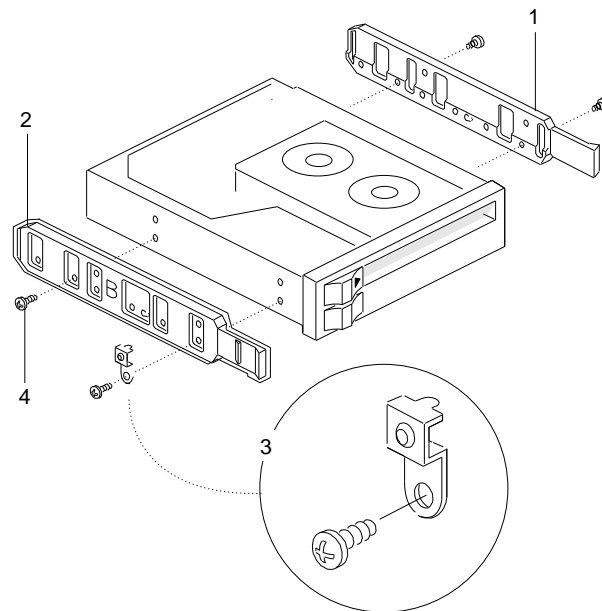
4. Remove the drive from the static-protective bag and place it on a static-protective surface.
5. Set any jumpers or switches on the drive according to the documentation that came with the drive.
6. Go to Table 12 on page 286 to record the drive location and the SCSI ID; then, return here to determine your next step.



Installing Internal Drives

7. Attach the plastic snap-in slide rails and an EMI/ESD grounding clip to the drive:
 - a. Attach plastic snap-in slide rail B **2** to the left side of the drive, using two screws **4** of the appropriate size and length.
 - b. Install the grounding clip under the screw head near the front of the drive, as shown in **3**.
 - c. Attach slide rail A **1** to the right side of the drive, using two screws of the appropriate size and length.

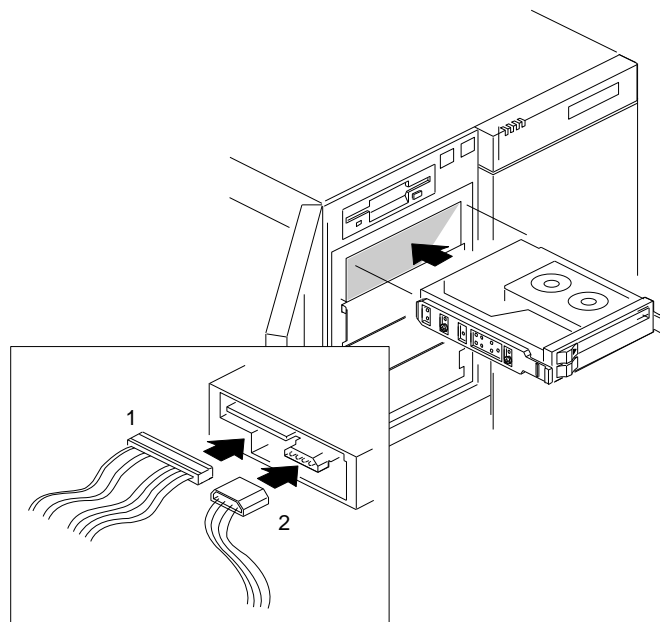
Note: The screws are included in the drive accessory kit that came with your server.



8. Place the drive so that the plastic side rails engage in the bay guide rails. Push the drive into the bay until the rails lock in place.

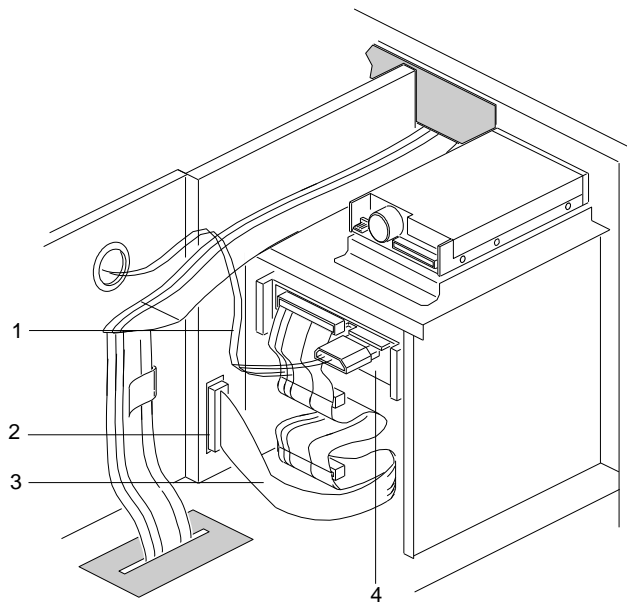
Installing Internal Drives

9. Connect a signal cable **1** to the back of the drive. If a narrow SCSI cable is already connected to devices in the 5.25-inch drive bays, add your drive to the cable. Otherwise, install a standard 50-pin ribbon cable: connect this cable to connector J8 (on the lower backplane for the 5.25-inch drive bays) and to the drive.
10. Connect a power cable **2** to the back of the drive. Power cables for removable-media drives come with your server. The connectors are keyed and can be inserted only one way.



Installing Internal Drives

11. Route the cables for your 5.25-inch drive as shown in the following example illustration.



- 1** Power cable
- 2** Connector J8 on upper SCSI backplane
- 3** Narrow SCSI cable
- 4** Removable-media drive at end of narrow SCSI cable

Installing Internal Drives

12. If you are installing another 5.25-inch drive, return to step 2 on page 167. Otherwise, continue with the next step.
13. Reinstall the filler panel frame:
 - a. Align the hinge tabs at the right edge of the filler panel frame with the corresponding slots in the chassis.
 - b. Swing the panel frame to the left until it latches.
14. When you have no more options to install, run the System Configuration Utility program to specify that the drive is installed in the system. If your server has a RAID adapter installed, refer to the RAID adapter documentation for details about configuration requirements. Record the RAID configuration information in the appropriate tables in “Installed Device Records” on page 280.

What to do next?

- Installing a hot-swap drive? — Go to “Installing a Drive in a Hot-Swap Bay” on page 173.

Installing a Drive in a Hot-Swap Bay

Before you begin:

Be sure you have:

- Read “Electrical Safety” on page 75 and “Handling Static-Sensitive Devices” on page 77 (or your safety booklet).
- Unlocked and opened the short bay door
- Opened the right front exterior door (see “Preparing to Install Options” on page 78 and “Preinstallation Steps (All Bays)” on page 163).
- Unlocked any padlock securing the EMI metal panel, and remove the lock.

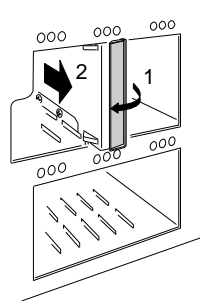
Notes:

1. The right-hand bays support hot-swap drives only.
2. You do not have to turn off the server to install hot-swap drives in these bays. However, you must turn off the server when performing the steps that involve installing or removing cables.

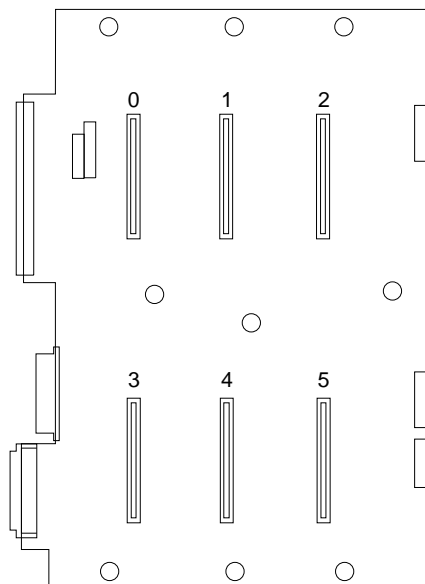
Installing Internal Drives

To install a drive in a hot-swap bay, do the following steps:

1. Open the EMI metal panel, using the three thumbscrews.
2. Grasp the plastic lever on an empty carrier and pull the lever toward you.
3. Remove the empty carrier **2** from the bay **1**.

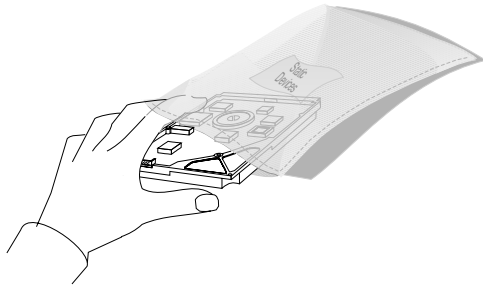


The SCSI IDs (0-5) for the hot-swap drive connectors on the backplane are shown in the following illustration.

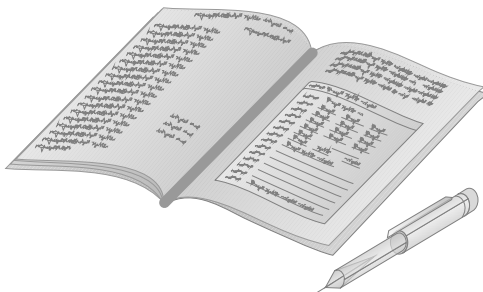


Installing Internal Drives

4. Remove the drive from its static-protective bag and place it on a static-protective surface.



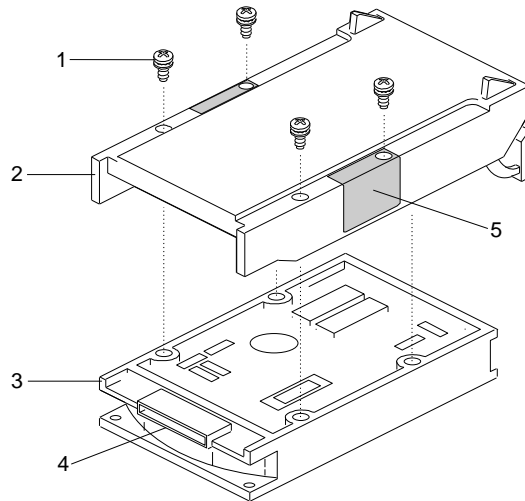
5. Go to Table 12 on page 286 to record the drive model number and serial number.



Installing Internal Drives

6. Orient the drive **3** so that the power and signal **4** connectors are near the top surface of the drive; then, place the drive on the static-protective surface again.
7. Place the carrier **2** on top of the drive.
8. Attach the carrier using four screws **1** of appropriate size and length. The carrier includes EMI/ESD grounding clips **5** that make contact with the drive through two of the screws.

Note: The screws are included in the drive accessory kit that came with your server.



Installing Internal Drives

9. Install the hard disk drive in the hot-swap bay:
 - a. Align the drive/carrier assembly vertically so that it engages the guide rails in the bay.
 - b. Gently push the drive assembly into the bay until the drive connects to the backplane.
 - c. Push the plastic lever to the right until it locks around the small metal posts.
10. Close the EMI metal panel and secure it with the three thumbscrews.
11. To restrict access to the bays, insert and lock a padlock through the holes at the left edge of the EMI panel.
12. Check the hard disk drive status indicators to verify that the hard disk drives are operating properly. See “Identifying Problems through Status Indicators” on page 258 for details.
13. If your server has a RAID adapter installed, refer to the RAID adapter documentation for details about configuration requirements. Record the RAID configuration information in the appropriate tables in “Installed Device Records” on page 280.

Installing Internal Drives

What to do next?

- Installing a microprocessor? — Go to “Installing a Microprocessor” on page 86.
- Removing a microprocessor? — Go to “Removing a Microprocessor” on page 103.
- Installing memory-module kits? — Go to “Installing Memory-Module Kits” on page 113.
- Removing memory-module kits? — Go to “Removing Memory-Module Kits” on page 124.
- Installing video memory? — Go to “Installing Video Memory” on page 131.
- Replacing the real-time clock? — Go to “Replacing the Real-Time Clock” on page 137.
- Installing an adapter? — Go to “Installing Adapters” on page 143.
- Removing an adapter? — Go to “Removing Adapters” on page 151.
- Installing a 5.25-inch removable-media drive? — Go to “Installing a 5.25-inch Removable-Media Drive” on page 165.
- Removing an internal drive? — Go to “Removing Internal Drives” on page 180.
- Installing a power supply? — Go to “Adding Power Supplies” on page 194.
- Removing a power supply? — Go to “Removing Power Supplies” on page 197.
- Installing or removing a security feature? — Go to “Security Procedures” on page 200.
- No internal devices to install or remove? — Go to “Completing the Installation” on page 201.
- Installing an external option? — Go to “Connecting External Options” on page 207.

Installing Internal Drives

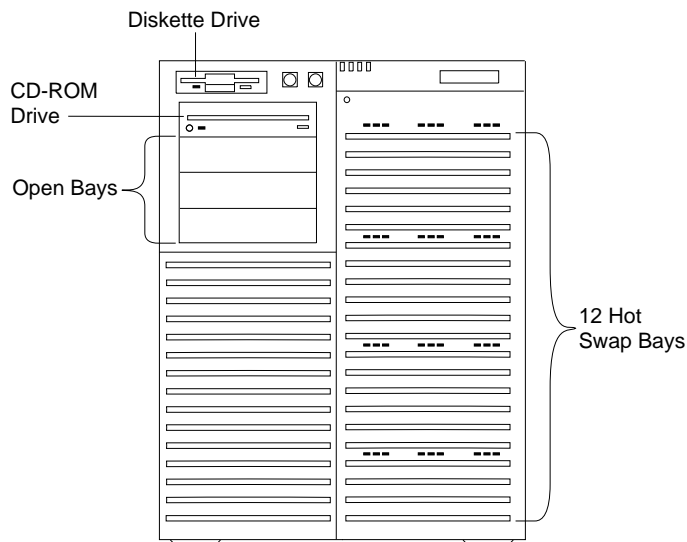
- Running the System Configuration Utility to initialize new options? — Go to “Using the System Configuration Utility Program” on page 45.

Removing Internal Drives

Before you begin:

Be sure you have:

- Read “Electrical Safety” on page 75 and “Handling Static-Sensitive Devices” on page 77 (or your safety booklet).
- Removed the front and side covers (see “Preparing to Install Options” on page 78).
- Determined the correct location of a failed hard disk drive, if your server is a disk-array model, and your system indicates that a drive is defective (hot-swap drives only). See “Removing a Hot-Swap Drive” on page 188 for details.



To remove a drive from the upper-left front bays, go to “Removing a 5.25-Inch Removable-Media Drive” on page 181.

To remove a drive from the hot-swap bays, go to “Removing a Hot-Swap Drive” on page 188.

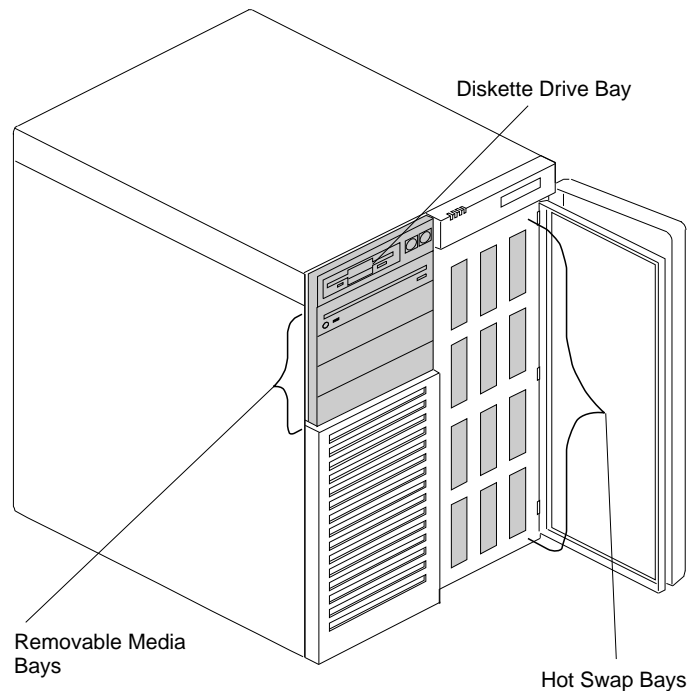
Removing Internal Drives

Removing a 5.25-Inch Removable-Media Drive

Before you begin:

Be sure you have:

- Removed the server left side cover
- Unlocked and opened the short bay door
- Prepared the drive for installation (see “Preparing to Install Options” on page 78 and “Preinstallation Steps (All Bays)” on page 163).



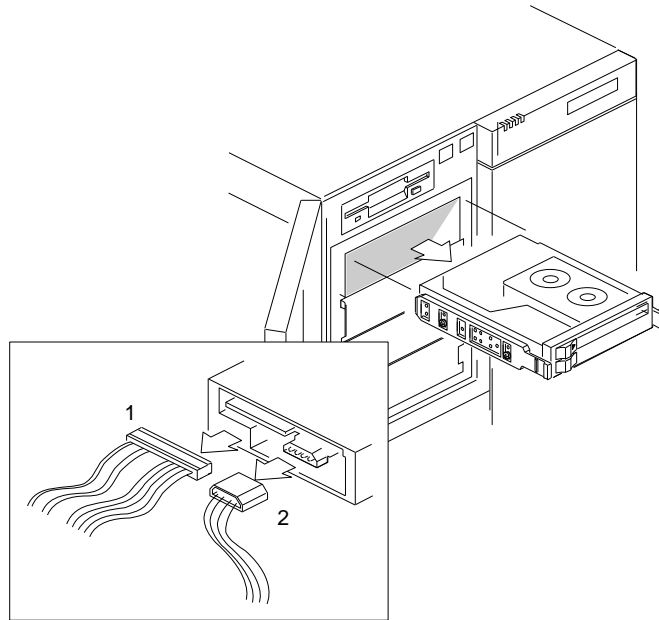
Removing Internal Drives

Notes:

1. Installing hard disk drives in these bays is not recommended. The hard disk drives generate EMI. In addition, hard disk drives in these bays are more susceptible to ESD.
2. System EMI integrity and cooling are both protected by having drives installed in the bays or filler panels and EMI shields covering the bays. When you install a drive, save the panel and shield.

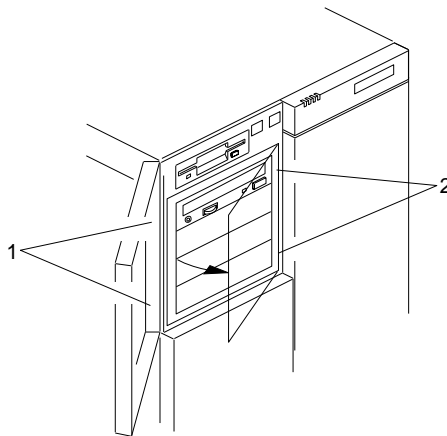
To remove a removable-media drive from the upper-left front bays, do the following steps:

1. Identify the drive that you plan to remove.
2. Disconnect the signal **1** and power **2** cables from the back of the drive.



Removing Internal Drives

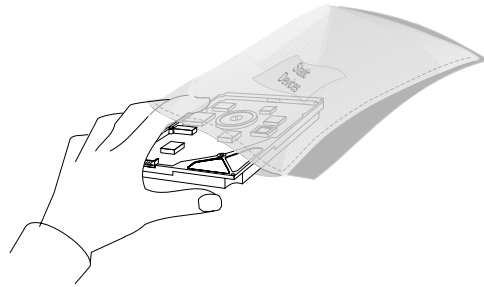
3. Remove the panel frame:
 - a. Press the two panel frame release tabs, located between the front edge of the cardcage and the metal flange (the tab locations are pinpointed but not shown at **1** in the following figure).
 - b. Swing the frame out to the right; then, remove it from the chassis by disengaging the hinge tabs at the right edge of the frame (at **2** in the following figure).



- c. Place the filler panel frame face down on a soft surface to prevent marring the front of the frame unit.
4. Press the ends of the snap-in slide rails toward the drive until they release the bay guide rails.
5. Slide the drive out the front of the bay, and place it on a static-protective surface.
6. Remove the two screws that hold the grounding clip and each of the plastic snap-in slide rails to the side of the drive.

Removing Internal Drives

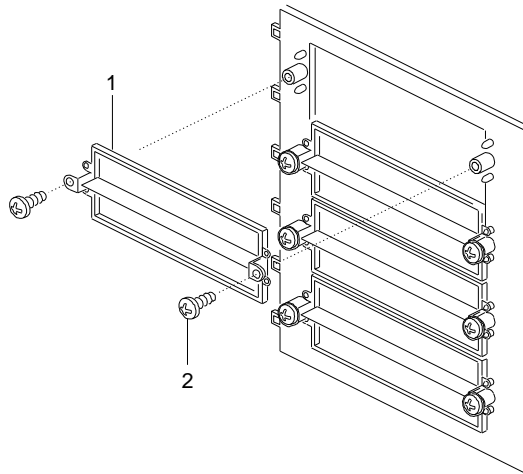
7. Place the drive in a static-protective bag and store it in a safe place.



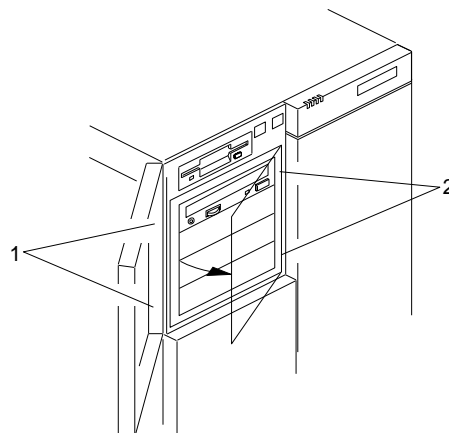
8. If you are not reinstalling the same or another drive, install a metal EMI shield to cover the empty bay:
 - a. On the right edge of the shield, engage the single tab in the chassis slot. Make sure that the upper and lower tabs lie flat against the outside of the chassis.
 - b. Push in the left side of the shield until the tabs snap into place.

Removing Internal Drives

9. Cover the empty bay with a filler panel:
 - a. Use two screws **1** to install a filler panel **2** in the corresponding opening in the filler panel frame.



- b. Align the hinge tabs (the tab locations are pinpointed but not shown at **1** in the following figure) at the right edge of the filler panel frame **2** with the corresponding slots in the chassis.
 - c. Swing the panel frame to the left until it latches.



Removing Internal Drives

10. Go to Table 12 on page 286 to update the drive information; then, return here to determine your next step.



11. Reinstall the side cover (see “Installing the Side Covers” on page 203).
12. Close and lock the front bay door.
13. When you have no more options to install, run the System Configuration Utility to specify that the drive is not installed in the system. If your server has a RAID adapter installed, refer to the RAID adapter documentation for details about configuration requirements. Record the RAID configuration information in the appropriate tables in “Installed Device Records” on page 280.

What to do next?

- Installing a microprocessor? — Go to “Installing a Microprocessor” on page 86.
- Removing a microprocessor? — Go to “Removing a Microprocessor” on page 103.
- Installing memory-module kits? — Go to “Installing Memory-Module Kits” on page 113.
- Removing memory-module kits? — Go to “Removing Memory-Module Kits” on page 124.
- Installing video memory? — Go to “Installing Video Memory” on page 131.
- Replacing the real-time clock? — Go to “Replacing the Real-Time Clock” on page 137.

Removing Internal Drives

- Installing an adapter? — Go to “Installing Adapters” on page 143.
- Removing an adapter? — Go to “Removing Adapters” on page 151.
- Installing a 5.25-inch removable-media drive? — Go to “Installing a 5.25-inch Removable-Media Drive” on page 165.
- Installing a hot-swap drive? — Go to “Installing a Drive in a Hot-Swap Bay” on page 173.
- Removing a hot-swap drive? — Go to “Removing a Hot-Swap Drive” on page 188.
- Installing a power supply? — Go to “Adding Power Supplies” on page 194.
- Removing a power supply? — Go to “Removing Power Supplies” on page 197.
- Installing or removing a security feature? — Go to “Security Procedures” on page 200.
- No internal devices to install or remove? — Go to “Completing the Installation” on page 201.
- Installing an external option? — Go to “Connecting External Options” on page 207.
- Running the System Configuration Utility to initialize new options? — Go to “Using the System Configuration Utility Program” on page 45.

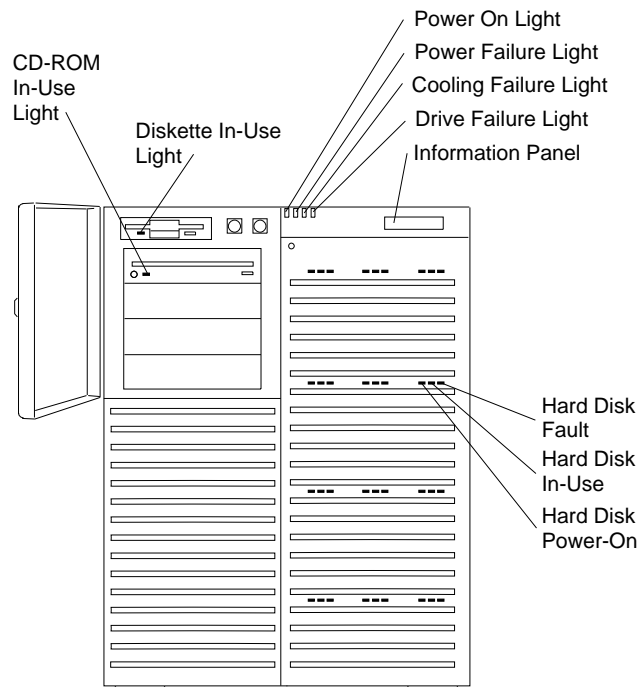
Removing Internal Drives

Removing a Hot-Swap Drive

Notes:

1. To locate the hot-swap bays, see the first illustration given under “Removing Internal Drives” on page 180.
2. You do not have to turn off the server to remove a drive from the hot-swap bays.
3. Refer to the RAID adapter documentation for additional information about hot-swap drives.

Each drive has three indicator lights visible at the front of the server. Check the individual indicator lights to determine which drive is faulty and needs to be swapped out. To locate these lights, see the following illustration.



Removing Internal Drives

Note: Before you hot-swap a drive, make sure it is defective. If you partially or completely remove a good drive instead of a defective one, your server might lose valuable data.

This situation is especially relevant if you have a RAID adapter installed and you assigned RAID level 1 or 5 to the logical drives in your disk array. However, the RAID adapter can rebuild the data that you need, provided that certain conditions are met. Refer to the RAID adapter documentation for further details.

Table 6 describes the lights that indicate the status of the hard disk drives in the server.

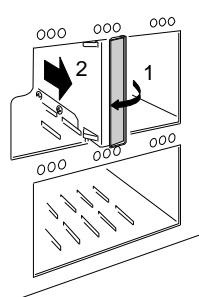
Indicator Light	State	Description
Hard Disk Power-On	Continuously on (green)	Hot-swap drive is present. Power is being applied to the drive.
Hard Disk In-Use	Flashing (green)	Hot-swap drive activity is occurring. Data is being read from or written to the drive. Power is being applied to the drive.
Hard Disk Fault	Continuously on (amber)	Hot-swap drive has a fault. The indicator light stays on until the RAID adapter clears it.
Hard Disk Fault	Flashing (amber)	Rebuild is in process. Do not remove the drive.

Note: When the indicator light indicates a drive fault, you can replace a hot-swap drive without turning off the server.

Removing Internal Drives

To remove a drive from the hot-swap bays, do the following steps:

1. Find the defective drive that you plan to remove.
2. Ensure that you have selected the correct drive for removal by verifying that the amber indicator light above the drive is illuminated.
3. Grasp the plastic lever on the drive carrier and pull the lever toward you.
4. Remove the drive carrier **2** from the bay **1** and place it on a static-protective surface.



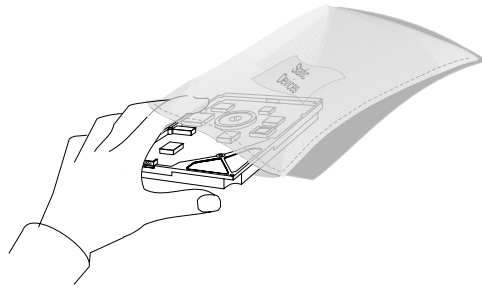
5. If you are not installing or removing another hot-swap drive, continue with the next step.
6. Go to Table 12 on page 286 and update the drive information; then, return here.



7. Remove the drive from the carrier:
 - a. Remove the four screws that hold the drive to the carrier. Save the screws for later use.

Removing Internal Drives

- b. Remove the carrier from on top of the drive.
- c. Place the drive in a static-protective bag and store it in a safe place.



- d. If you are installing another drive in the carrier, go to step 4 on page 175. Otherwise, continue with the next step.
8. Push the plastic lever to the right until it locks around the small metal posts.
9. Close the EMI metal panel and secure it with the three thumbscrews.
10. To restrict access to the bays, insert and lock a padlock through the holes at the left edge of the EMI panel.
11. If your server has a RAID adapter installed, refer to the RAID adapter documentation for details about configuration requirements. Record the RAID configuration information in the appropriate tables in “Installed Device Records” on page 280.
12. If you are removing another hot-swap drive, return to step 1 on page 190.
13. If you are installing another hot-swap drive assembly, slide the drive assembly vertically into the target bay until the drive connects to the backplane, and move the lever to the locked position.
14. If you are replacing an empty drive carrier in the bay, slide the drive carrier into the target bay until it is approximately level with the front of the bay; then, push the plastic lever to the right until it locks around the small metal posts.

Removing Internal Drives

What to do next?

- Installing a microprocessor? — Go to “Installing a Microprocessor” on page 86.
- Removing a microprocessor? — Go to “Removing a Microprocessor” on page 103.
- Installing memory-module kits? — Go to “Installing Memory-Module Kits” on page 113.
- Removing memory-module kits? — Go to “Removing Memory-Module Kits” on page 124.
- Installing video memory? — Go to “Installing Video Memory” on page 131.
- Replacing the real-time clock? — Go to “Replacing the Real-Time Clock” on page 137.
- Installing an adapter? — Go to “Installing Adapters” on page 143.
- Removing an adapter? — Go to “Removing Adapters” on page 151.
- Installing a 5.25-inch removable-media drive? — Go to “Installing a 5.25-inch Removable-Media Drive” on page 165.
- Installing a hot-swap drive? — Go to “Installing a Drive in a Hot-Swap Bay” on page 173.
- Removing a 5.25-inch removable-media drive? — Go to “Removing a 5.25-Inch Removable-Media Drive” on page 181.
- Installing a power supply? — Go to “Adding Power Supplies” on page 194.
- Removing a power supply? — Go to “Removing Power Supplies” on page 197.
- Installing or removing a security feature? — Go to “Security Procedures” on page 200.
- No internal devices to install or remove? — Go to “Completing the Installation” on page 201.

Removing Internal Drives

- Installing an external option? — Go to “Connecting External Options” on page 207.
- Running the System Configuration Utility to initialize new options? — Go to “Using the System Configuration Utility Program” on page 45.

Adding Power Supplies

Before you begin:

Be sure you have:

- Read “Electrical Safety” on page 75 and “Handling Static-Sensitive Devices” on page 77 (or your safety booklet).
- Turned off peripheral devices (see “Preparing to Install Options” on page 78).

9



CAUTION:

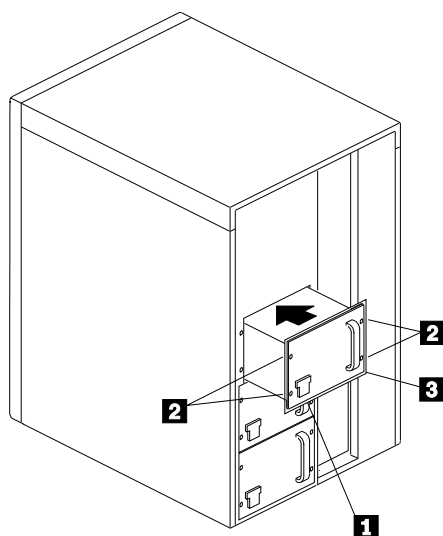
Power supplies are easy to install and remove, but they are not hot-swappable. Always disconnect all server power cords and all power supply power cords before you remove or install a power supply.

Your server comes with two nonredundant power supplies. You may add a third power supply to generate redundant power. After you install power supplies, check the power-supply status indicators to verify that the power supplies are operating properly. See “Identifying Problems through Status Indicators” on page 258 for details.

Adding Power Supplies

To add a power supply, do the following steps:

1. Locate the cover on the power-supply bay (at the back of the power-supply chassis).
2. Remove the four screws from the cover.
3. Remove the power-supply cover and save for future use.
4. Support the power supply with the handle **3** on the back.
5. Slide the new or replacement power supply into the chassis.
6. Install the four screws (**2** in the following figure) to secure the power supply.



7. Connect the AC power cord to the back of the chassis. A spring-loaded interlock at the AC receptacle **1** prevents the power supply from being removed unless the power cord has been removed.
8. Align the power-supply cover with the power-supply bay opening.
9. Place the cover over the bay.
10. Reinstall the screws that you removed from the power-supply cover.

Adding Power Supplies

What to do next?

- Installing a microprocessor? — Go to “Installing a Microprocessor” on page 86.
- Removing a microprocessor? — Go to “Removing a Microprocessor” on page 103.
- Installing memory-module kits? — Go to “Installing Memory-Module Kits” on page 113.
- Removing memory-module kits? — Go to “Removing Memory-Module Kits” on page 124.
- Installing video memory? — Go to “Installing Video Memory” on page 131.
- Replacing the real-time clock? — Go to “Replacing the Real-Time Clock” on page 137.
- Installing an adapter? — Go to “Installing Adapters” on page 143.
- Removing an adapter? — Go to “Removing Adapters” on page 151.
- Installing an internal drive? — Go to “Installing Internal Drives” on page 156.
- Removing an internal drive? — Go to “Removing Internal Drives” on page 180.
- Installing a power supply? — Go to “Adding Power Supplies” on page 194.
- Removing a power supply? — Go to “Removing Power Supplies” on page 197.
- Installing or removing a security feature? — Go to “Security Procedures” on page 200.
- No internal devices to install or remove? — Go to “Completing the Installation” on page 201.
- Installing an external option? — Go to “Connecting External Options” on page 207.

Removing Power Supplies

Before you begin, be sure you have:

- Read “Electrical Safety” on page 75 and “Handling Static-Sensitive Devices” on page 77 (or your safety booklet).
- Turned off peripheral devices (see “Preparing to Install Options” on page 78).

9



CAUTION:

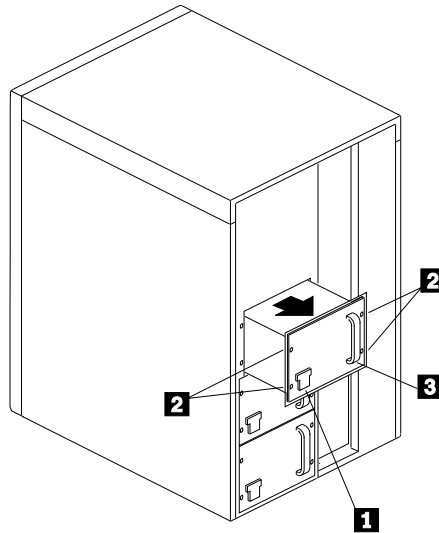
Power supplies are easy to install and remove, but they are not hot-swappable. Always disconnect all server power cords and all power supply power cords before you remove or install a power supply.

To remove a power supply, do the following steps:

1. Locate the cover on the power-supply bay (at the back of the power-supply chassis).
2. Remove the four screws from the cover.
3. Remove the power-supply cover and save for future use.

Removing Power Supplies

4. Unplug the power cord from the back of the chassis. A spring-loaded interlock at the AC receptacle **1** prevents the power supply from being removed unless the power cord has been removed.
5. Remove the four screws **2** and store them in a safe place.



6. Grasp the handle **3** on the power supply; then, slide it out of the chassis.
7. Place the power supply in a static-protective container and store it in a safe place.
8. Align the power-supply cover with the power-supply bay opening.
9. Place the cover over the bay.
10. Reinstall the screws that you removed from the power-supply cover.

What to do next?

- Installing a microprocessor? — Go to “Installing a Microprocessor” on page 86.
- Removing a microprocessor? — Go to “Removing a Microprocessor” on page 103.
- Installing memory-module kits? — Go to “Installing Memory-Module Kits” on page 113.
- Removing memory-module kits? — Go to “Removing Memory-Module Kits” on page 124.
- Installing video memory? — Go to “Installing Video Memory” on page 131.
- Replacing the real-time clock? — Go to “Replacing the Real-Time Clock” on page 137.
- Installing an adapter? — Go to “Installing Adapters” on page 143.
- Removing an adapter? — Go to “Removing Adapters” on page 151.
- Installing an internal drive? — Go to “Installing Internal Drives” on page 156.
- Removing an internal drive? — Go to “Removing Internal Drives” on page 180.
- Installing a power supply? — Go to “Adding Power Supplies” on page 194.
- Removing a power supply? — Go to “Removing Power Supplies” on page 197.
- Installing or removing a security feature? — Go to “Security Procedures” on page 200.
- No internal devices to install or remove? — Go to “Completing the Installation” on page 201.
- Installing an external option? — Go to “Connecting External Options” on page 207.

Security Procedures

Security Procedures

Your server is equipped with security features to help prevent theft or unauthorized use of your server. Your *User's Reference* contains a complete explanation of these features. To use or change some of these features, you might need to remove the server cover.

Two types of system passwords are available to prevent unauthorized access to your server. These are the administrative and user passwords. They are described in detail in your *User's Reference*. To set or change these passwords and other security-related parameters, follow the instructions given in Chapter 3, "Configuring Your Server" on page 39.

Completing the Installation

To complete your installation, you must reinstall the top and side covers, and reconnect all the cables that you disconnected in “Preparing to Install Options” on page 78. Follow the instructions in this section.

Installing the Top Cover

Before you begin:

Be sure you have:

- Read “Electrical Safety” on page 75 and “Handling Static-Sensitive Devices” on page 77 (or your safety booklet).
- Turned off peripheral devices (see “Preparing to Install Options” on page 78).

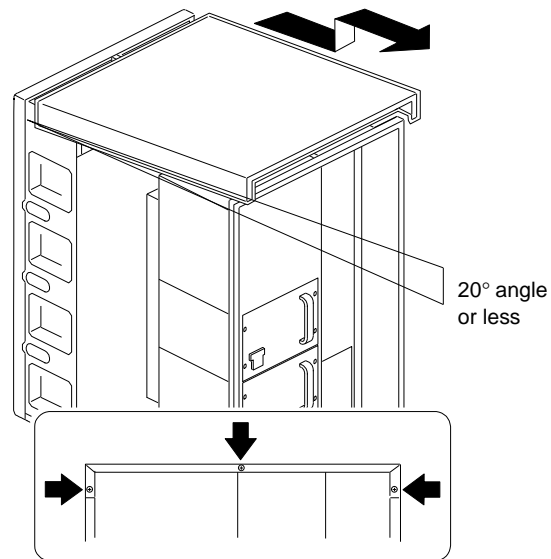
12 Attention: Do not damage or displace the electromagnetic interference (EMI) gaskets mounted on the cover. Replace any damaged gaskets, or your server might not meet EMI requirements.

To install the server top cover, do the following steps:

1. Before installing a side cover, make sure that you have not left loose tools or parts inside the server. Check that all cables, adapters, and other components are installed and seated correctly.
2. Lower the cover with the front edge about one inch back from the bezel edge. The leading corners of the cover should be outside the chassis metal.
3. Pull the cover toward the back slightly to make sure that it is aligned correctly.

Installing the Top Cover

4. Slide the front edge of the cover forward under the edge of the bezel.



5. Attach the three screws that you removed in step 1 on page 83 to the back edge of the top cover. Tighten the screws firmly.

Installing the Side Covers

Before you begin:

Be sure you have:

- Read “Electrical Safety” on page 75 and “Handling Static-Sensitive Devices” on page 77 (or your safety booklet).
- Turned off peripheral devices (see “Preparing to Install Options” on page 78).

11 Attention: For correct cooling and airflow, always replace the top and side covers before turning on the server. Operating the server with the covers removed might damage server components.

12 Attention: Do not damage or displace the electromagnetic interference (EMI) gaskets mounted on the cover. Replace any damaged gaskets, or your server might not meet EMI requirements.

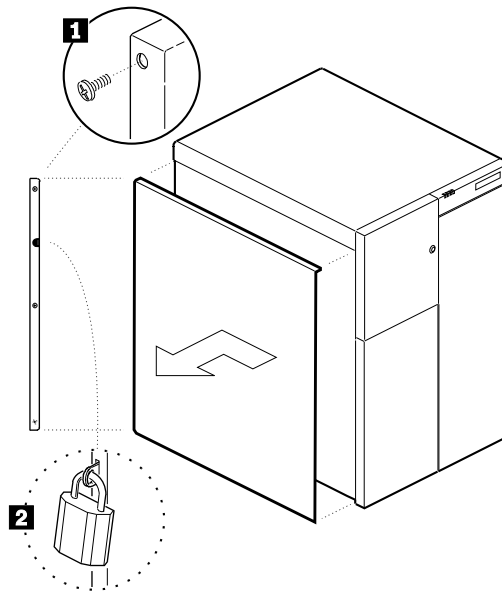
Note: You must install the top cover before you can install the side covers.

To install either of the server side covers, do the following steps:

1. Before installing a side cover, make sure that you have not left loose tools or parts inside the server. Check that all cables, adapters, and other components are installed and seated correctly.
2. Align the cover so that the padlock slot at the back edge fits over the loop at the back edge on the chassis.

Installing the Side Covers

3. Align the top and bottom rows of tabs on the cover with the slots in the chassis; then, carefully push the cover inward.
4. Slide the cover toward the front of the server, so that the tabs engage firmly in the slots.
5. Attach the three screws **1** that you removed in step 2 on page 81 to the back edge of the side cover. Tighten the screws firmly.
6. To prevent unauthorized access inside the server, purchase and install two padlocks **2**, using the loop at the back of each side cover.

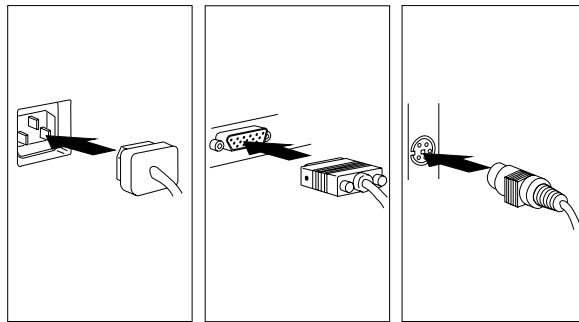


Installing the Side Covers

7. Connect all cables to the back of the server; then, plug all power cords into properly grounded electrical outlets.

Notes:

- a. If you are in the United Kingdom and have a modem or fax machine attached to your server, reconnect the telephone line *after* you plug in the power cords.
- b. If necessary, you can refer to the system-board layout in “The System Board” on page 288 for connector locations.



Installing the Side Covers

What to do next?

- Installing an external option? — Go to “Connecting External Options” on page 207.
- No external options to install?
 - If you installed options during the initial setup of your server, go to “Installation Checklist” on page 37 to complete the installation procedure; then, return here.
 - If you installed hot-swap drives, you might need to update your server configuration parameters.
 - If you removed memory modules or internal drives, you must run the Setup program. See Chapter 3, “Configuring Your Server” on page 39 for instructions.
 - If you removed an ISA or EISA adapter, you must run the System Configuration Utility program. See Chapter 3, “Configuring Your Server” on page 39 for instructions.
 - Device drivers to install? (The instructions that come with the option will tell you if device drivers are required and how to install them.) If you do not need to install any device drivers or configure the system, your server is ready to use.

Connecting External Options

Before you begin:

Read “Electrical Safety” on page 75 and “Handling Static-Sensitive Devices” on page 77 (or your safety booklet).

To connect external options (printer, scanner, SCSI devices, and so on) to your PC Server 704, see the documentation that comes with the options.

Connecting External SCSI Devices

The IBM PC Server Enterprise Storage Expansion Enclosure is one of several SCSI storage enclosures that you can attach to the PC Server 704. If you want to attach this device to your server, use the PC Server .8 mm to 68-Pin HD SCSI Cable.



Note: If your server has a RAID adapter installed, you can use the external connector on the RAID adapter to attach external devices. Otherwise, you must install an additional SCSI-2 adapter that has an external connector.

Connecting External Options

Cabling Requirements

A 16-bit (wide) SCSI cable connects each hot-swap backplane to an integrated SCSI-2 controller on the system board; and an 8-bit SCSI cable connects the CD-ROM drive to the 8-bit connector on the top backplane. The 8-bit cable connected to the CD-ROM drive has two empty connectors that you can use to support additional 8-bit SCSI devices in the upper-left front bays.

If you plan to install external SCSI devices, you must order an additional SCSI cable and a SCSI-2 adapter. That is, to use external devices, you must connect them to an optional SCSI-2 adapter, using a SCSI cable.

Each SCSI-2 integrated controller can support a total of 14 devices, provided that you do not exceed the maximum cable lengths. Refer to your RAID adapter documentation to determine the number of internal and external connectors, channels, and SCSI devices that your RAID adapter supports.

If you are using a SCSI data transfer rate greater than 5 MB per second, the maximum length of the SCSI bus (cable) must not exceed 3 meters (9.8 feet). If you are using a SCSI data transfer rate of 5 MB per second or slower, the maximum length of the SCSI bus cable must not exceed 6 meters (19.7 feet). These lengths apply to the combined lengths of the internal and external cables. Adhering to these standards ensures that your server operates properly.

Before you install external SCSI devices, you must have the correct external SCSI cables. The cables must have the proper connector for the SCSI-2 adapter on one end, and the proper connector for the first external device on the other end. To select and order the correct cables for use with external devices, contact your IBM reseller or IBM marketing representative.

Connecting External Options

Setting SCSI IDs for External Devices

You must set a unique SCSI ID for each SCSI device that is connected to a SCSI-2 controller, so that the SCSI-2 controller can identify the devices and ensure that different devices do not attempt to transfer data at the same time. Therefore, do not set the SCSI IDs for external devices to the values that you use for internal devices. Refer to the instructions that come with the SCSI devices for more information about setting a SCSI ID.

Notes:

1. If you install a SCSI-2 adapter, you can use the same SCSI IDs that you use for the integrated SCSI-2 controllers.
2. The two integrated SCSI-2 controllers on the system board operate independently. Each controller can support a maximum of 14, 8-bit or 16-bit SCSI devices. The 16-bit devices support SCSI IDs 0 to 15, and the 8-bit devices support SCSI IDs 0 to 7.

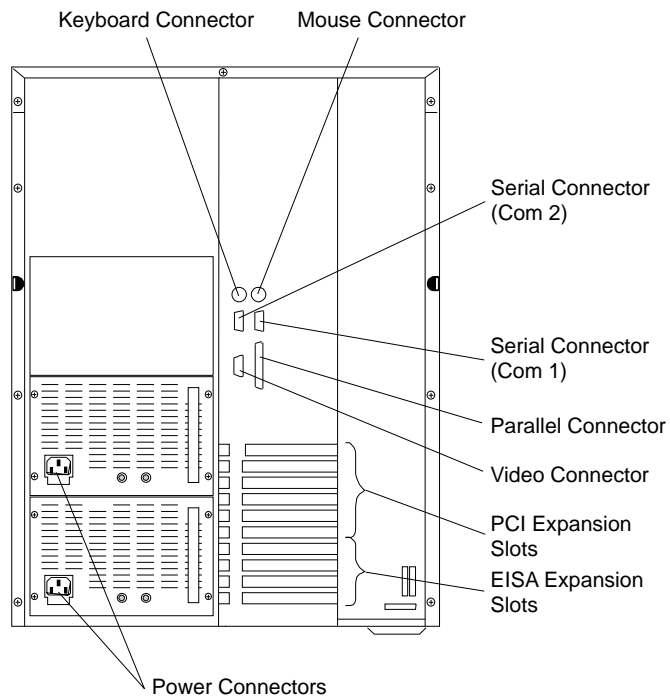
Your server automatically sets SCSI IDs for hot-swap drives. These IDs are set according to the jumper settings on the hot-swap backplanes. The SCSI ID for the preinstalled CD-ROM drive is set to 5, the SCSI ID for the backplane is set to 6, and the SCSI ID for the SCSI-2 controller is set to 7. The processing sequence for SCSI devices is set according to their IDs.

Connecting External Options

Installation Procedure

To attach an external device:

1. Turn off the server and all attached devices.
2. Follow the instructions that come with the option to prepare it for installation and to connect it to the server.
3. Go to Table 13 on page 287 to record the type of external device that you installed and the location into which it is installed; then, go to “What to do next?” on page 211 to determine your next step.



What to do next?

- If you installed options during the initial setup of your server, go to “Installation Checklist” on page 37 to complete the installation procedure; then, return here.
- If you installed hot-swap drives, you might need to update your server configuration parameters.
- Go to Chapter 3, “Configuring Your Server” on page 39 to see if you need to configure your server.

Note: If your server has a RAID adapter installed, refer to the RAID adapter documentation to see if you need to update your RAID configuration information; then, go to Chapter 3, “Configuring Your Server” on page 39 for additional details about configuration.

- If you removed memory modules or internal drives, you must run the Setup program. See Chapter 3, “Configuring Your Server” on page 39 for instructions.
- If you installed or removed an ISA or EISA adapter, you must run the System Configuration Utility program. See Chapter 3, “Configuring Your Server” on page 39 for instructions.
- Device drivers to install? (The instructions that come with the option will tell you if device drivers are required and how to install them.) If you do not need to install any device drivers or configure the system, your server is ready to use.

Connecting External Options

Chapter 5. Solving Problems

This chapter contains information to help you solve some of the simpler problems you might have with your IBM PC Server 704. For more complex technical problems, see Chapter 6, “Getting Help, Service, and Information” on page 269.

This chapter contains:

Getting Started	213
Overview of the Diagnostic Tools	213
Power-On Self-Test (POST)	215
POST Beep Codes	216
Test Programs	216
Error Messages	217
Troubleshooting Charts	218
Option Diskettes	218
About the Test Programs	219
The Main Menu of the Diagnostic Diskette	220
Program Navigation	221
IntruderAlert	225
Starting the Test Programs	225
Using the Module Tests	227
Changing Selected Tests in Test Groups	228
Creating Test Scripts	228
Test Options	229
POST Error Message Table	232
SCSI Messages	243
Beep Codes	244
Troubleshooting	245
Troubleshooting the 100/10 PCI Ethernet Adapter	253
Troubleshooting Other Network Adapters	256
Identifying Problems through Status Indicators	258
Checking the System for Damage	261
After Dropping It	261
After Spilling Liquid on It	262
Installing Additional Test Programs	263
Using the Utility Programs	265
Formatting Diskettes	265
Using the File Editor	265

Overview of the Diagnostic Tools

Getting Started

If you are not familiar with the diagnostic tools and programs, continue reading this chapter; then, return here. If you are familiar with these topics, select the appropriate instructions from the following list:

- To interpret an error message (for example, you have a **0370** on the screen), go to “POST Error Message Table” on page 232.
- If you want to verify that the system is operating correctly, go to “About the Test Programs” on page 219.
- For more information about a hardware failure (for example, keys on the keyboard not working) or a screen prompt, go to “Troubleshooting” on page 245.

18 Attention: To avoid personal injury or damage to your system when following the procedures in this chapter, review and observe all safety and electrostatic precautions provided in the *PC Server 704 Safety Information* booklet.

Overview of the Diagnostic Tools

System problems can be caused by hardware, software, or user error. (An example of a user error is pressing the wrong key.) You might be able to solve the problem yourself or provide helpful information to a service technician.

The following tools are available to help you identify and resolve hardware-related problems:

- Power-on self-test (POST)
- POST beep codes
- Test programs
- Error messages
- Troubleshooting charts
- Option Diskettes

Power-On Self-Test (POST)

Each time you turn on the system, it performs a series of tests that check the operation of the system and some options. This series of tests is called the *power-on self-test*, or *POST*. POST does the following:

- Checks some basic system-board operations
- Checks the memory operation
- Starts the video operation peripherals are working
- Detects and initializes ISA devices
- Detects and configures EISA devices
- Detects and configures PCI devices
- Verifies that the diskette drive, hard disk drive, and other installed devices are working

Check the indicator lights on the front of the server and the back of the power supplies. Verify that all of the amber LEDs are off. If an amber LED is on, see “Identifying Problems through Status Indicators” on page 258. Verify that all server devices are operating properly. If a device is not operating properly, ensure that it is not defective and is installed correctly. Replace defective devices and reinstall any device that is not installed correctly.

If POST finishes without detecting any problems, a single beep sounds and the first screen of your operating system or application program appears. If no operating system is installed, the system prompts you to insert a startable diskette. Insert a diskette, and install an operating system. Follow the directions in your operating-system documentation and on the screen. Also see Chapter 2, “Installing Your Software” on page 27.

If POST detects a problem, an error message appears on your screen. A single problem can cause several error messages to appear. When you correct the cause of the first error message, the other error messages probably will not appear on the screen the next time you turn on the system.

Overview of the Diagnostic Tools

POST Beep Codes

POST generates one or more beeping sounds to indicate that the tests detect an error.

One beep and the appearance of text on the monitor indicate successful completion of the POST. If the server halts before POST completes, one or more beeps are emitted to indicate that POST detects an error.

Test Programs

The QAPlus/PRO test programs, developed by DiagSoft, Inc. for IBM, are the primary method of testing the IBM PC Server 704. These programs require minimal interaction from you. You can use them to test the IBM components of the system and some external devices. The amount of time required to test all components depends on the number of components. The more optional adapters and devices you have attached to your system, the longer the testing takes.

If you cannot determine whether a problem is caused by the hardware or by the software, you can run the test programs to confirm that the hardware is working correctly.

The programs on the Diagnostic Diskette include the following:

- Diagnostic Tests

The diagnostic tests identify most problems associated with the major components of your system. These programs test the system board, hard disk drives, diskette drives, CD-ROM drives, RAM, serial and parallel ports, video adapter, printer, keyboard, and mouse.

Test options let you run groups of tests in a batch, specify parameters to use for each test (for example, video modes, port addresses, and so on), specify the number of passes you want to run (one to continuous), log the test results to a text format file, and save all test settings for future use.

These test programs also allow you to view the server configuration information. For example, you can view the

Overview of the Diagnostic Tools

IRQ/DMA assignments, memory usage, device drivers, and so on.

- Utility Programs

The Diagnostic Diskette also contains utility programs, such as an ASCII text editor and a diskette format program.

Error Messages

Error messages indicate that a problem exists; they are not intended to be used to identify a failing part. Troubleshooting and servicing of complex problems indicated by error messages should be performed by a trained service technician. Hardware error messages that appear on the screen can be text, numeric, or both.

Messages generated by your software—the operating system or application programs—generally are text messages, but they also can be numeric. Basically, there are four types of error messages. These include POST error messages, diagnostic error messages, POST beep codes, and software-generated messages.

POST Error Messages

POST error messages appear when, during startup, POST finds problems with the hardware or detects a change in the hardware configuration. A list of these error messages is given in “POST Error Message Table” on page 232.

POST Beep Codes

POST beep codes are sounds emitted from the speaker, if POST finds a problem. One beep indicates the POST completed successfully. If the server halts while running POST, one or more beeps indicate that a problem was found by the POST. A list of the beep error codes is given in “Beep Codes” on page 244.

Overview of the Diagnostic Tools

Diagnostic Error Messages

Diagnostic error messages appear when a test program finds a problem with a hardware option. Normally, these messages are text, but they can be numeric. The test programs will generate one of the following return codes:

- 0** A return code of “0” indicates that the device passed its test.
- 1** A return code of “1” indicates that the device failed its test.
- 2 or higher** A return code of “2” or higher indicates that the test stopped.

Software-Generated Error Messages

These messages appear if a problem or conflict is found by an application program, the operating system, or both. For an explanation of these messages, refer to the information that comes with your software package.

Troubleshooting Charts

The troubleshooting charts given in “Troubleshooting” on page 245 list symptoms of problems (for example, perhaps the symptom is “the mouse is not working”), as well as steps to correct the problems.

Option Diskettes

An optional device or adapter might come with a diskette. Option Diskettes usually contain diagnostic files or configuration files that the system needs to recognize and activate the option.

If your optional device or adapter comes with an Option Diskette, you might need to install some configuration (.CFG) files or diagnostic files (.EXE or .COM). See Chapter 4, “Installing Options” on page 73 for instructions on installing the configuration or see “Installing Additional Test Programs” on page 263 for installing diagnostic files.

About the Test Programs

This section includes useful information about navigating through the test programs, as well as procedures for starting and stopping them. These programs are designed to test the IBM PC Server 704. Non-IBM products tested with these programs might present misleading error messages or unexpected system responses. If you want to test a non-IBM product, refer to the information that comes with that product.

Note: You might need to install a wrap connector on your active parallel port to obtain accurate parallel-port test results. If you do not have a wrap connector, contact your IBM reseller or IBM marketing representative.

About the Test Programs

The Main Menu of the Diagnostic Diskette

The Main Menu is the starting point for all of the diagnostic tests. It contains the following choices:

- **Diagnostics:** When you select this choice from the Main Menu, the Diagnostics Menu appears. The Diagnostic Menu contains the following selections:
 - **Quick Check** automatically checks the hardware configuration and builds a group of tests based on the configuration check. The diagnostic program then runs the tests for each of the devices or modules found during the configuration check. Upon completion of the Quick Check, you are prompted to: Press any key to continue. Pressing any key at that point brings you back to the Diagnostic Menu.
 - **Module Tests** allow you to more rigorously test an individual module (or device such as a diskette drive) or specify a group of tests for several modules. In addition, you can specify how many times to run an individual test and how the test program should note and log any errors it finds. See “Using the Module Tests” on page 227 for more information about running the module tests.
 - **Options** allows you to set or change defaults that affect the reporting, error logging, and presentation of the error information. For more information about the options available, see “Test Options” on page 229.
- **System Info:** When you select this choice from the Main Menu, the System Info Menu appears. The System Info Menu allows you to view the server hardware and software configuration information. For example, you can view the IRQ/DMA assignments, memory usage, device drivers, and so on.
- **Reports:** When you select this choice from the Main Menu, the Reports Menu appears. The Reports Menu allows you to print the system information.
- **Utilities:** When you select this choice from the Main Menu, the Utilities Menu appears. The Utilities Menu provides access to additional programs on the Diagnostic Diskette. These utility programs include: RAM Chip Locator, the File Editor, and

About the Test Programs

Format Diskette. For more information about the File Editor, see “Using the File Editor” on page 265.

- **Exit:** Select this choice to exit from the Diagnostic Diskette.

Program Navigation

You can maneuver within the test programs by typing the first letter of a menu choice, using the function keys, or using command-line options.

Using the Function Keys

You can use the following keys to maneuver within the test programs:

Enter	Selects an item, runs the test module, or runs the test.
Down Arrow (↓)	Moves the cursor down.
Up Arrow (↑)	Moves the cursor up.
F1	Displays the appropriate Help information. Use the Up Arrow (↑) or Down Arrow (↓) key to scroll through the information. Pressing F1 from within a Help screen provides a Help index from which you can select different categories. One of the important help categories is function key usage. Pressing Esc exits Help and returns to where you were previously.
Esc	Returns to the previous menu.

Additional keys are active in the Test Module Selection and Test Group screens. These include:

Tab	Moves the highlight bar (or cursor) to the test group (or moves to parameters).
Spacebar	Toggles modules on or off (or toggles tests on or off).
F2	Displays current test results log.

About the Test Programs

- F10** Displays the Local Menu when the Module Tests Menu is displayed or from individual Test Group test screens. Local Menu includes the following selections:
- Test Options serves as a shortcut to accessing and changing the test options without having to back up through menus.
 - Single Test moves from the **Module Test Menu** to the relevant Test Group window for test selection.
 - Next and Previous LUN changes from one Logical Unit Number (LUN) or device to another (for example, HD1 to HD2, or Base Memory to Extended Memory).
- + Displays next logical unit number (for example, COM1, COM2, or First Microprocessor, Second Microprocessor, and so on).
- Displays previous logical unit number.

About the Test Programs

Using the Command Line Options

The following Command Line Options allow you to define specific conditions for running the diagnostic programs at startup time.

At the operating system prompt, type QAPRO /XXX (where /XXX represents one of the following from the list below); then, press

Enter:

- | | |
|------------------|---|
| /B&W | The /B&W option forces the program to load in black and white (monochrome) mode. |
| /LOG=file | The /LOG=file option directs the test programs to start using a specified Error Log file. |
| /INT10 | The /INT10 option forces the test programs to use the Basic Input/Output System (BIOS) for screen writes. |
| /OXXX | The /OXXX option, where XXX=test group (for example, MBD/MEM/VID/HDU/FDU /KBD/COM/LPT, and so on), omits the designated test group from testing. (See /IXXX for a list of valid test groups.) |
| /OALL | The /OALL option omits all test groups from testing. (See /IXXX for more information.) |
| /IXXX | The /IXXX option, where XXX=test group, includes the designated test group. When used in conjunction with the /OALL option, you can specify the tests that you want to include. These options are helpful if you have insufficient memory available to load all of the test programs simultaneously, or if you want to test specific test groups. |

The valid test groups are:

- | | |
|------------|----------------------|
| LPT | Parallel port |
| COM | Serial ports |
| HDU | Hard disk (IDE only) |
| FDU | Diskette drive |
| VID | Video |
| MBD | System board |

About the Test Programs

KBD Keyboard
PDV Pointing device or mouse
MEM Memory
SCU SCSI
CDR CD-ROM
SYS System information/Utilities

You can include this option multiple times.
For example, to run the keyboard, SCSI, and
CD-ROM test groups, type:
QAPRO.EXE /OALL /IKBD /ISCU /ICDR

/USRCONFIG=*file* The **/USERCONFIG=*file*** option tells the test programs to look for a user diagnostic configuration file other than the default USERDIAG.CFG.

/SCRIPT=*file*[,R] The **/SCRIPT=*file*[,R]** option with the [,R] runs the selected script.

Note: You can use a “-” instead of a “/” as the command line switch.

IntruderAlert

Each time you start the diagnostic programs, IntruderAlert checks for damage to the Diagnostic Diskette. If a virus or program alteration is detected, the diagnostic programs will not load.

To suspend IntruderAlert and continue loading the diagnostic programs, press **Esc**.

Starting the Test Programs

To start the test programs from diskette:

Note: Use your backup copy of the Diagnostic Diskette to run the diagnostic programs.

1. Insert the backup copy of the Diagnostic Diskette into the primary diskette drive (usually drive A).
2. Turn on the system. The IBM PC Server 704 logo appears on your screen, followed by the system running POST. When POST completes, QAPlus/PRO for IBM appears on your screen.
3. Press any key to continue. The Welcome window appears.
4. Press any key to continue.

Note: IntruderAlert starts and runs automatically after you press any key. If IntruderAlert detects a problem with the diagnostic diskette, it will automatically stop further testing. See "IntruderAlert" for more information.

5. Press **Enter**.

Several analysis programs start and run automatically. When they complete, the Main Menu appears.

6. Use the Up Arrow (↑) or Down Arrow (↓) key to move the highlight bar to your desired Main Menu selection.
7. Press **Enter**.

Note: To stop running a specific test or stop testing after you have started a test, press **Esc** while the test is running. The test pauses at the first possible opportunity, and the Skip/Abort Test Menu appears.

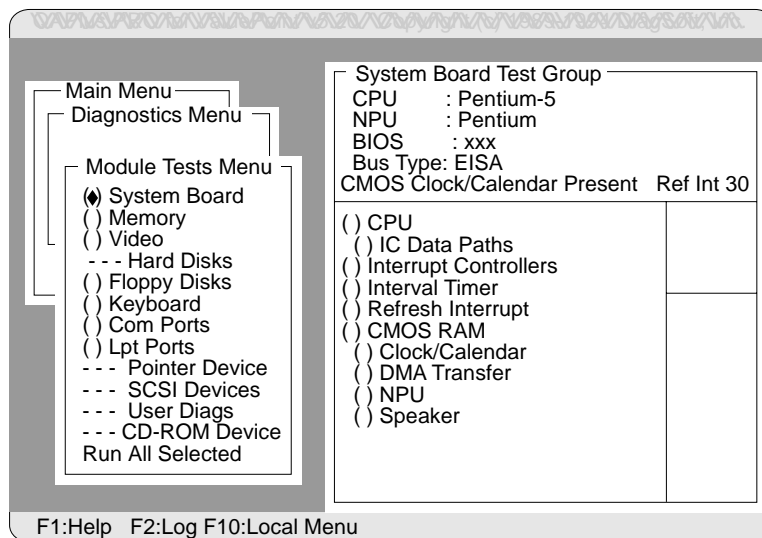
Starting the Test Programs

The Test Group Window

When you select **Quick Tests** or **Module Tests** from the Diagnostic Menu, a Test Group window appears. (For Module Tests, if you press Tab, the window expands to a full screen.) The Test Group window shows the attributes, parameters, and selected tests of the corresponding Test Group. The diamond “◆” mark indicates a module or device selected for testing.

Test Group Specifications: In the upper portion of the Test Group window are the specifications for the related test group.

The following illustration is an example of the Test Group Window when the System Board is selected from the Module Tests Menu.



Using the Module Tests

To start the Module Tests from the Main Menu of the Diagnostic Diskette:

1. Start the diagnostic programs. If you do not know how to do this, see “Starting the Test Programs” on page 225.
2. Select **Diagnostic** from the Main Menu; then, press **Enter**.
3. Select **Module Tests**, then press **Enter**. Use the Up Arrow (↑) or Down Arrow (↓) key to move the highlight bar from one selection to the next within the Module Tests menu.
4. To select or deselect a test, use the Spacebar (the Spacebar toggles your selection on or off). When you have selected a test, a ♦ appears next to the selection.
5. If you want to run all of the selected tests, you can do so by moving the highlight bar to the last choice, **Run All Selected Modules**, then pressing **Enter**. If you want to run each test, one at a time, press **Enter** at the highlight bar of the desired selection.

Note: An asterisk (*) directly adjacent to an item indicates that running that test might damage your data. Make sure to back up all of your data *before* running the tests.

6. When you are done, press **Esc** to return to the Test Group window.

Note: As you move the highlight bar up or down the selection menu, the Test Group window to the right changes to correspond to the highlighted module.

Starting the Test Programs

Changing Selected Tests in Test Groups

To add or remove a test from a Test Group:

1. In the Module Tests Menu, use the Up Arrow (↑) or Down Arrow (↓) key to move the highlight bar to your selection.
2. Press **Tab** to move into the expanded Test Group window.
3. Move the highlight bar to the test you want to select or deselect.
4. Press the Spacebar at the highlighted test to toggle between select (indicated by a “◆”) and deselect.

Note: An asterisk (*) directly adjacent to an item indicates that running that test might damage your data. Make sure to back up all of your data *before* running the tests.

5. Press **Enter**.

Creating Test Scripts

Scripting allows you to select specific groups of tests, testing parameters, and options. You can then save your selections for later use as a test *script*.

To set up a test script:

1. Select **Diagnostics** from the Main Menu; then press **Enter**.
2. Select **Module Tests**; then press **Enter**.
3. Select the test groups and specific tests.
4. Select **Save Script** (the last item on the Options Menu).
5. Type in a file name. The test program automatically adds the extension “QA.”
6. To load and run the test program with this test setting, type: QAPRO /SCRIPT-*Filename*,R and then, press **Enter**.

Note: Adding the “,R” runs the tests listed in the named Test Script. If this is omitted, the diagnostic program loads only the program with the test settings as previously saved in the chosen Script File.

Test Options

Each option that appears on the Options Menu is briefly described below.

- **Halt on Error:** The default is **No**. If you select **Yes**, you can resume testing after a halt by pressing any key. If you select **No**, any error detected is logged (only if you enabled the Test Log) and the program continues testing without halting.
- **Beep on Error:** The default is **No**. If you select **Yes**, a beep sounds whenever the test program detects an error.
- **Lap Count:** This option allows you to set the number of times to run each group of tests. The default setting is 1. You can enter a number from 0 to 10. The looping is controlled on a block basis, not on an individual test basis. Therefore, if you select tests A, B, and C and the Lap Count is set to 3, the test sequence is ABC/ABC/ABC.
- **Pause Control:** You can choose to have the test programs pause between test modules and wait for you to press any key to continue. Also, you can choose to have the test program wait for a user response to indicate if the video tests pass. The default setting is **Pause Between**. The available choices are **Pause Between** and **No Pause**. If you choose **No Pause**, the test programs continue testing without a pause from one video test to the next, and from one test module to the next.
- **Test Log:** Allows you to select whether or not to do logging. You can select one of the following five choices:
 - No Logging
 - COM1
 - LPT1
 - ASCII
 - .DBF

No Logging is the only selection that turns off Test Log. The other four selections enable Test Logging.

Starting the Test Programs

When Test Log starts, the test programs create a log with the following information:

- The date and time the log was opened
- The start and end times of each module tested and for each test selected for that module
- The results of testing
- The date and time that the log was closed

Disabling the Test Log writes the date and time to the Test Log along with a message that the log was closed. Any Test Log is automatically closed upon exiting the program.

If you enable Test Log, the hardware configuration is automatically entered at the beginning of the log.

If you select **ASCII File**, the test programs prompt you to type in the name of the Test Log file. The test programs automatically assign the extension **.LOG** to the file if you do not specify a file-name extension. The file is stored in ASCII text format. You can then examine the file with most word processors at a later time.

If you select **.DBF File**, the test programs prompt you to fill in the information on an Open DBF File screen. This creates a new file or opens an existing data base compatible file to insert new information on the current test machine. The Machine Type, Serial Number, and Work Center lines identify the system that is being tested.

Note: If you plan to run hard disk tests and to do test logging, do the test logging on a drive other than the drive to be tested. If you log to a drive that is to be tested, the logging is disabled for the remainder of the test cycle.

Starting the Test Programs

- **Test Log Mode:** This choice determines the amount of data to be logged after you select COM1, LPT1, ASCII, or .DBF. The available options are LogAll or LogFail. LogAll logs all test information. LogFail logs only failures.
- **Log Message Queue:** Pressing F2 allows you to examine the test results to date via a Log Message Queue. This information is generated whether or not you select a Test Log. It does not, however, allow you to examine previous Test Logs.
- **Save Script:** This choice enables you to save a custom test script. See “Creating Test Scripts” on page 228 for a more detailed description of scripting.

POST Error Messages

POST Error Message Table

The following table shows error messages that might appear on the screen during the power-on self-test (POST).

Sometimes the first error to occur causes additional errors. In this case, the system displays more than one error message. Always follow the suggested action instructions for the *first* error message that appears.

POST error codes are also written to the PS/2-standard logging area in the Extended BIOS Data Area.

POST Message	Description
0002	The primary boot device could not be found. <i>Action:</i> Make sure that all cables to the device are securely connected. Start the System Configuration Utility and check that the first startup device is specified correctly. If the problem recurs, have the system serviced.
0010	Cache memory failed. <i>Action:</i> Have the system serviced.
0015	The primary output device could not be found. <i>Action:</i> Make sure that the cables to the device are securely attached, and that the device is specified correctly in the System Configuration Utility. If you find nothing wrong, but the problem remains, have the system serviced.
0016	The primary input device could not be found. <i>Action:</i> Make sure that the cables to the device are securely attached, and that the device is specified correctly in the System Configuration Utility. If you find nothing wrong, but the problem remains, have the system serviced.
0041	The ID for an EISA device does not match the slot. <i>Action:</i> Turn off the server, wait 30 seconds; then, turn the server on again. If the problem recurs, have the system serviced.

POST Error Messages

POST Message	Description
0043	<p>The EISA configuration is not valid for the slot.</p> <p><i>Action:</i> Start the System Configuration Utility and check for conflicts. If the problem recurs, have the system serviced.</p>
0044	<p>The EISA configuration is not assured!</p> <p><i>Action:</i></p> <ul style="list-style-type: none">• If you have just added, removed, or changed the location of an EISA or an ISA adapter, start the System Configuration Utility and update the configuration information. If the problem recurs, have the system serviced.• If you have not just added, removed, or changed the location of a device, run the test programs to identify the failing device. Then have the system serviced.
0045	<p>The EISA expansion board is not ready in the slot.</p> <p><i>Action:</i> Reseat the expansion board. If the problem recurs, have the system serviced.</p>
0047	<p>The EISA CMOS configuration is not set.</p> <p><i>Action:</i></p> <ul style="list-style-type: none">• If you have just added, removed, or changed the location of an EISA or an ISA adapter, start the System Configuration Utility and update the configuration information. If the problem recurs, have the system serviced.• If you have not just added, removed, or changed the location of a device, run the test programs to identify the failing device. Then have the system serviced.
0048	<p>An error occurred in the EISA checksum.</p> <p><i>Action:</i> Turn off the system and wait 30 seconds; then, turn it back on. If the problem recurs, have the system serviced.</p>
0049	<p>The EISA NVRAM is invalid.</p> <p><i>Action:</i> Turn off the system and wait 30 seconds; then, turn it back on. If the problem recurs, have the system serviced.</p>

POST Error Messages

POST Message	Description
0060	<p>The keyboard is locked. Please unlock it.</p> <p><i>Action:</i> Turn off the server; then, insert the System Configuration Utility into the primary diskette drive. When the password prompt appears, enter the administrative password.</p>
0070	<p>The date and time have not been set.</p> <p><i>Action:</i> Run the Setup program to set the correct date and time. To start the Setup program, turn on the server, or press Ctrl+Alt+Del to restart the server. When the IBM logo screen disappears, press F1 quickly, when prompted, to enter Setup. If the problem recurs, have the system serviced.</p>
0080	<p>An option ROM has a bad checksum.</p> <p><i>Action:</i> Turn off the system and wait 30 seconds; then, turn it back on. If the problem recurs, have the system serviced.</p>
0083	<p>The shadow of a PCI ROM failed.</p> <p><i>Action:</i> Turn off the system and wait 30 seconds; then, turn it back on. If the problem recurs, have the system serviced.</p>
0084	<p>The shadow of an EISA ROM failed.</p> <p><i>Action:</i> Turn off the system and wait 30 seconds; then, turn it back on. If the problem recurs, have the system serviced.</p>
0085	<p>The shadow of an ISA ROM failed.</p> <p><i>Action:</i> Turn off the system and wait 30 seconds; then, turn it back on. If the problem recurs, have the system serviced.</p>
0131	<p>Floppy drive A:</p> <p>The system is not able to start the diskette in the drive. The diskette might be damaged, incorrectly formatted, or inserted incorrectly.</p> <p><i>Action:</i> Try another startable diskette. If the problem recurs, have the system serviced.</p>

POST Error Messages

POST Message	Description
0132	<p>Floppy drive B:</p> <p>The system is not able to start the diskette in the drive. The diskette might be damaged, incorrectly formatted, or inserted incorrectly.</p> <p><i>Action:</i> Try another startable diskette. If the problem recurs, have the system serviced.</p> <p>If the problem recurs, have the system serviced.</p>
0135	<p>The floppy disk controller failed.</p> <p><i>Action:</i> Turn off the system and wait 30 seconds, then, turn it back on. If the problem recurs, have the system serviced.</p>
0140	<p>The shadow of the server BIOS failed.</p> <p><i>Action:</i> Turn off the system and wait 30 seconds; then, turn it back on. If the problem recurs, have the system serviced.</p>
0175	<p>The CPU modules are not compatible.</p> <p><i>Action:</i> Have the system serviced.</p>
0176	<p>The CPU failed. See Slot 1, CPU #1.</p> <p><i>Action:</i> Have the system serviced.</p>
0177	<p>The CPU failed. See Slot 1, CPU #2.</p> <p><i>Action:</i> Have the system serviced.</p>
0178	<p>The CPU failed. See Slot 2, CPU #1.</p> <p><i>Action:</i> Have the system serviced.</p>
0179	<p>The CPU failed. See Slot 2, CPU #2.</p> <p><i>Action:</i> Have the system serviced.</p>
0180	<p>The server is attempting to start with a failed CPU.</p> <p><i>Action:</i> Run the test programs to determine the cause of the problem and the action to take. If the problem recurs, have the system serviced.</p>
0191	<p>The CMOS battery has failed.</p> <p><i>Action:</i> Replace the real-time clock (see “Replacing the Real-Time Clock” on page 137).</p>

POST Error Messages

POST Message	Description
0195	<p>The CMOS system options have not been set.</p> <p><i>Action:</i></p> <ul style="list-style-type: none">• If you have just replaced the real-time clock on the system board, start the Setup program to set the correct date and time. If the problem recurs, have the system serviced.• If you have not just removed or replaced the real-time clock, have the system serviced.
0198	<p>The CMOS checksum is invalid.</p> <p><i>Action:</i> Have the system serviced.</p>
0289	<p>A change in the memory configuration occurred. Installing memory incorrectly, such as not installing memory modules in matched sets, can cause this problem. It can also occur if a memory module is defective.</p> <p><i>Action:</i> Ensure that the memory modules are installed properly (see "Installing Memory-Module Kits" on page 113). If the modules are properly installed, run the test programs to determine the cause of the problem and the action to take. If the test programs do not find the problem, have the system serviced.</p>
0295	<p>Address Line Short Detected.</p> <p><i>Action:</i> Have the system serviced.</p>
0297	<p>The memory size has decreased.</p> <p><i>Action:</i></p> <ul style="list-style-type: none">• If you have just removed memory from the server, start the System Configuration Utility. Save the new configuration information; then, restart the server. If the problem recurs, have the server serviced.• If you have not just removed memory, have the server serviced.
0299	<p>ECC Error Correction failed.</p> <p><i>Action:</i> Turn off the system and wait 30 seconds; then, turn it back on. If event logging is enabled, POST logs this event in nonvolatile flash memory. If the problem recurs, have the system serviced.</p>

POST Error Messages

POST Message	Description
0301	<p>ECC Single bit correction failed, Correction disabled.</p> <p><i>Action:</i> Turn off the system and wait 30 seconds; then, turn it back on. If event logging is enabled, POST logs this event in nonvolatile flash memory. If the problem recurs, have the system serviced.</p>
0302	<p>An ECC double bit error occurred.</p> <p><i>Action:</i> Turn off the system and wait 30 seconds; then, turn it back on. If event logging is enabled, POST logs this event in nonvolatile flash memory. If the problem recurs, have the system serviced.</p>
0310	<p>An ECC address failure occurred, in Partition #</p> <p><i>Action:</i> Turn off the system and wait 30 seconds; then, turn it back on. If event logging is enabled, POST logs this event in nonvolatile flash memory. If the problem recurs, have the system serviced.</p>
0370	<p>An error occurred during testing of the keyboard and its controller.</p> <p><i>Action:</i></p> <ul style="list-style-type: none">• Make sure that nothing is resting on the keyboard and pressing a key.• Verify that the keyboard cable is connected correctly to the keyboard and to the correct port on the system.• If you have just connected a new mouse or other pointing device, turn the system off and disconnect that device. Wait at least five seconds; then, turn on the system. If the error message goes away, replace the device. <p>If the problem recurs, have the system, keyboard, and cable serviced.</p>
0373	<p>POST detected a stuck key on the keyboard.</p> <p><i>Action:</i> Make sure that nothing is resting on the keyboard and pressing a key. If the message recurs, have the system serviced.</p>
0375	<p>The keyboard and the mouse have been swapped.</p> <p><i>Action:</i> Verify that the keyboard and mouse cables connected correctly to the correct ports on the server. If the message recurs, have the system serviced.</p>

POST Error Messages

POST Message	Description
0380	ECC SIMM failure, Board in slot #1 SIMM # <i>Action:</i> Reseat the memory modules on the memory board. If the problem recurs, have the system serviced.
0392	ECC SIMM failure, Board in slot #2 SIMM # <i>Action:</i> Reseat the memory modules on the memory board. If the problem recurs, have the system serviced.
0430	Timer Channel 2 Failure. <i>Action:</i> Turn off the system and wait 30 seconds; then, turn it back on. If event logging is enabled, POST logs this event in nonvolatile flash memory. If the problem recurs, have the system serviced.
0440	Gate-A20 Failure occurred. <i>Action:</i> Turn off the system and wait 30 seconds; then, turn it back on. If the problem recurs, have the system serviced.
0441	An unexpected interrupt occurred in Protected Mode. <i>Action:</i> Turn off the system and wait 30 seconds; then, turn it back on. If the problem recurs, have the system serviced.
0445	An error occurred in the Master Interrupt Controller. <i>Action:</i> Turn off the system and wait 30 seconds; then, turn it back on. If event logging is enabled, POST logs this event in nonvolatile flash memory. If the problem recurs, have the system serviced.
0446	An error occurred in the Slave Interrupt Controller. <i>Action:</i> Turn off the system and wait 30 seconds; then, turn it back on. If the problem recurs, have the system serviced.
0450	An error occurred in the Master DMA Controller. <i>Action:</i> Turn off the system and wait 30 seconds; then, turn it back on. If the problem recurs, have the system serviced.
0451	An error occurred in the Slave DMA Controller. <i>Action:</i> Turn off the system and wait 30 seconds; then, turn it back on. If the problem recurs, have the system serviced.

POST Error Messages

POST Message	Description
0452	An error occurred in the DMA Controller. <i>Action:</i> Turn off the system and wait 30 seconds; then, turn it back on. If the problem recurs, have the system serviced.
0460	An error occurred in the Fail-safe Time NMI. <i>Action:</i> Turn off the system and wait 30 seconds; then, turn it back on. If event logging is enabled, POST logs this event in nonvolatile flash memory. If the problem recurs, have the system serviced.
0461	An error occurred in the Software Port NMI. <i>Action:</i> Turn off the system and wait 30 seconds; then, turn it back on. If the problem recurs, have the system serviced.
0465	An error occurred in the Bus Timeout NMI in Slot <i>n</i> . <i>Action:</i> Turn off the system and wait 30 seconds; then, turn it back on. If the problem recurs, have the system serviced.
0467	A NMI error occurred in the Expansion Board in Slot <i>n</i> . <i>Action:</i> Turn off the system and wait 30 seconds; then, turn it back on. If the problem recurs, have the system serviced.
0501	A PCI System Error occurred. <i>Action:</i> Turn off the system and wait 30 seconds; then, turn it back on. If event logging is enabled, POST logs this event in nonvolatile flash memory. If the problem recurs, have the system serviced.
0510	A PCI Parity Error occurred. <i>Action:</i> Turn off the system and wait 30 seconds; then, turn it back on. If the problem recurs, have the system serviced.
0710	A System Board Device Resource Conflict occurred. <i>Action:</i> Turn off the system and wait 30 seconds; then, turn it back on. If the problem recurs, have the system serviced.
0711	A Static Device Resource Conflict occurred. <i>Action:</i> Turn off the system and wait 30 seconds; then, turn it back on. If the problem recurs, have the system serviced.

POST Error Messages

POST Message	Description
0800	A PCI I/O Port Conflict occurred. <i>Action:</i> Turn off the system and wait 30 seconds; then, turn it back on. If the problem recurs, have the system serviced.
0801	A PCI Memory Conflict occurred. <i>Action:</i> Turn off the system and wait 30 seconds; then, turn it back on. If the problem recurs, have the system serviced.
0802	A PCI IRQ Conflict occurred. <i>Action:</i> Turn off the system and wait 30 seconds; then, turn it back on. If the problem recurs, have the system serviced.
0803	The PCI Error Log is Full. <i>Action:</i> Turn off the system and wait 30 seconds; then, turn it back on. If the problem recurs, have the system serviced.
0804	PCI ROM Not Found, May be OK For This Card: Bus <i>nn</i> , Device <i>nn</i> , Function <i>nn</i> . <i>Action:</i> None required. This message is for information only.
0810	A Floppy Disk Controller Resource Conflict occurred. <i>Action:</i> Start the System Configuration Utility and check for conflicts. If the problem recurs, have the system serviced.
0811	A conflict occurred with the Primary IDE Controller Resource. <i>Action:</i> Start the System Configuration Utility and check for conflicts. If the problem recurs, have the system serviced.
0812	A conflict occurred with the Secondary IDE Controller Resource. <i>Action:</i> Start the System Configuration Utility and check for conflicts. If the problem recurs, have the system serviced.
0815	A conflict occurred with the parallel port Resource. <i>Action:</i> Start the System Configuration Utility and check for conflicts. If the problem recurs, have the system serviced.

POST Error Messages

POST Message	Description
0816	<p>A conflict occurred with the Serial Port 1 Resource.</p> <p><i>Action:</i> Start the System Configuration Utility and check for conflicts. If the problem recurs, have the system serviced.</p>
0817	<p>A conflict occurred with the Serial Port 2 Resource.</p> <p><i>Action:</i> Start the System Configuration Utility and check for conflicts. If the problem recurs, have the system serviced.</p>
0820	<p>The expansion board in Slot <i>n</i> was disabled.</p> <p><i>Action:</i> Start the System Configuration Utility and check for conflicts. If the problem recurs, have the system serviced.</p>
0900	<p>NVRAM Checksum Error occurred because NVRAM was cleared.</p> <p><i>Action:</i></p> <ul style="list-style-type: none">• If you have just replaced the real-time clock on the system board, start the Setup program to set the correct date and time. If the problem recurs, have the system serviced.• If you have not just removed or replaced the real-time clock, have the system serviced.
0903	<p>NVRAM Data is invalid because NVRAM was cleared.</p> <p><i>Action:</i></p> <ul style="list-style-type: none">• If you have just replaced the real-time clock on the system board, start the Setup program to set the correct date and time. If the problem recurs, have the system serviced.• If you have not just removed or replaced the real-time clock, have the system serviced.
0905	<p>NVRAM was cleared by resetting the system-board configuration switch S6A1-1.</p> <p><i>Action:</i></p> <ul style="list-style-type: none">• If you have just reset the configuration switch S6A1-1 on the system board, start the Setup program to set the correct date and time. If the problem recurs, have the system serviced.• If you have not just removed or replaced the real-time clock, have the system serviced.

POST Error Messages

POST Message	Description
0982	I/O Expansion Board NMI occurred in Slot <i>n</i> . <i>Action:</i> Turn off the system and wait 30 seconds; then, turn it back on. If event logging is enabled, POST logs this event in nonvolatile flash memory. If the error message recurs, have the system serviced.
0984	The Expansion Board in Slot <i>n</i> was disabled. <i>Action:</i> Start the System Configuration Utility and check for conflicts. If the problem recurs, have the system serviced.
0985	Fail-safe Timer NMI. <i>Action:</i> Turn off the system and wait 30 seconds; then, turn it back on. If event logging is enabled, POST logs this event in nonvolatile flash memory. If the error message recurs, have the system serviced.
0986	The Watchdog Timer caused a system reset. <i>Action:</i> The system was automatically reset when the watchdog timer set by the operating system device driver expired, after a hardware or software failure. If event logging is enabled, POST logs this event in nonvolatile flash memory.
0987	A bus timeout NMI occurred in Slot <i>n</i> . <i>Action:</i> Have the system serviced.

SCSI Messages

If your server has at least one hard disk drive, review the following information before having the system serviced.

Note: If your server has a CD-ROM drive but does not have a hard disk drive, ignore any message that indicates that the BIOS is not installed.

SCSI Messages	Description
All	<p>One or more of the following might be causing the problem.</p> <ul style="list-style-type: none"> • A failing SCSI device (adapter, drive, controller) • An improper SCSI configuration • Duplicate SCSI IDs in the same SCSI chain • An improperly installed SCSI terminator • A defective SCSI terminator • An improperly installed cable • A defective cable <p><i>Action:</i> Verify that:</p> <ul style="list-style-type: none"> • The external SCSI devices are turned on. External SCSI devices must be turned on before the system. • The cables for all external SCSI devices are connected correctly. • The last device in each SCSI chain is terminated correctly. (See “SCSI Drives” on page 159 for more SCSI chain information.) • The SCSI devices are configured correctly. <p>If the above are correct, run the diagnostics for additional information about the failing device. If the error recurs, have the system serviced.</p>

Beep Codes

Beep Codes

One beep and the appearance of text on the monitor indicate successful completion of POST. When POST detects a fatal error, the tests stop, and the server emits one or more beeps. Beep codes are sounded in a series of individual beeps. The duration of each beep is constant.

Beep Code Chart for Server Startup

Beep Code	Description
1	Refresh failure <i>Action:</i> Have the system serviced.
2	Parity can't be reset <i>Action:</i> Have the system serviced.
3	First 64k memory failure <i>Action:</i> If you have just installed or removed memory modules or the memory board, make sure that all memory modules and the memory board are seated properly. If the problem recurs, have the system serviced.
4	Timer not operational <i>Action:</i> Have the system serviced.
5	Processor failure <i>Action:</i> Have the system serviced.
6	8042 gate a20 is off (v_mode) <i>Action:</i> Have the system serviced.
7	Exception interrupt error <i>Action:</i> Have the system serviced.
8	Display memory read/write error <i>Action:</i> Have the system serviced.
9	ROM checksum error <i>Action:</i> Have the system serviced.
10	Shutdown reg. read/write error <i>Action:</i> Have the system serviced.

Troubleshooting

You can use the troubleshooting charts in this section to find solutions to problems that have definite symptoms.

Look for the symptom in the left column of the chart. Instructions and probable solutions to the problem are in the right column of the chart.

In these charts, an *X* can be any alphanumeric character.

CD-ROM Drive Problems	Action
The CD is not working properly.	<p>Clean the CD by wiping it with a soft, lint-free cloth, from the center of the CD to the outer edge. Do not clean in a circular pattern. This can cause loss of data.</p> <p>If this does not correct the problem, clean the optical-head lens. Discs for cleaning the lens are available from your place of purchase.</p> <p>If a problem still exists, have the system serviced.</p>
CD-ROM Drive Tray Not Working	<p>The server must be turned on. If the system is on and the tray does not eject, insert the end of a paper clip into the small hole (to the left of the tray load and eject button) on the front of the CD-ROM drive. If the drive still does not work correctly, have the system serviced.</p>
CD-ROM drive not recognized	<p>Use the System Configuration Utility to verify that the CD-ROM drive is enabled and that the SCSI ID is set correctly.</p>

Troubleshooting

Diskette Drive Problems	Action
Diskette drive In-Use light stays on, or the system bypasses the diskette drive.	<p>If there is a diskette in the drive, verify that:</p> <ol style="list-style-type: none">1. The diskette is good and not damaged. (Try another diskette if you have one.)2. The diskette is inserted correctly (label up and metal-shutter end first) in the drive.3. The diskette contains the necessary files to start the system.4. The system is not in Secure mode.5. The diskette drive is enabled (check the drive startup sequence setting in the Setup program).6. Your software program is OK (see the Software Problems troubleshooting chart provided later in this section).7. Your drive startup sequence is set correctly (check the Boot Sequence setting in the Setup program). <p>If the diskette drive In-Use light stays on, or the system continues to bypass the diskette drive, have the system serviced.</p>
Monitor Self-Tests	Action
	<p>Some IBM monitors have their own self-tests. If you suspect a problem with your monitor, refer to the information that comes with the monitor for adjusting and testing instructions.</p> <p>If you still cannot find the problem, have the monitor and system serviced.</p>

Troubleshooting

Monitor Problems	Action
Wavy, unreadable, rolling, distorted screen, or screen jitter.	<p>If the monitor self-tests show that the monitor is OK, consider the location of the monitor. Magnetic fields around other devices (such as transformers, appliances, fluorescent lights, and other monitors) can cause screen jitter or wavy, unreadable, rolling, or distorted screen images. If this happens, turn off the monitor. (Moving a color monitor while it is turned on might cause screen discoloration.) Then move the device and the monitor at least 305 mm (12 in.) apart. Turn on the monitor.</p> <p><i>Notes:</i></p> <ol style="list-style-type: none">1. The distance between monitors and diskette drives should be at least 76 mm (3 in.) to prevent diskette drive read/write errors.2. Non-IBM monitor cables might cause unpredictable problems.3. An enhanced monitor cable with additional shielding is available for the 9521 and 9527 monitors. See your IBM reseller or IBM marketing representative for information about the enhanced monitor cable. <p>If the problem recurs, have the monitor and system serviced.</p>
The monitor works when you turn on the system, but goes blank when you start some application programs.	<p>Verify that the primary monitor cable is connected to the video port.</p> <p>Be sure you installed the necessary drivers for the application.</p>
Blank screen	<p>Verify that:</p> <ol style="list-style-type: none">1. The voltage-selection switch is set to the correct setting.2. The system power cord is plugged into the system and a working electrical outlet.3. The monitor is turned on and the Brightness and Contrast controls are adjusted correctly.4. The monitor signal cable is connected to the correct connector on the system. <p>If the items above are correct and the screen remains blank, have the system serviced.</p>
Only the cursor appears.	Have the system serviced.
Wrong characters appear on the screen.	Have the system serviced.

Troubleshooting

General Problems	Action
Problems such as broken cover locks or indicator lights not working.	Have the system serviced.
System continuously restarts.	Have the system serviced.
Server does not respond to the Power On or Reset switch.	Verify that the Power Disable Setting in the System Configuration Utility is set to Enable, and that Secure Mode is set to Disable. If the Power On and Reset switches are set to Enable, and Secure Mode is set to Disable, have the system serviced.
Intermittent Problems	Action
A problem occurs only occasionally and is difficult to detect.	Verify that: <ol style="list-style-type: none">1. All cables and cords are securely connected to the rear of the system and attached options.2. When the system is turned on, air is flowing from the rear of the system at the fan grill. If there is no air flow, the fan is not working. This causes the system to overheat and shut down.3. The last external device in each SCSI chain is terminated correctly. (See "SCSI Drives" on page 159 for more information about SCSI terminators.) If the items above are correct, have the system serviced.
Keyboard, Mouse, or Pointing-Device Problems	Action
All or some keys on the keyboard do not work.	<ol style="list-style-type: none">1. Make sure the keyboard cable is properly connected to the system.2. Make sure that the system and the monitor are turned on. If the items above are correct, have the system serviced.

Troubleshooting

**Keyboard, Mouse,
or Pointing-
Device Problems****Action**

The mouse or pointing device does not work.

Verify that the mouse or pointing-device cable is securely connected and the device drivers are installed correctly.

Note: The pointing-device port is also known as the auxiliary-device port or mouse port.

If the problem recurs, have the system and the device serviced.

Memory Problems**Action**

The amount of memory displayed is less than the amount of memory installed.

Verify that:

1. The memory modules are seated properly.
2. Memory modules must be installed in pairs. See “Installing Memory-Module Kits” on page 113 for more information.

If the above items are correct, have the system serviced.

Run the memory test program from your Diagnostic Diskette (see “Starting the Test Programs” on page 225). The system might have detected a bad memory module and automatically reallocated memory to enable you to continue to operate. If the memory tests fail, have the system serviced.

Experiencing client dropoff due to heavy traffic on the server.

Increase memory. See “Installing Memory-Module Kits” on page 113 for more information.

Troubleshooting

Option Problems	Action
An IBM option that was just installed does not work.	<p>Verify that:</p> <ol style="list-style-type: none">1. The option is designed for the system.2. You followed the installation instructions that were supplied with the option.3. The option is installed correctly.4. You have not loosened any other installed options or cables.5. You updated the configuration information. Whenever you change the memory or an option, you must update the configuration by running the System Configuration Utility program (see Chapter 3, "Configuring Your Server" on page 39). <p>If all of the above items are correct, start the test programs. If the test programs find no problem, have the system and the option serviced.</p>
An IBM option that used to work does not work now.	<p>Verify that all of the option hardware and cable connections are secure.</p> <p>If the option comes with its own test instructions, use those instructions to test the option.</p> <p>If the items above are correct and the test programs found no problem, have the system and the option serviced.</p> <p>If the failing option is a SCSI option, verify that:</p> <ol style="list-style-type: none">1. The cables for all external SCSI options are connected correctly.2. The last option in each SCSI chain, or the end of the SCSI cable, is terminated correctly. (See "SCSI Drives" on page 159 for more information on SCSI terminators.)3. All external SCSI options are turned on. External SCSI options must be turned on before the system is turned on. <p>If the problem recurs, have the system serviced.</p>
Parallel Port Problems	Action
The number of parallel ports displayed is less than the number of parallel ports installed.	<p>Verify that:</p> <ol style="list-style-type: none">1. Each port is assigned a unique address.2. The parallel-port adapter, if you installed one, is seated properly. <p>If the items above are correct, have the system serviced.</p>

Troubleshooting

Serial Port Problems	Action
The number of serial ports displayed is less than the number of serial ports installed.	Verify that: <ol style="list-style-type: none">1. Each port is assigned a unique address.2. The serial-port adapter, if you installed one, is seated properly. <p>If the items above are correct, have the system serviced.</p>

Printer Problems	Action
The printer does not work.	Verify that: <ol style="list-style-type: none">1. The printer is turned on and is online.2. The printer signal cable is connected to the correct serial or parallel-port on the system. (For the location of the serial or parallel port, see the <i>User's Reference</i>.) <p><i>Note:</i> Non-IBM printer cables might cause unpredictable problems.</p> <ol style="list-style-type: none">3. You have assigned the printer port correctly in your operating system or application program.4. You have assigned the printer port correctly using the Setup program. <p>If the items above are correct and the printer still does not work, run the tests described in the manual that comes with your printer. If the tests show the printer is OK, have the system serviced.</p>

Troubleshooting

Software Problems	Action
Is your software program OK?	<p data-bbox="634 663 1146 716">To determine if problems are caused by the software, verify that:</p> <ol data-bbox="634 730 1166 1094" style="list-style-type: none"><li data-bbox="634 730 1166 835">1. Your system has the minimum memory requirements needed to use the software. Refer to the information supplied with the software to verify memory requirements. <i>Note:</i> If you have just installed an adapter or memory, you might have a memory address conflict (see "Configuration Conflicts" on page 61).<li data-bbox="634 968 1097 1020">2. The software is designed to operate on your system.<li data-bbox="634 1020 1040 1052">3. Other software works on your system.<li data-bbox="634 1052 1114 1094">4. The software you are using works on another system. <p data-bbox="634 1115 1166 1220">If you received any error messages when using the software program, refer to the information supplied with the software for a description of the messages and solutions to the problem.</p> <p data-bbox="634 1230 1166 1304">If the items above are correct and the problem remains, contact your place of purchase or service technician for help.</p>

Troubleshooting the 100/10 PCI Ethernet Adapter

Troubleshooting the 100/10 PCI Ethernet Adapter

This section provides troubleshooting information for problems that might occur when the 100/10 PCI Ethernet adapter is installed in the server.

Network Connection Problems

If the adapter cannot connect to the network, check the following:

- Make sure that the cable is installed correctly.

The network cable must be securely attached at all connections. If the cable is attached but the problem persists, try a different cable.

If you set the Ethernet adapter to operate at 100 Mbps, you must use Category 5 cabling. Refer to the **Hardware Specifications and Cabling Information** section in the help file for a list of recommended cables and information on how to install cabling.

If you directly connect two workstations (no hub), use a crossover cable. Refer to the **Hardware Specifications and Cabling Information** section in the help file.

- Check the LEDs on the rear of the Ethernet adapter.

The Ethernet adapter has three diagnostic LEDs beside the cable connector. These lights help indicate whether a problem exists with the connector, cable, or hub.

- The LNK LED illuminates when the adapter receives a LNK pulse from the hub. If the LED is OFF, there might be a bad connector or cable, or a problem with the hub. The LNK LED is also OFF when you run the diagnostic tests in the Setup program.
- The ACT LED illuminates when the adapter detects read or write activity on the network, even when there is no activity on the adapter. If the ACT LED is not on, make sure that the hub and network are operating and that the correct drivers are loaded.
- The 100 LED illuminates when a 100 Mbps connection is established.

Troubleshooting the 100/10 PCI Ethernet Adapter

- Make sure that you are using the correct drivers.
- Check for operating system-specific causes for the problem.
- Test the adapter.

Select **Test adapter** from the Main Menu on the Ethernet adapter Configuration and Drivers diskette. How you test the adapter depends on which operating system you are using (see “Configuring Other Network Adapters” on page 71).

100/10 PCI Ethernet Adapter Troubleshooting Chart

You can use the following troubleshooting chart to find solutions to 100/10 PCI Ethernet adapter problems that have definite symptoms.

Adapter Problem	Action
The Setup program reports the adapter's interrupt as “0” or “255.”	The PCI BIOS is not configuring the adapter correctly.
The Setup program reports “No PCI Bus.”	The PCI BIOS is not configuring the adapter correctly.
Workstation stops running when loading drivers.	Change the PCI BIOS interrupt settings.
LNK LED does not light.	Check the following: <ul style="list-style-type: none">• Make sure that you have loaded the network drivers.• Check all connections at the adapter and the hub.• Use another port on the hub.• If you forced the duplex mode, make sure that you also force the speed to either 10 or 100.• Make sure that the hub port is configured for the correct speed (10 Mbps or 100 Mbps).• If you manually configured the duplex mode, make sure that you manually configure the speed also. See “Installing Multiple Adapters” on page 68 for more information.
The ACT LED does not light.	Check the following: <ul style="list-style-type: none">• Make sure that you have loaded the network drivers.• The network might be idle. Try sending data from this workstation.• Use another Ethernet adapter (see “Installing Adapters” on page 143).

Troubleshooting the 100/10 PCI Ethernet Adapter

Adapter Problem	Action
Data is corrupted or sporadic.	Make sure that you are using Category 5 cabling when operating at 100 Mbps.
The Ethernet adapter stopped working when another adapter was added to the server.	Check the following: <ul style="list-style-type: none">• Make sure that the cable is connected to the Ethernet adapter.• Make sure that your PCI system BIOS is current.• Reseat the adapter (see “Installing Adapters” on page 143).
The adapter stopped working without apparent cause.	Check the following: <ul style="list-style-type: none">• Reseat the Ethernet adapter or try a different connector.• Reinstall the device drivers (see your operating-system documentation and your ServerGuide instructions, if you used ServerGuide to install your operating system).• Use a different Ethernet adapter.

Troubleshooting Other Network Adapters

Troubleshooting Other Network Adapters

This section provides general troubleshooting information for problems that might occur when a network adapter is installed in the server. For more specific details about troubleshooting your network adapter, see your network-adapter documentation.

If the network adapter cannot connect to the network, or if the network adapter contains LEDs that do not work, check the following:

- Make sure that:
 - You installed the latest revision levels of the device drivers that came with the network adapter, as described in your operating-system documentation.
 - The network adapter is seated firmly in the connector (see “Installing Adapters” on page 143).
 - You installed the correct network cable. (If you need information about selecting the correct cable, contact your IBM reseller or IBM marketing representative.)
 - The network cable is securely attached at all connections. If the cable is attached correctly but the problem persists, try a different cable.
- Check for operating-system-specific causes for the problem. Refer to your operating-system documentation and your network-adapter documentation.
- Test the network adapter. The adapter test requirements depend on which operating system you are using. Refer to your operating-system documentation and your network-adapter documentation for details.
- If the network adapter fails during testing, remove it (see “Removing Adapters” on page 151) and install another network adapter as described in “Installing Adapters” on page 143.

Troubleshooting Other Network Adapters

Network Adapter Troubleshooting Chart

You can use the following troubleshooting chart to find solutions to network-adapter problems that have definite symptoms.

Adapter Problem	Action
The Setup program reports the network adapter's interrupt as "0" or "255."	The PCI BIOS is not configuring the network adapter correctly.
The Setup program reports "No PCI Bus."	The PCI BIOS is not configuring the network adapter correctly.
The server stops running when loading device drivers.	Change the PCI BIOS interrupt settings.
Data is corrupted or sporadic.	Make sure that you are using the correct types of cables.
The network adapter stopped working when another adapter was added to the server.	Check the following: <ul style="list-style-type: none">• Make sure that the network cable is connected to the network adapter.• Make sure that your PCI system BIOS is current.• Reseat the network adapter (see "Installing Adapters" on page 143).
The network adapter stopped working without apparent cause.	Check the following: <ul style="list-style-type: none">• Reseat the network adapter or try a different connector.• Reinstall the device drivers (see your operating-system documentation and your network-adapter documentation).• Use a different network adapter (see "Installing Adapters" on page 143).

Troubleshooting

Identifying Problems through Status Indicators

Status indicators on the server can help to identify problems with some system components such as power supplies and hot-swap drives.

Power Supply Status Indicators

To recognize the state of the power supply, you must examine the following indicators:

- Green Power-on LED on the front of the server
- Amber Power-fail LED on the front of the server
- Power Supply OK LED on the back of the power supply
- Current OK LED on the back of the power supply

When the server is lightly loaded, that is, when some of the adapter slots and drive bays are not filled, the power supply might continue to function properly, even when the status indicators show a problem.

Troubleshooting

The following table describes the power-supply status conditions that the LEDs indicate.

Power Supply OK LED	Power Supply Current OK LED	Status
Off ¹	Off ¹	The power supply has shut down. This occurs when the voltage is too high, when a fan fails, or when the power supply becomes too hot.
On	Off	The voltage to the power supply is low. Because the power supply can meet the present system requirements, the power supply continues to run.
Off	On	The power supply has failed. The present system power requirements are too low to cause the power supply to shut itself down.
On	On	The supply is on and OK.

Notes:

1. The Power-on indicator on the front of the server is not lit.
2. The Power fail indicator on the front of the server illuminates when either power supply LED is not lit.

Hot-swap Drive Status Indicators

You can use the status LEDs above each of the hot-swap drive bays to obtain status information for the drive in the bay.

- **Power On LED** (Left Green LED): A SCSI drive is present in the bay, and the power is on.
- **Drive In-Use LED** (Center Green LED): The server is writing to or reading from the hard disk.
- **Drive Fault LED** (Amber LED): The SCSI drive is faulty. In a disk-array model, this amber LED blinks when the drive is part of a disk array and is being rebuilt.

Troubleshooting

The following table describes the SCSI drive status conditions that the LEDs indicate.

Power On LED	Drive In-Use LED	Drive Fault LED	Status
On	Off	Off	Hot-swap drive is present; power to the drive is on.
On	Blinking	Off	Hot-swap drive is present; power to the drive is on. The drive is in use.
Off	Off	On	The drive has a problem, and can be replaced.
On	Off	Blinking slowly	Disk-array models only: The drive <i>should not</i> be replaced at this time. The drive has just been replaced, and the disk array is being rebuilt. Power to the drive is on.
Off	Off	Off	No drive is installed in the bay. If a drive is present, but the LEDs are off, check the cable connections to the SCSI backplane.

Checking the System for Damage

This section provides instructions on what to do if your system is damaged.

After Dropping It

Obvious damage:

Look for loose cables and obvious damage. If any cables are loose, reconnect them securely. If there is obvious damage to the system, have it serviced.

No obvious damage:

If you see no damage, turn on the system. If it works correctly, the system probably did not suffer any damage.

Note: To avoid personal injury or damage to your system, observe all safety and electrostatic precautions listed in “Safety Information” on page v and the *PC Server 704 Safety Information* booklet.

If it does not work correctly, turn off the system and check the adapters and memory modules to ensure that they are seated correctly. See Chapter 4, “Installing Options” on page 73 and follow the instructions for opening your system; then, reseal all adapters and memory modules.

If the system still does not work correctly, start the test programs and test the system. See “Starting the Test Programs” on page 225 for instructions.

Checking for Damage

After Spilling Liquid on It

If liquid gets on the keyboard:

1. Turn off the system.
2. Unplug the keyboard from the back of the system.
3. Turn the keyboard upside down to drain excess liquid.
4. Dry off the keyboard with a lint-free cloth.

After the keyboard is completely dry, plug it in and turn on the system. If it does not work correctly, have the keyboard serviced.

If liquid gets inside the monitor:

1. Turn off the monitor.
2. Turn off the system.
3. Unplug the monitor from the system and the electrical outlet.
4. Have the monitor serviced immediately.

If liquid gets inside the system:

1. Turn off the system and all attached devices.
2. Unplug the system from the electrical outlet and all attached devices.
3. Have the system serviced immediately.

Installing Additional Test Programs

You can add other test programs to the Diagnostic Diskette. These other programs are usually provided on the diskette that comes with a device. After you add the programs to the Diagnostic Diskette, you can include information from the programs in the Test Log.

Before the test programs can find these programs to run as the User Diags test group, information about them must be included in a file called USERDIAG.CFG. This is an ASCII text file. It must include the following three items for each test to run:

- Program Name (.COM and .EXE files only)
- Test Description of the test to be run
- Command-line parameters to be passed to the program identified in the first item of this list

Notes:

1. All of the information for a given test must be on a single line, and a semicolon (;) must separate the items on the line.
2. Make sure you press **Enter** at the end of each line of text in the USERDIAG.CFG file. This creates a carriage return line feed (CR LF) which is necessary for the User Diagnostics to be found and executed.
3. If the program executable file is in a directory other than the QA directory (or other directory you have designated to contain the QA files), that directory must be listed in the PATH= section of the AUTOEXEC.BAT.
4. You can use a .CFG file other than USERDIAG.CFG if you use the command line "USRCONFIG=*filename*," when running the diagnostic programs. For example, you might use: QAPLPRO /USRCONFIG=MYTESTS.CFG.

Installing Additional Test Programs

USERDIAG.CFG Example

An example USERDIAG.CFG file might look like the following:

Program Name	Test Description	Command-Line Parameter
BBSMODEM.EXE;	9600 Baud 5 Line Modem;	5
TEST1.EXE;	Generic 1;	
TEST2.EXE;	Generic 2;	
TESTALL.EXE;	CMD 1;	1
TESTALL.EXE;	CMD 2;	2
TESTALL.EXE;	CMD 3;	3

Note: You can have more than one command-line parameter for any given test.

When you view these tests on the Test Group window for the User Diag test group, they appear as follows:

- (◆) 9600 Baud 5 Line Modem
- (◆) Generic 1
- (◆) Generic 2
- (◆) CMD 1
- (◆) CMD 2
- (◆) CMD 3

The diagnostic program automatically assigns a test number to each test. The test numbers start at 201 and continue upward as needed. The numbers for the tests listed above are as follows:

- 202 9600 Baud 5 Line Modem
- 203 Generic 1
- 204 Generic 2
- 205 CMD 1
- 206 CMD 2
- 207 CMD 3

Using the Utility Programs

The Diagnostic Diskette contains utility programs for formatting diskettes and editing.

Formatting Diskettes

To format a diskette within the diagnostic programs, select one of the following options:

Format A: high density

After selecting one of the above options to format a diskette, follow the instructions that appear on the screen.

Using the File Editor

The file editor allows you to modify text files. By modifying files, such as your AUTOEXEC.BAT or CONFIG.SYS files, you can improve the test system's performance and eliminate unnecessary lines of information in those files.

Note: Always make a backup copy on a self-starting diskette of the AUTOEXEC.BAT and CONFIG.SYS files *before* making any changes.

The File Editor is an ASCII text editor that uses the following function keys:

Key	Description
Arrows	Use the arrow keys to move the cursor to the place in the text where you want to make changes.
Home	To move the cursor to the start of the current line, press Home once. To move to the beginning of the current screen, press Home twice. To move to the beginning of the file, press Home three times.
End	To move the cursor to the end of the current line, press End once. To move the cursor to the end of the current screen, press End twice. To move the end of the file, press End three times.

Using the Utility Programs

- F2** To be in search mode, press F2. You are prompted to enter the search word or words on a reverse highlighted line at the bottom of the File Edit Screen. After typing in the search word, press Enter.
- F3** To find the next occurrence of a search word, press F3.
- F4** To mark the start of a block of text (if you have not previously marked it), press F4. If you previously marked the block of text, pressing this key unmarks the text block.
- F5** To complete the block marking (started with F4), press F5. If you did not previously press F4 to start marking a block of text, F5 is ignored.
- F6** To move an active (marked) block of text, first press F6 while the cursor is within the active block. Then, move the cursor to the new location where the active block is to be moved, and press F6 again. If there is no active block of text, F6 is ignored.
- F7** To copy an active (marked) block of text to the new location, move the cursor to the new location and press F7. If there is no active block of text, F7 is ignored.
- F8** To delete an active (marked) block of text, move the cursor within the active block and press F8. If there is no active text block, F8 is ignored.
- F10** To save all changes and exit the file, press F10.
- Insert** Insert is the default text-editing mode of the File Editor. To toggle between replace and insert modes, press Insert.

Using the Utility Programs

To access the File Editor:

1. Select **File Editor** from the Utilities Menu; then, press **Enter**.
2. Insert a diskette into drive A or drive B before selecting the file that you want to edit; then, select the file from the Files Selection box.
3. Press **Enter**.
4. Make your changes.
5. When you are done, press **F10** to update the file with the changes that you made, or press **Esc** to quit the editing process without saving the changes.

Note: When you are using the File Editor, you can press F1 to display all of the available keyboard functions.

Using the Utility Programs

Chapter 6. Getting Help, Service, and Information

If you need help, service, technical assistance, or just want more information about IBM products, you will find a wide variety of sources available from IBM to assist you. This section provides information about those sources.

Services available and telephone numbers listed are subject to change without notice.

Before You Call for Service

Many server problems can be solved without outside assistance, by using the online help or by looking in the online or printed documentation that comes with your server or software. Also, be sure to read the information in any README files that come with your software.

Most servers, operating systems, and application programs come with documentation that contains troubleshooting procedures and explanations of error messages. (For troubleshooting and error information about your PC Server 704, see “Troubleshooting” on page 245, “POST Error Message Table” on page 232, and “SCSI Messages” on page 243. The documentation that comes with your server also contains information about the diagnostic tests that you can perform (see “Starting the Test Programs” on page 225).

If you suspect a hardware problem, run the diagnostic tests and make a note of any error messages you receive. Then look up the message in Chapter 5, “Solving Problems” on page 213, and take the appropriate action.

If you suspect a software problem, consult the documentation (including README files) for the operating system or application program.

Using the HelpWare Support Family

IBM HelpWare is the solution for IBM PC service and support wherever IBM products are sold and serviced. Purchasing an IBM PC hardware product entitles you to standard help and support during the warranty period. If you need additional support and

services, HelpWare provides a wide variety of extended services that address almost any need.

Using Electronic Support Services

If you have a modem, you can get help from several popular services. Bulletin boards and online information services provide assistance through question-and-answer message areas, live chat rooms, searchable databases, and more.

Technical information is available on a wide range of topics, such as:

- Hardware setup and configuration
- Preinstalled software
- OS/2, DOS, and Windows
- Networking
- Communications
- Multimedia

In addition, the latest device driver updates are available.

The IBM PC Company Bulletin Board System (BBS) can be reached 24 hours a day, 7 days a week. Modem speeds of up to 14 400 baud are supported. Long distance telephone charges might apply. To access the PC Company BBS:

- In the U.S., call 1-919-517-0001.
- In Canada:
 - In Halifax, call 902-420-0300.
 - In Montreal, call 514-938-3022.
 - In Toronto, call 905-316-4255 or 416-956-7877.
 - In Vancouver, call 604-664-6461 or 604-664-6464.
 - In Winnipeg, call 204-934-2735.

Commercial online services that contain information about IBM products include:

- CompuServe

Use the following GO words: APTIVA, IBMPS2, ThinkPad, PowerPC, ValuePoint, IBMSVR, or IBMOBI.

- PRODIGY

Use the Jump command; type **IBM** and select **PC Product Support**.

- America Online

Use the “Go to” keyword **IBM Connect**.

On the World Wide Web, the IBM Personal Computers home page has information about IBM Personal Computer products and support. The address for the IBM Personal Computer home page is:

<http://www.pc.ibm.com>

Getting Information by Fax

If you have a touch-tone telephone and access to a fax machine, in the U.S. and Canada you can receive by fax free marketing and technical information on many topics, including hardware, operating systems, and local area networks (LANs). You can call the IBM PC Company Automated Fax System 24 hours a day, 7 days a week. Follow the recorded instructions, and the requested information will be sent to your fax machine.

To access the IBM PC Company Automated Fax System, do the following:

- In the U.S., call 1-800-426-3395.
- In Canada, call 1-800-465-3299.

Getting Help by Telephone

During the warranty period, you can get help and information by telephone through the IBM HelpWare PC Support Line. Expert technical-support representatives are available to assist you with questions you might have on the following:

- Setting up your server and IBM monitor
- Installing and setting up IBM options purchased from IBM or an IBM reseller
- 60-day, preinstalled-operating-system support
- Arranging for service (on-site or carry-in)
- Arranging for overnight shipment of customer-replaceable parts

In addition, if you purchased an IBM PC Server, you are eligible for PC Server Startup Support for 90 days after installation. This service provides assistance for:

- Setting up your network operating system
- Installing and configuring interface cards
- Installing and configuring network adapters

Please have the following information ready when you call:

- Serial numbers of your server, monitor, and other components, or your proof of purchase
- Description of the problem
- Exact wording of any error messages
- Hardware and software configuration information for your system

If possible, be at your server when you call.

These services are available 24 hours a day, 7 days a week (excluding some holidays).*

- In the U.S. and Puerto Rico, call 1-800-772-2227.
- In Canada, call 1-800-565-3344.
- In all other countries, contact your IBM reseller or IBM marketing representative.

Getting Help Around the World

If you need to move your server to another country, you can register for International Warranty Service. When you register with the International Warranty Service Office, you will receive an International Warranty Service Certificate that is honored virtually worldwide, wherever IBM or IBM resellers sell and service IBM PC products.

For more information or to register for International Warranty Service in the U.S. or Canada, call 1-800-497-7426.

* Response time may vary depending on the number and nature of calls received.

Purchasing Additional HelpWare Services

During and after the warranty period, you can purchase additional HelpWare services, such as support for IBM and non-IBM hardware, operating systems, and application programs; network setup and configuration; upgraded or extended hardware repair services; and custom installations. Service availability and name might vary by country.

Using the World Wide Web

Also available to you is the latest information about product compatibility and configuration. This information is updated as new PC Server products are announced. For a product to be included in the PC Server compatibility list, it must pass a strict set of hardware and operating system compatibility tests. The following is a sample of the information available at <http://www.pc.ibm.com/servers/> on the World Wide Web.

- A listing of products that have been tested for compatibility with IBM PC Server.
- Certification and compatibility information about network operating systems (NOS) and operating systems (OS).
- Direct access to device drivers, flash BIOS updates, and other code.
- Descriptions of PC Server compatibility and certification tests.
- Detailed reports about the performance of PC Servers.

Enhanced PC Support Line

Enhanced PC Support is available for desktop and mobile IBM computers that are not connected to a network. Technical support is provided for IBM computers and IBM or non-IBM options, operating systems, and application programs on the Supported Products list.

This service includes technical support for:

- Installing and configuring your out-of-warranty IBM computer
- Installing and configuring non-IBM options in IBM computers
- Using IBM operating systems in IBM and non-IBM computers

- Using application programs and games
- Tuning performance
- Installing device drivers remotely
- Setting up and using multimedia devices
- Identifying system problems
- Interpreting documentation

You can purchase this service on a per-call basis, as a multiple-incident package, or as an annual contract with a 10-incident limit. For more information about purchasing Enhanced PC Support, see “Ordering Support Line Services” on page 275.

900-Number Operating System and Hardware Support Line

In the U.S., if you prefer to obtain technical support on a pay-as-you-go basis, you can use the 900-number support line. The 900-number support line provides the same support as the Enhanced PC Support line, except for application and non-IBM option support.

To access this support, call 1-900-555-CLUB (2582). You will be notified of the charge per minute.

Network and Server Support Line

Network and Server Support is available for simple or complex networks made up of IBM servers and workstations using major network operating systems. In addition, many popular non-IBM adapters and network interface cards are supported.

This service includes all of the features of the Enhanced PC Support Line, plus:

- Installing and configuring client workstations and servers
- Identifying system problems and correcting problems on the client or the server
- Using IBM and non-IBM network operating systems
- Interpreting documentation

You can purchase this service on a per-call basis, as a multiple-incident package, or as an annual contract with a

10-incident limit. For more information about purchasing Network and Server Support, see “Ordering Support Line Services.”

Ordering Support Line Services

Enhanced PC Support Line and Network and Server Support Line services are available for products on the Supported Products list. To receive a Supported Products list:

- In the U.S.:
 1. Call 1-800-426-3395.
 2. Select document number 11683 for Network and Server support.
 3. Select document number 11682 for Enhanced PC support.
- In Canada, contact IBM Direct at 1-800-465-7999, or:
 1. Call 1-800-465-3299.
 2. Select the HelpWare catalog.
- In all other countries, contact your IBM reseller or IBM marketing representative.

For more information or to purchase these services:

- In the U.S., call 1-800-772-2227.
- In Canada, call 1-800-465-7999.
- In all other countries, contact your IBM reseller or IBM marketing representative.

Warranty and Repair Services

You can upgrade your standard hardware warranty service or extend the service beyond the warranty period.

Warranty upgrades in the U.S. include:

- Carry-in service to on-site service

If your warranty provides carry-in repair service, you can upgrade to on-site repair service, either standard or premium. The standard upgrade provides a trained servicer within the next business day (9 a.m. to 5 p.m., local time, Monday through

Friday). The premium upgrade provides 4-hour average response, 24 hours a day, 7 days a week.

- On-site service to premium on-site service

If your warranty provides for on-site service, you can upgrade to premium on-site service (4-hour average on-site response, 24 hours a day, 7 days a week).

You also can extend your warranty. HelpWare Warranty and Repair Services offers a variety of post-warranty maintenance options, including ThinkPad EasyServ Maintenance Agreements. Availability of the services varies by product.

For more information about warranty upgrades and extensions:

- In the U.S., call 1-800-426-7697.
- In Canada, call 1-800-465-7999.
- In all other countries, contact your IBM reseller or IBM marketing representative.

Obtaining IBM Operating System Updates

IBM provides update diskettes, called ServicePaks or corrective service diskettes (CSDs), to customers who report a DOS or OS/2 problem for which there is or will be a corrective program.

You can obtain update diskettes from the following sources:

- IBM PC Company BBS. See "Using Electronic Support Services" on page 270 for information on how to access this bulletin board system.
- OS/2 BBS. In the U.S. or Canada, call 1-800-547-1283.
- OS/2 Technical Support Center. In the U.S. or Canada, call 1-800-992-4777.
- World Wide Web. The address is <http://www.ibm.com>
- CompuServe, America Online, and PRODIGY.
- IBM reseller or IBM marketing representative.

Ordering Publications

Additional publications are available for purchase from IBM. For a list of publications available in your country:

- In the U.S. and Puerto Rico, call 1-800-879-2755.
- In other countries, contact your IBM reseller or IBM marketing representative.

Appendix A. Server Records

Record the Identification Numbers

Record and retain the following information.

Product Name	IBM PC Server 704
Machine Type	<input type="checkbox"/> with preinstalled hard disk drive
Model	<input type="checkbox"/> without preinstalled hard disk drive
Serial Number	_____
Key Serial Number	_____

Table 7. PC Server 704 Identification Numbers

The server identification numbers appear on a label on the rear of the server.

Two keys are provided with your server. Store the keys in a safe place. If you lose the keys, you must order a replacement lock mechanism and keys from IBM.

Note: Anyone who has access to the key serial number and manufacturer address can order duplicate keys, so store the tag in a safe place.

Device Records

Installed Device Records

Use the following tables to keep a record of the options installed in or attached to your system. You can also record your system's default configuration settings. This information can be helpful when you install additional options in your PC Server 704 or if you ever need to have your server serviced. It is recommended that you copy these tables before recording information in them, in case you need extra space to write new values later, when you update your system's configuration. Table 8 on page 281 lists the default values for configuration choices in the System Configuration Utility program.

Note: If necessary, you can also refer to the system-board layout in “The System Board” on page 288 for connector locations.

Table 8 (Page 1 of 2). System Configuration Utility Program Defaults and Changes

Menu Options	Default Value	New Value	Additional Information
System Group			
System Identification and Version Information			
System Identification String	None	_____	_____
Config and Overlay Version		_____	_____
BIOS Version String		_____	_____
MP Sec. Version	1.1	_____	_____
System Processor Status			
1st Processor Status, Module 1	No failures detected	_____	_____
2nd Processor Status, Module 1	No failures detected	_____	_____
3rd Processor Status, Module 2	No failures detected	_____	_____
4th Processor Status, Module 2	No failures detected	_____	_____
System Performance			
Power-on Speed	Fast	_____	_____
Secondary IOAPIC control	Disable	_____	_____
Memory Subsystem			
Base Memory Option	640 KB	_____	_____
Shadowing ISA ROMs Options	(Menu)	_____	_____
Extended Memory Options	(Menu)	_____	_____
Peripheral Configuration Group			
Automatic Configuration	Enable	_____	_____
Onboard Disk Controllers			
Onboard Floppy Controller	Enable	_____	_____
Onboard Communications Devices			
Serial Port 1 Configuration	Serial Port 1 Address and IRQ	_____	_____
Serial Port 2 Configuration	Serial Port 2 Address and IRQ	_____	_____
Parallel Port Configuration	Parallel Port Address and IRQ	_____	_____
Parallel Port Mode	Parallel port mode	_____	_____
Parallel Port DMA	Valid only with ECP mode	_____	_____
Floppy Subsystem Group			
Floppy drive A Options	Size and capacity	_____	_____
Floppy drive B Options	Size and capacity	_____	_____
Language Support Group			
Language Support options	Languages supported	_____	_____
Keyboard/Mouse Subsystem Group			
NumLock Options	Off at Boot	_____	_____
Typematic Speed	Auto	_____	_____

Device Records

Table 8 (Page 2 of 2). System Configuration Utility Program Defaults and Changes

Menu Options	Default Value	New Value	Additional Information
Mouse Control Option	Autodetected	_____	_____
Console Redirection			
COM port for redirection	Disable	_____	_____
Baud rate	115.2k	_____	_____
Hardware Flow Control	None	_____	_____
Terminal Type	ANSI	_____	_____
Security Subsystem			
Administrative Password	Disable	_____	_____
User Password	Disable	_____	_____
Hot-Key Option	Disable	_____	_____
Lockout Timer	10 min.	_____	_____
Secure Boot Mode	Disable	_____	_____
Video Blanking	Disable	_____	_____
Boot Subsystem Group			
First Startup Drive	Diskette Drive	_____	_____
Second Startup Drive	Hard Disk 0	_____	_____
Third Startup Drive	Boot disabled	_____	_____
Fourth Startup Drive	Boot Network	_____	_____
Display "<F1> for Setup" message during POST	Enable	_____	_____
Require user interaction on POST errors	Disable	_____	_____
SCSI ROM BIOS Options Group			
SCSI A ROM scan	Enable	_____	_____
SCSI B ROM scan	Enable	_____	_____
LCD			
LCD	Enable	_____	_____
LC Display String Before OS Boot	(Menu)	_____	_____
Management Subsystem			
Temperature/Voltage Limit Control	(Menu)	_____	_____
A to D Channel Enable Switch	(Menu)	_____	_____
Speaker Options	Enable	_____	_____
Scan user flash area	Disable	_____	_____
System Management Options			
System Management Mode	Enable	_____	_____
SMM time stamp Source	POST capture	_____	_____
Event Logging	Disable	_____	_____
Reserve VGA resources	Reserve VGA memory	_____	_____

Device Records

Options	Default Value	New Value	Additional Information
Flash EEPROM Revision Level	_____	_____	_____
System Board Identifier	_____	_____	_____
System Serial Number	_____	_____	_____
BIOS Date	_____	_____	_____
Video Setup			
Video Controller	SVGA	_____	_____
Video Memory	512 KB	_____	_____

Table 9. PC Server 704 Defaults and Changes

Table 10 shows the defaults for system memory and extended memory in your server. Record changes to existing memory and upgrades here.

Option	Default Value	New Value	Additional Information
System Memory	640 KB	_____	_____
Extended Memory	360 KB	_____	_____
Bank 1 socket	_____	_____	16 MB Kit <input type="checkbox"/> 32 MB Kit <input type="checkbox"/> 64 MB Kit <input type="checkbox"/> 128 MB Kit <input type="checkbox"/>
Bank 1 socket	_____	_____	16 MB Kit <input type="checkbox"/> 32 MB Kit <input type="checkbox"/> 64 MB Kit <input type="checkbox"/> 128 MB Kit <input type="checkbox"/>
Bank 1 socket	_____	_____	16 MB Kit <input type="checkbox"/> 32 MB Kit <input type="checkbox"/> 64 MB Kit <input type="checkbox"/> 128 MB Kit <input type="checkbox"/>
Bank 1 socket	_____	_____	16 MB Kit <input type="checkbox"/> 32 MB Kit <input type="checkbox"/> 64 MB Kit <input type="checkbox"/> 128 MB Kit <input type="checkbox"/>
Bank 1 socket	_____	_____	16 MB Kit <input type="checkbox"/> 32 MB Kit <input type="checkbox"/> 64 MB Kit <input type="checkbox"/> 128 MB Kit <input type="checkbox"/>
Bank 1 socket	_____	_____	16 MB Kit <input type="checkbox"/> 32 MB Kit <input type="checkbox"/> 64 MB Kit <input type="checkbox"/> 128 MB Kit <input type="checkbox"/>
Bank 1 socket	_____	_____	16 MB Kit <input type="checkbox"/> 32 MB Kit <input type="checkbox"/> 64 MB Kit <input type="checkbox"/> 128 MB Kit <input type="checkbox"/>
Bank 1 socket	_____	_____	16 MB Kit <input type="checkbox"/> 32 MB Kit <input type="checkbox"/> 64 MB Kit <input type="checkbox"/> 128 MB Kit <input type="checkbox"/>
Bank 2 socket	_____	_____	16 MB Kit <input type="checkbox"/> 32 MB Kit <input type="checkbox"/> 64 MB Kit <input type="checkbox"/> 128 MB Kit <input type="checkbox"/>
Bank 2 socket	_____	_____	16 MB Kit <input type="checkbox"/> 32 MB Kit <input type="checkbox"/> 64 MB Kit <input type="checkbox"/> 128 MB Kit <input type="checkbox"/>
Bank 2 socket	_____	_____	16 MB Kit <input type="checkbox"/> 32 MB Kit <input type="checkbox"/> 64 MB Kit <input type="checkbox"/> 128 MB Kit <input type="checkbox"/>
Bank 2 socket	_____	_____	16 MB Kit <input type="checkbox"/> 32 MB Kit <input type="checkbox"/> 64 MB Kit <input type="checkbox"/> 128 MB Kit <input type="checkbox"/>
Bank 2 socket	_____	_____	16 MB Kit <input type="checkbox"/> 32 MB Kit <input type="checkbox"/> 64 MB Kit <input type="checkbox"/> 128 MB Kit <input type="checkbox"/>
Bank 2 socket	_____	_____	16 MB Kit <input type="checkbox"/> 32 MB Kit <input type="checkbox"/> 64 MB Kit <input type="checkbox"/> 128 MB Kit <input type="checkbox"/>
Bank 2 socket	_____	_____	16 MB Kit <input type="checkbox"/> 32 MB Kit <input type="checkbox"/> 64 MB Kit <input type="checkbox"/> 128 MB Kit <input type="checkbox"/>
Bank 2 socket	_____	_____	16 MB Kit <input type="checkbox"/> 32 MB Kit <input type="checkbox"/> 64 MB Kit <input type="checkbox"/> 128 MB Kit <input type="checkbox"/>
Bank 2 socket	_____	_____	16 MB Kit <input type="checkbox"/> 32 MB Kit <input type="checkbox"/> 64 MB Kit <input type="checkbox"/> 128 MB Kit <input type="checkbox"/>
Bank 2 socket	_____	_____	16 MB Kit <input type="checkbox"/> 32 MB Kit <input type="checkbox"/> 64 MB Kit <input type="checkbox"/> 128 MB Kit <input type="checkbox"/>
Total Memory	_____	_____	_____

Table 10. RAM Default Settings and Changes

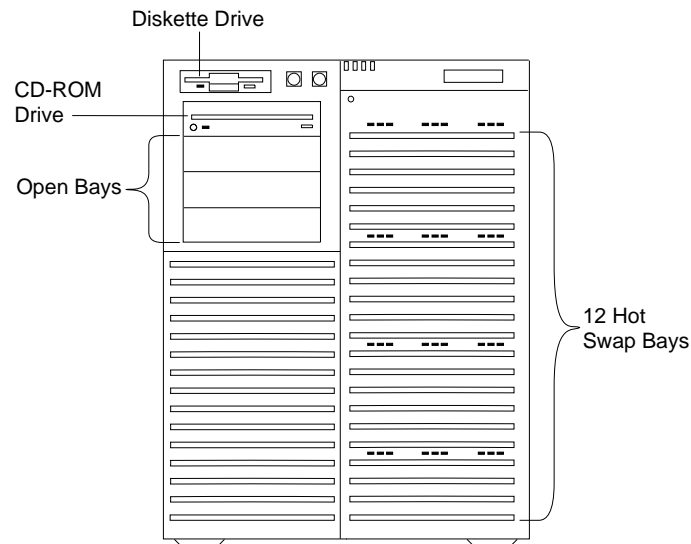
Device Records

Record expansion slot configuration information for your server in Table 11.

<i>Table 11. Expansion Slot Configuration Information</i>					
Expansion Slot	IRQ	DMA	I/O Port	ROM/RAM Address	Option Description and Additional Information
PCI Configuration					
PCI #1 Slot 1	_____	_____	_____	_____	_____
PCI #1 Slot 2	_____	_____	_____	_____	_____
PCI #1 Slot 3	_____	_____	_____	_____	_____
PCI #2 Slot 1	_____	_____	_____	_____	_____
PCI #2 Slot 2	_____	_____	_____	_____	_____
PCI #2 Slot 3	_____	_____	_____	_____	_____
EISA/ISA Configuration					
EISA/ISA Slot 1	_____	_____	_____	_____	_____
EISA/ISA Slot 2	_____	_____	_____	_____	_____
EISA/ISA Slot 3	_____	_____	_____	_____	_____
EISA/ISA Slot 4	_____	_____	_____	_____	_____
<p><i>Note:</i> Before manually setting values, review “Configuration Conflicts” on page 61 and follow the instructions for avoiding configuration conflicts.</p>					

Device Records

Refer to the following illustration of your server bays when completing Table 12 on page 286.



Note: If you attach a drive or other device to an adapter, record the descriptive information appropriately.

Device Records

Location	Drive or Device Description
Diskette Bay	_____
External Bay 1	_____
External Bay 2	_____
External Bay 3	_____
External Bay 4	_____
Bank 1 Bay 1	_____
Bank 1 Bay 2	_____
Bank 1 Bay 3	_____
Bank 1 Bay 4	_____
Bank 1 Bay 5	_____
Bank 1 Bay 6	_____
Bank 2 Bay 1	_____
Bank 2 Bay 2	_____
Bank 2 Bay 3	_____
Bank 2 Bay 4	_____
Bank 2 Bay 5	_____
Bank 2 Bay 6	_____

Table 12. Internal Drives and Devices

Device Records

Table 13. External Drives and Devices

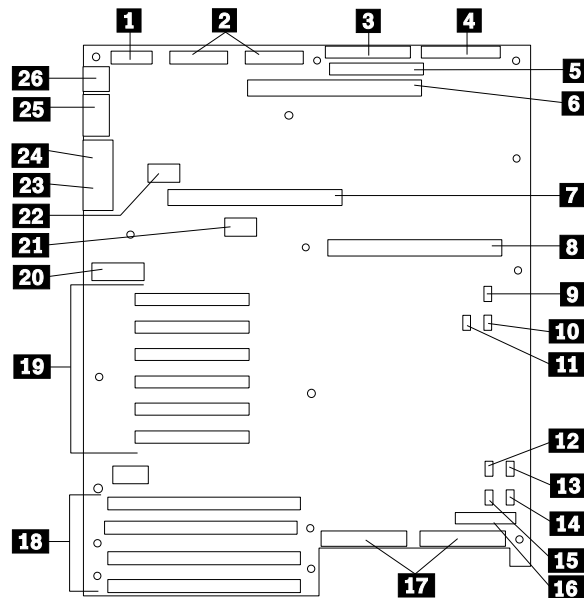
Location	External Devices
_____	_____
_____	_____
_____	_____
_____	_____
_____	_____
_____	_____
_____	_____
_____	_____
_____	_____
_____	_____
_____	_____
_____	_____
_____	_____
_____	_____
_____	_____
_____	_____
_____	_____
_____	_____
_____	_____
_____	_____

Note: If you attach a drive or other device to an adapter, be sure to record the descriptive information in the appropriate column in Table 11 on page 284 (in the same row as the expansion-slot number of the adapter).

The System Board

The following simplified layout of the system board identifies server components. You might need to refer to this figure before you install hardware in your server, or when you record information in the tables in “Installed Device Records” on page 280.

You might also need to refer to this figure when you set configuration switches and jumpers on the system board.



- 1** Power control and status cable
- 2** +5V, +12V, and 3.3V power connectors (identical)
- 3** Diskette-drive connector
- 4** Front-panel connector
- 5** Not used
- 6** Memory-board connector
- 7** Secondary processor-board connector
- 8** Primary processor-board connector
- 9** Fan 1 connector (not used)
- 10** Fan 2 connector (inner chassis fan)
- 11** Hard disk drive LED 1 connector

Changing Jumper and Switch Settings

- 12** Not used
- 13** Multiprocessing-bus connector (not used)
- 14** Fan 3 connector (outer chassis fan, upper)
- 15** Fan 4 connector (outer chassis fan, lower)
- 16** Hard disk drive LED 2 connector
- 17** SCSI channels 1 (right) and 2 (left) connectors
- 18** EISA slots 1–4 for adapters (slot 1 toward top, slot 4 toward bottom)
- 19** PCI slots 1–6 for adapters (slot 1 toward top, slot 6 toward bottom: Bus 0 = slots 1–3; Bus 1 = slots 4–6)
- 20** Configuration switches and jumpers
- 21** Real-time clock connector
- 22** Video memory DRAM connector
- 23** VGA monitor connector
- 24** Parallel-port connector
- 25** Serial-port connectors A (COM1) and B (COM2)
- 26** PS/2-compatible keyboard and mouse connectors

Changing Jumper and Switch Settings

Jumpers and switches are used to define configuration values on the system board, backplanes, adapters, and other devices. Refer to the documentation that comes with the devices for specific information about the appropriate jumper settings.

This section provides information on:

- Changing a jumper setting
- Setting the SCSI ID on a device or backplane
- Setting the system-board configuration jumpers
- Changing the system-board configuration switches

Changing Jumper and Switch Settings

Changing a Jumper Setting

A jumper covers pins on a pin block and might be positioned to the left or to the right. The jumper setting depends on which pins are covered.

To change a jumper setting:

1. Lift the jumper straight up off the pin block.
2. Slide the jumper down over the correct pins.

Note:

1. Always grip the narrow ends of the jumper when you use a pair of fine needle-nosed pliers to remove or install a jumper. Gripping the wide sides of the jumper can damage contacts inside of the jumper, causing intermittent problems.

Do not squeeze the pliers or other tool that you use to remove a jumper, or you might bend or break the stake pins on the board.

2. Jumper positions for system-board configuration jumpers are described and illustrated in “Setting System-Board Configuration Jumpers” on page 292.

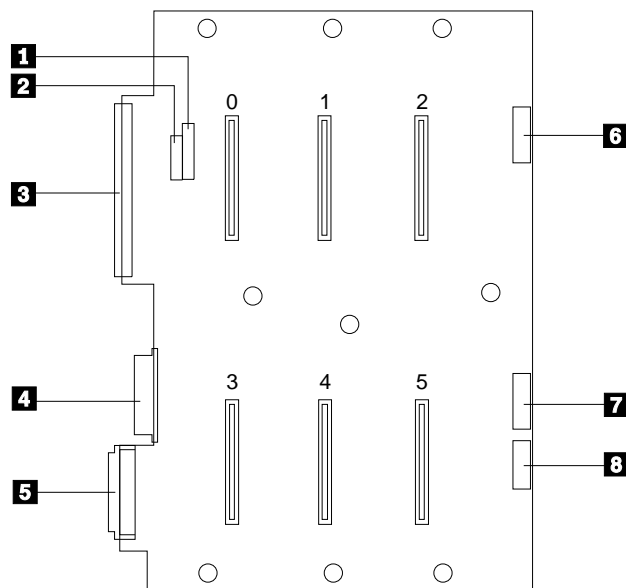
Setting SCSI ID Jumpers

If you install additional SCSI devices in the upper-left front bay, set their SCSI IDs so that they do not conflict with IDs used in the hot-swap bays.

Jumpers on the front of the SCSI backplanes define the SCSI IDs for hot-swap drives. See Table 14 on page 292 for the default SCSI IDs.

Changing Jumper and Switch Settings

The following illustration shows a SCSI drive backplane.



The connectors on the backplane are:

- 1** J4 SCSI ID jumper block
- 2** J3 SCSI ID jumper block
- 3** J8 Fast SCSI ID connector
- 4** J10 Power and ground from power distribution board
- 5** J15 Fast/Wide SCSI connector
- 6** J2 LED connector for drives 0, 1, and 2
- 7** J9 LED connector for drives 3, 4, and 5
- 8** J11 Multiprocessing-bus connector

Setting System-Board Configuration Jumpers

Table 14 shows the default SCSI IDs for hot-swap drives.

J3 Pins	J4 Pins	Bay 1 or 7	Bay 2 or 8	Bay 3 or 9	Bay 4 or 10	Bay 5 or 11	Bay 6 or 12
1-2	1-2	0	1	10	3	4	13
1-2	2-3	0	1	2	3	4	5 ¹
2-3	2-3	8	9	2	11	12	5 ¹
2-3 ²	1-2 ²	8	9	10	11	12	13

Notes:

1. See "Setting SCSI IDs for External Devices" on page 209 for rules about setting SCSI IDs for devices.
2. This is the default jumper setting.

Setting System-Board Configuration Jumpers

Table 15 summarizes the settings for the system-board configuration jumpers.

Jumper	Pins	Description
J6A1, BIOS Recovery	1-2 ¹	Sets BIOS boot block to normal startup mode.
	2-3	Enables the BIOS flash memory recovery mode.
J6A1, BIOS Boot Block	1-2 ¹	Sets the BIOS boot block as write-protected.
	2-3	Sets the BIOS boot block as programmable.
J6A2, Video Sleep	1-2 ¹	Sets address of Video Sleep Register to 03C3H.
	2-3	Sets address of Video Sleep Register to 46E8H.

Setting System-Board Configuration Jumpers

Table 15 (Page 2 of 2). Configuration Jumper Settings

Jumper	Pins	Description
J6A4, BIOS Write	1-2	Disables BIOS update of flash memory.
	2-3 ¹	Enables BIOS update of flash memory.
<i>Notes:</i> <ol style="list-style-type: none">1. This is the factory default setting.2. Do not change the settings for the other system-board jumpers. These jumper settings should remain as set at the factory, unless changed by an IBM service technician.		

Enabling BIOS Recovery Mode (J6A1)

The flash memory contains a protected area that cannot be corrupted. The code in this area enables the server to start from a diskette when the BIOS becomes corrupted, for example, if a power failure occurs during a flash update. After starting, the Flash Memory Update Utility automatically recovers the system BIOS from the BIOS recovery files on the diskette.

Notes:

- The BIOS recovery jumper, J6A1, must be set to pins 2 and 3 to enable the BIOS flash memory recovery mode.
- If you have mapped the BIOS of an adapter to any part of the E0000H address range, you must either map it to another area before completing a recovery procedure, or physically remove the adapter from the system.
- Before you run the recovery procedure, verify that the BIOS write jumper, J6A4, is set to its default position at pins 2 and 3.

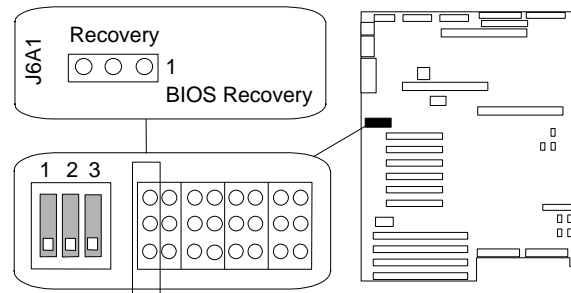
Setting System-Board Configuration Jumpers

Before you start, be sure that you have:

- Read “Electrical Safety” on page 75 and “Handling Static-Sensitive Devices” on page 77.
- Removed the left side cover (as viewed from the front of the server; see “Removing the Side Covers” on page 81).

To recover the BIOS, do the following:

1. Identify the BIOS recovery jumper, J6A1.



2. If the processor board blocks access to the jumper, remove it (see steps 2 through 5 on page 106).
3. Move the jumper to pins 2 and 3. This enables the recovery mode.
4. If you removed the processor board, install it (see steps 12 on page 108 through 12e on page 110).
5. Insert the flash memory update diskette into the primary diskette drive (usually drive A).
6. Connect the power cable to the server.
7. Start the server.

After the server successfully completes POST, the speaker emits a single beep and the recovery process starts (the process takes about three minutes). During the recovery process, no messages are displayed on the monitor, and the keyboard is disabled. When the recovery process is complete, the server emits two beeps.

Setting System-Board Configuration Jumpers

- Removed the left side cover again (see “Removing the Side Covers” on page 81), and move the jumper back to its original position (pins 1 and 2, factory default).
- Complete the installation (see “Completing the Installation” on page 201).

Setting the BIOS Boot Block Jumper (J6A1)

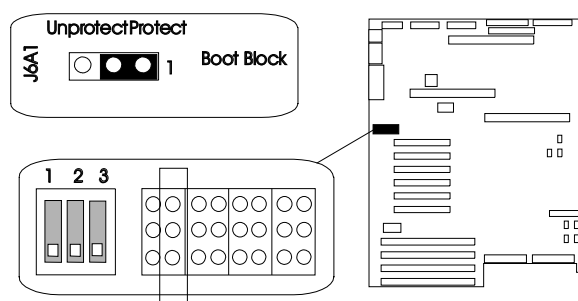
Before you start, be sure that you have:

- Read “Electrical Safety” on page 75 and “Handling Static-Sensitive Devices” on page 77.
- Removed the left side cover (as viewed from the front of the server; see “Removing the Side Covers” on page 81).

Note: Do not mistake this jumper block for the ones on either side.

To be able to program the boot block, do the following steps:

- Identify the BIOS boot block jumper, J6A1.



- If the processor board blocks access to the jumper, remove it (see steps 2 through 5 on page 106).

Setting System-Board Configuration Jumpers

3. Set the BIOS boot block jumper:
 - a. To remove the write-protection from the BIOS boot block, move the jumper to pins 2 and 3.
 - b. To set the write-protection on the BIOS boot block, move the jumper to pins 1 and 2 (factory default).
4. If you removed the processor board, install it (see steps 12 on page 108 through 12e on page 110).
5. Complete the installation (see “Completing the Installation” on page 201).

Setting the Video-Sleep-Register Address (J6A2)

Before you start, be sure that you have:

- Read “Electrical Safety” on page 75 and “Handling Static-Sensitive Devices” on page 77.
- Removed the left side cover (as viewed from the front of the server; see “Removing the Side Covers” on page 81).

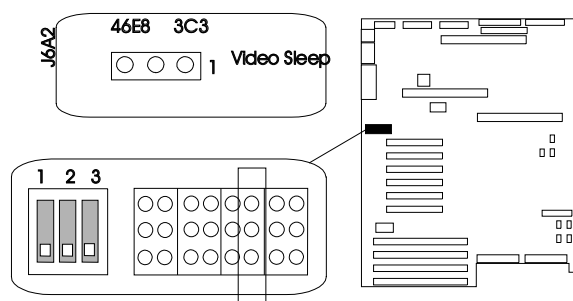
The Video-Sleep-Register jumper determines which I/O port the SVGA controller uses for its internal AT mode setup port. The starting address of the default port is 03C3H (pins 1 and 2). When this jumper is set to pins 2 and 3, the Video-Sleep-Register address changes to 46E8H.

If no keyboard activity occurs after a specified timeout period (1 to 128 minutes, as specified through the Setup program), the Video-Sleep-Register jumper blanks out the monitor screen. When this happens, you must enter a password to reactivate the monitor and keyboard.

Setting System-Board Configuration Jumpers

To change the location of the Video Sleep Register, do the following steps:

1. Identify the Video-Sleep-Register jumper, J6A2.

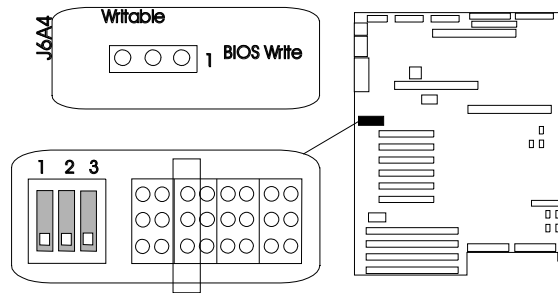


2. If the processor board blocks access to the jumper, remove it (see steps 2 through 5 on page 106).
3. Set the address of the Video-Sleep Register:
 - a. To set the address to 03C3H (factory default), move the jumper to pins 1 and 2.
 - b. To set the address to 46E8H, move the jumper to pins 2 and 3.
4. If you removed the processor board, install it (see steps 12 on page 108 through 12e on page 110).
5. Complete the installation (see “Completing the Installation” on page 201).

Setting System-Board Configuration Jumpers

Setting the BIOS Write Jumper (J6A4)

19 Attention: Only a qualified, technical person knowledgeable about boot block update utility programs should change the BIOS Write Jumper (J6A4-1) setting.



This jumper enables updating the BIOS in flash memory with a special utility. The factory default leaves this function enabled so that you can update the BIOS from a startable diskette without having to open the server covers and change the jumper.

Contact your IBM reseller or IBM marketing representative for a copy of the utility that updates the BIOS.

Setting System-Board Configuration Switches

Setting System-Board Configuration Switches

Some configuration actions are controlled through switches on the system board. Table 16 summarizes the switch settings that correspond to these actions.

Switch	Position	Function
S6A1-1	On	Resets NVRAM and the Real-Time Clock (RTC) to the factory defaults on system startup.
	Off ¹	Retains current CMOS settings on system startup.
S6A1-2	On	Clears the user and administrative passwords on system startup.
	Off ¹	Passwords can be entered or changed.
S6A1-3	Off ¹	Reserved
<i>Notes:</i>		
1. This is the factory default.		
2. Do not change the settings for switches S6A1-4, S6A1-5, S6A1-6, or S6A1-8. These switch settings should remain as set at the factory.		

Resetting NVRAM and the RTC (Switch S6A1-1)

Setting the CMOS switch to On clears the current values of NVRAM and the RTC when the server is reset. This returns NVRAM and the RTC to the factory default.

When the CMOS switch is set to Off, the default, the current settings are preserved during system reset.

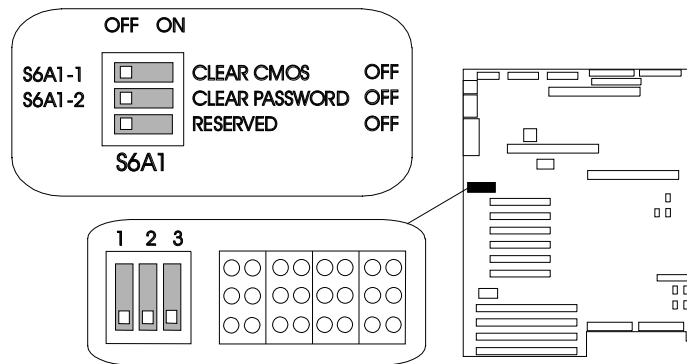
Before you start, be sure that you have:

- Read “Electrical Safety” on page 75 and “Handling Static-Sensitive Devices” on page 77.
- Removed the left side cover (as viewed from the front of the server; see “Removing the Side Covers” on page 81).

Setting System-Board Configuration Switches

To reset the server's NVRAM and RTC settings to the factory default values, do the following steps:

1. Remove the bottom processor board.
2. Locate the configuration switches on the system board.



3. Slide switch S6A1-1 to On.
4. Replace the bottom processor board.
5. Connect the power cords to the server and the monitor.
6. Turn on the server and the monitor; then, wait for POST to complete. This automatically reprograms the NVRAM and RTC to their factory settings.
7. Turn off the server and the monitor.
8. Disconnect the power cords from the server and monitor.
9. Remove the bottom processor board.
10. Slide switch S6A1-1 to Off.
11. Replace the bottom processor board.
12. Complete the installation (see "Completing the Installation" on page 201).

Setting System-Board Configuration Switches

Clearing All Passwords (Switch S6A1-2)

Setting the password switch to On clears the administrative and user passwords.

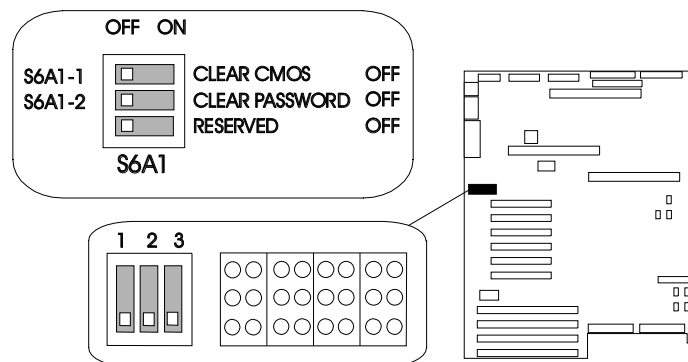
When the password switch is set to Off, the default, you can enter an administrative or user password, or both.

Before you start, be sure that you have:

- Read “Electrical Safety” on page 75 and “Handling Static-Sensitive Devices” on page 77.
- Removed the left side cover (as viewed from the front of the server; see “Removing the Side Covers” on page 81).

To clear the administrative and user passwords or allow a password to be set, do the following steps:

1. Remove the bottom processor board.
2. Locate the configuration switches on the system board.



3. Slide switch S6A1-2 to On.
4. Replace the bottom processor board.
5. Connect the power cords to the server and the monitor.
6. Turn on the server and the monitor; then, wait for POST to complete. This automatically clears the administrative password.

Setting System-Board Configuration Switches

7. Turn off the server and the monitor.
8. Disconnect the power cord from the server and monitor.
9. Remove the bottom processor board.
10. Slide switch S6A1-2 to Off.
11. Replace the bottom processor board.
12. Complete the installation (see “Completing the Installation” on page 201).
13. Run the System Configuration Utility to specify a new administrative password, user password, or both (see “Defining Security” on page 52).

Appendix B. Notices

References in this publication to IBM products, programs, or services do not imply that IBM intends to make these available in all countries in which IBM operates. Any reference to an IBM product, program, or service is not intended to state or imply that only that IBM product, program, or service may be used. Subject to IBM's valid intellectual property or other legally protectable rights, any functionally equivalent product, program, or service may be used instead of the IBM product, program, or service. The evaluation and verification of operation in conjunction with other products, except those expressly designated by IBM, are the responsibility of the user.

IBM may have patents or pending patent applications covering subject matter in this document. The furnishing of this document does not give you any license to these patents. You can send license inquiries, in writing, to:

IBM Director of Licensing
IBM Corporation
500 Columbus Avenue
Thornwood, NY 10594
U.S.A.

Trademarks

The following terms are trademarks of the IBM Corporation in the United States or other countries or both:

AT	HelpWare
IBM	LANStreamer
Operating System/2	OS/2
Personal System/2	PowerPC
PS/2	ThinkPad
ValuePoint	XGA
XT	

Trademarks

The following terms are trademarks of other companies:

Adaptec	Adaptec, Inc.
America Online	America Online, Inc.
Cirrus Logic	Cirrus Logic, Inc.
CompuServe	CompuServe Incorporated
DiagSoft	DiagSoft, Inc.
Hercules	Hercules Computer Technology
Hitachi	Hitachi Ltd.
Intel	Intel Corporation
NetWare	Novell, Inc.
Novell	Novell, Inc.
Pentium	Intel Corporation
PRODIGY	Prodigy Services Company
QAPLus	DiagSoft, Inc.
QAPLus/PRO	DiagSoft, Inc.
Samsung	Samsung Electronics Co., Ltd.
SCSISelect	Adaptec, Inc.

Microsoft, Windows, and Windows NT are trademarks or registered trademarks of Microsoft Corporation.

UNIX is a registered trademark in the United States and other countries licensed exclusively through X/Open Company Limited.

Other company, product, and service names, which may be denoted by a double asterisk (**), may be trademarks or service marks of others.

Numerics

- 1-800 telephone assistance 4, 271
- 1-900 number support 274
- 100/10 PCI Ethernet Adapter
 - configuring for other operating systems 69
 - configuring for Windows NT Server 3.51 68
 - description 67
 - instructions 69
 - troubleshooting 253
- 101-key keyboard 3
- 102-key keyboard 3
- 115 V ac 3
- 16-bit devices
 - cable required 159, 208
 - connector on SCSI backplane 159, 208
 - SCSI IDs supported 162
- 230 V ac 3
- 25-pin parallel port 10
- 8-bit devices
 - cable required 159
 - connector on SCSI backplane 159, 208
 - SCSI IDs supported 162
- 9-pin serial port 10
- 9-pin-to-25-pin adapter 10, 11

A

- about this book xiii
- accessing
 - America Online 271
 - CompuServe 270
 - diskettes 44
 - electronic support services 270
 - file editor 267
 - HelpWare support family 269
 - network support services 272, 274

- accessing (*continued*)
 - operating system 55
 - operating system updates 276
 - PC support services 273
 - PRODIGY 270
 - SCSISelect Utility program 64
 - server support services 272, 274
 - Setup program 42, 54, 55
 - support line services 275
 - System Configuration Utility program 47, 54, 55
 - technical support services 273
 - World Wide Web 4, 271, 273
- adapter
 - automatic configuration 144
 - bus-master 143
 - compatibility 145
 - considerations 145
 - deactivated 62
 - EISA/ISA locations 145, 283
 - illustration 145
 - installing 143, 146
 - jumpers and switches, changing 62
 - location 143, 145, 281
 - network 143
 - network, compatibility with device drivers 149
 - PCI locations 145, 283
 - RAID 3, 10, 143
 - removing 151
 - requirements 144
 - SCSI-2 3, 10, 163
 - types 145
 - using, with external devices 208
 - video 144
- adding
 - adapter 143, 146
 - board-support panel 100, 111, 121

- adding (*continued*)
 - external options 207, 210
 - internal drive 156, 158
 - memory to server 113
 - power supply 194
 - processor boards 97, 108
 - security for server 200
 - test programs 263
 - video memory 131
- adjusting
 - chair 23
 - controls 24
 - lighting 24
 - monitor 23
- administrative password
 - forgotten 54, 301
 - purpose 54, 200
 - setting 54
- Advanced Configuration Options 65
- advanced functions
 - System Configuration Utility program 46
- advantages of product 1, 156
- air circulation 23, 24
- air circulation clearances 37
- air vents 24
- America Online 271
- antiglare filter 24
- architecture
 - EISA 58, 59, 145
 - ISA 58, 59, 145
 - PCI 58, 145
- arranging workspace 23
- array
 - See also* your RAID adapter documentation
 - hard disk drive SCSI IDs 160
- assistance and service 4, 36

- automatic configuration
 - Plug and Play devices 144
- auxiliary-device connector 10, 11

B

- back view 10
- backing up
 - configuration information 46
 - System Configuration Utility program 46
- backplane
 - connections
 - locations 161
 - to bays 160
 - jumper
 - locations 171
 - purpose 160
 - locations 291
 - preset 164
 - purpose 290
 - SCSI IDs
- banks
 - memory 113, 114
- battery
 - disposal xii, 137
 - handling precautions xii, 137
 - ordering replacements 138
 - replacing 137
- battery-backed clock 3
- baud rate
 - cable requirements 67, 69, 70
- bays
 - See also* the *User's Reference*
 - drive types and sizes 158
 - expansion 3, 14, 156
 - general information
 - installing drives 158, 163
 - preinstallation steps 163
 - removing drives 180

- bays (*continued*)
 - hot-swap bays
 - installing a drive in 173
 - removing a drive from 189
 - identification 156
 - internal drive locations 158, 286
 - locations 156
 - upper left front bays
 - installing a drive in 165
 - preinstalled CD-ROM drive 158
 - removing a drive from 181
- beep codes
 - POST 216, 244
- before you begin 17, 74
- BIOS (basic input/output system)
 - See also the User's Reference*
 - boot block jumper (J6A1) 295
 - recovery jumper (J6A1) 293
 - upgradable 3
 - upgrading 3
 - write jumper (J6A4) 298
- blank screen 247
- bolt-down capability 3
- boot
 - sector, write-protecting 55
 - sequence 54, 56
- broken cover lock 248
- bulletin boards 270
- bus master
 - adapters 143
 - capability 10, 11
- buttons 6

C

- cables
 - See also the User's Reference*
 - category 5 67, 70, 253
 - connector on SCSI backplane 159

- cables (*continued*)
 - crossover 253
 - for Storage Enclosure 207
 - keyboard 80
 - lengths 25
 - maximum lengths for SCSI devices 208
 - power
 - See the User's Reference*
 - removing 75, 80
 - requirements for attaching external devices 208
 - safety ix
 - SCSI 208
- cache
 - See also the User's Reference*
 - memory 3
- calculating maximum SCSI cable lengths 208
- calendar, battery-backed 3
- cards
 - connector locations 97, 108
 - memory, installing 121, 128
 - memory, removing 118, 125
 - processor boards, installing 97, 99, 108
 - processor boards, removing 89
 - support panel, installing 100, 111, 121
 - support panel, removing 90, 105, 117
- Category 5 cables 67, 70, 253
- caution
 - battery handling xii, 137
 - clearances for air circulation 37
 - general information 17
 - handling static-sensitive devices 77
 - laser compliance statement x
 - lifting the server 16

- caution (*continued*)
 - removing covers 81
 - removing wrong disk drive 189
- CD-ROM drive
 - See also the User's Reference*
 - in-use light 9
 - locations 157
 - preinstalled 14, 156, 158
 - SCSI ID
 - setting 209
 - value 162
 - sizes 158
 - standard 3
 - using 21
- CD-ROMs
 - cleaning 245
 - eject button 7
 - laser compliance statement x
 - ordering 31
 - problems 245
 - startable 65
- chair adjustments 23
- changing
 - configuration
 - defaults 45, 49
 - resource allocations 62
 - settings 41, 46, 49
 - device function 45, 49
 - device jumpers and switches 62
 - drive-startup sequence 56
 - jumper settings 62, 289, 290
 - memory addresses 62
 - software configuration 63
 - switch settings 62
 - termination on SCSI devices 162
 - termination on SCSI-2
 - connectors 162
- channels, SCSI 208, 209
- checklist, installation 37
- circulation, air 24
- cleaning
 - CD 245
 - monitor 24
- clearances for air circulation 37
- clearing CMOS 299
- clearing passwords 301
- clock
 - battery-backed 3
 - real-time, replacing 137
- comfort 23
- Command Line Options 223
- communication
 - See also the User's Reference*
 - modem and fax requirements for
 - the United Kingdom 75, 205
 - requirements ix
- compatibility
 - adapter 144, 145
 - tests 273
 - video 3
- complementary metal oxide
 - semiconductor (CMOS)
 - resetting 299
- completing the installation 201
- CompuServe 270
- configuration
 - adapter
 - for full duplex 70
 - for operating systems 69
 - for Windows NT Server
 - 3.51 68
 - locations 281
 - advanced options 49
 - automatic, for Plug and Play
 - devices 144
 - conflicts 61
 - default settings 281
 - changing 41, 45, 49
 - recording and restoring 43, 51

- configuration (*continued*)
 - device records 281, 283
 - disk array
 - See your RAID adapter documentation
 - extended industry-standard architecture (EISA)
 - adapter locations 145
 - Configuration Diskette 145
 - devices 46
 - features and options 59
 - files (.CFG) 58, 59
 - hardware change 232
 - industry-standard architecture (ISA)
 - adapter locations 145
 - features and options 59
 - jumpers
 - See system board, configuration jumpers
 - memory 114
 - NVRAM 41, 45
 - overview 40
 - peripheral component interconnect (PCI) architecture
 - adapter locations 145
 - devices 40, 58
 - power-on self-test (POST) 55, 58
 - SCSI
 - See the *SCSI Software User's Guide*
 - Setup program 41
 - switches
 - See system board, configuration switches
 - System Configuration Utility program 45
 - Configure/View Host Adapter Settings 65
- configuring your server 39
- conflicts, configuration 61
- connecting
 - adapter 143
 - cables
 - requirements for external devices 208
 - safety requirements ix, 205
 - external options 207, 210
 - internal drives
 - all bays 156, 158
 - telephone line 205
- connectors
 - See also the *User's Reference*
 - default settings 282
 - descriptions 11
 - device records 281
 - expansion slots 10, 143
 - input/output locations 10
 - keyboard 10
 - memory 113, 116, 126
 - monitor 10
 - mouse 10
 - on SCSI-2 adapter
 - input/output connectors 10
 - invalid 243
 - maximum SCSI cable lengths 208
 - parallel device 10
 - pointing device 10
 - printer 10
 - processor boards 97, 108
 - rear view of server 10
 - SCSI
 - cable requirements 159
 - location 10
 - rules for using 207
 - serial device 10, 282
 - video memory 131, 133

- considerations
 - cable requirements 208
 - device drivers 36
 - installing
 - adapters 145
 - external SCSI devices 207
 - internal drives 156, 158
 - operating system 34
 - security 200
 - ServerGuide 28
 - software 35
- controller
 - See also the User's Reference*
 - devices supported 208
 - integrated video 3, 144
 - SCSI-2 adapter 163
 - server 6
 - video 3
- controlling diskette drive access 44
- controls
 - front panel 6
 - monitor 18
- cooling-failure light 8, 9
- cords, power
 - See power cords*
- corrective service diskette (CSD) 276
- cover
 - installing 201, 203
 - removing 81, 83
- cover lock broken 248
- CPU (central processing unit)
 - See microprocessor*
- CSD 276
- current-good light 13
- customer assistance
 - error messages 217
 - getting assistance 4, 36
 - online 42, 269
 - ordering publications xvi, 277

- customer assistance (*continued*)
 - solving problems 4, 36
 - telephone numbers 4, 36
 - toll-free numbers 4, 36
 - World Wide Web 4, 271, 276

D

- damaged system
 - cover lock broken 248
 - dropped 261
 - spilled liquid 262
- DASD (direct access storage device)
 - See also the User's Reference*
 - backplane 158
- date, setting 42
- deactivated adapters 62
- default
 - configuration values 281
 - drive-startup sequence 56
 - settings, recording and restoring 43, 51
 - values for System Configuration Utility program 281
 - video memory 282
- defective hard disk drive 189, 190
- description
 - chapters and appendixes xiii
 - device drivers 36, 60
 - diagnostic messages 218
 - drive 156
 - error messages 217, 232
 - hot-swap drive 156
 - integrated video controller 144
 - notices xv
 - related publications xvi
 - SCSI IDs 160
 - server 1
 - software messages 218
 - system features 3

- device
 - adapter locations 281
 - drivers
 - compatibility with network adapters 149
 - considerations 36
 - hardware 36
 - external 207
 - failing 250
 - jumpers and switches, changing 62
 - locations
 - default 281
 - drives 286
 - EISA/ISA adapters 145, 284
 - PCI adapters 145, 284
 - number supported 208
 - Plug and Play 144
 - preinstalled 14, 156
 - records 281
 - SCSI 159
 - static-sensitive, handling 77
- diagnostic
 - Command Line Options 223
 - description 216
 - files 60
 - formatting diskettes 265
 - insufficient memory for 223
 - main menu 220
 - starting 225
 - tools overview 214
 - using the file editor 265
- Diagnostic Diskette
 - starting 225
- disabling diskette drives 44
- disconnecting
 - adapter 151
 - board-support panel 90, 105, 117
 - cables
 - before installing options 80
 - disconnecting (*continued*)
 - cables (*continued*)
 - electrical safety requirements ix, 75
 - hot-swap drives 189
 - memory-module kits 124
 - power supply 197
 - processor boards 91, 106
 - telephone line 79
- disk array
 - See also* RAID (redundant array of independent disks)
 - See also* your RAID adapter documentation
 - adapter 3
 - controller 3
 - installing hard disk drives 177
- disk drive
 - See* hard disk drives
- diskette drives
 - See also* the *User's Reference*
 - 1.44 MB 3
 - disabling 44
 - eject button 7
 - in-use light 9
 - installing 165
 - preinstalled 14
 - problems 246
 - removing 181
 - sizes 3, 158
- diskettes
 - See also* the *User's Reference*
 - backing up 46
 - corrective service 276
 - for installing operating system 17
 - option 218
 - ordering 31
 - starting test programs from 225
 - support 38

- diskettes (*continued*)
 - video device driver, installing 38
- display
 - See* monitor
- disposing of batteries xii, 137
- DMA (direct memory access)
 - See* the *User's Reference*
- door lock 3, 7
- drive-failure light 9
- drivers
 - See also* the *User's Reference*
 - compatibility with network adapters 149
 - considerations 36
 - description 60
 - hardware 36
 - installing 38
 - video diskettes, installing 38
- drives
 - See also* the *User's Reference*
 - CD-ROM 3
 - using 21
 - description 156
 - diskette 3
 - fault indicator 8
 - full-high 158
 - half-high 158
 - hard disk 3
 - See also* hard disk drives
 - hot-swap 3, 156, 158
 - identification 156
 - installation hardware for 158
 - installation requirements 156, 158
 - installing
 - all bays 156, 163
 - hot-swap 173
 - upper-left front 165
 - location
 - by drive type 158

- drives (*continued*)
 - location (*continued*)
 - device records 286
 - illustration 156
 - locations 14
 - non-hot-swap 164
 - position 163
 - preinstalled 14, 156
 - removing
 - all bays 180
 - general information 180
 - hot-swap 188, 189
 - hot-swap bays 189
 - SCSI 159, 163
 - SCSI hard disk 3
 - setting switches and jumpers 164
 - sizes 158
 - startup sequence 56, 282
 - status indicators 8
 - types 156, 158
- dropped system 261
- duplexing 69
- duplicate keys 279

E

- editor, ASCII text 265, 267
- EISA (extended industry-standard architecture)
 - See also* the *User's Reference*
 - adapters
 - configuration 58
 - installation 146, 149
 - locations 145
 - removal 151, 154
 - default settings, recording and restoring 43, 51
 - features and options 59

- eject button
 - CD-ROM 7
 - diskette drive 7
- electrical outlets 25
- electrical safety ix, 75
- electromagnetic interference (EMI)
 - metal panel 174
 - removing shielding 168
- electronic support 270
- electrostatic discharge (ESD) 77
- error messages
 - description 217
 - diagnostic 217, 218
 - numeric 232
 - POST 217, 232
 - software 218, 219
 - types 217
- Ethernet adapter
 - cabling 70
 - configuring for full duplex 70
 - configuring for operating systems 69
 - hubs 70
 - setting duplex mode 70
- expansion bays 3, 14, 156
- expansion slots
 - adapter installation 146
 - adapter locations 145, 281, 283
 - description 3, 143
 - location 10, 11
 - location in server 10
- extended industry-standard architecture (EISA)
 - See EISA (extended industry-standard architecture)
- extension cords 25
- external
 - device records 281, 283, 286
 - options, connecting 207, 210
 - SCSI cable
 - maximum lengths 208

- external (*continued*)
 - SCSI cable (*continued*)
 - using 208
 - SCSI connector
 - location 10
 - rules for using 207
 - SCSI devices
 - IDs 209
 - views 10, 14

F

- failed hard disk drive 189, 190
- fan problems 248
- fast Ethernet hubs 70
- fatigue 23
- fax, getting information by 271
- features
 - See also the *User's Reference*
 - 1.44 MB diskette drive 3
 - at a glance 3
 - diskette drive 3
 - diskette drives 3
 - door lock 3
 - drive-startup sequence 56
 - EISA, configuring 59
 - front view 14
 - hard disk drive 3
 - hot-swap drives 156
 - internal 281, 283, 286
 - internal cache 3
 - ISA, configuring 59
 - math coprocessor 3
 - memory 3
 - microprocessor 3
 - PCI bus 1
 - Pentium 3
 - rear view 10
 - records 280
 - security
 - administrative password 54

- features (*continued*)
 - security (*continued*)
 - general information 200
 - padlock loops 12, 13
 - secure mode 57
 - summary 3
 - user password 55
 - summary 3
- Federal Communications Commission (FCC) information
 - See the User's Reference*
- fee services 273
- File Editor
 - accessing 267
 - using 265
- filler panel frame
 - installing 172
 - removing 166
- fixed disk
 - See hard disk drives*
- Fixpaks, OS/2 LAN Server 32
- flash memory 3
 - See also the User's Reference*
- forgotten password 54, 301
- format, low-level
 - non-disk-array model 66
- formatting diskettes 265
- formatting drives 66
- front panel controls 6
- front view 14
- full duplex, configuring the Ethernet adapter for 70
- full-high drives 158
- function keys, using 221
- functions, integrated 3

G

- general information
 - before installing options 74

- general information (*continued*)
 - before you begin 17
 - controls 6
 - device drivers 36
 - error messages 217
 - expansion bays 14
 - input/output connectors 10
 - installing drives 158, 163
 - removing drives 180
 - security 200
 - status indicators 8
 - using CD-ROM drive 21
 - using ServerGuide 28
- general problems 248
- getting help and service 4, 36, 269
- getting started 27, 214
- glare 24
- glossary
 - See the User's Reference*
- grounding clip
 - for removable-media drive 169

H

- half-high drives 158
- handling static-sensitive devices 77
- hard disk drives
 - See also the User's Reference*
 - arrays
 - reconfiguring, after installing hard disk drives 172, 177
 - reconfiguring, after removing hard disk drives 191
 - consequences of removing wrong drive 189
 - fault light 9
 - hot-swap 156, 158
 - in-use light 9
 - installing 173
 - low-level format 66

- hard disk drives (*continued*)
 - number supported 3
 - power-on light 9
 - preinstalled 14
 - removing 189
 - SCSI 163
 - SCSI ID 162
 - sizes 158
 - status indicators 8
 - supported 3
 - types 158
 - hardfile
 - See hard disk drives
 - hardware
 - installation 164
 - help 269
 - See also customer assistance
 - HelpWare 271
 - highlights 1
 - home page, IBM Personal Computer 271
 - hot-swap drives
 - advantage 156
 - description 156
 - drive carrier 176
 - installing 156, 158
 - LED 189
 - removing 188
 - Hot-Swap Storage Expansion Enclosure 207
 - hubs, Ethernet 70
- I**
- IBM service center
 - See telephone numbers
 - identification numbers 279
 - in-use lights 9, 246, 248
 - indicators, status
 - hard disk drive 8
 - indicators, status (*continued*)
 - hot-swap drive 259
 - power supply 12, 258
 - troubleshooting 258, 259
 - industry-standard architecture (ISA)
 - See ISA (industry-standard architecture)
 - information panel 9
 - input/output (I/O)
 - connectors
 - See connectors
 - port descriptions 11
 - port locations 10
 - installation
 - checklist 37
 - completing 201
 - diskettes 31
 - hardware 74, 158, 164
 - preparing for 78
 - problems 250
 - requirements 158
 - installing
 - adapters 143, 146
 - application programs 38
 - board-support panel 100, 111, 121
 - cables 205
 - cover 201
 - device drivers 38
 - external options 207, 210
 - filler panel 172
 - hard disk drives 165, 173
 - hot-swap drives 156, 158
 - internal drives
 - all bays 156
 - considerations 158
 - general information 156
 - hot-swap 173
 - locations 156
 - preinstallation steps 163
 - SCSI 159

- installing (*continued*)
 - internal drives (*continued*)
 - types and sizes for each bay 158
 - upper-left front bay 165, 181
 - internal options 73
 - memory boards 121, 128
 - memory-module kits 113
 - microprocessor 86
 - network adapters 149
 - operating system 29
 - options 38
 - OS/2 LAN Server 32
 - OS/2 operating system 31
 - overview 27
 - power supply 194
 - processor boards 97, 99, 108
 - real-time clock 140
 - removable-media drives 165, 181
 - SCSI drives 163
 - side cover 203
 - software 38
 - support diskettes 38
 - test programs 263
 - top cover 201
 - video device driver diskettes 38
 - video memory 131
 - Windows NT Server 3.51 34
- insufficient memory 223
- integrated
 - functions 3
 - video controller 3, 144
- interfaces
 - See the User's Reference*
- interleaved memory 3
- intermittent problems 248
- internal
 - device records 281, 283, 286
 - drives
 - considerations 158
- internal (*continued*)
 - drives (*continued*)
 - installing (all bays) 156
 - installing (general information) 156
 - installing (hot-swap) 173
 - installing (upper-left front) 165
 - locations 158
 - removing (general information) 180
 - removing (hot-swap) 188, 189
 - SCSI 159
 - sizes 158
 - maximum SCSI cable lengths 208
 - options, installed 281
 - preinstalled 14, 156
 - SCSI devices, terminating 162
 - setting jumpers 164
- international warranty service 272
- introduction 1
- IntruderAlert 225
- ISA (industry-standard architecture)
 - See also the User's Reference*
- adapters
 - configuration 58
 - installation 146, 149
 - locations 145
 - removal 151, 154
- features and options 59

J

- jumpers
 - backplane requirements 160
 - BIOS boot block (J6A1) 295
 - BIOS recovery (J6A1) 293
 - BIOS write (J6A4) 298

jumpers (*continued*)
changing a setting 62, 290
configuration
 See system board,
 configuration jumpers
microprocessor 87
on internal drives 164
settings 289
video-sleep-register address
 (J6A2) 296

K

keyboard
angle of 23
arm and wrist position 23
cable 80
connector 10, 11
lock 3
port 3, 10
problems 248, 249
standard 3
types 3
keys
file editor 265
function 221
program navigation 221
replacing 279
serial number 279
kits, memory-module
 See also memory-module kits
 sizes 281

L

LAN (local area network)
 See also the *User's Reference*
 Server Fixpaks 32
 Server installation 32
laser compliance statement x

LEDs (light-emitting diodes)
for hot-swap drives 189
status indicators 9
lifting the server, caution 16
lighting 24
lights
current-good 13
hard disk drive status 8
hot-swap drive 259
not working 248
Power On indicator 8, 19
power-supply status 12, 13
status indicators 9
system status 8
liquid spilled on system 262
locations
adapters 143, 145
bays 156
devices 286
drives 286
expansion slots 143
external SCSI connector 163
features 10, 14
internal drives 156, 158
jumpers 289
memory 113
memory-module kits 113
Power On indicator 8, 19
Power On/Off button 18, 19
processor boards 97, 108
server identification
 numbers 279
server records 281, 283, 286
termination 162
video memory 131, 133
lock
cover, broken 248
door 3, 7
keyboard 3
padlock loops 3, 12, 13

lockout timer 282
loss of data 189
Low-Level Format program
 See also the SCSI Software User's Guide
 backing up files 66
 overview 66
 using 66
 when to use 66

M

maximum SCSI cable lengths 208
media types 158
memory
 See also the User's Reference
 bank 113, 114
 cache 3
 card
 installing 121, 128
 removing 118, 125
 configurations 114
 default settings 283
 device records 281
 features 3
 insufficient 223
 nonvolatile 41, 45
 parity 114
 specifications 113
 standard 3
 video 131
memory-module kits
 compatibility requirements 113
 connector locations 113
 installing 113
 purpose 113
 removing 124
 sizes 113
 speed 113

menus
 Diagnostic Diskette 220
 Local 222
 Module Tests 228
 Options 229
 SCSISelect Utility program 65
 Setup program 41
 System Configuration Utility program 46

messages
 diagnostic 218
 error 217, 232
 POST 232
 SCSI 243

microprocessor
 See also the User's Reference
 capabilities 1
 description 3
 dual 1
 installing 86
 jumper 87
 Pentium Pro 1, 3
 preinstalled 92
model features 3
model number 279
module test
 description 220
 starting 227
 test group 226
 using 227

monitor
 See also the User's Reference
 adjusting of 23
 blank screen 247
 connector 10, 11
 controller 144
 controls 18
 distorted screen 247
 dusting of 24
 jittering screen 247

- monitor (*continued*)
 - placement of 24
 - problems 247
 - rolling screen 247
 - self-tests 246
 - signal cable 11
 - video port 3
 - wavy screen 247
- mouse
 - See also the User's Reference*
 - connector 10
 - port 3
 - problems 248, 249
 - standard 3
- moving the server 16

N

- network
 - See also LAN (local area network)*
 - adapters
 - See also your network-adapter documentation*
 - compatibility with device drivers 149
 - and server startup support 272
 - and server support services, fee 274
 - description 71
 - device drivers 29
 - operating systems, compatibility 4, 273
 - preinstalled 143
 - shared 71
 - switched 71
 - troubleshooting 256
- non-disk-array model
 - hard disk drive SCSI IDs 160
- non-hot-swap drives
 - installing 164

- non-hot-swap drives (*continued*)
 - setting jumpers 164
- nonremovable media 157, 158
- nonvolatile random-access memory (NVRAM)
 - resetting 299
 - Setup program 41
 - System Configuration Utility program 45
- notices
 - battery xii
 - definitions xv
 - Federal Communications Commission
 - See the User's Reference*
 - laser compliance statement x
 - product 303
 - safety information ix, 75
 - trademarks 303, 304
- number lock 281

O

- occasional problems 248
- office space, arranging 23
- on/off button 7
- online help 42, 269
- online information services 270
- operating systems
 - See also the User's Reference*
 - compatibility 4, 273
 - configuring the Ethernet adapter for 69
 - considerations 34
 - controlling access to 55
 - LAN Server 32
 - OS/2 installation 31
 - SMP-capable 1
 - updates 276
 - Windows NT Server 3.51 34

- optional power supply 3
- options
 - See also the User's Reference*
 - Command Line 223
 - device records 281
 - Diagnostic Diskette 220
 - diskettes 218
 - EISA, configuring 59
 - external, connecting 207, 210
 - failing 250
 - installation preparation 78
 - installation problems 250
 - installing 38, 73
 - internal
 - adapter 143
 - drives 156
 - memory-module kits 113
 - video memory 131
 - ISA, configuring 59
 - locations 281, 283, 286
 - SCSISelect Utility program 64
 - setting configuration values 40, 41, 45
 - test 229
- order of
 - installing memory-module kits 113
 - removing memory-module kits 126
- ordering
 - CDs 31
 - diskettes 31
 - publications xvi, 277
 - replacement batteries 138
 - replacement keys 279
 - SCSI cable 208
 - support line services 275
- OS/2
 - See also operating systems*
 - LAN Server, installing 32

- output ports 10
- overload protection 3
- overview
 - adapter installation
 - considerations 145
 - configuration 40
 - diagnostic tools 214
 - electrical safety 75
 - handling static-sensitive devices 77
 - installing
 - external options 207
 - internal drives 156, 158
 - microprocessors 86
 - preparing to install options 78
 - security features 200
 - ServerGuide 28
 - software considerations 35
 - system components 1

P

- padlock loops 3, 12, 13
- panel, information 3, 9
- parallel port
 - location 10
 - problems 250
- parameters
 - default, configuration 281
 - jumper settings 289
- parity
 - SIMMs 114
- part numbers
 - keys 279
 - publications xvi
 - serial 279
- passwords
 - See also the User's Reference*
 - administrative 52, 54, 200
 - clearing 301

- passwords (*continued*)
 - default setting 282
 - forgotten password 54, 55, 301
 - general information 52
 - purpose 200
 - setting 54, 55
 - user 55, 200
- PC Server Enterprise Storage Expansion Enclosure 207
- PC support services, fee 273
- PCI (peripheral component interconnect) architecture
 - See also the User's Reference*
 - adapters
 - configuration 58
 - expansion slot numbers 146
 - installation 146, 149
 - locations 145
 - removal 151, 154
 - advantages 1
- Pentium Pro microprocessor 1, 86
 - See also the User's Reference*
- peripheral configuration group 281
- phone numbers
 - See telephone numbers*
- planning workspace 23
- pointing device
 - See mouse*
- ports, input/output
 - See also connectors*
 - 9-pin serial 3
 - keyboard 10
 - monitor 10
 - mouse 10
 - parallel 10
 - See also parallel port*
 - SCSI 207
 - serial 10
 - See also serial port*
- POST
 - See power-on self-test (POST)*
- power
 - connectors 11
 - current-good light 13
 - enable switch 7
 - failure light 12
 - good light 12, 13
 - on and off button 7
 - supplies 12
 - surge protection 3
- power cords
 - See also the User's Reference*
 - lengths 25
 - location 25
- power fail indicator 8
- power supply
 - 420 watt, optional 3
 - 420 watt, standard 3
 - 434 watt 3
 - auxiliary 3
 - reading status LEDs 259
 - shut down 259
 - status 258
 - surge protection 3
 - voltage-switch feature 3
 - with low voltage 259
- power-enable switch 7
- power-failure light 9
- power-on
 - hot-swap drives 156
 - light 8, 9, 19
 - Power On indicator 8, 19
 - Power On/Off button 8, 18, 19
 - Reset button 8
- power-on password
 - See user password*
- power-on self-test (POST) 3
 - See also the User's Reference*
 - beep codes 216

- power-on self-test (POST) *(continued)*
 - definition 215
 - during configuration 55, 58
 - during setup 19
 - message table 217, 232
 - overview 215
 - upgradable 3
- preface xiii
- preinstallation
 - SCSI-2 Fast/Wide PCI controller 145
 - steps 163
 - video controller 144
- preinstalled devices 14, 92, 156
- preparing
 - internal drives for installation 164
 - to install options
 - external options 207, 210
 - tasks required 78
 - tools and supplies 74
 - to remove internal drives 189, 190
- printer
 - port 10
 - problems 251
 - SCSI 159
- problems, solving
 - Ethernet adapter 254
 - fan 248
 - getting assistance and service 4, 269
 - insufficient memory to run
 - diagnostics 223
 - intermittent 248
 - keyboard 248, 249
 - memory problem 249
 - monitor 247
 - network adapter 149, 256, 257
 - occasional 248
 - problems, solving *(continued)*
 - only the cursor appears 247
 - option 250
 - parallel port 250
 - printer 251
 - screen jitter 247
 - serial port 251
 - software 252
 - SVGA 247
 - processor
 - See microprocessor
 - processor boards
 - connectors, illustration 86, 103
 - installing 97, 108
 - removing 89
 - PRODIGY 270
 - product
 - advantages 1, 156
 - See also the *User's Reference*
 - compatibility 273
 - external options 286, 287
 - identification numbers 279
 - internal options 286
 - name 279
 - notices 303
 - See also the *User's Reference*
 - warranty information
 - See the *User's Reference*
 - programs
 - advanced diagnostic 66
 - low-level format 66
 - navigation 221
 - test 216
 - protecting
 - data 54, 55
 - hard disk boot sector 55
 - the server 17
 - publications
 - ordering xvi, 277
 - part numbers xvi

Q

QAPLus/PRO test programs 216

R

RAID (redundant array of independent disks)
 See also your RAID adapter documentation
 adapter 3, 143
 device drivers 29
 reconfiguring your disk array 191
RAM (random-access memory)
 See the *User's Reference*
read-only memory (ROM)
 See ROM (read-only memory)
real-time clock
 installing 140
 removing 139
 replacing 137
 resetting 299
rear view 10
reconfiguring your disk array 191
recording settings 43, 51
records, device 280
reducing glare 24
related publications xvi
removable media
 installing 165, 181
 removing 181
 types 159
removing
 adapters 151
 board-support panel 90, 105, 117
 filler panel 166
 hard disk drives 181, 189, 190
 internal drives
 general information 180
 removing (upper-left front) 181

removing (*continued*)

 memory boards 118, 125
 memory-module kits 124
 power supply 197
 processor boards 89
 real-time clock 139
 server cables 75, 80
 side covers 81
 top cover 83
 wrong disk drive, consequences of 189
repairs, getting assistance and service 4
replacement batteries, ordering 138
replacing
 a battery 137
 keys 279
 real-time clock 137
requirements for terminating SCSI devices 162, 163
restoring
 default settings 43
ROM (read-only memory)
 See also the *User's Reference*
 description 3
run automatic configuration
 Plug and Play devices 144

S

safety
 battery handling xii, 137
 electrical ix, 75
 general information 17
 handling static-sensitive devices 77
 laser compliance statement x
saving
 Setup configuration settings 44
 System Configuration Utility program configuration settings 50

- scanners, SCSI 159
- screen filter 24
- screen, blank 247
- SCSI (small computer system interface)
 - See also the User's Reference*
 - adapter
 - location 145
 - cable requirements 159, 208
 - connector
 - location 10
 - rules for using 207
 - description 159
 - devices 14, 159
 - devices supported 208
 - Disk Utilities 65
 - drives
 - description 15
 - external 208
 - location 14
 - termination 163
 - failing 250
 - identifiers (IDs)
 - assignments 209
 - backplanes 164
 - description 160
 - device records 286
 - for CD-ROM drive 164
 - for devices 160
 - for hot-swap hard disk drives 164
 - purpose 162
 - low-level disk format 66
 - maximum SCSI cable lengths 208
 - messages 243
 - narrow devices
 - See 8-bit devices*
 - port 10
 - problems 243
- SCSI (small computer system interface) (*continued*)
 - purpose 159
 - SCSI IDs 65, 162
 - termination requirements 163
 - viewing 65
- SCSISelect Utility program
 - See also the SCSI Software User's Guide*
 - Configure/View Host Adapter Settings 65
 - low-level disk format 66
 - menu description 65
 - SCSI Disk Utilities 65
 - starting 64
 - using 64
- security procedures
 - See also password*
 - See also the User's Reference*
 - backing up configuration information 46
 - bolt-down capability 3
 - controlling diskette drive access 44
 - door lock 3, 7
 - drive-startup sequence 56
 - general information 200
 - keyboard lock 3
 - online menu 42
 - padlock loops 3, 12, 13
 - setting passwords
 - administrative password 54
 - general information 52
 - user password 55
- selectable boot
 - See startup sequence*
- self-tests, internal 215
- serial numbers
 - keys 279
 - server 279

- serial port
 - integrated function 3
 - location 10
 - problems 251
- server
 - See also the User's Reference*
 - adding board-support
 - panel 100, 111, 121
 - adding drives 156
 - adding memory 113
 - adding processor boards 97, 108
 - adding video memory 131
 - advantages 1, 156
 - compatibility with
 - applications 1
 - consequences of removing wrong
 - disk drive 189
 - controls 6
 - cover
 - installing 201, 203
 - removing 81, 83
 - description 1
 - disk arrays 177
 - door
 - unlocking 78
 - external options 207
 - features 1, 3
 - identification numbers 279
 - illustrated views
 - front 14
 - rear 10
 - information 9
 - installing drives 156, 165, 173
 - installing memory boards 121, 128
 - installing processor boards 99, 110
 - internal options 113, 131, 143
 - jumper settings 289
 - PCI adapter expansion slot
 - numbers 146
- server (*continued*)
 - preparing, for installation of
 - options 78
 - problems 219
 - records 281, 283, 286
 - removing board-support
 - panel 90, 105, 117
 - removing drives 180, 181, 188
 - removing memory boards 118, 125
 - removing processor boards 89
 - security features
 - general information 200
 - passwords 52, 54, 55
 - summary 3
 - software 38
 - starting 18
 - startup support 4, 272
 - support 272
 - using ServerGuide 5, 28
- ServerGuide
 - general information 5
 - using 28
- service, how to get 4, 36
- service, warranty
 - See telephone numbers*
- ServicePak 276
- services, fee 273
- setting
 - date 42
 - drive-startup sequence 56
 - duplex mode 70
 - jumpers
 - instructions 290
 - to resolve configuration
 - conflicts 61
 - NVRAM and RTC (switch S6A1-1) 299
 - passwords 52, 54, 55
 - SCSI IDs 209

- setting (*continued*)
 - switches and jumpers 164
 - time 42
- Setup program
 - controlling access to 52
 - disabling diskette drives 44
 - menu description 41
 - recording and restoring default values 43
 - starting 42
 - using 41
- shared hubs 71
- side cover
 - installing 203
 - removing 81
- single-inline memory module (SIMM) 113, 114
 - See also* memory-module kits
- sizes
 - internal drives 158
 - memory 113
 - video memory 131
- slots, expansion 3, 11
 - See also* expansion slots
- small computer system interface (SCSI)
 - See* SCSI (small computer system interface)
- SMP
 - See* symmetric multiprocessing (SMP)
- software
 - considerations 35
 - error 219, 252
 - installing 38
 - updates 276
- solving problems
 - getting assistance and service 4, 269
 - insufficient memory to run diagnostics 223
 - solving problems (*continued*)
 - network adapter 149, 256
 - POST 232
 - test 216
 - speed
 - keyboard 281
 - memory 113, 131
 - power-on 281
 - spilled liquid on system 262
 - starting
 - SCSISelect Utility program 64
 - server 18
 - Setup program 42
 - System Configuration Utility program 47
 - test programs 225
 - without operating system 20
 - startup
 - See also* the *User's Reference*
 - default 282
 - sequence 56
 - support 4
 - static-sensitive devices, handling 77
 - status
 - hot-swap drive 259
 - indicators
 - hard disk drive 8
 - on front panel 8
 - power supply 12
 - power supply 259
 - storage devices 156
 - See also* the *User's Reference*
 - storage expansion enclosure 207
 - summary of features 3
 - super video graphics array (SVGA)
 - integrated controller 3, 144
 - supplies, power 12, 13
 - support diskettes, installing 38

- support line services, ordering 275
 - surge protection 3
 - surge protectors 25
 - SVGA video controller 3
 - swap diskettes 56
 - switched hubs 71
 - switches
 - See also* jumpers
 - changing 62
 - configuration
 - See* system board,
 - configuration switches
 - Power On/Off 8
 - power-enable 7
 - Reset 8
 - symmetric multiprocessing (SMP)
 - operating-system support 1, 35
 - system board
 - adapters 145
 - configuration jumpers
 - BIOS boot block (J6A1) 295
 - BIOS recovery (J6A1) 293
 - BIOS write (J6A4) 298
 - video-sleep-register address (J6A2) 296
 - configuration switches
 - clearing all passwords (S6A1-2) 301
 - resetting NVRAM and RTC (S6A1-1) 299
 - settings 299
 - layout 288
 - memory connectors 116
 - settings 289
 - video-memory connector 133
 - System Configuration Utility (SCU)
 - controlling access to 52
 - defining secure mode 57
 - menu description 46
 - setting passwords 52, 54, 55
 - System Configuration Utility (SCU)
 - (continued)*
 - setting the drive-startup sequence 56
 - starting 47
 - using 46
 - system damage 261
 - System Diskettes
 - See* the *User's Reference*
 - system utility programs 37
- T**
- tape drives
 - See also* the *User's Reference*
 - sizes 158
 - technical directory, publications
 - See* telephone numbers
 - technical support
 - fee 273
 - warranty 271
 - telephone assistance 271
 - telephone line requirements for the United Kingdom ix, 75, 205
 - telephone numbers
 - See also* the *User's Reference*
 - IBM service center 4, 36
 - ordering publications xvi, 277
 - termination 162
 - See also* the *User's Reference*
 - terminators
 - See* the *User's Reference*
 - test
 - compatibility 273
 - group specifications 226
 - group window 226
 - groups, valid, list of 223
 - module 227, 228
 - monitor 246
 - options 229

- test (*continued*)
 - programs
 - description 216
 - installing 263
 - starting 225
 - scripts 228
 - system 219
- text editor 265, 267
- time, setting 42
- toll-free numbers 4, 36
- tools 17, 74
- top cover
 - installing 201
 - removing 83
- trademarks 303, 304
- troubleshooting
 - diskette drive problems 246
 - Ethernet adapter 253, 254
 - general problems 248
 - how to use 245
 - keyboard problems 248, 249
 - monitor problems 247
 - monitor self-tests 246
 - mouse problems 248, 249
 - network adapter 256, 257
 - option problems 250
 - overview 218
 - parallel port problems 250
 - pointing-device problems 248, 249
 - printer problems 251
 - serial port problems 251
 - software problems 252
- types of media 158

U

- United Kingdom's telephone line requirements ix, 75, 205

- unlocking the server door 78
- updates, operating system 276
- updating
 - configuration information 49
 - RAID configuration 211
 - system configuration
 - information (.CMS) files 45
 - installing adapters 58
- upgradable POST and BIOS 3
- upgrading the microprocessor 86
- user password
 - forgotten 55, 301
 - purpose 55, 200
 - setting 55
- using
 - electronic support services 270
 - HelpWare support family 269
 - ServerGuide 5, 28
 - World Wide Web 273
- utility programs
 - diagnostic 220, 265
 - SCSISelect 64

V

- valid test groups, list of 223
- venting of hot air 24
- video
 - See also the User's Reference*
 - adapter location 143, 145
 - adapter requirements 144
 - compatibility 3
 - connector 3, 10, 11
 - connector location 289
 - default settings 283
 - default values 282
 - memory, installing 131
 - SVGA 3, 144
- Video Sleep Register
 - settings 296

- view
 - configuration 42
 - front 14
 - rear 10
 - resources 47, 49
 - switch and jumper settings 46, 50
- virus checking 225

W

- warranty information
 - See also the User's Reference*
 - extensions and upgrades 275
 - service 271
- welcome letter xvii
- Windows
 - NT Server 3.51, configuring the Ethernet adapter for 68
 - NT Server 3.51, installation 34
- work area, arranging 23
- World Wide Web
 - corrective service diskettes 276
 - IBM Personal Computer home page 271
 - PC Server information 4, 273



Part Number: 84H4262

Printed in U.S.A.

September 1996

84H4262

