



**Note**

Before using this information and the product it supports, be sure to read the general information under "Notices" on page 291.

**First Edition (September 1995)**

**The following paragraph does not apply to the United Kingdom or any country where such provisions are inconsistent with local law:**

INTERNATIONAL BUSINESS MACHINES CORPORATION PROVIDES THIS PUBLICATION "AS IS" WITHOUT ANY WARRANTY OF ANY KIND, EITHER EXPRESS OR IMPLIED, INCLUDING, BUT NOT LIMITED TO, THE LIMITED WARRANTIES OF MERCHANTABILITY OR FITNESS FOR A PARTICULAR PURPOSE. Some states do not allow disclaimer or express or implied warranties in certain transactions, therefore, this statement may not apply to you.

This publication could include technical inaccuracies or typographical errors. Changes are periodically made to the information herein; these changes will be incorporated in new editions of the publication. IBM may make improvements and/or changes in the product(s) and/or the program(s) described in this publication at any time.

It is possible that this publication may contain reference to, or information about, IBM products (machines and programs), programming, or services that are not announced in your country. Such references or information must not be construed to mean that IBM intends to announce such IBM products, programming, or services in your country.

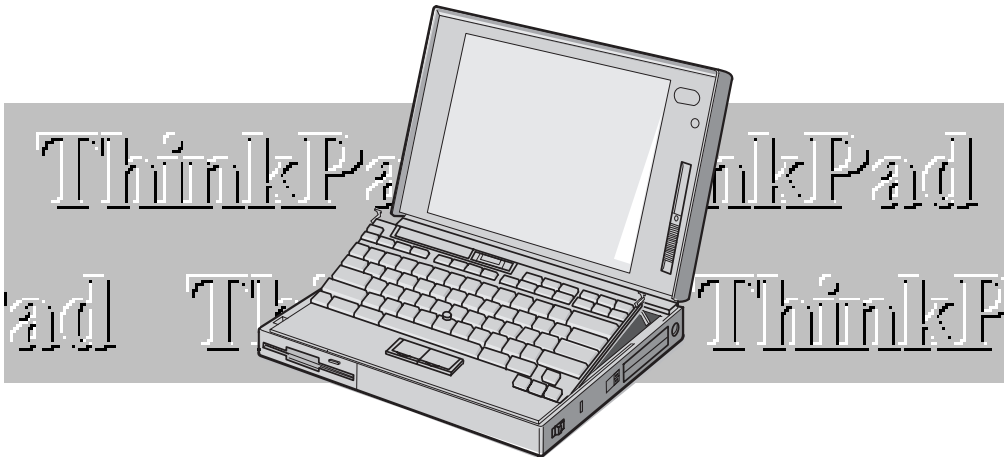
Requests for technical information about IBM products should be made to your IBM Authorized Dealer or your IBM Marketing Representative.

IBM may have patents or pending patent applications covering subject matter in this document. The furnishing of this document does not give you any license to these patents. You can send license inquiries, in writing, to the IBM Director of Licensing, IBM Corporation, 500 Columbus Avenue, Thornwood, NY 10594, U.S.A.

**Copyright International Business Machines Corporation 1995. All rights reserved.** Note to US Government Users – Documentation related to restricted rights – Use, duplication or disclosure is subject to restrictions set forth in GSA ADP Schedule Contract with IBM Corp.

## ***Thank You for Selecting an IBM ThinkPad 760C Computer***

The IBM ThinkPad 760C  
is one of the leading notebook-size computers available today.  
With its fast response, long battery hours,  
brilliant display, and  
high-technology features, we guarantee that it will  
serve your  
mobile computing needs.



The following are the distinctive system features of the IBM ThinkPad 760C computer.



**1 Mwave DSP Audio, Telephony, and Data/Fax Modem Features:  Page 71.**

16-bit high-quality audio, telephone, and fax machine functions are provided with a built-in speaker and microphone to complete the multimedia computing solution.

**2 Infrared Communication:  Page 68.**

Two infrared ports for wireless serial communication are supplied with your computer.

**3 ThinkPad Features Program:  Page 38.**

The ThinkPad Features program allows you to set various parameters by using a graphical user interface or commands.

**4 Power Management:  Page 99.**

Power Management sets the computer to different modes to save battery power when you are not using the computer. It also provides a resume function, which quickly returns you to where you left off.

**5 Security Features:  Page 109.**

The computer provides security passwords for the computer and hard disk drive. Lock security also is provided for internal devices. The Personalization Utilities can help identify your computer.

**6 Fn Key Function:  Page 51.**

The combination of this Fn key with a function key is used to control display modes, speaker volume, or battery power-saving modes.

**7 TFT Color LCD:  Page 170.**

A large and brilliant thin-film transistor (TFT) color LCD supports various colors in many resolutions.

**8 Easy-Setup:  Page 44.**

The built-in system programs in Easy-Setup allow the basic setup of your computer.

**9 TrackPoint III:  Page 26.**

Pointing, selecting, and dragging all become part of a single process without lifting your hands from the TrackPoint III keyboard.

**1 PCMCIA Support:  Page 53.**

The computer provides two Personal Computer Memory Card International Association (PCMCIA) slots. PCMCIA software is also provided so that you can use PC Cards more easily and conveniently.

**11 Long-Life Battery Pack:  Page 83.**

The operating time of the computer is extended with the long-life battery pack.

## About This Book

This *User's Guide* contains information that will help you operate the IBM ThinkPad 760C computer (hereafter called *760C* or *computer*).

**Chapter 1, “Getting Started”** provides information about the *Product Map* and the procedure to set up your computer.

**Chapter 2, “Getting Familiar with Your Computer”** acquaints you with the features of your computer.

**Chapter 3, “Operating Your Computer”** provides information on using your computer with its different features.

**Chapter 4, “Using Battery Power”** provides battery information and describes how to operate your computer with the battery pack.

**Chapter 5, “Protecting Your Computer”** provides information for protecting your computer and internal devices against unauthorized use.

**Chapter 6, “Installing and Removing Options”** describes how to install or remove IBM options.

**Chapter 7, “Installing Software”** provides procedures for installing operating systems and device drivers in your computer.

**Chapter 8, “Solving Computer Problems”** describes what to do when you have a computer problem.

**Appendix A, “Avoiding Hardware Conflicts”** lists some steps you can take to avoid problems when you add or remove options.

**Appendix B, “Advanced Information for PC Cards”** provides additional information when using PC Cards.

**Appendix C, “Additional Information for Mwave DSP Features”** provides additional information when using the Mwave functions.

**Appendix D, “Using PS2 Commands”** provides the PS2 commands for the ThinkPad Features program.

**Appendix E, “Features and Specifications”** describes the features and specifications associated with your computer.

**Appendix F, “Product Warranties and Notices”** contains the warranty statements of your computer and notices for this book.

## Information Notices

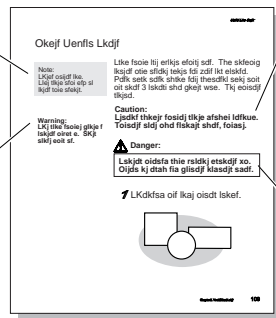
This *User's Guide* contains notices that relate to specific information or text.

### Note

Provides important hints, tips, guidance, or advice.

### Warning

Indicates possible damage to programs, devices, system, or data. It appears next to the related instruction or situation in which possible damage could occur.




### Caution

Indicates situations that are potentially hazardous to you. It appears in text before the instruction or situation that could be hazardous.

### Danger

Indicates situations that are potentially lethal or extremely hazardous to you. It is indicated

by the symbol  and appears in text before the instruction or situation that could be dangerous.

## Treatment of Icons

This *User's Guide* contains the following icons (symbols) representing procedures or information unique to the operating system installed in your computer, and to referenced information.



Information for IBM Operating System/2 (OS/2) users.



Information for IBM DOS users.



Information for Microsoft\*\* Windows\*\* users.



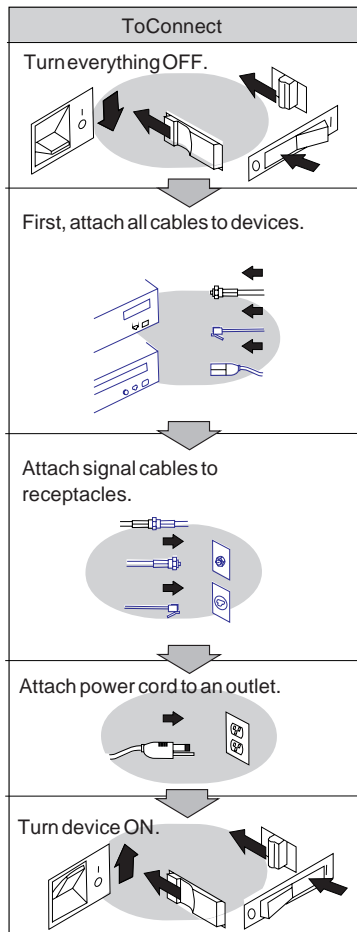
Where to go for referenced information.

# Electrical Safety Notice

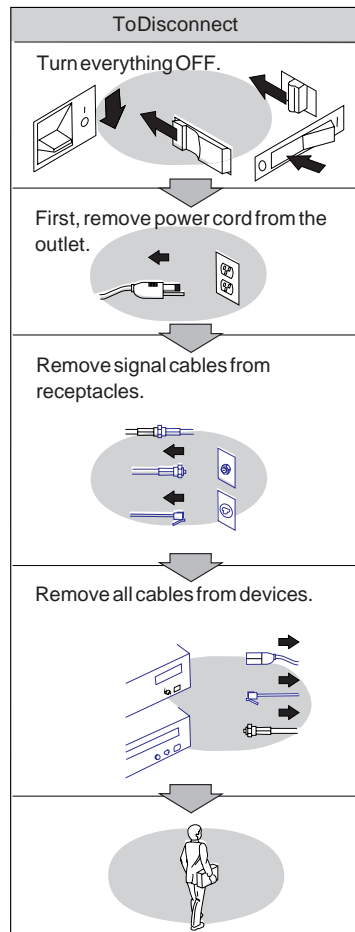


## DANGER:

Electrical current from power, telephone, and communication cables is hazardous. To avoid shock hazard, connect and disconnect cables as shown below when installing, moving or opening the covers of this product or attached devices. The power cord must be used with a properly grounded outlet.



Note: In the U.K., by law, the telephone line cable must be connected after the power cord.



Note: In the U.K., by law, the power cord must be disconnected after the telephone line cable.





**Do not disassemble, incinerate, or short-circuit the rechargeable battery pack. Do not put it in trash that is disposed of in landfills. Dispose of it as required by local ordinances or regulations.**

**CAUTION:**

The lithium battery (IBM P/N 29H8924, UL-recognized component—File No. MH12210), can only be replaced by your dealer or an IBM service representative. It contains lithium and can explode if not properly used, handled, or disposed of. Do not: (1) throw or immerse into water, (2) heat to more than 100°C (212°F), or (3) repair, or disassemble. Dispose of it as required by local ordinances or regulations.

**CAUTION:**

The nickel metal hydride rechargeable battery can only be replaced by your dealer or an IBM service representative. Do not disassemble, incinerate, or short-circuit it. The battery can cause burns or release toxic chemicals. Do not put it in trash that is disposed of in landfills. Dispose of it as required by local ordinances and regulations.

**CAUTION:**

The fluorescent lamp in the liquid crystal display (LCD) contains mercury. Do not put it in trash that is disposed of in landfills. Dispose of it as required by local ordinances or regulations.

The LCD is made of glass, and rough handling or dropping the computer can cause the LCD to break. If the LCD breaks and the internal fluid gets into your eyes or on your hands, immediately wash the affected areas with water for at least 15 minutes; then get medical care if any symptoms are present after washing.



# Contents

---

About This Book . . . . .	vi
Information Notices . . . . .	vii
Treatment of Icons . . . . .	vii
Electrical Safety Notice . . . . .	viii
<b>Chapter 1. Getting Started . . . . .</b>	<b>1</b>
Overall Setup Procedures . . . . .	2
About the Product Map . . . . .	4
Checking Your Items . . . . .	4
Other Symbols on the Product Map . . . . .	6
Setting Up Your Computer . . . . .	7
<b>Chapter 2. Getting Familiar with Your Computer . . . . .</b>	<b>15</b>
Identifying the Hardware Features . . . . .	16
System-Status Indicators . . . . .	20
Indicator Lamps . . . . .	20
LCD Indicator . . . . .	21
Providing Power . . . . .	23
AC Adapter . . . . .	23
Battery Pack . . . . .	24
Car Battery Adapter . . . . .	25
Operating with the TrackPoint III . . . . .	26
Changing the Cap . . . . .	28
Operating the Numeric Keypad . . . . .	29
Using the Display . . . . .	30
Using a DOS Application with Your Computer . . . . .	31
Viewing the Online Book . . . . .	32
Starting in OS/2 or Windows . . . . .	32
Starting in DOS . . . . .	32
Keeping the Computer from Being Damaged . . . . .	33
Carrying the Computer . . . . .	34
<b>Chapter 3. Operating Your Computer . . . . .</b>	<b>35</b>
What Happens When Power Is Turned On? . . . . .	37
Using the ThinkPad Features Program . . . . .	38
Starting the ThinkPad Features Program . . . . .	39
Using Easy-Setup . . . . .	44
Starting Easy-Setup . . . . .	44
Using the Selectable Drive-Startup Sequence . . . . .	49
Using the Fn Key . . . . .	51

Using PC Cards . . . . .	53
PC Card Limitations under Suspend Mode . . . . .	53
Using the PC Card Director Program . . . . .	54
Starting PC Card Director for OS/2 or Windows . . . . .	55
Starting PC Card Director for DOS . . . . .	67
Using the Infrared Communication Feature . . . . .	68
Considerations for Communication . . . . .	70
Using the Mwave DSP Features . . . . .	71
Using the Audio Function . . . . .	74
Using the Telephony Function . . . . .	78
<b>Chapter 4. Using Battery Power . . . . .</b>	<b>83</b>
Charging the Battery Pack . . . . .	84
Charging with the AC Adapter . . . . .	84
Charging with the Quick Charger . . . . .	85
Replacing the Battery Pack . . . . .	86
Monitoring the Battery Status . . . . .	88
Using the Battery Status Indicator . . . . .	88
Using the Fuel-Gauge Program . . . . .	92
Preserving Battery-Pack Life . . . . .	96
Maximizing Battery-Powered Operation . . . . .	96
Using Advanced Power Management . . . . .	97
Decreasing LCD Brightness . . . . .	99
Using the Battery Power-Management Function . . . . .	99
<b>Chapter 5. Protecting Your Computer . . . . .</b>	<b>109</b>
Using Passwords . . . . .	110
Power-On Password . . . . .	110
Hard Disk Password . . . . .	115
Supervisor Password . . . . .	120
Using the Personalization Feature . . . . .	127
Entering the Personal Information . . . . .	128
Deleting a Personalized Screen . . . . .	130
Using Locks . . . . .	131
Using the Security Lock . . . . .	131
Using the PC Card Lock . . . . .	133
<b>Chapter 6. Installing and Removing Options . . . . .</b>	<b>137</b>
Installing and Removing PC Cards . . . . .	138
Inserting the PC Card . . . . .	139

Removing the PC Card . . . . .	141
Increasing Memory Capacity . . . . .	142
Installing and Removing the DIMM . . . . .	142
Replacing the Hard Disk Drive . . . . .	149
Installing a Secondary Battery Pack in the UltraBay . . . . .	152
Installing a Secondary Hard Disk Drive in the UltraBay . . . . .	156
Installing an Option in the UltraBay . . . . .	159
Installing the DAA/Telephony Kit . . . . .	163
Attaching an External Numeric Keypad or a Mouse . . . . .	167
Using the Mouse and Other Pointing Devices . . . . .	168
Attaching an External Keyboard . . . . .	169
Attaching an External Display . . . . .	170
Changing the Display Mode . . . . .	171
Setting the Monitor Type and the Display Driver . . . . .	172
Connecting an External Display to the Computer . . . . .	173
Changing the Screen Resolution or Color Depth . . . . .	173
Attaching an IBM Dock I or Dock II Expansion Unit . . . . .	175
<b>Chapter 7. Installing Software . . . . .</b>	<b>177</b>
What You Need for Your Computer . . . . .	178
Installing the Operating System . . . . .	180
Installing Software for OS/2 . . . . .	181
Installing IBM OS/2 Warp Version 3 or Later . . . . .	181
Installing the ThinkPad Features Program for OS/2 . . . . .	184
Installing the PCMCIA Device Driver for OS/2 . . . . .	185
Installing the Mwave DSP Support Software for OS/2 . . . . .	186
Installing the Infrared Device Driver for OS/2 . . . . .	188
Installing the ThinkPad Display Device Driver for OS/2 . . . . .	190
Installing Software for DOS . . . . .	191
Installing IBM PC DOS Version 7.0 or Later . . . . .	191
Installing the ThinkPad Features Program for DOS . . . . .	192
Installing the PCMCIA Device Driver for DOS . . . . .	193
Installing the Mwave DSP Support Software for DOS . . . . .	195
Installing Software for Windows . . . . .	197
Installing Microsoft Windows Version 3.11 or Later . . . . .	198
Installing the ThinkPad Features Program for Windows . . . . .	202
Installing the PCMCIA Features for Windows . . . . .	203
Installing the Mwave DSP Support Software for Windows . . . . .	205
Installing the Infrared Device Driver for Windows . . . . .	207
Installing the ThinkPad Display Driver for Windows . . . . .	208

<b>Chapter 8. Solving Computer Problems</b> . . . . .	209
Commonly Asked Questions and Problems . . . . .	211
Common Problems and Actions . . . . .	211
Frequently Asked Questions and Answers . . . . .	214
Testing the Computer . . . . .	215
Troubleshooting Charts . . . . .	217
Error Codes . . . . .	217
LCD Problems . . . . .	219
Screen Messages . . . . .	221
Other General Problems . . . . .	222
What If Testing Cannot Find the Problem? . . . . .	224
Battery Power Problems . . . . .	224
Diskette Drive Problems . . . . .	225
External Display Problems . . . . .	226
Hibernation Problems . . . . .	227
Infrared Communication Problems . . . . .	227
Keyboard, External Numeric Keypad, and Pointing Device Problems . . . . .	229
Mwave DSP Feature Problems . . . . .	230
Option Problems . . . . .	232
PC Card Problems . . . . .	233
Printer Problems . . . . .	234
Software Problems . . . . .	235
Getting Service . . . . .	236
Listing Installed Options . . . . .	237
Recording Identification Numbers . . . . .	237
The IBM HelpClub: Another Great Choice (in the U.S.A.) . . . . .	238
The IBM HelpClub: Another Great Choice (for European Countries) . . . . .	240
<b>Appendix A. Avoiding Hardware Conflicts</b> . . . . .	243
List of System Resources . . . . .	243
Avoiding System Resource Conflicts When Using PC Cards . . . . .	246
Doing a Network Remote Program Load . . . . .	246
Starting the Computer from an ATA PC Card . . . . .	247
<b>Appendix B. Advanced Information for PC Cards</b> . . . . .	249
Auto Configurator for PC Card Director . . . . .	249
Starting the Auto Configurator Utility for OS/2 or Windows . . . . .	249
Starting the Auto Configurator Utility for DOS . . . . .	253

Adding to the CONFIG.SYS File . . . . .	253
Registered Drivers and Standard Rules for OS/2 . . . . .	254
Registered Drivers and Standard Rules for DOS and Windows . . . . .	256
Storage Card Device Driver . . . . .	258
PCMCIA Storage Card Device Driver for OS/2 . . . . .	258
PCMCIA Storage Card Device Driver for DOS and Windows . . . . .	258
Before Using PCMCIA Storage Cards . . . . .	258
Using PCMCIA ATA Cards with Multiple Partitions . . . . .	259
Parameters for the OS/2 PCMCIA ATA Card Device Driver . . . . .	259
Parameters for DOS PCMCIA Storage Card Device Drivers . . . . .	260
PCMCIA Storage Card Device Manager for OS/2 . . . . .	262
OS/2 PCMCIA Storage API Device Driver . . . . .	262
Flash Card Memory Technology Driver . . . . .	262
Checking the Allocated Resources for the PC Card . . . . .	263
Avoiding PC Card Resource Conflicts . . . . .	265
<b>Appendix C. Additional Information for Mwave DSP</b>	
<b>Features</b> . . . . .	267
Audio Information . . . . .	267
Sound . . . . .	267
Mwave MIDI Overview . . . . .	268
Telephony Information . . . . .	271
<b>Appendix D. Using PS2 Commands</b> . . . . .	273
<b>Appendix E. Features and Specifications</b> . . . . .	281
Features . . . . .	281
Specifications . . . . .	283
IBM Power Cords . . . . .	284
Diskette Standards . . . . .	286
<b>Appendix F. Product Warranties and Notices</b> . . . . .	287
Notices . . . . .	291
Trademarks . . . . .	291
Electronic Emission Notice . . . . .	293
Telecommunication Notice . . . . .	295
<b>Glossary</b> . . . . .	297

**Index** ..... 301



# Chapter 1. Getting Started

---

## ***Welcome to the world of ThinkPad computers!***

The ThinkPad 760C computer is designed to meet your mobile computing needs. It provides you with various features, unique to IBM products, which help your everyday work go easy and smoothly. You can use your ThinkPad 760C computer in the office or at home as a desktop computer by attaching an external keyboard, display, or other external devices. And, of course, your computer can be easily carried wherever you need a computer “on the go.”

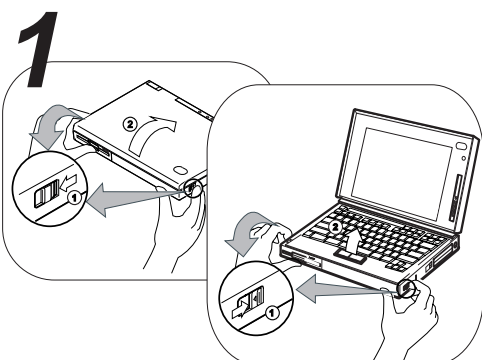
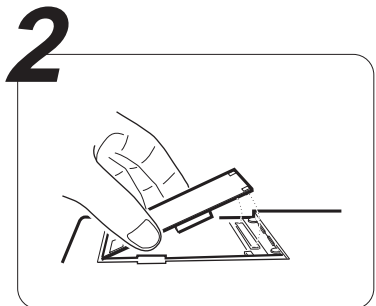
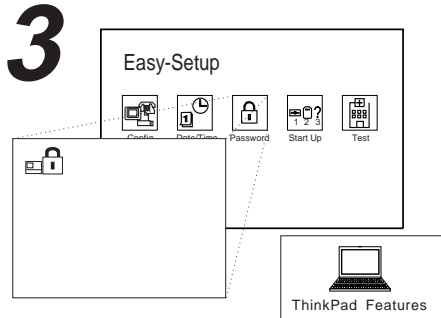
This chapter describes the *Product Map* and gives step-by-step instructions to help you set up your new computer.

Overall Setup Procedures . . . . .	2
About the Product Map . . . . .	4
Checking Your Items . . . . .	4
Other Symbols on the Product Map . . . . .	6
Setting Up Your Computer . . . . .	7

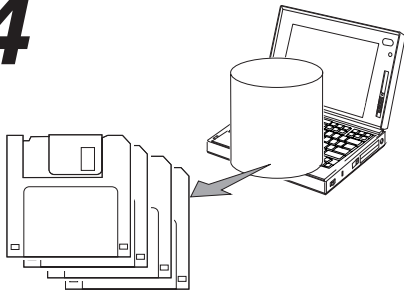
## Getting Started

# Overall Setup Procedures

When using the computer for the first time:

	<p><b>Set Up the Computer</b></p> <p>First, open the Product Map and check whether you have all the necessary items with your computer.</p> <p>See page 4.</p> <p>Then, install the battery pack in the computer. Now you are ready to turn on the computer.</p> <p>See page 7.</p>
	<p><b>Install Options</b></p> <p>If you have any options, such as memory cards, install the options.</p> <p>See page 137.</p>
	<p><b>Customize Your Computer</b></p> <p>You can use <i>Easy-Setup</i>, a built-in system function, to set passwords to prevent your computer from unauthorized use, or use the <i>ThinkPad Features</i> program to customize the performance of your computer.</p> <p>For <i>Easy-Setup</i>, see page 44.</p> <p>For the <i>ThinkPad Features</i> program, see page 38.</p>

4



#### Make a Backup of Your System

Your computer comes with the necessary software already installed for you to use the computer right out of the box. However, on some computers, the *Diskette Factory* program is installed so you can create backup diskettes. On other computers, you will find utility and device driver diskettes packed in the box with the computer.

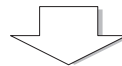
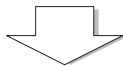
If your computer did not come with the utility and device driver diskettes, make a backup copy of all necessary files using the *Diskette Factory*. This way, if you ever need to reinstall the operating system, you will have all the necessary software you need to restore your computer to the way it was at the time of purchase.

#### Do you need more hard disk space?

If your computer did not come with the utility and device driver diskettes, and *you have already made a backup copy of all necessary software using the Diskette Factory*, you can delete any preinstalled software you do not want to use to have more free hard disk space.

Click on the **Diskette Factory** icon; then follow the instructions on the screen.

You can also delete the demonstration program.




#### You are ready to use your computer.

If you have any application programs to install, follow the instructions in the documentation that came with those programs.

#### If you are reinstalling the operating system...

If you are reinstalling the operating system to customize your computer, follow the instructions on page 177.

 If you have any problems after you have customized your computer, refer to “Commonly Asked Questions and Problems” on page 211 to solve your problem.

## About the Product Map

The Product Map is the fold-out diagram that you first see when you unpack the computer. When you physically place the computer on the Map, you will see an overview of the computer system.



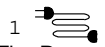
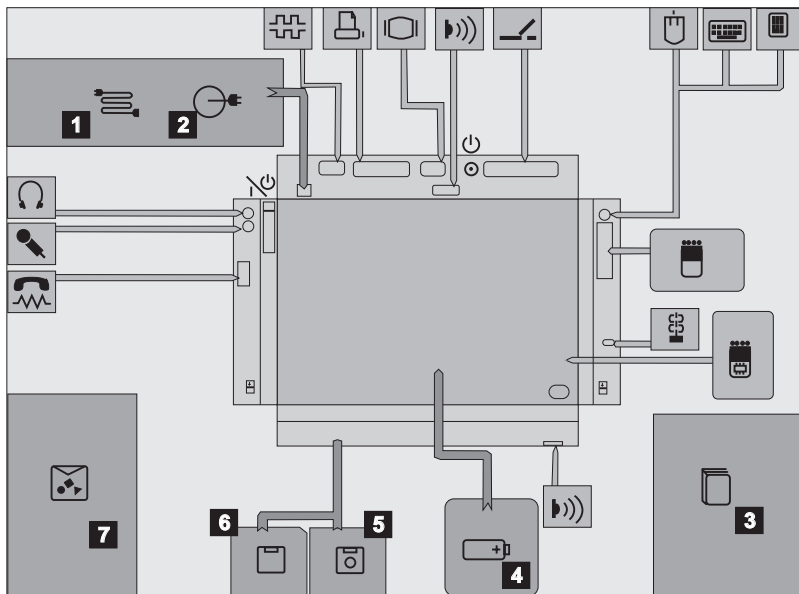
## Checking Your Items

Start checking the shipped items by using the Product Map.

- 1** Remove the Product Map from the box and spread it on a desk or flat surface.
- 2** Remove the items from the box, one by one, and match them with the corresponding numbers in the figure on page 5.

Make sure that no items are missing. If any item is missing or damaged, contact your place of purchase.

## Getting Started



1  
The **Power Cord** connects the AC Adapter to the electrical outlet. Some AC Adapters are not shipped with a power cord.



2  
The **AC Adapter** plugs into an electrical outlet and supplies power to the computer.



3  
The **User's Guide** is this book. It provides the installing and operating information you need for your computer.



4  
The **Battery Pack** supplies power to the computer for mobile operation.



5  
The **Utility Diskette** contains the various system programs.



6  
The **Driver Diskettes** contain the device drivers.



7  
The **Miscellaneous Items Envelope** contains:

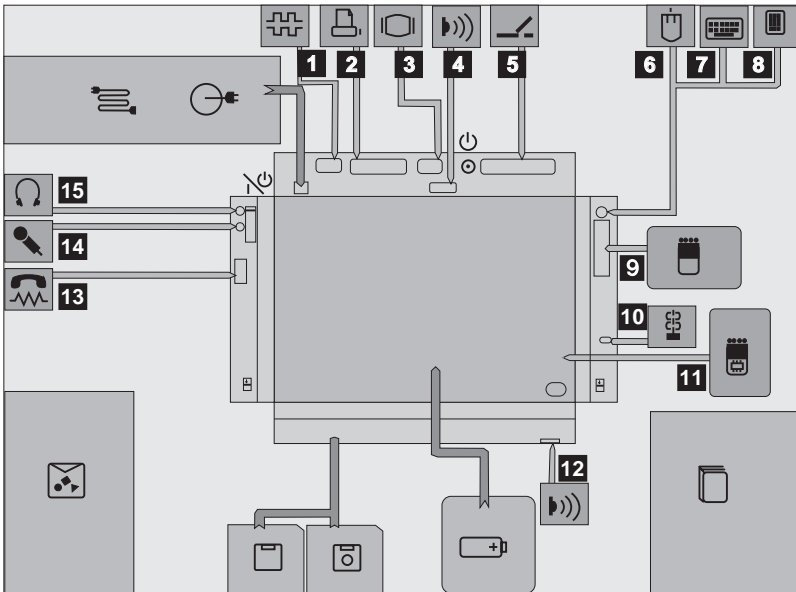
Telephone cable  
Spare caps for TrackPoint III  
Spacer  
PC (PCMCIA) card lock  
Other items

† In some countries, backup diskettes should be created using the Diskette Factory program when the computer power is turned on for the first time. Follow the instructions for "Building System Diskettes" in the *Preload Guide* supplied with the computer.

## Getting Started

# Other Symbols on the Product Map

This section describes the slots, connectors, and options that are shown on the Product Map. To install options, refer to Chapter 6, "Installing and Removing Options" on page 137.



1 


The **Serial Connector** connects a 9-pin, serial-device cable.

2 

The **Parallel Connector** usually connects a parallel-printer signal cable.

3 

The **External-Display Connector** connects the signal cable of a video graphics adapter (VGA), super video graphics adapter (SVGA), or compatible display.

4 / 12 

The **Infrared Port** is where data between computers or systems is transferred using infrared (IR) technology, without connecting cables.

5 

The **System Expansion Connector** connects the expansion unit or port replicator.

6 

An external **Mouse** connects directly to the external input-device connector or is used with the external numeric keypad.

7 

An **External Keyboard** connects to the external input-device connector through the keyboard/mouse connector.

8 

An **External Numeric Keypad** connects to the external input-device connector.

9 

The **PCMCIA Slots** accept one or two Personal Computer Memory Card International Association (PCMCIA) cards (hereafter called *PC Cards*).

## Getting Started



The **Security Keyhole** attaches a Kensington\*\* MicroSaver\*\* Security System lock (hereafter called a *Kensington lock*) or compatible locks to secure your computer.



The **Memory Slot** accepts a dual inline memory module (DIMM) adapter with one or two DIMM memory options.

12

**Infrared Port.** See 4 .



The **Modem/Fax Port** connects a modem or fax cable. (Available as an option in some countries.)



The **Microphone/Line-In Jack** is a 1/8-inch (3.5-mm) diameter jack that connects a stereo microphone or external audio device. A dynamic microphone or condenser microphone, operated by an external power source, or an equivalent audio device can be used. *The built-in microphone is disabled when you use this jack.*



The **Headphone Jack** is a 1/8-inch (3.5-mm) diameter jack that connects a stereo headphone or external speakers.

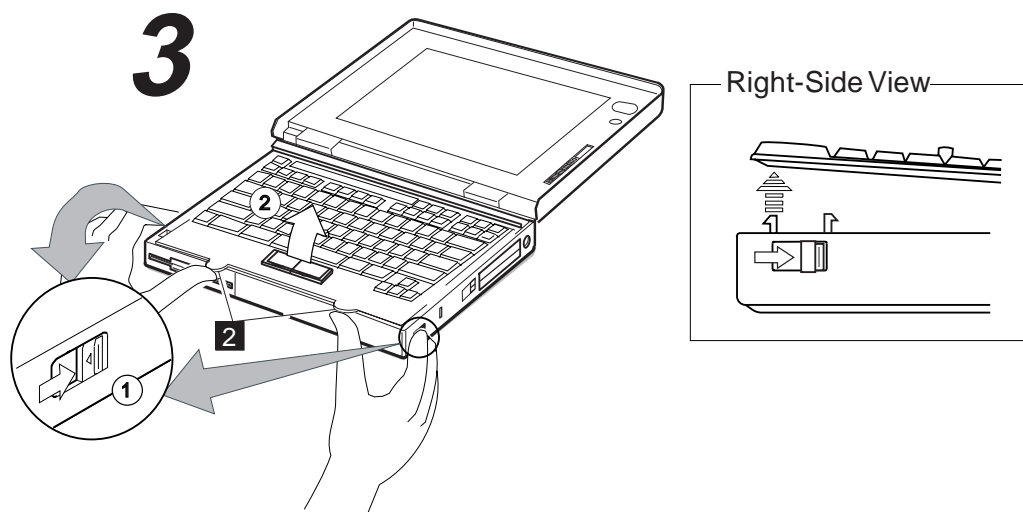
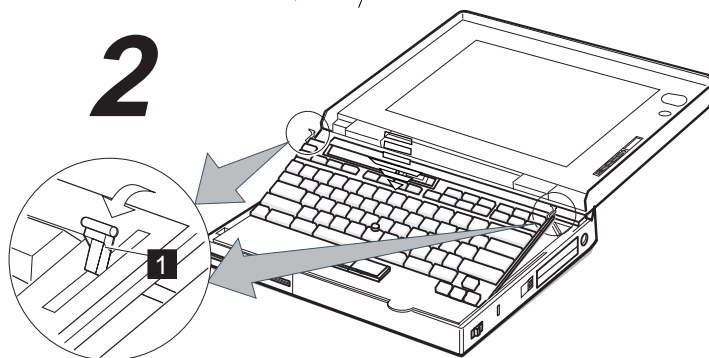
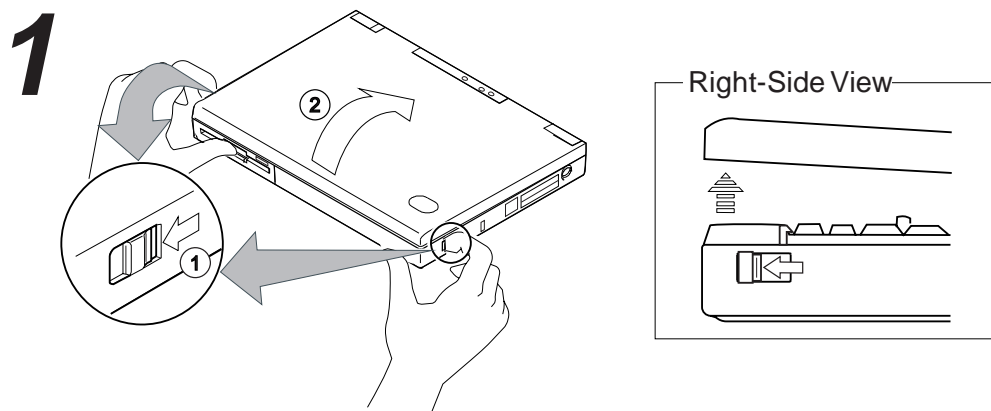
**Warning:** *To avoid possible loss of hearing, do not wear the headphones while you turn on the computer or connect the headphones to this jack.*

## Setting Up Your Computer

You are now ready to assemble and start your computer. The steps on the next few pages will guide you through the process. The following conventions are used in the steps and illustrations that appear in the Getting Started section.

- 1** Indicates the main sequence of actions. This number in a step corresponds to the same number in a figure.
- ① Indicates subsequent actions that follow a main action. An arrow accompanying a circled number shows the direction of movement.

## Getting Started





To install the battery pack:

- 1** Slide the latches on both sides of the computer toward the front, and open the liquid crystal display (LCD).  
(Do ① and ②.)

When the LCD opens, the keyboard is slanted slightly at an easy typing angle.

- 2** Slide the keyboard raiser 1 on both sides of the keyboard toward you, and push the keyboard down so it lies flat on the computer.  
(Do ① and ②.)

**Warning:**

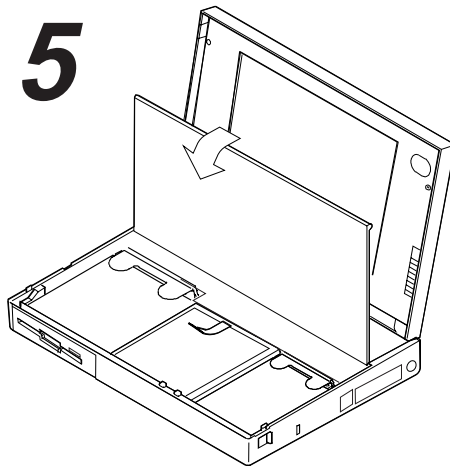
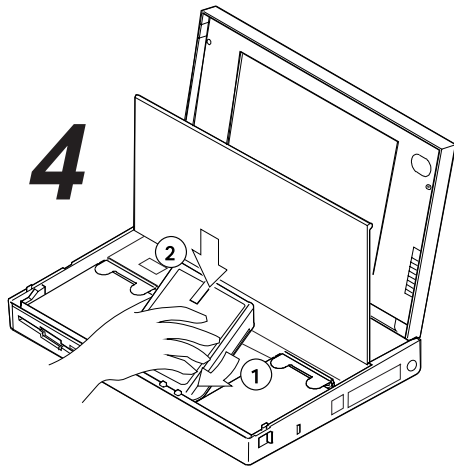
*Always push the keyboard down flat on the computer whenever you open the keyboard.*

- 3** Push the same latches used in step 1 on both sides of the computer further away from you; then raise the keyboard.  
(Do ① and ②.)

Some pressure might be needed to slide these latches if they are tight.

You can use the tabs 2 on the front of the keyboard to easily open the keyboard.

## Getting Started





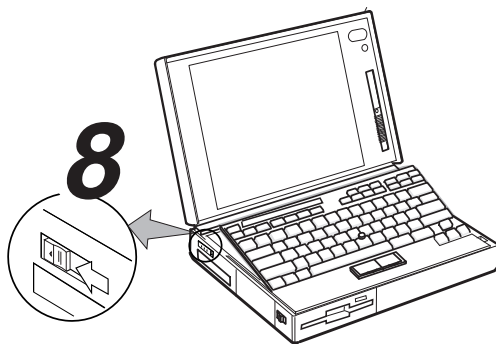
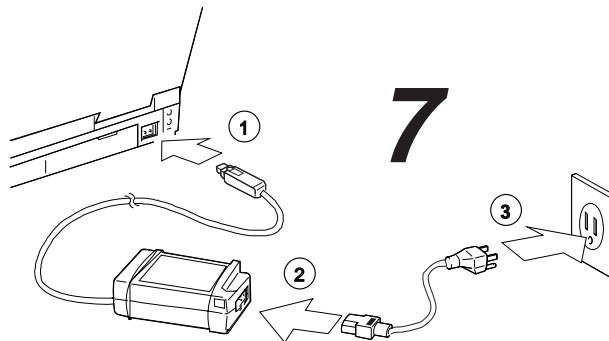
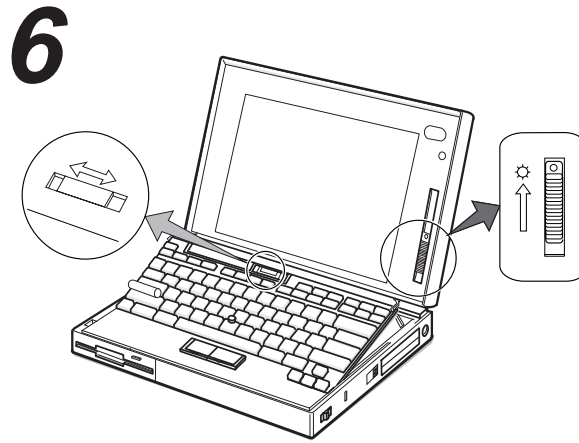
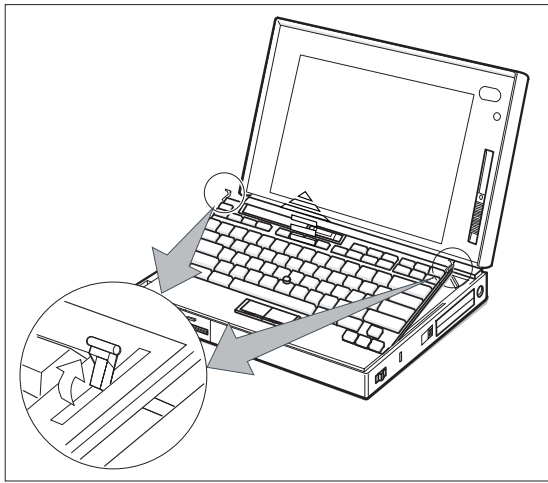
**The battery pack provided with your computer contains a small amount of harmful substances. To avoid possible injury:**

- Keep the battery pack away from fire.**
- Do not soak the battery pack in water or expose it to rain.**
- Do not attempt to disassemble the battery pack.**
- Avoid mechanical shocks to the battery.**
- Always use battery packs recommended by IBM.**
- Keep the battery pack away from children.**

**When disposing of the battery, comply with local regulations or your company's safety standards.**

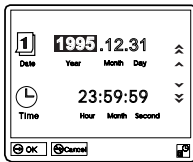
- 4** Install the battery pack with the blue-strap side up into the middle (empty) bay, and press it firmly into the connector.  
(Do ①, ②, and ③)
- 5** Close the keyboard.  
Make sure it clicks into place.

## Getting Started

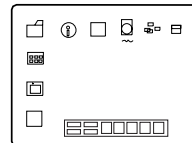


You can raise the keyboard to an angle for easy typing by sliding the keyboard raiser (used in step 2 on page 9) away from you.

- 6** Position the LCD so that it is convenient for viewing; then slide the speaker volume control to the middle position and position the brightness control (☀) as shown.
- 7** Connect the AC Adapter as shown.  
(Do ①, ②, and ③.)
- 8** Push and release the power switch to turn on the computer.  
The power switch automatically returns to its original position after you push and release it.
- 9** After a single beep, one of the following screens appears, confirming that the system is operating correctly.



*Date and Time menu*



*Startup screen*

This screen instructs you to set the initial date and time. To set the date and time, see “Using Easy-Setup” on page 44.

If you purchased a computer with a preinstalled operating system, the startup screen for the operating system appears. (The screen shown is an example of an operating system screen.)

A demonstration program might run automatically.

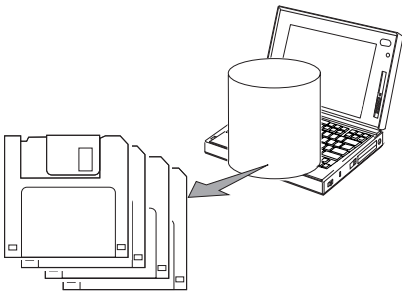
If any other screen appears, a failure might have occurred in the computer. See Chapter 8, “Solving Computer Problems” on page 209.

Congratulations! You have successfully completed the basic setup of your computer.

## Getting Started

You can now start using your computer or continue reading Chapter 2, "Getting Familiar with Your Computer" on page 15 for more information about your computer.

### Important



It is recommended that you make a backup copy of the files on the hard disk drive, in case you accidentally erase preinstalled software or intentionally modify the hard disk drive. You can use the backup copy to restore your computer to the way it was at the time of purchase.

In some countries, you can create the device driver diskettes you need to install all necessary software, using the Diskette Factory program. Follow the instructions for "Building System Diskettes" in the *Preload Guide* supplied with your computer.

## Chapter 2. Getting Familiar with Your Computer

---

This chapter provides basic information about your computer.

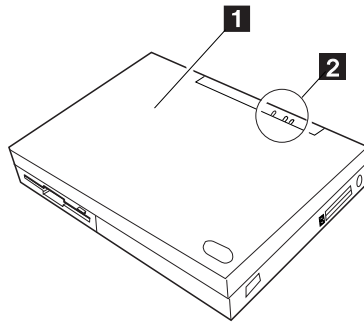
Identifying the Hardware Features . . . . .	16
System-Status Indicators . . . . .	20
Indicator Lamps . . . . .	20
LCD Indicator . . . . .	21
Providing Power . . . . .	23
AC Adapter . . . . .	23
Battery Pack . . . . .	24
Car Battery Adapter . . . . .	25
Operating with the TrackPoint III . . . . .	26
Changing the Cap . . . . .	28
Operating the Numeric Keypad . . . . .	29
Using the Display . . . . .	30
Using a DOS Application with Your Computer . . . . .	31
Viewing the Online Book . . . . .	32
Starting in OS/2 or Windows . . . . .	32
Starting in DOS . . . . .	32
Keeping the Computer from Being Damaged . . . . .	33
Carrying the Computer . . . . .	34

## Identifying the Hardware Features

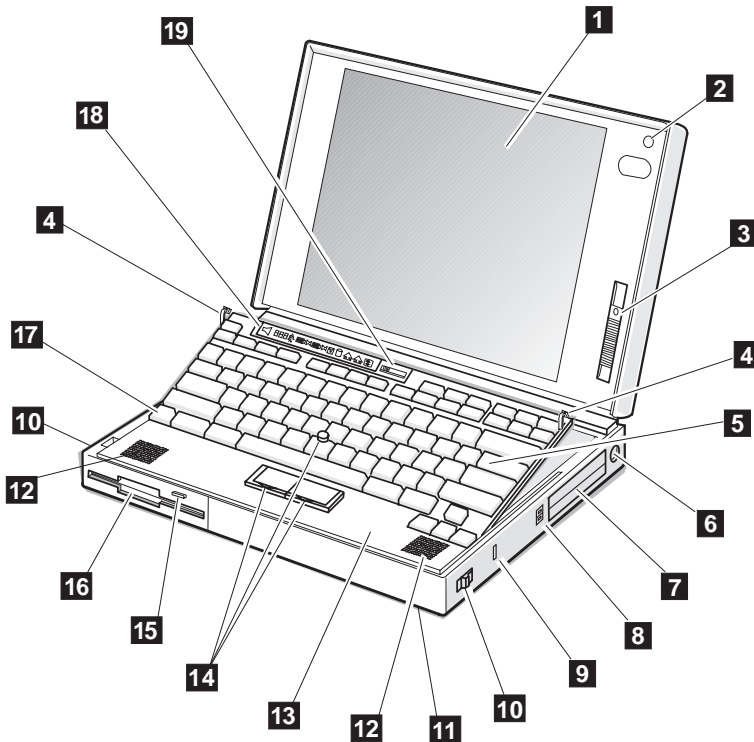
# Identifying the Hardware Features

In this section, you can review the hardware features of your computer.

### Top View



### Front View





## Identifying the Hardware Features

### Top View

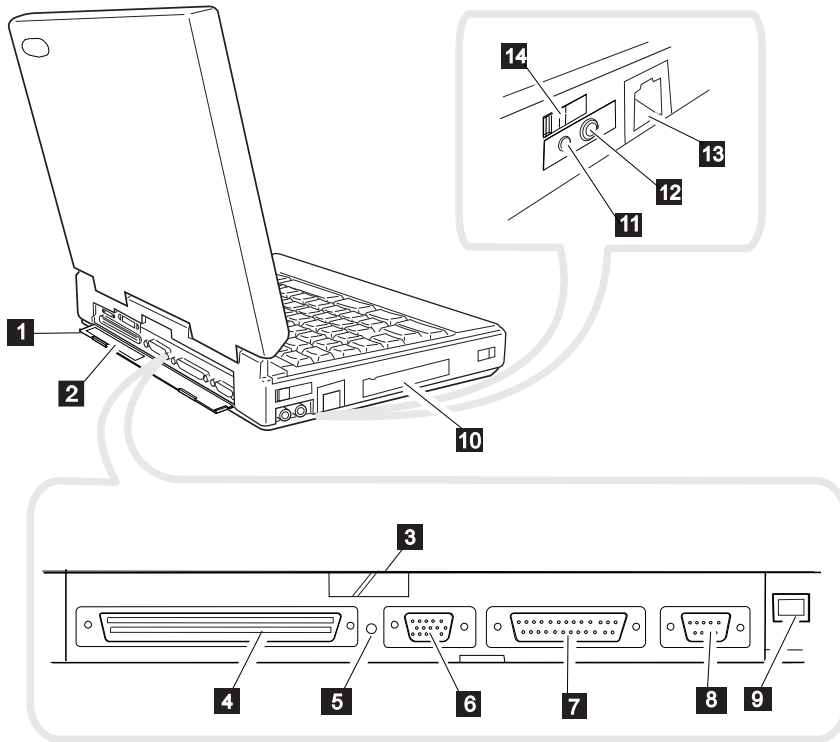
- 1 The **top cover** holds the computer display also.
- 2 The **indicator lamps** consist of the power-on, suspend, and battery-status lamps. (See page 20.)

### Front View

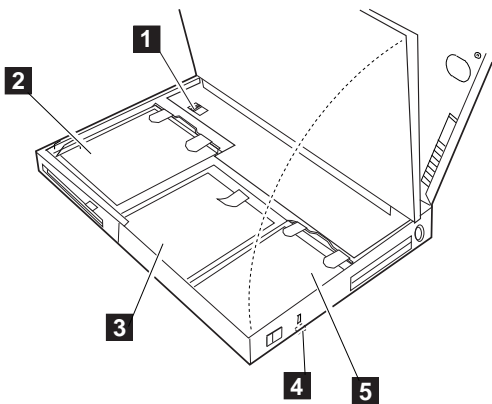
- 1 The **color LCD screen**, which uses thin-film transistor (TFT) technology, displays the computer output and can be moved to any desired viewing angle. SVGA (800-by-600 resolution) video mode is supported with 65 536 colors on the LCD. (See page 30.)  
A maximum of 1024-by-768 resolution video can be produced with 256 colors on any attached external display that supports this resolution mode. (See page 170.)
- 2 The **built-in microphone** captures sound and voice when it is used with an application program capable of handling an audio or telephony function. (See page 71.)
- 3 The **brightness control** moves up or down to adjust the brightness of the display.
- 4 The **keyboard raisers** are used to lay the keyboard flat before opening the keyboard. (See page 13.)
- 5 The **keyboard** is used to enter data into the computer. To use the numeric keypad on the keyboard, see page 29.
- 6 The **external-input-device connector** is used to attach a mouse, external keyboard, or external numeric keypad to the computer. (See pages 167–169.)
- 7 The **PCMCIA slots** accept one or two PC Cards. (See page 138.)
- 8 The **PC Card eject buttons** eject the PC Card from the PCMCIA slot. (See page 141.)
- 9 The **security keyhole** is used with a Kensington lock or a compatible lock to protect your computer. (See page 131.)
- 1 The **release latches** release the LCD or keyboard. Sliding them toward the front opens the LCD, and sliding them towards the back opens the keyboard.
- 11 The **front infrared port** allows the computer to communicate with other devices that have infrared data-transfer capability. (See page 68.)
- 12 The **built-in speakers** reproduce computer sounds such as beeps, music, or voices.
- 13 The **palm rest** is where you rest the palms of your hands when using the keyboard.
- 14 The **TrackPoint III** is a built-in pointing device that provides a function similar to that of a mouse. It consists of a pointing stick and two click buttons. (See page 26.)
- 15 The **diskette-eject button** ejects a diskette from the diskette drive.
- 16 The **removable diskette drive** installed in the UltraBay reads data from or writes data to a diskette. One 3.5-inch, 1.44MB or 2.88MB diskette drive can be installed.
- 17 The **Fn key** is used with the function keys to activate the **Fn** key functions. (See page 51.)
- 18 The **LCD indicator panel** shows the current status of the computer and battery power with symbols and numeric information. (See page 21.)
- 19 The **volume control** adjusts the sound level for the built-in speakers.

## Identifying the Hardware Features

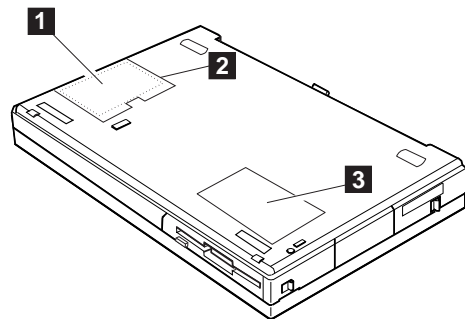
### Rear View



### Inside View



### Bottom View



## Identifying the Hardware Features

### Rear View

- 1 The **rear door** covers the connectors at the rear of the computer.
- 2 The **connector door** allows you to connect a cable to the system-expansion connector when the rear door is closed.
- 3 The **rear infrared port**. (See “front infrared port” on page 17.)
- 4 The **system-expansion connector** is used to connect the IBM Dock I, Dock II, or port replicator. (See page 175.)
- 5 The **power shutdown switch** is used to turn the computer off when an application locks up or the computer will not accept any input. Use the tip of a pen to press this switch.
- 6 The **external-display connector** is where you connect the signal cable of VGA, SVGA, or compatible display. (See page 170.)
- 7 The **parallel connector** is where you usually connect a parallel-printer signal cable.
- 8 The **serial connector** is where you connect a 9-pin, serial-device cable.
- 9 The **power jack** is where the AC Adapter cable is connected.
- 1 The **option cover** can be removed when options are used in the UltraBay.
- 11 The **headphone jack**, a 1/8-inch (3.5-mm) diameter jack, is where you connect a stereo headphone or external speakers. (See page 71.)
- 12 The **microphone/line-in jack**, a 1/8-inch (3.5-mm) diameter jack, is where a stereo microphone or external audio device is connected. (See page 71.)
- 13 The **modem/fax port** is where you connect a modem connector or attachment. This is offered as an option in some countries. (For use: see page 71. For installation: see page 163.)
- 14 The **power switch** turns the computer on and off.

### Inside View

- 1 The **modem/fax port release latch** releases the modem/fax port from the computer. (See page 163.)
- 2 The **removable diskette drive**. See page 17. (For installing options in the UltraBay: see page 159.)
- 3 The **battery pack** allows you to operate the computer when ac power is not available. (See page 24.)
- 4 The **security latch** opens or closes the security keyhole. (See page 131.)
- 5 The **removable hard disk drive** can be replaced with one of a different capacity. (See page 149.)

### Bottom View

- 1 The **memory slot** accepts one or two memory module (DIMM) options to increase the memory capacity of your computer. (See page 142.)
- 2 The **memory-slot cover** is opened when you insert DIMM options. (See page 142.)
- 3 The **serial number (S/N)** identifies your computer. Write it down on page 237.

## System-Status Indicators

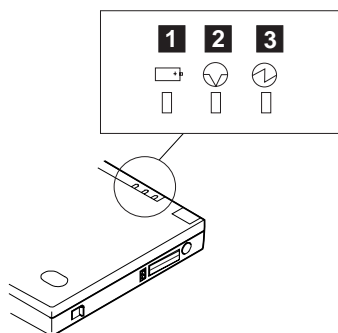
# System-Status Indicators

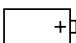


The system-status indicators consist of three lamps and information shown on a black-and-white LCD panel.

## Indicator Lamps

The indicator lamps show the computer status by their on or off states or by their colors (green or orange). Each indicator is identified by a symbol.

The indicator lamps can be seen only when the LCD cover of the computer is closed.

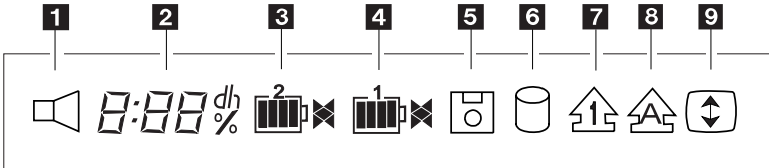


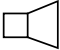



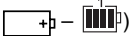



Symbol	Color	Meaning
1 Battery 	Green	Enough battery power remains for operation.
	Orange	The battery pack is being charged.
	Blinking orange	The battery pack needs charging. When the lamp starts blinking orange, the computer beeps three times.
2 Suspend mode 	Green	Indicates that the computer is in suspend mode. See page 99 for details about suspend mode.
	Blinking green	Indicates that the computer is entering suspend mode or hibernation mode, or is resuming normal operation.
3 Power on 	Green	Indicates that the computer is operational. This indicator is on when the computer is on and not in suspend mode.

### LCD Indicator


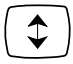
The LCD indicator panel, which you can see when the LCD cover is open, shows the status of the computer and the battery pack installed in the computer.

The following shows the location and the meaning of each icon:



Icon	Meaning
1 Speaker 	When enabled in the ThinkPad Features program, this indicator appears when the speaker sounds. It turns off when any key is pressed. (To enable this indicator, see “Using the ThinkPad Features Program” on page 38.)
2 Remaining battery 	The amount of remaining battery power is shown by a percentage (%), day ( <i>d</i> ), hour ( <i>h</i> ), or numerical value (4:3 ). For details, see page 88.
3 Secondary battery status 	Indicates the status of the battery pack installed in the UltraBay. For details, see below.
4 Main battery status 	Indicates the following status of the battery pack in the battery pack bay.  The amount of remaining power (in five levels:  Charging status (<: charging, > : discharging, and <b>(blank)</b> : no activity) For details, see page 88.
5 Diskette drive in use 	Appears when data is read from or written to a diskette. <i>Do not enter suspend mode or eject the diskette when this indicator appears.</i>
6 Hard disk in use 	Appears when data is read from or written to the hard disk. <i>Do not enter suspend mode or turn off the computer when this indicator appears.</i>
7 Numeric lock 	Indicates that the numeric keypad on the keyboard is enabled. The keypad is enabled and disabled by pressing and holding the <b>Shift</b> key, and pressing the <b>NumLk</b> key. For details, see “Operating the Numeric Keypad” on page 29.

## System-Status Indicators

Icon	Meaning
8 Caps lock 	Indicates that the Caps Lock mode is enabled. All alphabetic characters (A–Z) are entered in capital letters without the use of the <b>Shift</b> key. The Caps Lock mode is enabled and disabled by pressing the <b>Caps Lock</b> key.
9 Scroll lock 	Alternately turns on and off each time the <b>ScrLk</b> key is pressed. While this indicator is on, the <b>Arrow</b> keys are used as screen-scroll function keys. In this state, the cursor cannot be moved with the <b>Arrow</b> keys. Not all application programs support this function.

## Providing Power

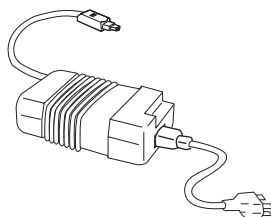
Your computer can be operated with the AC Adapter, battery pack, or Car Battery Adapter (available as an option).

### AC Adapter

**Note:**

When the AC Adapter is connected, and the remaining power of the installed battery pack is less than a certain amount, discharging and then charging of the battery pack starts automatically.

The AC Adapter is an alternating-current-to-direct-current (ac-to-dc) converter that supplies power for the computer. The AC Adapter also charges the battery pack when the battery packs are installed in the computer. The input rating for the AC Adapter is 100–240 V ac, 50/60 Hz.



**Do not attempt to open the AC Adapter case. The AC Adapter is permanently sealed and cannot be repaired.**

**Warning:**

**Always use an AC Adapter certified by IBM in the country where you will be using the computer. Operating the computer with an incorrect AC Adapter can cause damage to the battery pack and to the computer.**

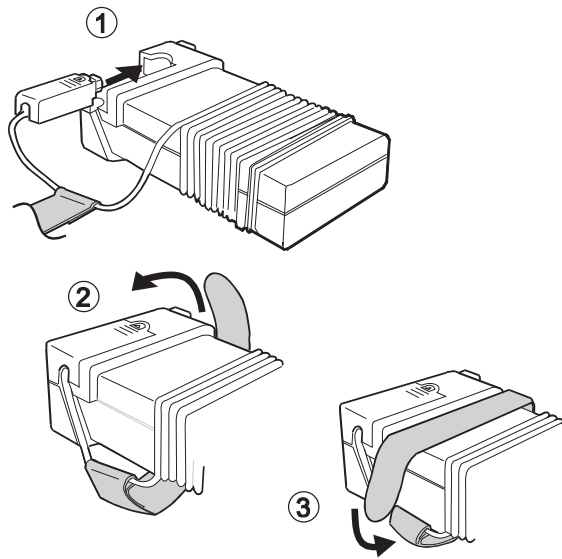
If you turn on the computer with the battery pack installed, you will hear a short beep when you connect or disconnect the AC Adapter from the computer. This short beep means that the power source has been changed.

When the AC Adapter cable is disconnected from the computer with a battery pack installed, the LCD brightness decreases slightly to conserve battery power.

## Providing Power

### To Wrap and Fasten the AC Adapter Cable

When you carry the AC Adapter with your computer, you can wrap and fasten the cable as follows:



## Battery Pack

The battery pack is an internal power source for the computer. The battery pack can be recharged with the AC Adapter or the battery charger (available as an option).

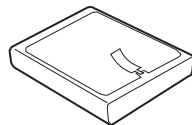
To charge the battery pack:

 Page 84.

Battery packs are shipped from the factory in an almost discharged state, so you *must charge* them before use. To operate your computer with the battery pack, see Chapter 4.

You can use the following battery pack for your computer.

### Lithium Ion Battery Pack





## Providing Power

The following table shows the operating time of the computer with a fully charged lithium ion battery pack:

### Note:

Battery operating time depends on the options used with the computer, the frequency of key input, applications, and the configuration of the system, so your battery operating time might be shorter or longer than the listed times.

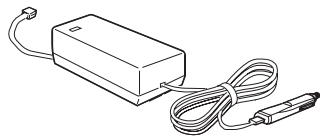
ThinkPad 760C	Battery Operating Time	
	With One Battery Pack	With Two Battery Packs
Model with 10.4-inch LCD	3.8—10.0 hours	7.6—20.0 hours
Model with 12.1-inch LCD	3.5—9.0 hours	7.0—18.0 hours

### For Your Information

*Standby Battery:* Your computer has another rechargeable battery, called the *standby battery*. It supplies the necessary power to save data when a battery pack is replaced during suspend mode. The standby battery can be replaced only by your IBM authorized reseller or IBM marketing representative. To charge the standby battery, connect the AC Adapter to the computer. When using the computer for the first time, let the battery charge for at least 8 hours to allow it to become fully charged.

## Car Battery Adapter

The Car Battery Adapter, available as an option, plugs into the cigarette lighter socket of a car and supplies power to your computer.



See the manual supplied with the Car Battery Adapter for details.

## Using the TrackPoint III

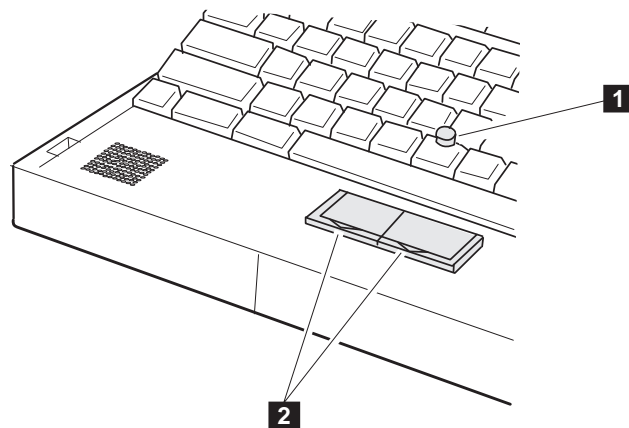
# Operating with the TrackPoint III

**Note:**

No other software is required for the TrackPoint III; it works with the PS/2 mouse driver.

The keyboard contains a unique cursor-pointing device called the *TrackPoint III*. Pointing, selecting, and dragging all become part of a single process you can perform without moving your fingers from their typing position.

The TrackPoint III consists of a stick **1** on the keyboard and a pair of click buttons **2** below the keyboard. The motion of the cursor on the screen is controlled by the amount of pressure applied to the nonslip cap on the stick in any direction parallel to the keyboard; the stick does *not* move. The speed at which the cursor moves corresponds to the amount of pressure on the stick. The function of the click buttons depends on the software that is used.



## Using the TrackPoint III

If you are not familiar with using the TrackPoint III, these instructions will help you get started:

**Note:**

Remember that the stick does not move, and your finger should not move on it.

**Note:**

The mouse cursor may drift in some computer conditions. This is not a defect. Do not use the TrackPoint III until the pointer stops moving.

**Note:**

When you are not using the TrackPoint III, for example, when the power is off, do not leave the click button locked.

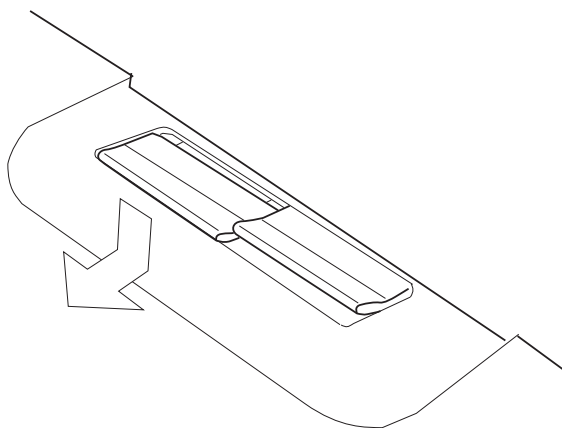
- 1** Place your hands in the typing position and press gently on the stick with either index finger in the direction in which you want the cursor to move.

Pressing the stick away from you moves the cursor up the screen; pressing it toward you moves the cursor down the screen. You can also move the cursor side to side by pressing sideways.

- 2** Press the click buttons with either thumb to select and drag as required by your software, as with any other pointing device.

### Hints and Tips

You can easily drag an item across the screen without constantly pressing the click buttons of the TrackPoint III. To drag and drop an object, press the click button and slide it toward the front of the computer. The click button locks in place; you can now drag the object across the screen with the TrackPoint III stick without holding down the click button.

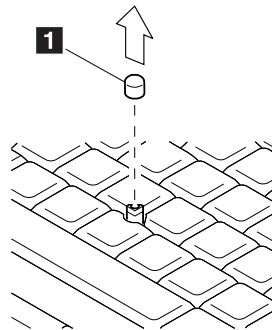


To release the latch, push the click button backwards.

## *Using the TrackPoint III*

### **Changing the Cap**

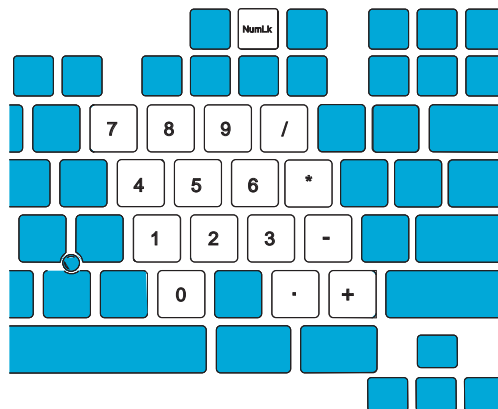
The cap 1 on the end of the TrackPoint III is removable. You can replace it with one of the spares shipped with your computer.



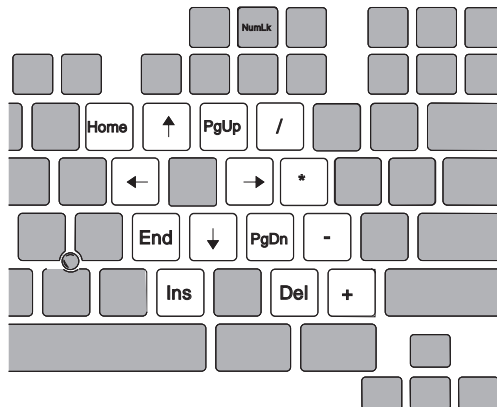
## Operating the Numeric Keypad

The keyboard has some keys that, when enabled, work as if they were a 10-key numeric keypad. (The numeric keypad on the keyboard is not active when the external keyboard or the external numeric keypad is attached to the computer.)

To enable the numeric keypad, press and hold **Shift** and then press **NumLk**.



When the keypad is enabled, press and hold **Shift** to temporarily use the cursor- and screen-control keys.



To disable the numeric keypad, press and hold **Shift**; then press **NumLk** again.

## Using the Display

# Using the Display

To attach the external display:

 Page 170.

To change the display mode:

 Page 171.

The color LCD of your computer supports SVGA mode (800-by-600 video resolution) with up to 65 536 colors.

When you attach an external display that supports higher resolution than VGA mode, you can get a maximum of 1024-by-768 video resolution.

To display computer output on an external display, you need to set the appropriate *display mode*. You can select one of the following display modes:

*LCD only*: The computer output is displayed only on the LCD.


*CRT only*: The computer output is displayed only on the attached external display.

If no external display is attached to the computer and the display mode is set to *CRT only*, the output is displayed on the LCD.

*Both*: The computer output is displayed on both the LCD and the external display.

## Using a DOS Application with Your Computer

When you use a DOS application that supports only VGA mode (640-by-480 resolution) with your computer, the screen image might look slightly distorted or might appear smaller than the display size, as shown in the following table. This is to maintain compatibility with DOS applications.

PS2 command for screen expansion:  Page 277.

**Note:**

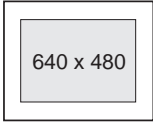

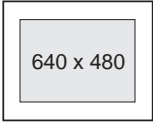
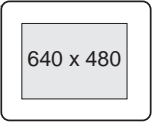
When display mode is set to 640-by-480 resolution and 65536 colors, screen expansion is not available.

**Warning:**

\* **When you select Both, do not attach an external display that supports only VGA mode (640-by-480 resolution). Otherwise, the external display screen will be scrambled and the output will not be displayed, or the screen might be damaged.**

The *screen expansion* function in the ThinkPad Features program lets you set the screen image to the same size as the actual screen size, but it may look slightly distorted, except when display mode is set to “CRT only”.

If screen expansion is set to off, the screen image appears as follows:

Display Mode			
LCD only	CRT only	Both *	
		On the LCD	On the external display
 <p>640 x 480</p>	 <p>640 x 480</p>	 <p>640 x 480</p>	 <p>640 x 480</p>
<p>The screen image appears in the center of the LCD and is smaller than the actual LCD size.</p>	<p>The screen image is the same size as the actual screen size.</p>	<p>The screen image appears in the center of the LCD and is smaller than the actual LCD size.</p>	<p>The screen image appears in the center of the LCD and is smaller than the actual LCD size.</p>

## Viewing the Online Book

**Note:**  
The online book is not available in all countries.

You can view this *User's Guide* online to retrieve information about the computer. The *online book* provides a very easy way of getting needed information when you are traveling.



### Starting in OS/2 or Windows

Click on the **Online Book** icon.



### Starting in DOS

**1** Type **CD\READIBM** at the command prompt and press **Enter**.

**2** Type **READIBM** and press **Enter**.  
The menu for the online book appears. Choose any subject from the menu.

#### Hints and Tips

You can leave a “bookmark” or write notes as you read through the online book:

To close the book with a bookmark, select **Place closing bookmark** when you exit the online book.

To write notes:

1. Position the cursor at the place where you want to write a note.
2. Select **Notes** from the action bar; then select **Create...** from the pull-down menu.
3. Write any note; then save it.

A symbol (>) is placed next to where you left the note. To read the note, select **Display/Edit...** from the **Note** pull-down menu.



## Keeping the Computer from Being Damaged

Your computer is a delicate device that requires careful handling. To keep it from being damaged, keep these precautions in mind:

- Do not apply any shocks to your computer.
- Do not place anything heavy on your computer.
- Do not pour liquid into your computer.
- Do not leave any objects (especially metal objects) in the computer.
- Keep the computer at least 13 cm (5 in.) away from any electrical appliance that generates a strong magnetic field such as a motor, magnet, TV, refrigerator, or large audio speakers.
- Use your computer when temperatures are between 5°C to 35°C (41°F to 95°F).
- Do not disassemble the computer.
- Do not scratch, twist, hit, or push the surface of the LCD.
- Remove the battery pack and keep it in a cool place if you will not be using the computer for a long period of time.

The removable hard disk drive and diskette drive are also very delicate devices that need careful handling. To avoid damage, do not press on them, drop them, or apply any shock to them when they are removed from the computer.

- Do not press on the middle part of the diskette drive.
- Insert a diskette straight into the diskette drive. Inserting it at an angle can damage the front of the diskette drive.
- Do not place more than one diskette label on a diskette. Two or more labels can cause a label to tear apart inside the drive and cause damage to the diskette drive.

Occasionally clean your computer as follows:

- Use a soft cloth moistened with nonalkaline detergent to wipe the exterior of the computer.
- Gently wipe the LCD with a dry, soft cloth. Do not use alcohol or detergent.

## Carrying the Computer

When carrying your computer, follow these instructions to prevent possible damage to your computer and data:

**Note:**

To reduce the weight of the computer when traveling, remove the diskette drive if you will not be using it.

To remove the diskette drive:

 Page 159.

- 1** Remove any diskette from the diskette drive.
- 2** Turn off all attached devices.
- 3** Turn off the computer and close the LCD.
- 4** Unplug all external cables and cords connected to the computer.
- 5** Make sure all computer doors and covers are closed.

**For Your Information**

1. You should occasionally back up data from the hard disk to diskettes or tapes.
2. To use the AC Adapter outside your home country, you need an ac power cord that is certified for the country you are visiting. You can purchase one through IBM authorized reseller or IBM marketing representative in that country. For information about power cords, see "IBM Power Cords" on page 284.
3. A carrying case is available from your IBM authorized reseller or IBM marketing representative.

## Chapter 3. Operating Your Computer

---

This chapter provides information about the use of your computer.

What Happens When Power Is Turned On? . . . . .	37
Using the ThinkPad Features Program . . . . .	38
Starting the ThinkPad Features Program . . . . .	39
Starting the Program for OS/2 and Microsoft Windows . . . . .	39
Starting the Program in DOS . . . . .	42
Using Easy-Setup . . . . .	44
Starting Easy-Setup . . . . .	44
Using the Selectable Drive-Startup Sequence . . . . .	49
Changing the Startup Sequence . . . . .	49
Selecting the Network RPL Speed . . . . .	50
Using the Fn Key . . . . .	51
Using PC Cards . . . . .	53
PC Card Limitations under Suspend Mode . . . . .	53
Using the PC Card Director Program . . . . .	54
Starting PC Card Director for OS/2 or Windows . . . . .	55
Details about the Displayed Information . . . . .	56
Setting the Power for a PC Card . . . . .	59
Starting the PC Card Director Launcher . . . . .	60
Displaying a List of Registered PC Cards . . . . .	62
Setting the Memory Area for Windows . . . . .	63
Changing the PC Card Director View . . . . .	64
ATA Card Mount Utility . . . . .	65
The Auto Configurator Utility . . . . .	66
Starting PC Card Director for DOS . . . . .	67
ATA Card Mount Utility . . . . .	67
Using the Infrared Communication Feature . . . . .	68
Considerations for Communication . . . . .	70
Using the Mwave DSP Features . . . . .	71
Using the Audio Function . . . . .	74
Using the Function for OS/2 . . . . .	74
Using the Function for DOS . . . . .	74
Using the Function for Windows or WIN-OS/2 . . . . .	76
Using the Telephony Function . . . . .	78
Connecting the Telephone Cable . . . . .	78
Mwave Data Modem . . . . .	80
Using Country Selection . . . . .	81
Mwave Fax Modem . . . . .	81

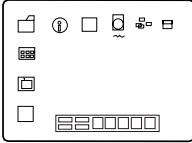
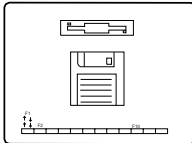
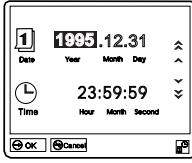
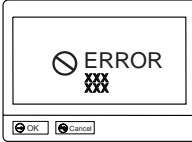
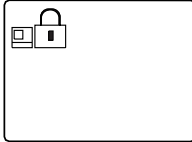
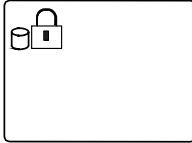
***Carrying the Computer***

Mwave Telephone Answering Machine . . . . . 82

*What Happens after Power-On?*

## What Happens When Power Is Turned On?

You see one of the following prompts when the computer is turned on:

 <p>An operating system screen</p>	<p>An operating system screen appears when the computer is operating correctly. The screen you see may differ depending on your operating system.</p>
	<p>This screen appears when an operating system is not found. It instructs you to insert a self-starting diskette into the diskette drive and press <b>F1</b> to start the diskette. The order in which the computer checks the drives for an operating system is set in the drive-startup sequence. See “Using the Selectable Drive-Startup Sequence” on page 49 for more information.</p>
	<p>This screen instructs you to set the date and time for the first time. Enter the date and time (see page 46); then press <b>Enter</b>.</p>
	<p>This screen indicates that a failure occurred during the power-on self-test (POST). See page 222 for the necessary actions.</p>
	<p>This icon appears when a power-on password is set. To start the computer, enter the correct password.</p>
	<p>This icon appears when a hard disk password is set. To unlock the hard disk drive, enter the correct password.</p>

## Using the ThinkPad Features Program

# Using the ThinkPad Features Program

### Note:

When installing an operating system, you must also install the ThinkPad Features program.

To install the ThinkPad Features program:

 Chapter 7.

Fuel-Gauge program:

 Page 92.

Personalization Editor program:

 Page 127.

ThinkPad Features is a program that allows you to select various features for your computer such as:

#### Power management

- Power mode
- Suspend and hibernation options
- Resume options
- Power for devices

#### Alarm

- Speaker indicator setting
- Low-battery alarm

#### Display

- Resolution and color depth settings
- External monitor settings

#### Fuel-Gauge program

- Remaining power percentage
- Current power mode
- Discharge options

#### Docking Control

For information on how to dock or undock the computer using this feature, refer to the documents supplied with the Dock II option.

#### Built-in device setup

- Port settings (serial, parallel, or infrared)

#### Personalization Utilities

- Personalization Editor
- Update Utility

## Starting the ThinkPad Features Program

The way you start the ThinkPad Features program depends on the operating system.

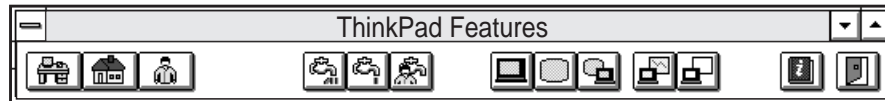


### *Starting the Program for OS/2 and Microsoft Windows*

If you are using OS/2 or Windows, you can use the ThinkPad Features program with a user-friendly graphical user interface. You can select or change any option in the ThinkPad Features program by simply clicking on the buttons on the screen with a pointing device. You can also specify features by entering the appropriate PS2 commands at the command prompt (see page Appendix D, “Using PS2 Commands” on page 273).

ThinkPad Features program has two views, the Tool Bar view and the ThinkPad view.

#### Tool Bar View



In the Tool Bar view, you can:

- Change the system configuration by one touch of the one-touch button.
- Change the power mode for battery operation.
- Change the display device to display information on the LCD, external display, or both.
- Enable presentation mode, which will disable the timers, so the LCD will not turn off or the computer will not enter the power-saving modes during a presentation.

When you press the maximize button in the top-right corner ( ), the ThinkPad view is displayed.

For explanations of the buttons, see the figure on page 40.

#### ThinkPad View

In the ThinkPad view, you can:

- Customize the settings for the one-touch setup buttons.

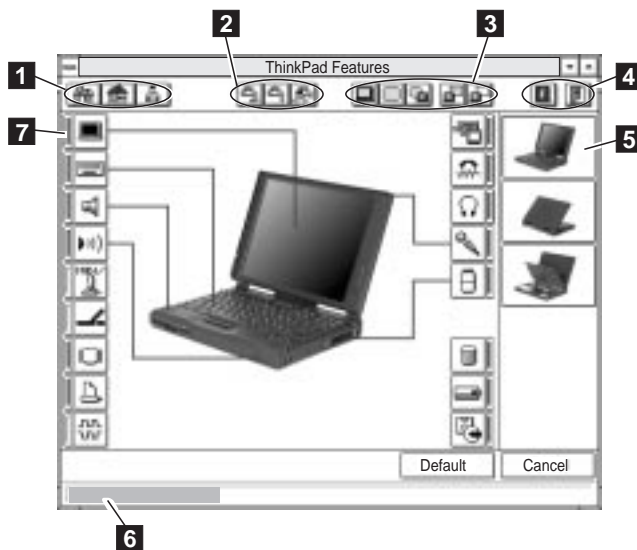
## Using the ThinkPad Features Program







- View or set the configuration for the built-in devices. This allows you to detect or resolve system resource conflicts.

### For your information

A *Help* button is available on the screen. For additional information on each menu item, click on the help button.

When you press the maximize button while in the tool bar view, you see the following screen (any buttons on the screen that appear in gray are options that cannot be set):







- 1 One-touch setup buttons  
Click on one of the buttons to set the system configuration automatically to fit your office (  ), or your home (  ), or to customize it (  ).
- 2 Power mode buttons for battery operation  
Click on one of the buttons to set the power mode for battery operation to high performance mode (  ), automatic mode (  ), or customized mode (  ).



## *Using the ThinkPad Features Program*

### 3 Display device buttons

Click on one of the buttons to set the display mode to the LCD () , external display () , or both () .

When making a presentation, you can click on the presentation button () to disable any system timers, such as turning the LCD off or entering a power-saving mode.

### 4 Click on the left button for help. Click on the right button to save the changes made and to exit the ThinkPad Feature window.

### 5 View angle buttons

Click on the buttons representing the front, rear, or interior view to display the choices and options from that computer view.

### 6 Status bar

When you place the cursor on a device button, the status of the device name and its status appear on this status bar.

### 7 Device buttons

Click on the button of your choice from the screen; then set the options for that device in the window that appears.

When the device is enabled, the red indicator next to the icon is lit. Otherwise, it is disabled.

Click on the **Cancel** button to exit the ThinkPad Features program without saving the changes. Click on the **Default** button to set the default values for each option and cancel the changes you have made.

## Using the ThinkPad Features Program

DOS

### Starting the Program in DOS

The ThinkPad Features program for DOS is a command line interface, so you can specify features by entering appropriate commands. Type **PS2 ?** at the DOS prompt to display the ThinkPad Features online help.

#### Notes:

1. You can use the PS2 commands from the DOS prompt in OS/2 or Windows.
2. This menu screen might look different on your system.

```
C:\> PS2 ?

(C) Copyright IBM Corp. 1993,1995. All rights reserved.
  US Government Users Restricted Rights - Use, duplication
  or disclosure restricted by GSA ADP Schedule Contract
  with IBM Corp.

Command Syntax: PS2  [Parameter1] [Parameter2] [Parameter3]

Following are available [Parameter1].
For the complete command syntax, type 'PS2 ? [Parameter]'.

1.Power Management related
```

You can select an item from the menu and follow the instructions on the screen to set any of the features. For details on the commands, see Appendix D, “Using PS2 Commands” on page 273.

You can create a batch file to set your unique operating environment quickly and easily.

## Using the ThinkPad Features Program

**Note:**

Refer to the manuals supplied with the operating system for more information on batch files.

The following example batch file allows you to set up an operational environment that is suitable for traveling and can result in longer battery operation time.

```
@Echo Off

Rem SAMPLE: Set the parameters to provide maximum power utilization.
Rem =====

        PS2 PMode Auto           > Nul
        PS2 LCd 3                 > Nul
        PS2 DISK 3                > Nul
        PS2 POver 5               > Nul
        PS2 SPeed Fixed MIN       > Nul
        PS2 SStandby 3            > Nul
        PS2 IR OFF                > Nul
        PS2 CARD OFF              > Nul
        PS2 SErial OFF            > Nul
```

## Using Easy-Setup

# Using Easy-Setup

The computer has a built-in system setup function called *Easy-Setup*. *Easy-Setup* allows you to set the date and time, passwords, the startup sequence of the drives, and hardware configurations. *Easy-Setup* also runs the diagnostics.

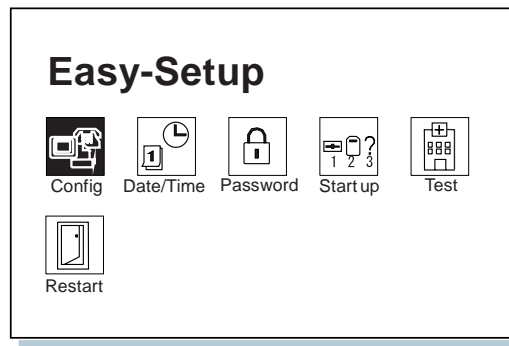
## Starting Easy-Setup

To start *Easy-Setup*:

- 1** Turn off the computer.
- 2** Remove any diskette from the diskette drive.
- 3** Press and hold **F1**; then turn on the computer. Hold **F1** until the *Easy-Setup* menu appears.

### Note:

You can change the screen color of the *Easy-Setup* menu with the key combinations of **Ctrl+PgUp** or **Ctrl+PgDn**. Use **Ctrl+Home** to restore the original screen color.



## Using Easy-Setup

To select an item from the *Easy-Setup* menu, move the pointer with a pointing device to the item and click on the item or use the keyboard as follows:

**Arrow** keys (↑↓←→): Highlight the item from the menu.

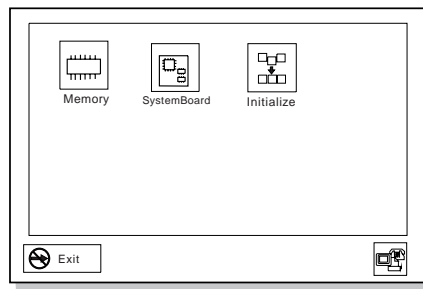
**Spacebar**: Selects the item.

**Enter** key: Enters the next menu, or saves the changes and exits the menu.

**Esc** key: Returns to the previous menu, or cancels the changes.



**Config** contains the following:



Memory

**Memory** shows the amount of installed memory and available memory.



System Board

**SystemBoard** provides information about the installed system board.

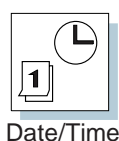


Initialize

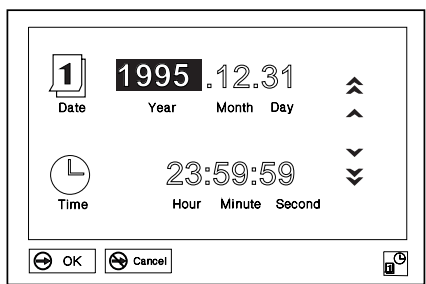
**Initialize** sets all items that have been changed back to their default values.

After verifying your selections, click on **OK** or press **Enter**. To cancel the selections, press **Esc**.

## Using Easy-Setup

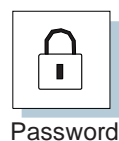


**Date/Time** is used to set the current date and time.



Select any field (Year, Month, Date, Hour, Minute, or Second) with the **Arrow** keys or pointing device; then type or click on the ▲ or ▼ icon to change the setting. Clicking on the ▲ or ▼ icon changes the setting more quickly.

After verifying the selection, click on **OK** or press **Enter**. To cancel the setting, click on **Cancel** or press **Esc**.



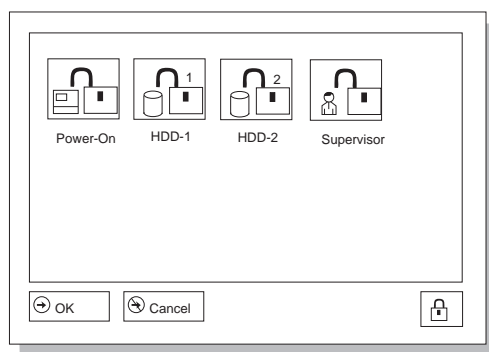
**Password** is used to set:

Power-on password

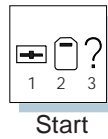
Hard disk password

- *HDD-1* for the hard disk in the hard disk drive bay
- *HDD-2* for the secondary hard disk in the UltraBay

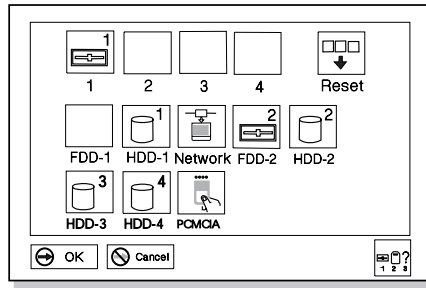
Supervisor password



For more information about passwords, see Chapter 5.

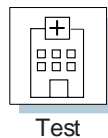


**Start up** is used to change the startup sequence of your computer.

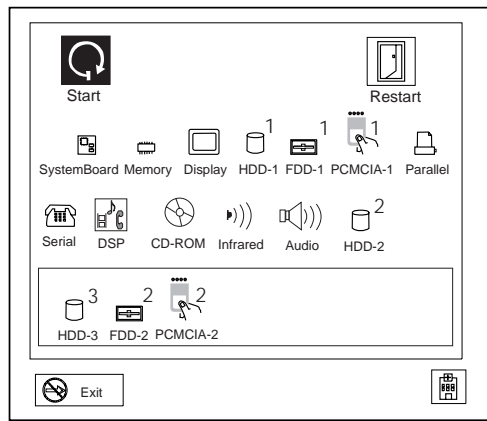


**Note:**  
For more information about the startup sequence, see “Using the Selectable Drive-Startup Sequence” on page 49.

The **HDD-1** icon represents the internal hard disk drive installed in the computer. The other numbered HDD icons are external hard disk drives. **FDD-1** represents the first diskette drive found during system startup. When no diskette drive is installed and if an attached expansion unit (Dock I or Dock II) has a diskette drive, the diskette drive in Dock I or Dock II will be the first drive.



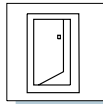
Select **Test** to test the computer hardware.



**Note:**  
The **FDD-1** and **HDD-1** icons represent the diskette drive and hard disk drive of the computer, respectively. The **FDD-2** and **HDD-3** icons represent the externally attached diskette drive and hard disk drives. The **HDD-2** icon represents the hard disk drive in the UltraBay.

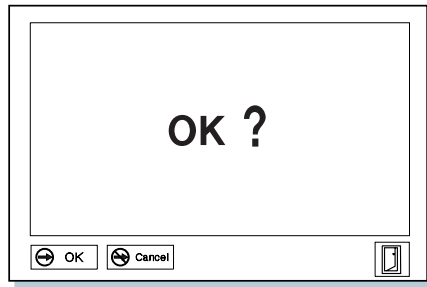
For more information, see “Testing the Computer” on page 215.

## Using Easy-Setup



Restart

Click on **Restart** to restart the computer after you have made your selections. Then press **Enter** or click on **OK**.





## Using the Selectable Drive-Startup Sequence

**Warning:**

If you change your startup sequence, you must be extremely careful when you do write operations (such as copying, saving, or formatting). Your data or programs can be overwritten if you select the wrong drive.

Selectable drive startup (*selectable boot*) allows you to control the startup sequence of the drives in your computer. The order in which the computer searches the drives for your operating system is the *drive-startup sequence*. If you are working with multiple operating systems, you might want to change the drive-startup sequence to load an operating system from the hard disk or a PC Card without checking the diskette drive, or to do a remote program load (RPL).

### Changing the Startup Sequence

To change the startup sequence:

To start Easy-Setup:

 Page 44.

**1** Start Easy-Setup and select the **Start up** icon.

**2** Move the cursor to the **Reset** icon; then press the **Spacebar**.

The sequence is reset, and all available device icons appear at the bottom of the screen. For the meaning of the icons, see page 47.

**3** Move the cursor to the icon for the first device in the startup sequence; then press the **Spacebar**.

Repeat this step to set the other devices for the startup sequence. You can set up to four devices.

**4** Click on **OK** or press **Enter** to save the change.

**Note:**

You cannot set a hard disk drive before a *PCMCIA* in the startup sequence.

## *Using Easy-Setup*

### *Selecting the Network RPL Speed*

When you use a remote program load through a token-ring card or other network card, the RPL speed can be selected.

- 1** Start Easy-Setup and select the **Start up** icon.
- 2** Move the cursor to the **Network** icon; then press the **Spacebar**.

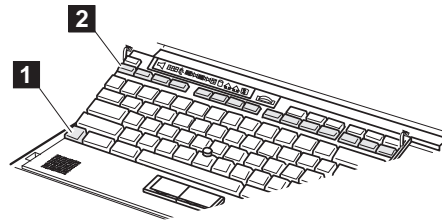
The window to select the token-ring RPL speed appears.

- 3** Move the cursor to the **4** icon or the **16** icon; then press the **Spacebar** and press **Enter**.

If you are using another card, such as an Ethernet card, press **Esc** to exit this window.

## Using the Fn Key

The **Fn** key function allows you to change operational features instantly. When you use the following functions, press and hold the **Fn** key **1**; then press the appropriate function key **2** (**F1** to **F12**; and **PgUp** or **PgDn**).



**Note:**









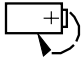






To use the Fn Key Lock **Fn** key function, select **Keyboard/Pointing Device** from the *Setup* menu in the ThinkPad Features program window, or type **PS2 FNS E** at the command prompt.

**Hints and Tips**

*Using the Fn Key Lock Fn Key Function:* You only need to press **Fn** once to get the same effect as when you press and hold the **Fn** key. After you press a function key in the top row, **Fn** returns to its normal state.

Key Combination	Feature	Meaning
+	Reserved	—
+	Fuel-Gauge display on or off 	The Fuel-Gauge program must be activated before you can use this key combination. When this key combination is pressed: For OS/2 or Windows users: The window for the battery power status appears or disappears. Parameters for power status can be set. For DOS users: Power status information appears or disappears in the top-right corner of the screen.
+	Standby mode 	Places the computer in standby mode. For more information about this mode, see page 101.
+	Suspend mode 	Places the computer in suspend mode. For more information about this mode, see page 101.

## Using the Fn Key

Key Combination	Feature	Meaning
	Reserved	—
	Reserved	—
	LCD/external display switching 	Displays the computer output in the following order when an external display is attached. External Display      Both LCD
	Reserved	—
	Reserved	—
	Reserved	—
	Power mode switching 	When this key combination is pressed during battery-power operation, the power-management (power-saving) mode changes as follows. High      Auto Customize AC mode is used when the AC Adapter is attached. The Fuel-Gauge program displays the current power option. See page 92.
	Hibernation mode 	Places the computer in hibernation mode. See “Hibernation Mode” on page 105 for more information.
	Dock I speaker volume up 	Increases the speaker volume for Dock I attached to the computer.
	Dock I speaker volume down 	Decreases the speaker volume for Dock I attached to the computer.

## Using PC Cards


To insert a PC Card:

 Page 139.

PCMCIA standard:

 Page 249.

PC Card Director:

 Page 54.

Your computer has two slots that allow you to install 68-pin, 85.6mm × 54.0mm (credit-card-size) PC Cards. With a PC Card, you can send and receive faxes, communicate via a network, or store data.

The PCMCIA slots of the computer conform to the PCMCIA Standard Release 2.1 that is defined as the hardware layer of the PCMCIA standard. Your computer also comes with the following basic set of drivers:

- Socket Services Release 2.1
- Card Services Release 2.1
- PC Card Director

Card Services and Socket Services are the basic drivers required for all PC Cards. PC Card Director automatically identifies the type of PC Card that has been inserted in a slot and sets it up so that you can use the card immediately. It also provides you with an entry-level security feature to protect unauthorized access to a PCMCIA slot and installed PC Card.

The PCMCIA slots support *Type I*, *Type II*, and *Type III* PC Cards. Ask IBM or an IBM authorized dealer for more information about the different types of PC Cards.

For more information about PC Cards, see Appendix B.

### PC Card Limitations under Suspend Mode

Some PC Cards can be inserted or removed without turning off the computer (refer to the instructions that came with the PC Card), but you *cannot* remove or install PC Cards during suspend mode.

## Using PC Cards

### Using the PC Card Director Program

**Note:**

When installing an operating system, install the PCMCIA device driver with the PCMCIA Features Diskette to use PC Card Director.

To install the PCMCIA device driver:

 Chapter 7.

**Note:**

The PCMCIA.CRD file does not always list the latest PC Cards. If your PC Card is not listed, try using it with PC Card Director anyway.

Your computer comes with an advanced IBM program for PCMCIA called **PC Card Director** that makes using PC Cards with your computer easier by:

Turning on and setting up a PC Card when you insert it in a PCMCIA slot (Auto Configurator).

Showing what type of PC Card is in your computer.

Notifying you with a message, sound, and icons whenever a card is inserted or removed.

Allowing you to register an application program for a particular PC Card and starting the program automatically when the card is inserted.

Some PC Cards come with their own device driver that will set them up just like PC Card Director does. However, if these cards are supported by PC Card Director, you will not need their device drivers. The PC Cards that PC Card Director supports are listed in the **PCMCIA.CRD** file on the Utility Diskette.

If your PC Card is not supported by PC Card Director, you must install the driver that came with your card. The card driver must be compatible with the PCMCIA Card Services Standard Release 2.1. Follow the instructions in your PC Card manual to install the driver.

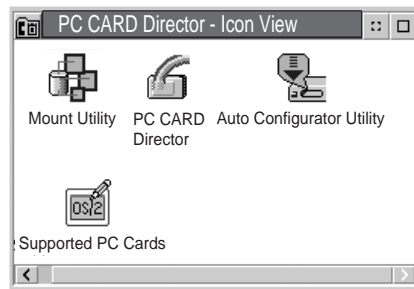


## Starting PC Card Director for OS/2 or Windows

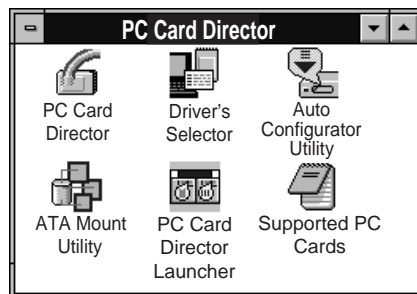
Starting PC Card Director for OS/2 and Windows is similar, but you will see different screens.

To start PC Card Director, double-click on the **PC Card Director** icon in the PC Card Director window according to your operating system:

For OS/2:



For Windows:

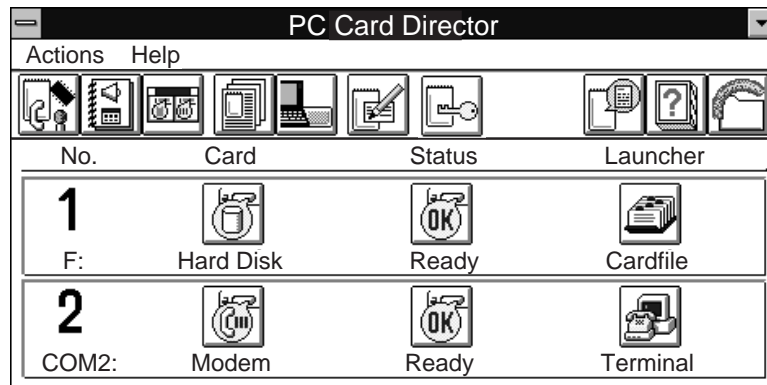


## Using PC Cards

### Note:

This screen might look different depending on your operating system.

The following screen appears:

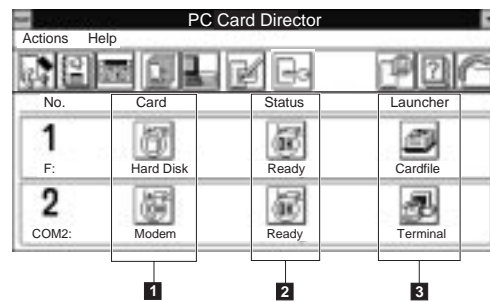


The name of a PC Card installed in a PC Card slot, the PC Card status, and related applications are displayed.



### Details about the Displayed Information

The PC Card Director window contains the following features:

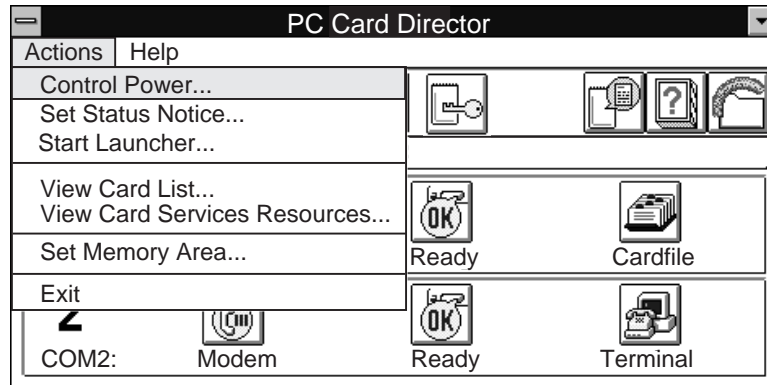


- 1 **The Card button** You can register a name, select an icon or application to run, or set the sound for a PC Card installed in a PC Card slot.
- 2 **The Status button** You can view the status of the installed PC Card or read product information about other PC Cards.
- 3 **The Launcher button** You can start the application on the PC Card by pressing this button.

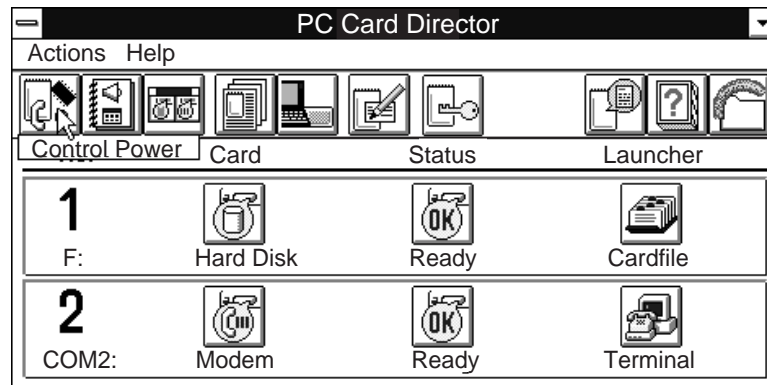


## Using PC Cards

You can select other features from the pull-down menu, as shown.



You can also select the same features by pressing the buttons on the tools bar. To view a description of each button on the tools bar, press the right mouse button.



## Using PC Cards

These are the descriptions of each feature you can choose from the pull-down menu or tools-bar buttons.

To control power:

 Page 59.

### **Control Power**

You can turn the power on for a PC Card installed in a PC Card slot, or you can turn it off, without removing the PC Card from the slot.

### **Set Status Notice**

You can choose how you are to be notified when a PC Card is removed from or installed in a PC Card slot.

#### **Note:**

This option is only for OS/2.

### **Open PC Card Director Folder**

Opens the PC Card Director folder.

#### **Note:**

This option is only for Windows.

### **Start Launcher**

Runs the PC Card Director Launcher.

To start launcher:

 Page 60.

### **View Card List**

Displays a list of the PC Cards registered in PC Card Director.

To view card list:

 Page 62.

### **View Card Services Resources**

Displays the resource information controlled by Card Services (for example, the IRQ level or memory) or the release version notice for Card Services.

#### **Note:**

This option is only for Windows.

### **Set Memory Area...**

Sets the memory area for Card Services, PC Card, or Upper Memory Block (UMB).


To set memory area:

 Page 63.

### **Supported PC Card Information**

Displays the list of the PC Cards that are ready to be used by PC Card Director.

**Note:**  
This option is only for OS/2.

To change view:  
 Page 64.

**Change View**

Switches between displaying the PC Card information and displaying it in icons.

**Security**

Sets the security feature to on or off. You can also set the security options and password, which control access to the PCMCIA slot and installed PC Card.

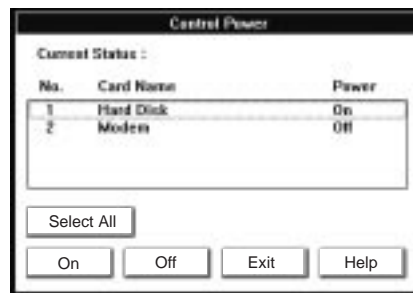


**Setting the Power for a PC Card**

You can turn the power on or off for a PC Card installed in a PC Card slot, without removing the PC Card from its slot. Controlling the power for the PC Card helps conserve battery power.

Select **Control Power...** from the Actions pull-down menu, or click on the left-most icon in the tools bar. The Control Power window appears:

**Note:**  
“No. 1” is the upper PC Card slot, and “No. 2” is the lower PC Card slot.



*To turn off the power to a PC Card:*

1. Open the **Control Power** window.
2. Select the PC Card for which you want to turn power off.
3. Click on the **Off** button.

*To turn on the power to a PC Card:*

1. Open the **Control Power** window.
2. Select the PC Card for which you want to turn power on.
3. Click on the **On** button.

**Note:**  
Finish and close the application program that the PC Card is using before turning off the power to that PC Card.

## Using PC Cards



### Starting the PC Card Director Launcher

A launcher is installed with PC Card Director for Windows. By launching (registering) an application often used by the PC Card, you can run the application with a click of a button.

#### Note:

OS/2 Warp Version 3 includes a LaunchPad. Refer to the manuals supplied with the operating system.

To register an application to run automatically:

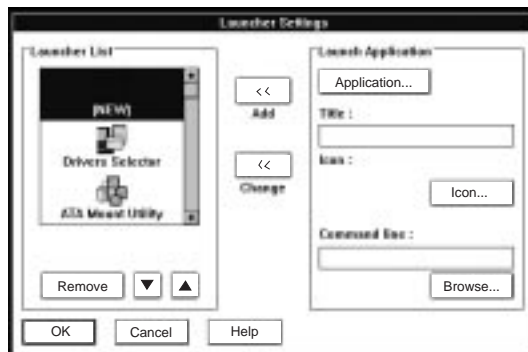
#### 1 Start PC Card Director Launcher.

Select **Start Launcher...** from the Actions pull-down menu, click on the tools button, or click on the **PC Card Director Launcher** icon.

#### 2 Select the **Launcher Settings** button (the right-most button) in the PC Card Director Launcher window.



#### 3 Select **New** from the Launcher List of the Launcher Settings window.

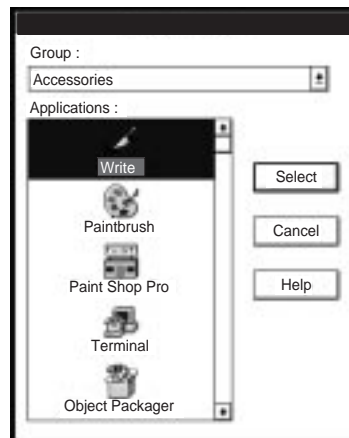


## Using PC Cards

- 4 Click on the **Application...** button in the Launch Application box.

You can also fill in the information for Title, Icon, and Command Line.

- 5 Select an application in the Select Application window; then click on **Select**.



- 6 Click on the Add (>>) button.

The application is added to the Launcher list.

- 7 Click on the **OK** button.

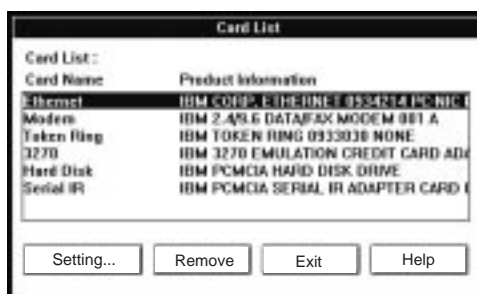
You have registered the application. Refer to the Help menu for more information.

## Using PC Cards



### Displaying a List of Registered PC Cards

To view a PC Card name and its product information once it is registered, select **View Card List...** from the Actions pull-down menu of the PC Card Director window, or click on the tools button.



**Setting...** Displays the following information about a PC Card:

- Name of the PC Card
- Product information
- Icon of the PC Card type
- Applications registered to run automatically
- WAV files registered to play automatically

**Remove** Deletes the selected PC Card from PC Card Director.



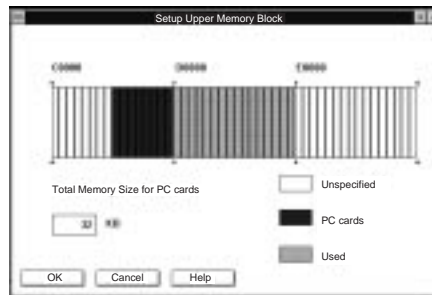
### Setting the Memory Area for Windows

If you are using Windows, you can set the memory area used by the PC Card and Card Services.

The PC Card and Card Services use a memory area called the *UMB* (*upper memory block*). The UMB is used by various devices or programs, and as a result, memory area conflicts often occur. With PC Card Director, you can avoid these conflicts by easily setting the UMB for the PC Card and Card Services.

To set the memory area used for the PC Card and Card Services, do the following:

- 1** Select **Set Memory Area...** from the Actions pull-down menu of the PC Card Director window or click on the tools button for it.



- 2** Plan carefully which memory area to use for the PC Card and Card Services from the displayed information.
- 3** Using the mouse, click on the desired memory area for the PC Card and Card Services.
- 4** Click on the **OK** button.
- 5** Restart the system.

## Using PC Cards



### Changing the PC Card Director View

You can display the information in PC Card Director in detail or using icons. The following is an example of what you see when PC Card Director is displayed in icons:



*If you are using OS/2:*

To display information in icons, click on the **Change View** button from the tools bar, or select **Change View** from the Actions pull-down menu.

To display information in detail, click on the minimized PC Card Director icon with the right-mouse button; then select **Change View**.

To set the options for the displayed information when PC Card Director is displayed in an icon, click on the minimized PC Card Director icon with the right-mouse button; then select **Display Change in Status**.

*If you are using Windows:*

To display information using icons, click on the minimize button ( ) in the upper-right corner of the window.

To display information in detail, click on the maximize button ( ).





### ATA Card Mount Utility

PCMCIA AT Attachment (ATA) cards can have a number of partitions. The ATA Card Mount Utility assigns or removes a drive letter to these partitions.

**Note:**

For the ATA Card Mount Utility for DOS, see page 67.

The main panel displays the information about the logical drives (partitions) that are ready to be mounted or dismounted. This is an example of a Windows ATA Card Mount Utility screen:

For more information:

Page 249.



Select the logical drive with the arrow keys (↑ or ↓) or with the mouse; then mount or dismount it by clicking on the **MOUNT** or **DISMOUNT** button, or by selecting the choices from the pull-down menu.

**MOUNT**      Assigns a drive letter to the selected logical drive. Select a drive letter in the dialog box. Then the drive letter is mounted to the logical drive.

**DISMOUNT**      Releases the drive letter from the selected logical drive.

The Option pull-down menu contains the following:

**Refresh**      Refreshes the list. Use this choice when you have inserted or removed a PCMCIA ATA card in the PC Card slot.

**Exit/Quit**      Ends the program.

## Using PC Cards



### Note:

Refer to the PCMCIA.CRD file for a list of PC Cards that Auto Configurator can enable.

### *The Auto Configurator Utility*

The Auto Configurator has prepared a script file for configuring each PC Card. These script files contain steps for enabling the PC Card and the resource information for its I/O interrupt level or memory.

The Auto Configurator Utility is a utility that edits these script files, transforms them into binary data, and records them in Auto Configurator. Then Auto Configurator enables each PC Card, based on the data in the card's script file.

For more information on how to use the Auto Configurator, see Appendix B.



## Starting PC Card Director for DOS

To start PC Card Director for DOS:

- 1 Go to the DOS command prompt.

C:\>

- 2 Type `C:\>C:\THINKPAD\EZPLAY` at the command prompt; then press **Enter**.

**Note:**

C:\THINKPAD is the directory where PC Card Director is installed. If you have installed it in a different directory, type that directory name instead.

The following screen appears:

**Note:**

Some PC Cards might not display any information in PC Card Director.

```

                PC Card Director
              (C) Copyright IBM Corp. 1993,1995, Version 3.

Card Services DOS Card Services Driver, Version 2.1  PCMCIA Card Services

          Release  2.1          Revision  2.1

Slot Information

No.      Status  Card Type  Card Information
-> 1     Ready   Memory    F: IBM 1MB SRAM 933152 933151

Enter    F1=Help   F3=End    F9=Resources  F1 =Client
    
```

### ATA Card Mount Utility

For more information:



PCMCIA ATA cards can have a number of partitions. The ATA Card Mount utility assigns (mounts) or removes (dismounts) a drive letter to these partitions.

C:\THINKPAD is the directory where PC Card Director is installed. If you have installed it in a different directory, type that directory name instead.


## Communicating with the Infrared Port

# Using the Infrared Communication Feature

**Note:**

When installing an operating system, you must install the infrared device driver to use ThinkPad mode.

To install the infrared device driver:

 For OS/2: page 188, and for Windows: page 207.

**Note:**

*Mbps*: Mega bits per second

Your computer is equipped with an infrared (IR) communication feature that allows point-to-point communication with other ThinkPad computers or systems equipped with an infrared port. The computer has two infrared ports, one in the front of the computer below the hard disk drive compartment and another on the rear of the computer.

The infrared feature supports three modes with the following communication speed in bits per second (bps):

ThinkPad mode (IrDA High Speed extension) (1.15 Mbps)

This mode is used when communicating with another 755 or 760 series IBM ThinkPad computer with an infrared port or other systems supporting ThinkPad mode.

Generic (IrDA 1.0) (up to 115 000 bps)

This mode is used when communicating with other IBM ThinkPad computers, Hewlett-Packard\*\* 100LX\*\*, 200LX\*\*, Omnibook\*\*, or other systems with infrared ports supporting Generic mode.

Sharp (ASK) (9600 bps)

This mode is used when communicating with the Sharp\*\* Wizard\*\* or other systems with infrared ports supporting Sharp mode.

The ThinkPad Features program contains a utility program that enables the front or rear infrared port and sets the communication speed.

*If you are using OS/2 or Windows, see page 38.*

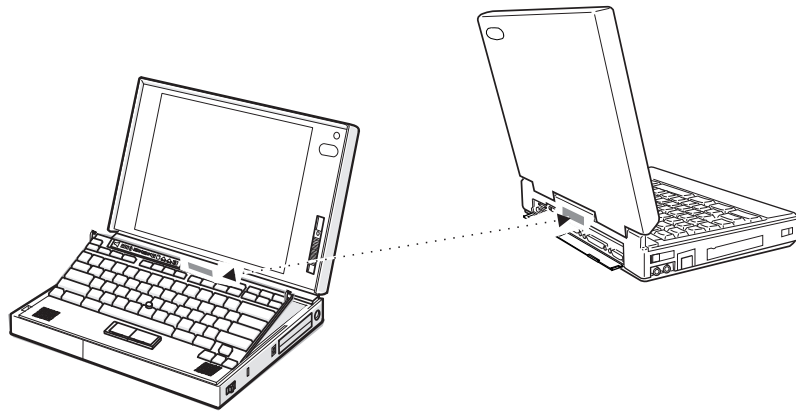
*If you are using DOS, type PS2 ? IR at the command prompt; then press **Enter** for more information.*

**PS2** command:

 Page 42.

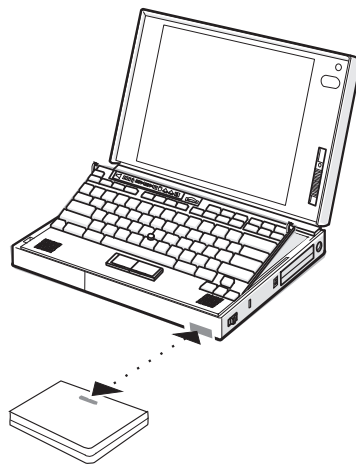
### ***Communicating with the Infrared Port***

During communication with rear infrared ports, the infrared ports must face each other directly at a communicating distance.



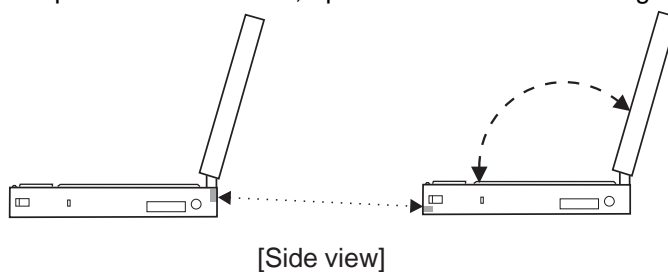
It is recommended that you use the rear infrared port for communicating between ThinkPad computers.

When communicating between a front infrared port and an infrared port on another computer, the infrared ports on the computers must face each other directly at a communicating distance.



## Communicating with the Infrared Port

Communication can be affected by the light from the LCD on the computer. To avoid this, open the LCD to a wide angle:



## Considerations for Communication

Consider the following points when communicating with the infrared ports:

You need to run the same communication application on both computers to communicate between your computer and another computer device. Refer to the application manuals for more information.

Run only one communication application at a time that uses the infrared ports.

When using applications that use a conventional serial port and serial cable to exchange data, your computer infrared ports are used as a replacement for the serial port and cable. In this case, ThinkPad mode cannot be used.

The communicating distance might need to be less if:

- The other system is not the same model as your computer.
- There is interference from ambient light. It is recommended that you do not use infrared communication in bright sunshine or artificial light conditions.
- The infrared port is not directly facing the other communicating port.

Headphones may interfere with infrared communications. You might hear noise through the headphones, or the computer might not be able to communicate with other devices through the infrared port.

## Using the Mwave DSP Features

**Note:**

In some countries, the Mwave telephony functions are only available with the DAA/Telephony Kit option installed.

The computer provides the *Media Processor (Mwave DSP)* feature, which is based on the *digital signal processor (DSP)*. It gives you high performance for audio and telephony functions, and it supports a more natural way of communicating with your computer.

**Note:**

For more information on MIDI, see "Mwave MIDI Overview" on page 268.

The Mwave DSP system supports a full complement of audio and telephony functions, including the following:

Audio

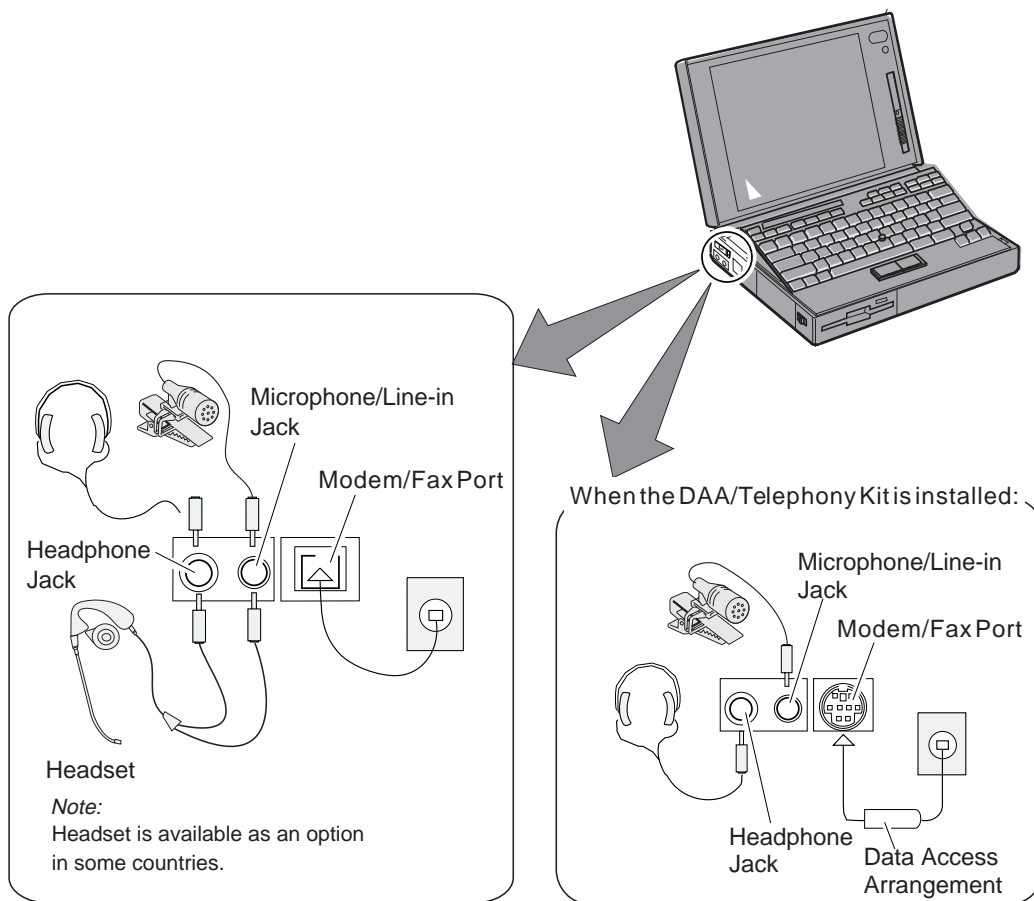
- Supports wave audio recording and playback of up to 16 bits, stereo, and 44 kHz sampling
- Provides a high-quality MIDI wave table synthesizer with 128 instruments and up to 32 voices
- Supports DOS games using the Sound Blaster\*\* interface

Telephony

- Supports data modems at up to 14 400 bps
- Supports fax modems at up to 14 400 bps
- Supports the speaker phone function
- Supports the telephone answering machine function

## Using Mwave DSP Audio Features

This illustration shows the connections between the computer and external cables or devices:





## *Using Mwave DSP Audio Features*

**Note:**

When installing an operating system, you must install the Mwave DSP support software to use the Mwave DSP features.

To install the Mwave DSP support software:

 Chapter 7.

The Mwave DSP feature supports the following functions for each operating system:

For OS/2:

- Wave audio recording and playback
- MIDI synthesizer
- Sound Blaster support in the DOS session
- Data modem
- Class II Fax
- MPEG Audio

For DOS:

- Sound Blaster support
- Data modem

For Windows:

- Wave audio recording and playback
- MIDI synthesizer
- Sound Blaster support in the DOS session
- Data modem
- Fax modem
- Speaker phone
- Telephone answering machine
- MPEG Audio

## Using the Audio Function

Use the Mwave audio functions according to your operating system.



### *Using the Function for OS/2*

The Mwave feature supports audio in the OS/2 environment through Multimedia Presentation Manager/2 (MMPM/2). To use the Mwave audio functions with OS/2, refer to the MMPM/2 manuals.

**Note:**

Do not enter suspend mode when using the audio functions.

#### **For Your Information**

When you play audio files in the MMPM/2 environment, refer to the following:

When you play the wave audio files, select the **DIGITAL AUDIO** icon in the Multimedia folder.

When you play the MIDI sequencer files, select the **MIDI** icon in the Multimedia folder.



### *Using the Function for DOS*

The Mwave feature supports audio for DOS games through *Sound Blaster* support.

To enable Sound Blaster support for DOS games:

- 1** Type `FASTCFG` at the command prompt; then press **Enter**.  
The FASTCFG utility opens.
- 2** Select **Games**; then select **OK**.

## Using Mwave DSP Audio Features

### Creating a Boot Diskette

If you do not have enough memory for your games, you should make a *boot diskette* before starting the DOS games. To make a boot diskette, do the following:

- 1** Turn on the computer and start DOS.
- 2** Insert a blank diskette into the diskette drive.
- 3** Type `MAKEBOOT` at the DOS prompt; then press **Enter**.

A boot diskette is created. Before starting your games, restart the computer with this boot diskette inserted in the diskette drive.

Some sample files, such as the `CONFIG.SYS` file, are created on the boot diskette. You might need to modify these files by referring to the manuals that came with your games.

### Default Values for DOS Games Audio

Most games automatically determine the I/O address, interrupt level (IRQ), and DMA channel settings for the audio for DOS games. If the game asks for this information, specify the default settings for Sound Blaster as follows:

<b>I/O Address</b>	220
<b>IRQ</b>	5
<b>DMA Channel</b>	1

If you need to change these settings:

Use the `PS2 AUDIO` command to set the features for the audio (see Appendix D, "Using PS2 Commands" on page 273 for more details.)

Select **DSP** from the ThinkPad Setup window and set features for the audio.

## Using Mwave DSP Audio Features




### Using the Function for Windows or WIN-OS/2

To use Mwave audio in Windows or WIN-OS/2, double-click on the **Mwave ThinkPad** icon in the Windows Program Manager.

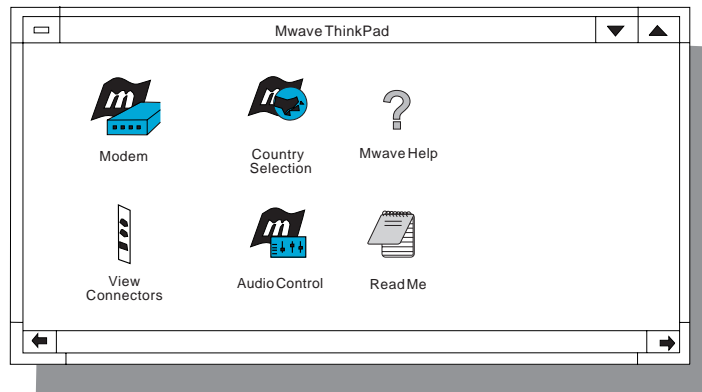
#### Note:

To use the Mwave audio features in WIN-OS/2, install the Mwave DSP support software for Windows in the full screen WIN-OS/2 session.

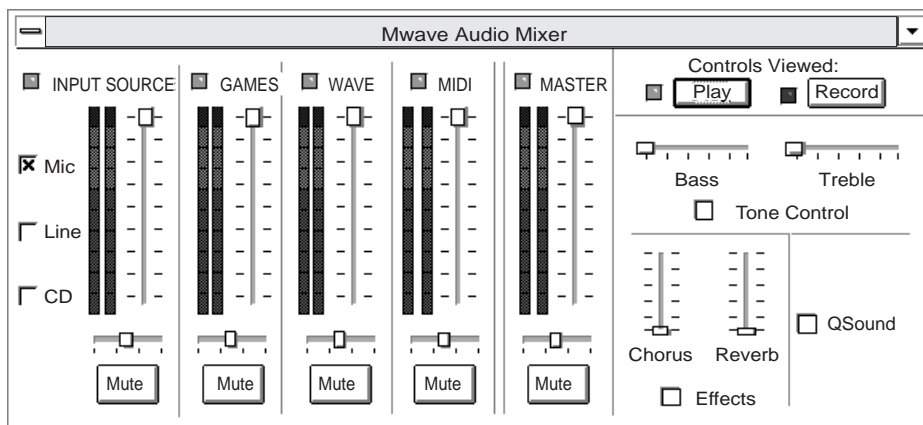
To install the Mwave DSP support software:

 Chapter 7.

A window similar to the following appears:



**Audio Control** When you double-click on the **Audio Control** icon, the following window appears:



## Using Mwave DSP Audio Features

This window allows you to control the audio volume:

### Record

Enables you to select which source you want to use, to adjust the record level, or to monitor the input signal.

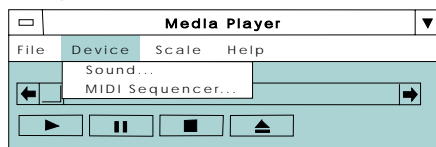
### Output

Allows you to adjust the balance and sound levels and to control the mute option. It can be considered a stereo amplifier with three input signals, controls to mix the input signals, and a volume control for the output.

### Playing the MIDI Sequencer Files

To play the MIDI sequencer files in Windows, use the Windows Media Player:

- 1** Start Windows; then open the **Accessories** group.
- 2** Double-click on the **Media Player** icon.
- 3** When the Media Player window appears, select **Device** on the menu bar; then select **MIDI Sequencer...** from the pull-down menu.



- 4** Highlight your favorite MIDI file with your pointing device; then click on **OK**.
- 5** To begin playing the MIDI file, click on the **Play** (▶) button.

## Using Mwave DSP Telephony Features

### Using the Telephony Function

#### Note:

In some countries, the Mwave telephony functions are only available with the DAA/Telephony Kit option installed. To install a DAA/Telephony Kit on the computer, see "Installing the DAA/Telephony Kit" on page 163 and the documentation that came with the option.

The computer is equipped with a modem/fax port on its side that connects a telephone cable. This section describes how to connect the cable to the computer, and describes the various telephony features that can be used for communication.

#### CAUTION:

**You computer can only use a public-switched telephone network (PSTN). Do not use a PBX (private branch exchange) or other digital phone lines. Use of phone lines other than PSTN can damage your modem. If you are not sure which kind of phone line you are using, contact your telephone company.**

#### Connecting the Telephone Cable

To use the telephony functions, you need to connect a telephone line to your computer.



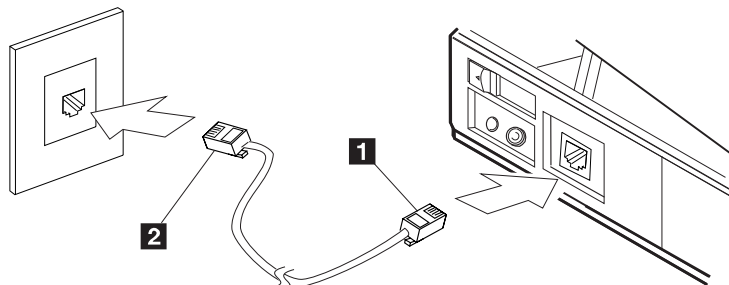
**To avoid shock hazard, do not connect the cable to or disconnect the cable from the telephone outlet on the wall during electrical storms.**

#### Note:

If you use both the computer and a telephone with one telephone cable, use the telephone cable supplied with your computer.

When you use the DAA/Telephony Kit (available as an option), see page 165.

When your computer has a modem/fax port with a square receptacle, connect the ferrite-core end (connector 1) of the telephone cable to the modem/fax port; then connect the other end (2) to the telephone outlet on the wall.



## Using Mwave DSP Telephony Features

### Important

Make sure you use the correct telephone line so your modem operates correctly. When you are:

*At home:* Use an *analog* line; a standard household telephone.

*In your office:* Use a line connected to a fax machine or another modem.

*In a hotel:* Request a room with a data or normal telephone line.

Your RJ11 jack must be wired for an analog line. If you are not sure what type of line you are connecting, check with the telephone company.

DOS

### Using for the Modem DOS

To start the Mwave modem for DOS, do the following:

- 1** Type `FASTCFG` at the DOS prompt; then press **Enter**.  
The FASTCFG utility opens.
- 2** Select **Advanced Modem**; then select **OK**.

## Using Mwave DSP Telephony Features



### *Mwave Data Modem*

The Mwave telephony features support direct attachment to a public-switched telephone network (PSTN). The Mwave data modem supports the standard communication port interface and can be used with the communications programs that use the Hayes\*\* AT command set.

The Mwave data modem provides the following features:

- Standard asynchronous communications port interface (NS16550A UART compatible) operation

- Bell\*\*-103/212A, ITU-T V.32bis protocols with data from 50 to 2400 bps

- ITU-T V.32bis protocols with data rates of 4800, 9600 uncoded, and 9600 bps Trellis coded (optional)

- ITU-T V.32bis protocols with data rates of 4800, 7200, 9600, 12 000, and 14 400 bps (optional)

- Hayes AT command set compatibility

- Call progress monitoring

- Automatic dialing

- Dual-tone modulation frequency (DTMF) and pulse dialing

- Asynchronous error recovery protocol

- Error correction via Microcom Network Protocol (MNP\*\*) classes 1–4

- MNP class 5 for up to 2x data compression

- Functional upgrades via software

- ITU-T V.42bis error correction



## Using Mwave DSP Telephony Features



### Using Country Selection

#### Important

Each country has restrictions on communications that use telephone lines. Use this window whenever you travel to other countries.

#### Note:

In some countries, the Mwave modem functions are only available with the DAA/Telephony Kit option is installed.

The Country Selection window allows you to change the country name currently supported by the Mwave telephony features. When you travel to other countries and use the Mwave telephony function, you need to select the country name from the list of countries in this window.

### Mwave Fax Modem

The Mwave telephony features offer you the following fax functions:

- Call progress monitoring

- Automatic dialing

- Support for a Windows MCI\*\* FAX application interface

- Use of direct memory access (DMA) instead of a communications port to increase performance

- DTMF and pulse dialing

- G3 transfers

- T.4/T.30 operations

- V.27ter — 2400/4800 bps send/receive

- V.29 — 7200/9600 bps send/receive

- V.17 — 14400/14400 bps send/receive

## ***Using Mwave DSP Telephony Features***

### *Mwave Telephone Answering Machine*

**Note:**

When you use the telephone answering machine function, refer to the manual that came with the application program package.

The Mwave telephony features allow you to use the computer as a telephone answering machine by:

- Recording greetings and messages through the microphone
- Playing back greetings and messages through the speaker or headphones
- Playing back greetings and messages to a remote telephone
- Recording messages from a remote telephone
- Providing a full-duplex speaker phone capability using the microphone and speaker
- Supporting both tone (DTMF) and pulse dialing
- Using voice compression to minimize disk space for stored greetings and messages
- Using a Windows MCI Telephony application program interface
- Using a high-performance DMA interface
- Speeding up or slowing down played messages without affecting their pitch (TDHS)
- Detecting DTMF digits received from phone line

## Chapter 4. Using Battery Power

---

This chapter describes battery pack operations.

Charging the Battery Pack . . . . .	84
Charging with the AC Adapter . . . . .	84
Charging with the Quick Charger . . . . .	85
Replacing the Battery Pack . . . . .	86
Monitoring the Battery Status . . . . .	88
Using the Battery Status Indicator . . . . .	88
Battery Status Indicator . . . . .	88
Low-Battery Condition . . . . .	90
Remaining Battery Indicator . . . . .	90
Using the Fuel-Gauge Program . . . . .	92
Discharging the Battery Pack for OS/2 and Windows . . . . .	95
Preserving Battery-Pack Life . . . . .	96
Maximizing Battery-Powered Operation . . . . .	96
Using Advanced Power Management . . . . .	97
Decreasing LCD Brightness . . . . .	99
Using the Battery Power-Management Function . . . . .	99
Standby Mode . . . . .	101
Suspend Modes . . . . .	101
Considerations for Suspend Mode . . . . .	103
Hibernation Mode . . . . .	105
Creating the Hibernation File . . . . .	105
Considerations for Hibernation Mode . . . . .	107

## Battery-Powered Operation


# Charging the Battery Pack

**Note:**

When you charge the lithium ion battery pack, the battery pack temperature must be at least 10°C (50°F).

You can charge the battery pack when the AC Adapter is connected to the computer and the battery pack is installed. You must charge the battery pack in any of the following conditions:

When a new battery pack is purchased.

When the battery status indicator starts blinking (  ).

### Hints and Tips


You can use an optional battery pack and install it in the UltraBay and have two battery packs for long battery-powered operation.

When you have two battery packs installed in the computer and start charging, charging starts on the battery pack in the battery pack bay. When it is fully charged, charging starts on the battery pack installed in the UltraBay.

## Charging with the AC Adapter

**Note:**

When carrying your computer without the AC Adapter, carry with you a fully charged battery pack for maximum operating hours. You can also have an optional battery pack and use two battery packs for operation.

When the AC Adapter is connected and the power remaining in the installed battery pack is less than a certain amount, discharging and then charging of the battery pack starts automatically. The discharge LCD indicator appears .

The following table shows the approximate charging times for the battery pack.

Conditions	Charging Time
Operational Charging	1.7 hours
Power-off Charging	1.5 hours
Suspend-mode Charging	1.5 hours



If the battery pack is new or has not been used for a long period of time, it will not be fully charged with only a single charging. You will have to discharge and recharge it three to six times to maximize battery operating time.

## Battery-Powered Operation

The following describes how to recharge the battery pack with the AC Adapter when the computer is turned off:

- 1** Make sure the computer is turned off, and a new or discharged battery pack is installed in the computer.
- 2** Connect the AC Adapter to the computer.



The system status indicators show the following:

Indicator	Meaning
	The battery pack is being charged. The charge indicator (  ) turns off when the battery is fully charged.

## Charging with the Quick Charger

The Quick Charger is available to charge the battery packs. For the charging procedure, refer to the instructions supplied with the Quick Charger.

The LCD indicator panel shows the following when using the Quick Charger with the computer power on or off:

When power is on	When power is off
	
—	77%

## Replacing the Battery Pack

# Replacing the Battery Pack

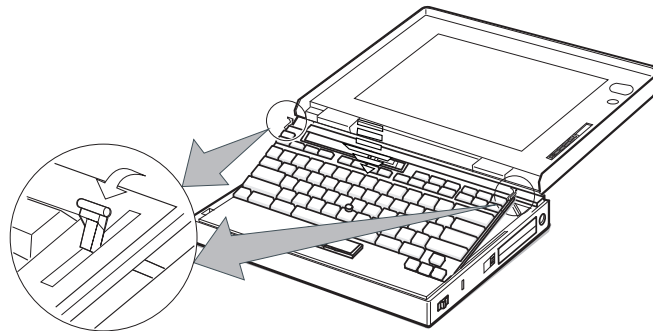
A spare battery pack is available as an option. Replace the current battery pack when it is low in power.

The battery pack can be replaced with computer power on or off. To replace the battery pack without turning off the computer, follow these instructions.

### Important

If you are using PC Cards, either connect the AC Adapter or stop the PC Card application and remove the PC Card before doing the following.

- 1** Open the LCD so it lies flat; then slide the keyboard raiser on the side of the computer toward you so the keyboard lies flat on the computer.

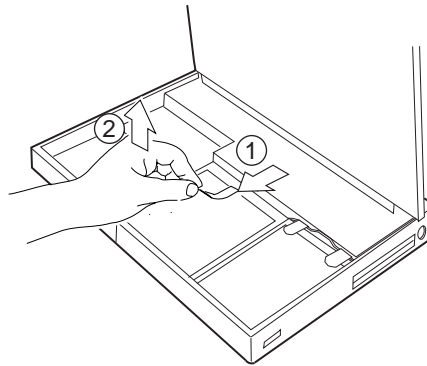


- 2** Open the keyboard.

The computer automatically enters suspend mode. Wait for the beep, which indicates that the computer has completely entered suspend mode.

## *Replacing the Battery Pack*

- 3** Pull the battery pack toward the front of the computer; then quickly remove the battery pack and replace it with a fully charged spare.



- 4** Close the keyboard. The computer resumes normal operation.

If the computer does not resume normal operation, press the **Fn** key.

## Using the Battery Status Indicator

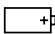
# Monitoring the Battery Status





Battery power conditions can be determined through the battery status indicator and the Fuel-Gauge program.

## Using the Battery Status Indicator

The main battery status indicator shows the current status of the battery pack (only when the battery is installed).

### *Battery Status Indicator*

Observe the main battery status indicator  and compare it with the status list below to determine the battery condition.

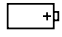


Indicator	Remaining Power (Percentage)	Status/Action Required
	100%–75%	The battery pack is fully charged.
	75%–50%	Enough power remains for computer operation.
	50%–25%	
	Less than 25 %	



## Using the Battery Status Indicator

### Note:

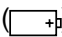
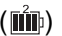
When the AC Adapter is connected and the power remaining in the installed battery pack is less than a certain amount, discharging and then charging of the battery pack starts automatically.

Indicator	Remaining Power (Percentage)	Status/Action Required
 (Blinking)	Approximately 10 minutes remains for operation.	The battery pack is almost discharged and is about to enter the low-battery condition (see page 90).  You will hear three beeps when this indicator turns on. Take either of the following actions immediately:  Connect the AC Adapter to the computer; leave the battery pack installed.  Replace the battery pack with a fully charged spare (see “Replacing the Battery Pack” on page 86).
	Percentage of charging completed. (Up to 100%)	(Only appears when the AC Adapter is connected.) The battery pack is being charged. See page 85 for more information.
	Percentage of discharging completed. (Down to 0%)	The battery pack is being discharged (or is being used). See page 95 for more information.
Off (Not displayed)	—	The battery pack is not installed. The computer is turned off.

### When using a secondary battery pack...

When you are using a secondary battery pack (available as an option) in the UltraBay, the battery status indicator appears for *both* battery packs installed in the computer.



The main battery-status indicator () is for the battery pack installed in the battery-pack bay, and the secondary battery-status indicator () is for the secondary battery pack installed in the UltraBay.

## Using the Battery Status Indicator

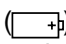
### Low-Battery Condition

#### Warning:

**Do not leave the computer in this condition for an extended period of time. Data in memory will be lost.**

For necessary actions:

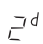
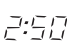
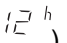
 Page 89.

When the battery pack is low in power, the remaining battery indicators start to blink. Ten seconds after the indicators start to blink, the computer sounds three consecutive beeps and the last rectangle in the battery status indicator starts to blink (  ). The battery pack needs to be charged immediately. If corrective actions are not taken within 10 minutes, the computer will enter suspend mode.

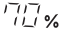

### Remaining Battery Indicator

The remaining battery indicator shows the remaining battery status in digits. This includes the overall power remaining for the battery pack in the battery-pack bay (and the battery pack in the UltraBay, if installed).

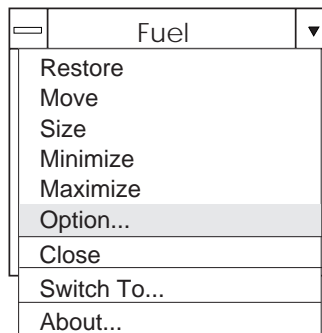
Refer to the following table to determine the remaining battery power:

Indicator	Meaning
	The remaining power is displayed in days. In this example, battery power remaining is 2 days.
	The remaining power is displayed in hours and minutes. When the remaining power is more than 10 hours, an "h" suffix appears besides the number (for example,  ). In this example, battery power remaining is 2 hours and 50 minutes.

### Using the Battery Status Indicator

Indicator	Meaning
	<p>The remaining power is displayed in percentage. When the charge symbol (  ) appears next to a battery status indicator, it shows what percentage is complete. In this example, battery pack charging (indicated with the charge symbol), is 70% complete, or 70% of battery power remains.</p> <p>When using a secondary battery, the percentage indicates the total remaining power for both battery packs, up to 100%.</p>

To change how to display the remaining power between the hours and percent, select **Option...** from the pull-down menu of the Fuel-Gauge program; then click on your choice to display the remaining power.



**Using the Fuel-Gauge Program**



**Using the Fuel-Gauge Program**

**Note:**  
When you install an operating system, you must also install the ThinkPad Features program with the Utility Diskette before the Fuel-Gauge program can be used.

The Fuel-Gauge program displays the following battery-pack conditions on the screen:

- Power mode
- Battery status
- Suspend or hibernation options
- Discharge option

To install the ThinkPad Features program:

Chapter 7.

The Fuel-Gauge program is available in OS/2 or Windows. When you click on the Fuel-Gauge icon in the ThinkPad Features window, the Fuel-Gauge program appears. When you minimize the program to an icon, every time you press the **Fn+F2** key combination, the Fuel-Gauge icon appears or disappears alternately from the screen.

**Note:**  
Repeatedly charging a battery pack that has not been completely discharged shortens the battery operating time. To preserve battery operating time, discharge the battery pack completely, then recharge it.

Refer to the following descriptions and illustrations, which depend on the power source, of the Fuel-Gauge program.

Maximized Fuel-Gauge program:

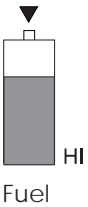
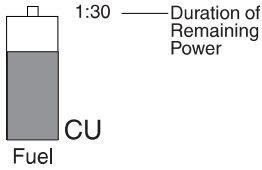
- The "Duration of Remaining Power" does not appear when the AC Adapter is connected.

AC Adapter Connected	Battery Operation

## Using the Fuel-Gauge Program

Minimized (to an icon) Fuel-Gauge program:

- The power source (AC Adapter or battery) and power mode alternately appear:
  - **Power source**
    - AC** AC Adapter
    - BT** Battery
  - **Power mode**
    - HI** High Performance
    - AU** Automatic
    - CU** Customized

AC Adapter connected	Battery operation
 <p>Fuel HI</p>	 <p>1:30 — Duration of Remaining Power Fuel CU</p>

## Using the Fuel-Gauge Program

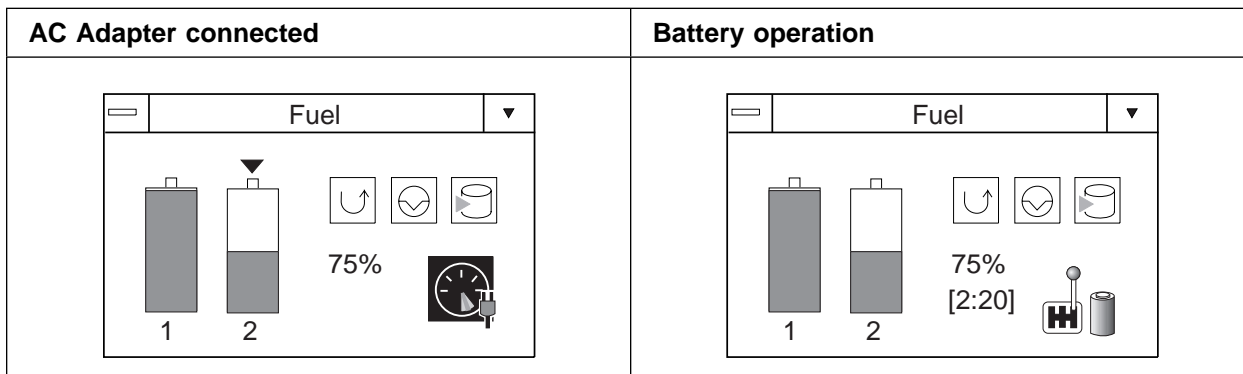
When you have a secondary battery pack in the UltraBay, the following figure is displayed for the Fuel-Gauge program.

Maximized Fuel-Gauge program:

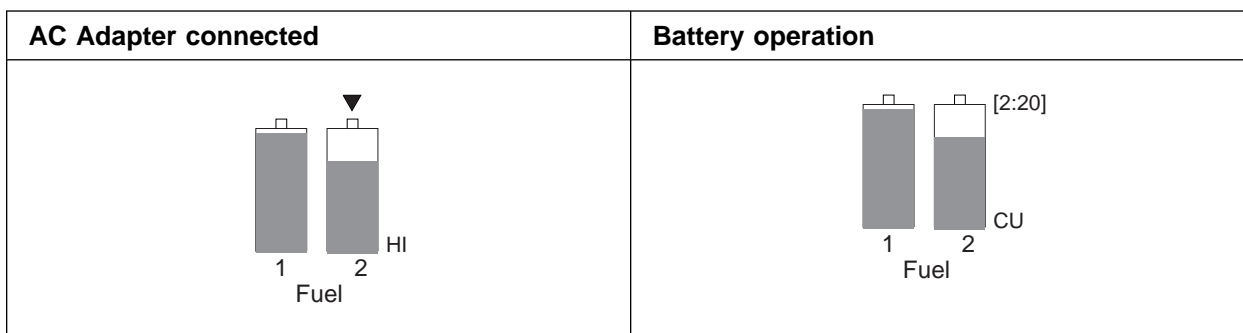
- When you double-click on the power remaining percentage, the percentage for the main battery pack (displayed with a “1” in front), secondary battery pack (displayed with a “2” in front), and the average of the two battery packs alternately appear.

For example:

1 35%      2 49%      42%




Minimized (to an icon) Fuel-Gauge program:

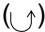



## Using the Fuel-Gauge Program

### Discharging the Battery Pack for OS/2 and Windows

When the battery pack needs to be discharged, the computer prompts you with a message. To discharge the battery, connect the AC Adapter to the computer and click on the discharge button () on the Fuel-Gauge program.

When the power remaining for the installed battery pack is less than a certain amount, discharging and then charging of the battery pack starts automatically.

The discharge-in-progress () appears above the gauge symbol, and the charge button () appears in place of the Discharge button.

On the system indicator panel, the indicator showing that the battery pack is being discharged appears:



You can use the computer while the battery pack is discharging; however, do not enter suspend mode or turn off the computer until the discharge is complete.

When the battery pack is completely discharged, charging starts automatically.

To cancel discharging, click on the charge icon ()

## *Maximizing Battery-Powered Operation*

### **Preserving Battery-Pack Life**

To preserve the life of the battery pack:

**Warning:**

**Make sure the battery pack power is completely used before you recharge it. Recharging a battery pack that is not completely discharged can shorten battery life.**

Do not charge the battery pack until all of its power is used.

Once you have started charging the battery pack, do not use it until it is fully charged.

Discharge the battery pack occasionally by using the Fuel-Gauge program.

Turn off the computer whenever it is not in use.

### **Maximizing Battery-Powered Operation**

To save battery power:

Use Advanced Power Management (APM)

Decrease the LCD brightness

Use the Battery Power-Management function



## Using Advanced Power Management

**Note:**

If you have purchased the computer with a preinstalled operating system, APM is already installed correctly.

The computer has power-management functions built in. No special power-management drivers have to be installed before you use the computer. However, the computer is able to conserve more power when APM is used.

APM allows you to reduce power consumption when your applications and devices are idle. Each operating system comes with its own APM.



*If you are using OS/2*, APM is automatically installed when the installation program detects that the power-management function is installed on your computer.



*If you are using DOS*, APM is automatically installed when the installation program detects that the power-management function is installed on your computer. To verify that the computer has APM installed correctly, type **power** at the command prompt and press **Enter**. If a screen similar to the following appears, APM is successfully installed.

```
Power Management Status
-----
Setting = ADV: REG
CPU: idle 32% of time.

AC Line Status : OFFLINE

Battery status : High
```

If not, add the following line to your CONFIG.SYS file, using a text editor such as the DOS Editor.

```
DEVICE=C:\DOS\POWER.EXE
```

## Maximizing Battery-Powered Operation



If you are using Windows, follow these instructions to check and install APM for Windows:

1. Start the system. Make sure that the current directory is Windows (usually C:\WINDOWS>).
2. Type `SETUP` at the command prompt and press **Enter**. The following screen appears.

```
Windows Setup
=====

If your computer or network appears on the Hardware Compatibility List
with an asterisk next to it, press F1 before continuing.

System Information
Computer:      MS-DOS System
Display:      Cyber932 8 x6 256 small font
Mouse:        Microsoft, or IBM PS/2
```

### Note:

If “MS-DOS System with APM” appears for the item “Computer:”, APM is already installed. Press F3 to exit the setup.

3. Using the Arrow keys ( $\uparrow$ ,  $\downarrow$ ), position the highlighted cursor over **MS-DOS\*\* System** and press **Enter**.
4. Position the highlighted cursor over **MS-DOS System with APM** and press **Enter**.
5. Verify that the item “Computer” has changed to **MS-DOS System with APM** on the screen. If not, return to step 3.

```
Windows Setup
=====

If your computer or network appears on the Hardware Compatibility List
with an asterisk next to it, press F1 before continuing.

System Information
Computer:      MS-DOS System with APM
Display:      Cyber932 8 x6 256 small font
Mouse:        Microsoft, or IBM PS/2
```

6. Press **Enter** to install APM.
7. Restart the system to make APM effective.

## Decreasing LCD Brightness

Adjust the brightness control on the LCD to the lowest level possible that allows you to comfortably view the screen. This is an effective way of conserving battery power.

## Using the Battery Power-Management Function

**Note:**

When you install an operating system, you must install the ThinkPad Features program using the Utility Diskette.

To install the ThinkPad Features program:

 Chapter 7.

Your computer has the following built-in battery power-saving functions to save power when you use the battery pack or AC Adapter:

**Operation modes.** The operation modes control the processor speed or set timers for saving power. For more information about the operation modes, see 2 on page 40.

**Power-saving modes.** The power-saving modes stop all tasks when the computer is not used for a specified time.

When resuming normal operation from one of the modes, use the **resume function** to return to where you were when you entered that mode. Because the operating system is already loaded, the resume function is faster than turning the power on.

The following are the three power-saving modes:

**Standby Mode** You can enter standby mode for short idle times, such as when you are having a short conversation.

**Suspend Mode** You can enter suspend mode for some what longer times when you are away from your computer.

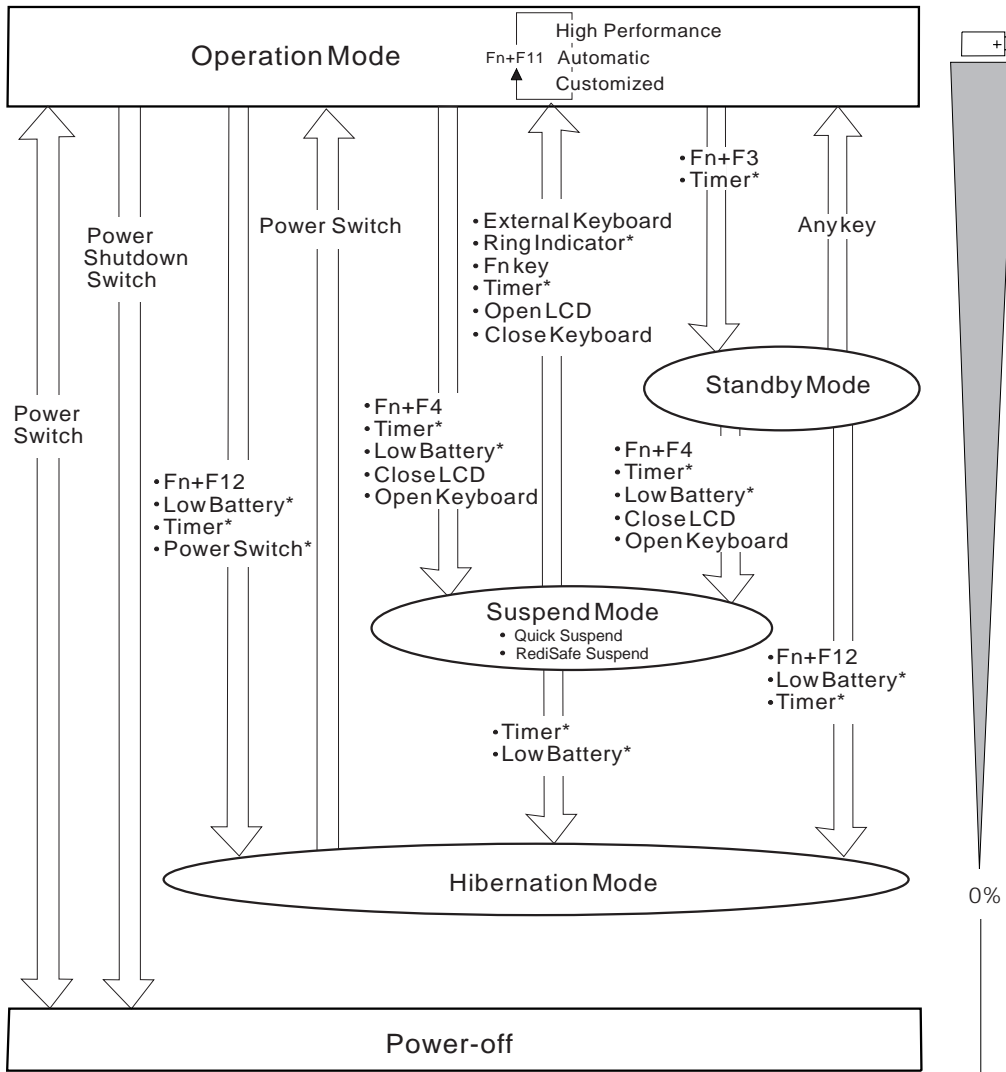
**Hibernation Mode**

You can enter hibernation mode when you leave your office for the day.

It takes more time to return to normal operation from suspend mode than to return from standby mode, but the computer does not use as much power.

**Using Power Management**

The following figure shows the operations required when the computer moves from a power-off condition to operation mode, and vice versa. The battery shows the amount of battery power used in each stage.



\* These options are set using the ThinkPad Features program.

## Using Power Management

### Standby Mode



In standby mode, the hard disk drive stops and the LCD turns off. All system tasks are interrupted when you enter standby mode. The computer immediately resumes normal operation when you press any key or use any pointing device. Also, if a power-saving monitor (Energy Star Monitor) is in use when the computer enters standby mode, the computer activates the monitor's low-power mode.

### Suspend Modes

The computer provides the following two types of suspend modes for you to save power:

- Suspend mode
- RediSafe suspend mode

The following indicator lamps (visible when the LCD is closed) change status when using suspend mode:

Current Status	Indicator Lamps	
	 Suspend Mode	 Power-On
In Suspend Mode	Green	Off
Entering or Resuming Suspend	Blinking green	Off
Normal Operation	Off	Green

#### Suspend mode

In suspend mode, all tasks are stopped and stored in memory to save power. When the computer resumes normal operation, the tasks are automatically restored.

#### RediSafe suspend mode



In RediSafe suspend mode, all tasks are stopped, and memory data and the status of the computer are stored on the hard disk drive. This prevents accidental loss of data during suspend mode. Resuming normal operation is faster in RediSafe suspend mode than it is in Hibernation mode; the computer resumes normal operation by pressing the **Fn** key in RediSafe suspend mode.

## Using Power Management

If all battery power is used and the computer turns off during RediSafe suspend mode, install a fully charged battery pack or connect the AC Adapter; then press the power switch to resume operation. All tasks are restored. *Create the hibernation file before using this mode.* (See "Creating the Hibernation File" on page 105.)

To enter RediSafe suspend mode, do the following:

*If you are using OS/2 or Windows:*

1. Start the ThinkPad Features program; then go to the ThinkPad view.
2. Click on the battery icon (); then click on the suspend/hibernation/resume options icon ().
3. If a hibernation file has not been created, click on **Enable hibernation and create the file on the hard disk drive.**
4. Click on the check box next to **RediSafe suspend.** (A mark appears in the check box when RediSafe suspend is selected.)
5. Click on the **OK** button.

*If you are using DOS:*

1. Type `PS2 HFILE C` at the command prompt; then press **Enter** to create the hibernation file on drive C (type the drive letter of your choice).
2. Type `PS2 SA E` at the command prompt; then press **Enter** to enable suspend mode.

### *Considerations for Suspend Mode*

Consider the following before using suspend mode.

The computer can enter suspend mode when used with the following operating systems:

- DOS Version 7.0 or later
- OS/2 Warp Version 3 or later
- Microsoft Windows Version 3.11 with DOS Version 7.0 or later

**Important**

When you use Windows Version 3.11, ensure that Advanced Power Management (APM) is installed according to the instructions in “Installing Microsoft Windows Version 3.11 or Later” on page 198.

Approximately 1.5 hours are needed to recharge the battery in suspend mode.


Attached devices, such as a printer or serial device, stop running when the computer enters suspend mode. When you resume normal operation, the output might differ from what you expect, because the device might be reset or lose its configuration settings.

Sometimes you might want to use the computer with the LCD closed, for example, when an external display and keyboard are used. In such a case, turn on the computer with the LCD closed or set the computer to not enter suspend mode when the LCD is closed using the ThinkPad Features program.

When a power-on password or hard disk password is set, you need to enter your password to resume normal operation from the ThinkPad Features timer or ring indicator. However, no password prompt will be displayed; only a blank screen is displayed.

## Using Power Management

Standby mode:

 Page 101.

When the computer is powered with ac power and is using one of the following IBM PC Cards, it enters *standby mode*:

- IBM 3270 Emulation Credit Card Adapter
- IBM Token-Ring 16/4 Credit Card Adapter
- IBM Credit Card Adapter for Ethernet
- IBM 5250 Emulation Credit Card Adapter

When other PC Cards are used and the computer enters suspend mode, all application programs stop. Communication also stops for communication PC Cards not listed above. For some PC Cards, power to the PC Cards might also turn off.

When the computer is powered with battery power, the computer turns power off to the PC Card, and communication stops for communication PC Cards, so the duration of suspend mode is longer.

If communication for a PC Card is not reestablished after resuming normal operation, remove and then reinstall the PC Card before restarting the system or application program. For other kinds of PC Cards, if the PC Card or computer does not operate, restart the application or computer.

When the computer is using one of the following IBM modem cards and detects an incoming call while in suspend mode, the computer automatically resumes normal operation:

- IBM PCMCIA Data/FAX Modem
- IBM High Speed PCMCIA Data/FAX Modem
- SRAM or ATA PC Card
- IBM Microelectronics 2.4/9.6 Data/FAX Modem
- IBM Microelectronics 14.4/14.4 Data/FAX Modem
- IBM Wireless Modem for ARDIS
- IBM Wireless Modem for Mobitex
- IBM Wireless Modem for Cellular/CDPD

While a communication link is active, the computer does not enter suspend mode.


### Note:

You must set the **Ring Indicator** option in the ThinkPad Features program so the computer automatically resumes normal operation.

*For OS/2 or Windows:*


1. Click on the battery icon



() in the ThinkPad view.

2. Click on the suspend/hibernation/resume



option icon () ; then select the ring indicator option.

*For DOS:* Enter PS2 RI E



### *Hibernation Mode*

**Notes:**

1. Before using hibernation mode, you must create a hibernation file.
2. Using an expansion unit or a particular PC Card can disable the hibernation mode.
3. With a base memory of 8MB, it takes approximately 10 seconds to enter hibernation mode and 18 seconds to resume normal operation. (The time to enter or exit hibernation mode depends on the computer memory size.)

In hibernation mode, all tasks are stopped and memory data and the current status of the computer are stored on the hard disk drive; *then power is turned off*. No battery power is used. When power is turned on again, the computer automatically restores the tasks and resumes normal operation. When the computer enters hibernation mode, you hear one short beep. A graphical message appears and the suspend mode indicator lamp blinks; then a short beep sounds again to inform you that the computer has entered hibernation mode.

### *Creating the Hibernation File*

**Warning:**

**The hibernation file must not be created in a compressed data area of the hard disk.**

When installing an operating system or installing additional computer memory, you must create a hibernation file on the hard disk drive to use the hibernation mode. (You only need to create the hibernation file once after installing an operating system or additional memory.)

The size of the hibernation file will be greater than total memory. For example, if base memory is 8MB and you have installed an optional 4MB memory module (DIMM), the hibernation file is 13MB:

$$(8\text{MB} + 4\text{MB}) + 1\text{MB} = 13\text{MB}$$

The following describes how to create a hibernation file for your operating system.

## Using Power Management



*If you are using OS/2 or Windows:*

**1** Turn on the computer and start the ThinkPad Features program.

**2** Go to the ThinkPad view; then click on the battery icon.



**3** Click on the suspend/hibernation/resume options icon.



**4** Click on the **Enable Hibernation** button in the menu.

**5** Make sure the hard disk drive in the computer is selected; then press the **OK** button to create the hibernation file.

The computer can now enter hibernation mode.



*If you are using DOS:*

Type `PS2 HFILE C` at the command prompt; then press **Enter**.

The hibernation file is created on drive C.

### *Considerations for Hibernation Mode*

Consider the following before using hibernation mode:

Do not run any tasks while the hibernation file is being created.

Create the hibernation file only on the hard disk drive installed in the computer. The hibernation file is hidden and cannot be accessed.

The computer uses battery power to enter hibernation mode. Therefore, it reserves some battery power when it is set to enter hibernation mode when a low-battery condition occurs. This can cause the battery operating time to be shorter than the time shown on page 25.

**Note:**

If the communication links are still not reestablished, remove and then reinstall the PC Card before restarting the system or application program.

When the computer is powered with battery power, the computer turns power off to the PC Card when entering hibernation mode. When resuming normal operation, if the PC Card or computer does not operate, restart the application or computer.

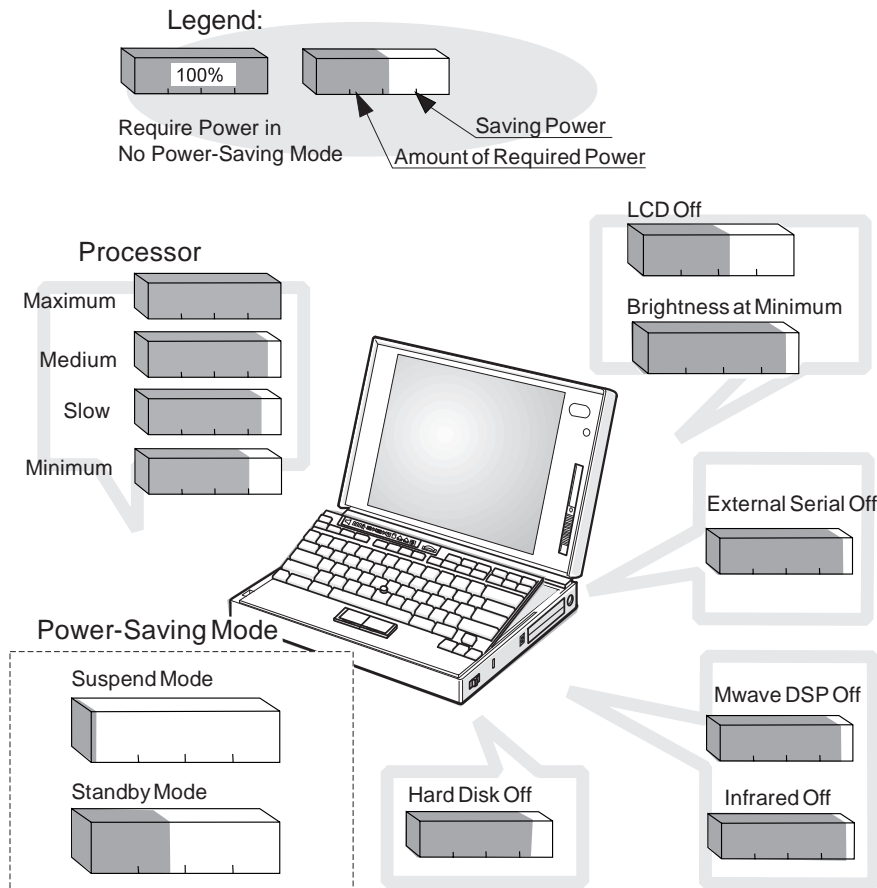
When the computer is powered with ac power and is using one of the following IBM PC Cards, it does not enter hibernation mode:

- IBM PCMCIA Data/FAX Modem
- IBM High Speed PCMCIA Data/FAX Modem
- IBM 3270 Emulation Credit Card Adapter
- IBM Token-Ring 16/4 Credit Card Adapter
- IBM Credit Card Adapter for Ethernet
- IBM 5250 Emulation Credit Card Adapter
- IBM Microelectronics 2.4/9.6 Data/FAX Modem
- IBM Microelectronics 14.4/14.4 Data/FAX Modem
- IBM Wireless Modem for ARDIS
- IBM Wireless Modem for Mobitex
- IBM Wireless Modem for Cellular/CDPD

This prevents possible problems from occurring with communication application programs after the computer returns to normal operation.

## Using Power Management

The figure below helps you determine how much power is normally required for each computer feature, and how much is required when the feature is controlled by the battery power-management function.



## Chapter 5. Protecting Your Computer

---

This chapter provides information about how to protect your computer and its internal devices.

Using Passwords . . . . .	110
Power-On Password . . . . .	110
Setting a Power-On Password . . . . .	110
Entering a Power-On Password . . . . .	112
Changing a Power-On Password . . . . .	113
Removing a Power-On Password . . . . .	114
Hard Disk Password . . . . .	115
Setting a Hard Disk Password . . . . .	116
Entering a Hard Disk Password . . . . .	117
Changing a Hard Disk Password . . . . .	118
Removing a Hard Disk Password . . . . .	119
Supervisor Password . . . . .	120
Setting a Supervisor Password . . . . .	121
Entering a Supervisor Password . . . . .	122
Changing a Supervisor Password . . . . .	122
Removing a Supervisor Password . . . . .	124
Using Several Hard Disk Drives with the Supervisor Password . . . . .	125
Using the Personalization Feature . . . . .	127
Entering the Personal Information . . . . .	128
Deleting a Personalized Screen . . . . .	130
Using Locks . . . . .	131
Using the Security Lock . . . . .	131
Using the PC Card Lock . . . . .	133
Removing the PC Card Lock . . . . .	135

## Using Passwords

# Using Passwords

There are three types of passwords you can use to protect your computer and the removable hard disk drive:

The *power-on password* protects your computer from being used by unauthorized persons.

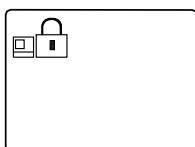
The *hard disk password* protects the data on your removable hard disk drive from being accessed by unauthorized persons.


The *supervisor password* protects the system information in Easy-Setup from being modified and your removable hard disk drive from being used by unauthorized persons.

### Hints and Tips

You can display your personal information, such as your name or address, on the password prompt screen. For details, see page 127.

## Power-On Password



The power-on password helps protect your computer from being used by unauthorized persons. If a power-on password is set, the password prompt () appears on the screen whenever you turn on the computer and reminds you to enter the password.

### Setting a Power-On Password

To set a power-on password:

#### Note:

If **Initialize** in the Config menu, **Password**, or **Start up** cannot be selected when using Easy-Setup, a supervisor password is set. You must enter the supervisor password instead of the power-on password to use all Easy-Setup functions.

**1** Start Easy-Setup and select the **Password** icon.

To start Easy-Setup, press and hold **F1** and turn on the computer.

**2** Select the **Power-On** icon ()

**Note:**

When you type a wrong key, use the **Backspace** key to erase it and then type the correct key.

- 3** Type your desired power-on password; then press **Enter**.

You can use any combination of up to 7 characters. Use a combination of any letters or numbers (A to Z, 0 to 9) in uppercase (A) or lowercase (a). Uppercase and lowercase letters (for example, A and a) are treated the same.

- 4** Type your power-on password again to verify it; then press **Enter**.

**Do Not Forget Your Power-On Password!**

If you forget your power-on password, you cannot reset it. You have to take the computer to an IBM authorized reseller or IBM marketing representative to have the password canceled. Proof of purchase is required, and an additional charge might be required for the service.

Once you set the password, you cannot change or remove it in Easy-Setup; you must change or remove a password at the password prompt screen that appears when you turn on the computer. See “Changing a Power-On Password” on page 113 or “Removing a Power-On Password” on page 114.

## Using Passwords

### Entering a Power-On Password

**Note:**

If the return to normal operation is caused by a preset timer or an incoming call through the modem, the password prompt does not appear. Type the correct password on the blank screen.


If a power-on password is set, the password prompt reminds you to enter the password when:

Turning on the computer.

Returning to normal operation from suspend mode.

When the password prompt appears at the top left corner on the screen, do the following:

#### **1** Type your power-on password.

Each time you press a key, the symbol  appears.

When typing your password, release each key quickly. If you hold a key down too long, the same letter can be entered repeatedly.

#### **2** Press the **Enter** key.

*When the password is entered correctly, **OK** appears and the computer starts normal operation.*

*When you enter the password incorrectly, **X** appears. Enter the correct password.*

If you fail to enter the correct password after three tries, you must turn the computer off, wait at least 5 seconds, and turn it on to try again.




### *Changing a Power-On Password*

You must change your power-on password at the password prompt screen that appears when you turn on the computer. You cannot change it after normal operation is resumed. To change a power-on password:

**Important**

Do *not* press **Enter** until you have finished all the steps to change the power-on password.

- 1** Turn off the computer and wait at least 5 seconds; then turn it on.
- 2** When the password prompt (  ) appears, type your *current* power-on password; then press the **Spacebar**.
- 3** Type the *new* password; then press the **Spacebar**.  
Use no more than 7 characters.
- 4** Type the *new* password again to verify it; then press **Enter**.

All the steps can be summarized as follows:

*Current(space)New(space)New(Enter)*

The new password will be available when you turn on the computer the next time.


**Do Not Forget Your Power-On Password!**

If you forget your power-on password, you cannot reset it. You have to take the computer to an IBM authorized reseller or IBM marketing representative to have the password canceled. Proof of purchase is required, and an additional charge might be required for the service.

## **Using Passwords**

### ***Removing a Power-On Password***

You must remove your power-on password at the password prompt that appears when you turn on the computer. You cannot remove it after normal operation is resumed. To remove a power-on password:

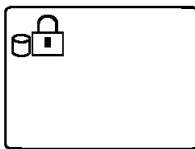
- 1** Turn off the computer and wait at least 5 seconds; then turn it on.
- 2** When the password prompt (  ) appears, type your current password; then press the **Spacebar**.
- 3** Press **Enter**.

The power-on password is removed.

All the steps can be summarized as follows:

*Current(space)(Enter)*

## Hard Disk Password



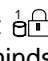
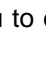
The hard disk password helps you protect the information stored on your removable hard disk drive. Even if your hard disk was removed from the computer, the information stored in your hard disk cannot be accessed without the hard disk password.

**Note:**

The hard disk password is stored on the hard disk drive when you set the hard disk password, while the power-on password is stored in the nonvolatile memory of the computer.

When you turn on the computer, the hard disk password prompt appears on the screen and reminds you to enter your password.

When you use a secondary hard disk drive in the UltraBay, you can set hard disk passwords for each of the hard disk drives installed.

The password prompt  appears on the screen when you turn on the computer and reminds you to enter the main hard disk password;  reminds you to enter the secondary hard disk password.

When a hard disk password is set, a preset timer or an incoming call do not activate the resume function.

**Note:**

If the return to normal operation is caused by a preset timer or an incoming call through the modem, the password prompt does not appear. Type the correct password on the blank screen.

To use the resume function with a hard disk password, set the same password for both the power-on password and the hard disk password.

**Note**

**Using a Hard Disk Password with a Power-On Password:**

You can use the hard disk password with the power-on password at the same time. When you turn on the computer, the power-on password prompt appears first and then the hard disk password prompt appears on the screen. Enter the correct passwords.

When you set the same hard disk password as the power-on password, only the power-on password prompt appears on the screen. Enter the correct password. The hard disk password screen does not appear.

## Using Passwords

### Setting a Hard Disk Password

**Note:**

If **Initialize** in the Config menu, **Password**, or **Start up** functions cannot be selected when using Easy-Setup, the supervisor password is set. You must enter the supervisor password instead of the power-on password to use all Easy-Setup functions.

**Note:**

**HDD-1** represents a main hard disk password and **HDD-2** represents a secondary hard disk password.

**Note:**

When you type a wrong key, use the **Backspace** key to erase it, and then type the correct key.

To set a hard disk password:

- 1** Start Easy-Setup; then select the **Password** icon.

To start Easy-Setup, press and hold **F1** and turn on the computer.

- 2** Select **HDD-1** (HDD-1) or **HDD-2** (HDD-2) according to the hard disk type you want to set.

- 3** Type your desired hard disk password; then press **Enter**.

You can use any combination of up to 7 characters. Use a combination of any letters or numbers (A to Z, 0 to 9) in uppercase (A) or lowercase (a). Uppercase and lowercase letters (for example, A and a) are treated the same.

- 4** Type your hard disk password again to verify it; then press **Enter**.

**Do Not Forget Your Hard Disk Password!**

Note the password and keep it in a safe place.

If you forget your hard disk password, there is **no way to reset your password or recover data from the hard disk**. Neither an IBM authorized reseller nor IBM marketing representative can make the hard disk drive usable.

Once you set the password, you cannot change or remove it in Easy-Setup; you must change or remove a password at the password prompt screen that appears when you turn on the computer. See "Changing a Hard Disk Password" on page 118 or "Removing a Hard Disk Password" on page 119.

### *Entering a Hard Disk Password*

If a hard disk password is set, the hard disk password prompt appears when:

You turn on the computer.


When the computer returns to normal operation from suspend or hibernation mode.

When the password prompt appears at the top left corner on the screen:

**Note:**

Do *not* press the **Spacebar** after you enter the password; this action removes the password.

**1** Type the hard disk password.

Each time you press a key, the symbol  appears.

When typing your password, release each key quickly. If you hold a key down too long, the same letter can be entered repeatedly.

**2** Press **Enter**.

*When the password is entered correctly, **OK** appears and the computer starts normal operation.*

*When you enter the password incorrectly, **X** appears. Enter the correct password.*

If you fail to enter the correct password after three tries, you must turn the computer off, wait at least 5 seconds, and turn it on to try again.

## Using Passwords

### Changing a Hard Disk Password

The procedure to change a hard disk password depends on whether or not it is set to the same password as the power-on password.

#### ***When the hard disk password is set the same as the power-on password:***

- 1** Remove the passwords by following the steps in “Removing a Power-On Password” on page 114.

This operation removes both the hard disk password and the power-on password.

- 2** In Easy-Setup, set a new hard disk password. See the steps on page 116.

- 3** If you need a power-on password, set it in Easy-Setup.

#### ***When the hard disk password and the power-on password are different, or the power-on password has not been set:***

- 1** Turn off the computer and wait at least 5 seconds; then turn it on.
- 2** If you have set a power-on password, type it; then press **Enter**.
- 3** When the hard disk password prompt (Ⓜ) appears, type your *current* hard disk password; then press the **Spacebar**.
- 4** Type the *new* password; then press the **Spacebar**.  
Use no more than 7 characters.
- 5** Type the *new* password again to verify it; then press **Enter**.

All the steps can be summarized as follows:

*Current(space)New(space)New(Enter)*

**Do Not Forget Your Hard Disk Password!**

Note the password and keep it in a safe place.

If you forget your hard disk password, there is ***no way to reset your password or recover data in the hard disk drive.***

Neither an IBM authorized reseller nor IBM marketing representative can make the hard disk drive usable.

*Removing a Hard Disk Password*

The procedure to remove a hard disk password depends on whether or not it is set to the same password as the power-on password.

***When the hard disk password is set the same as the power-on password:***

- 1** Remove the password by following the steps in “Removing a Power-On Password” on page 114.

This operation removes both the hard disk password and the power-on password.

- 2** If you need a power-on password, reset it in Easy-Setup.

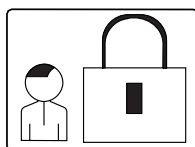
***When the hard disk password and the power-on password are different, or a power-on password has not been set:***

- 1** Turn off the computer and wait at least 5 seconds; then turn it on.
- 2** If you have set the power-on password, type it; then press **Enter**.
- 3** When the hard disk password prompt (Ⓜ) appears, type your current password; then press the **Spacebar**.
- 4** Press **Enter**.

These steps can be summarized as follows:

*Current(space)(Enter)*

## Supervisor Password



The supervisor password helps you protect classified information. A supervisor password:

- Secures the system information stored in Easy-Setup.

- Prohibits modification to the hardware.

- Stops the computer after a POST error to restrict access to the system information.

- Overrides the power-on password. (The supervisor password has priority over the power-on password.)

**Note:**

The supervisor password has priority over the power-on password. You can start the computer with the supervisor password even if you do not know the power-on password.

If a supervisor password is set, you are prompted with a **power-on** icon (🔒) to enter the supervisor password when entering the Easy-Setup program and when a POST error occurs. You can start all normal operations for the computer except Easy-Setup without the supervisor password.

### Using Both Supervisor and Hard Disk Passwords

When a supervisor password is set, the same password is automatically set for the hard disk password.

When you change or remove the supervisor password, the hard disk password also is changed or removed.



### Setting a Supervisor Password

To set a supervisor password:

**1** Start Easy-Setup; then select the **Password** icon.

To start Easy-Setup, press and hold **F1** and turn on the computer.

**2** Select the **Supervisor** icon (.

**3** Type your desired supervisor password; then press **Enter**.

You can use any combination of up to 7 characters. Use a combination of any letters or numbers (A to Z, 0 to 9) in uppercase (A) or lowercase (a). Uppercase and lowercase letters (for example, A and a) are treated the same.

**4** Type your supervisor password again to verify it; then press **Enter**.

#### **Do Not Forget Your Supervisor Password!**

Note the password and keep it in a safe place.

If you forget your supervisor password, there is **no way to reset your password or recover data from the hard disk**. You have to take the computer to an IBM authorized reseller or IBM marketing representative to have the system board replaced. Proof of purchase is required, and an additional charge might be required for the service. Neither an IBM authorized reseller nor IBM marketing representative can make the hard disk drive usable.


If you are using more than one hard disk drive, see page 125.

## Using Passwords

### Entering a Supervisor Password

To set your supervisor password:

**1** Type your supervisor password.

Each time you press a key, the symbol  appears.

When typing your password, release each key quickly. If you hold a key down too long, the same letter can be entered repeatedly.

**2** Press **Enter**.

*When the password is entered correctly, **OK** appears.*

*When you enter the password incorrectly, **X** appears.*  
Enter the correct password.

If you fail to enter the correct password after three tries, you must turn the computer off, wait at least 5 seconds, and turn it on to try again.

### Changing a Supervisor Password

To change your supervisor password:

**1** Turn off the computer and wait at least 5 seconds; then turn it on.

**2** Start Easy-Setup.

To start Easy-Setup, press and hold **F1** and turn on the computer.

**3** Type your *current* supervisor password at the power-on prompt (); then press **Enter**.

**4** Select the **Password** icon from the *Easy-Setup* menu.

**5** Select the **Supervisor** icon; then type your *current* supervisor password and press the **Spacebar**.

A window appears so you can enter a new password.

## Using Passwords

**6** Type the *new* password; then press **Enter**.

**7** Type the *new* password again for verification; then press **Enter**.

### Do Not Forget Your Supervisor Password!

Note the password and keep it in a safe place.

If you forget your supervisor password, you have to take the computer to an IBM authorized reseller or IBM marketing representative to have the system board replaced. Proof of purchase is required, and an additional charge might be required for the service.

If you forget your supervisor password, there is ***no way to reset your password or recover data from the hard disk***. Neither an IBM authorized reseller nor IBM marketing representative can make the hard disk drive usable.

If you are using more than one hard disk drive, see page 126.

## Using Passwords

### Removing a Supervisor Password

To remove the supervisor password:

- 1** Turn off the computer and wait at least 5 seconds; then turn it on.
- 2** Start Easy-Setup.  
To start Easy-Setup, press and hold **F1** and turn on the computer.
- 3** When the power-on prompt (🔒) appears, type your current supervisor password; then press **Enter**.
- 4** Select the **Password** icon from the *Easy-Setup* menu.
- 5** Select the **Supervisor** icon; then type your current password and press the **Spacebar**.
- 6** Press **Enter** at the blank box.
- 7** Press **Enter** again at the verification screen.

When the supervisor password is removed, the lock in the

**Supervisor** icon is unlocked (🔓) and you can select the **HDD-1** or **HDD-2** icon.

If you are using more than one hard disk drive, see page 126.

***Using Several Hard Disk Drives with the Supervisor Password***

Because the supervisor password automatically sets a hard disk password, you must set a supervisor password for each hard disk drive you are using.

To change or remove a supervisor password when you are using several hard disk drives, you must change or remove the hard disk password for each hard disk drive.

***Setting a Supervisor Password when Using Several Hard Disk Drives***

To set a supervisor password when using more than one hard disk drive on your computer:

To set a supervisor password:

 Page 121.

To install the hard disk drive:

 Page 149.

- 1** Set a supervisor password on your computer.
- 2** Install the hard disk drive in which you want to set the supervisor password.
- 3** Turn on the computer. A 158 error appears.
- 4** Press **Enter**.
- 5** Type your supervisor password at the power-on password prompt and start Easy-Setup.
- 6** Select the **Password** icon.
- 7** Select the **Supervisor** icon; then press **Enter**.  
The supervisor password sets the hard disk password on the hard disk drive.
- 8** Turn off the computer. Repeat steps 2 through 8 to set the supervisor password for each hard disk drive.

## Using Passwords

### **Changing or Removing the Supervisor Password when Using Several Hard Disk Drives**

To change or remove the supervisor password when using more than one hard disk drive on your computer:

To change the supervisor password:

 Page 122.

To remove the supervisor password:

 Page 124.

To install the hard disk password:

 Page 149.

- 1** Change or remove your supervisor password on your computer.
- 2** Install the hard disk drive with the old supervisor password set.
- 3** Turn on the computer. The hard disk password prompt appears.
- 4** Do one of the following:

*If you removed the supervisor password in step 1, type the old supervisor password; then press the **Spacebar**.*


*If you changed the supervisor password in step 1, change the old password on the hard disk drive to the new supervisor password by typing:*

*old(space)new(space)new*

- 5** Press **Enter**.
- 6** Turn off the computer. Repeat steps 2 through 5 to change or remove the supervisor password for each hard disk drive.

## Using the Personalization Feature



To set password:  
 Page 110.

You can display personal information, such as your name or address, every time the computer is turned on and a power-on or hard disk password is set. This can help you when you misplace your computer. Because the password is set, your data is secured and cannot be accessed, but your personal information is displayed and identifies the owner of the computer.

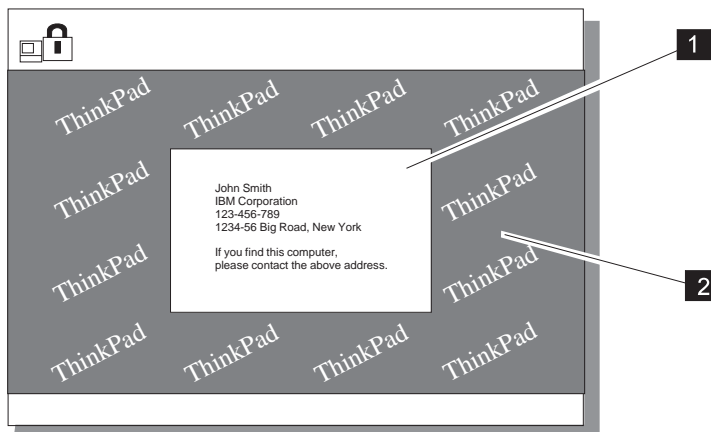
The personalization feature includes a personalization editor program to create your own image to be displayed with the text information you create, and a personalization update utility to store your personal data in the nonvolatile memory of your system.

**Note:**  
For details about bitmap graphics, see page 297.

A personalized password-prompt screen consists of two parts: the personal data area and the background bitmap area.

The *personal data area* 1 is the box in the center of the screen that has a black-and-white bitmap.


The *background bitmap area* 2 surrounds the personal data area.



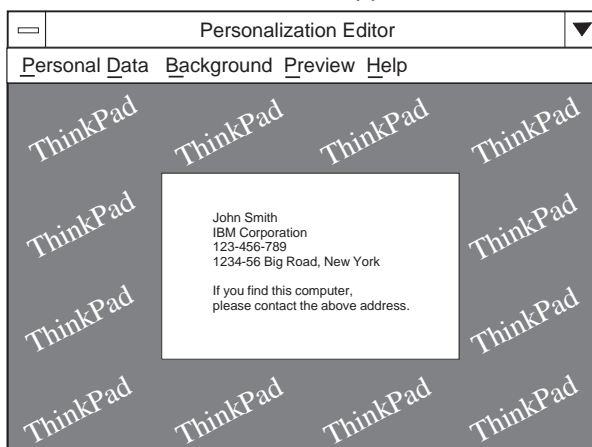
## Entering the Personal Information



To enter personal information for the password-prompt screen:

- 1** Turn on the computer and start OS/2 or Windows.
- 2** Make a backup copy of Utility Diskette 2 using your operating system's diskcopy command.
- 3** Insert the backup copy of the Utility Diskette 2 into the diskette drive.
- 4** Start the ThinkPad Features program by double-clicking the **ThinkPad** icon on the screen.
- 5** Click on the **Personalization Editor** () icon.

The personalization editor window appears.



- 6** Select **Personal Data**.



## Using the Personalization Feature

### Notes:

Use the **TAB** key to move the cursor to the next field.

You can change the color of the text background from black to white using the **Black background** option.

### Note:

A sample bitmap file (`BACKSAMP.BMP`) is available on Utility Diskette 2.

**7** Fill in each field with your own information at the Personal Data Entry window.

**8** Select **OK**.

Next, create the background bitmap as follows:

**9** Select **Background** in the Personalization Editor window.

Windows Paintbrush automatically opens.

**10** Draw an image or color the background.

Your bitmap size must be *160 by 100 pels*. To change the size, select **Options** and then **Image Attributes**. Specify a **Width** of 160, a **Height** of 100, and set the **Units** to pels.

**11** Select **File** and **Save As** to save and name your drawing as a *16-color bitmap* file on the backup copy of Utility Diskette 2.

**12** Close Paintbrush.

**13** When the opening file window appears, enter the name of your bitmap file on Utility Diskette 2 that you have just created.

**14** Select **Preview** to preview the actual full-screen size of the personal information screen.

To return to the previous screen, press **Enter**.

To save your personalized screen in the nonvolatile memory in the computer:

**15** Close all applications; then turn off the computer.

**16** Insert the backup copy of the Utility Diskette 2 into the diskette drive; then turn on the computer.

## Using the Personalization Feature

**17** Select **Update personalization data** at the menu screen; then follow the instructions on the screen.


Your data will be copied from Utility Diskette 2 and stored in the nonvolatile memory in the computer.

**18** After the data is stored, turn off the computer.

**19** Set your password if you have not set it.

You have created your own personalized password-prompt screen. It will appear each time the computer is turned on.

To set password:

 Page 110.

## Deleting a Personalized Screen

To delete a personalized screen from the password-prompt screen:

**1** Close all applications; then turn off the computer.

**2** Insert the backup copy of the Utility Diskette 2 into the diskette drive; then turn on the computer.

**3** Select **Delete personalization data** from the menu; then follow the instructions on the screen.

**4** After the data is updated, turn off the computer.

Your data has been deleted from the nonvolatile memory in the computer.

## Using Locks

**Note:**

You are responsible for evaluating, selecting, and implementing the locking devices and security features. IBM makes no comments, judgments, or warranties about the function, quality or performance of locking devices and security features.

You can protect your computer and its internal devices with locks.

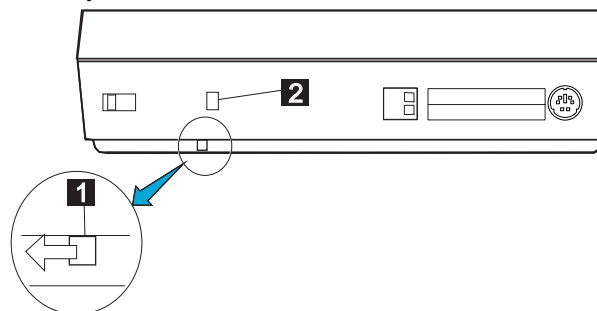
To protect the internal devices under the keyboard and prevent the removal of your computer, you can purchase a Kensington lock or a compatible lock.

To protect PC Cards, you can use a PC Card lock.

## Using the Security Lock

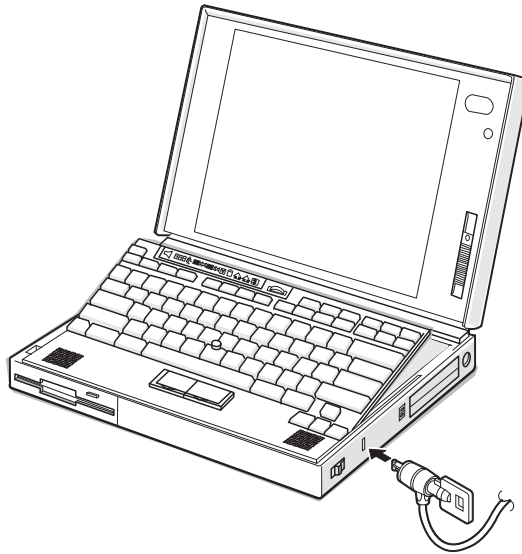
To prevent your computer and its internal devices from being removed without permission, purchase a Kensington lock or a compatible lock and do the following:

- 1 Lock the latch 1 on the right side of the computer to open the keyhole 2 .



## *Using Locks*

- 2 Attach a Kensington lock or a compatible lock to the keyhole on the side of the computer; then secure the chain on the lock to a secure stationary object.



This also prevents the removal of:

- Internal devices under the keyboard

- Memory modules (DIMMs) in the memory slot on the bottom of the computer.

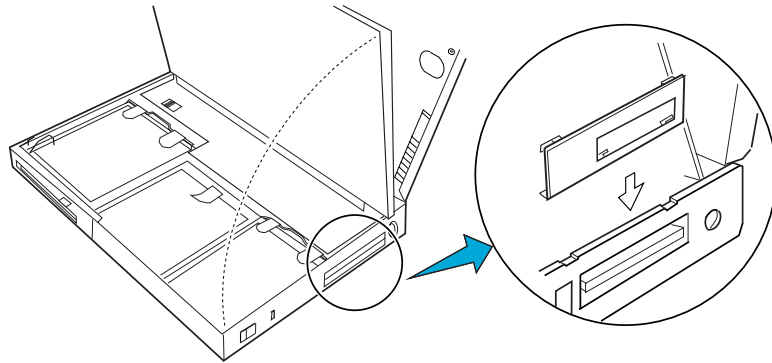
## Using the PC Card Lock

To prevent PC Cards from being removed from the PCMCIA slots:

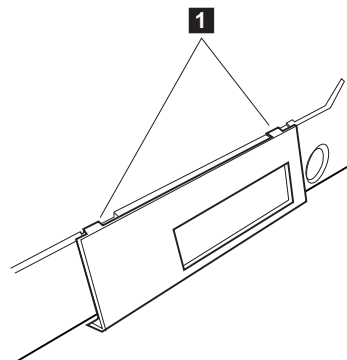
**Warning:**  
Make sure that any locking device is unlocked.

**Warning:**  
The hard disk drive is a very delicate device that needs careful handling. If it falls onto a hard surface, severe damage can occur.

- 1 Open the keyboard and remove the hard disk drive; then position the PC Card lock as shown.

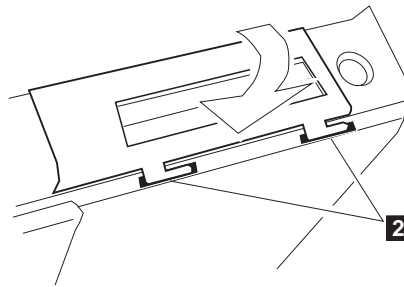


- 2 Fit the upper portion of the PC Card lock into the two notches 1 as shown.

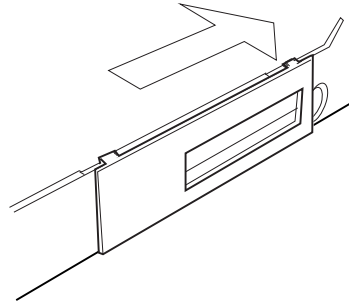


## Using Locks

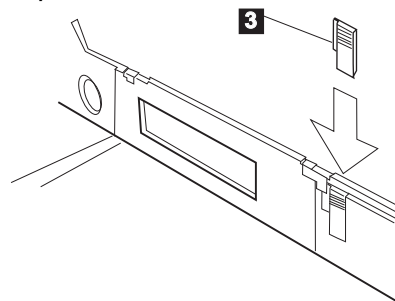
- 3 Insert the lower portion of the PC Card lock into the openings 2 on the bottom edge of the computer.



- 4 Slide the PC Card lock to the right.



- 5 Insert the spacer 3 from the inner side of the computer as shown to stop the PC Card lock from sliding.



To use the security keyhole:

 Page 131.

- 6 Replace the hard disk drive and lock the keyboard using the security keyhole.

*Removing the PC Card Lock*

To remove the PC Card lock:

**Warning:**  
Make sure that any locking device is unlocked.

**Warning:**  
The hard disk drive is a very delicate device that needs careful handling. If it falls onto a hard surface, severe damage can occur.

- 1** Open the keyboard and remove the hard disk drive.
- 2** Remove the spacer from the computer.
- 3** Slide the PC Card lock toward the front of the computer.
- 4** Remove the PC Card lock first from the lower portion and then from the upper portion.

Be sure to save the PC Card lock for future use.

## *Using Locks*



## Chapter 6. Installing and Removing Options

---

This chapter provides information about how to install or remove external or internal devices and IBM options.

Installing and Removing PC Cards . . . . .	138
Inserting the PC Card . . . . .	139
Removing the PC Card . . . . .	141
Increasing Memory Capacity . . . . .	142
Installing and Removing the DIMM . . . . .	142
Replacing the Hard Disk Drive . . . . .	149
Installing a Secondary Battery Pack in the UltraBay . . . . .	152
Installing a Secondary Hard Disk Drive in the UltraBay . . . . .	156
Installing an Option in the UltraBay . . . . .	159
Installing the DAA/Telephony Kit . . . . .	163
Attaching an External Numeric Keypad or a Mouse . . . . .	167
Using the Mouse and Other Pointing Devices . . . . .	168
Attaching an External Keyboard . . . . .	169
Attaching an External Display . . . . .	170
Changing the Display Mode . . . . .	171
Setting the Monitor Type and the Display Driver . . . . .	172
Connecting an External Display to the Computer . . . . .	173
Changing the Screen Resolution or Color Depth . . . . .	173
Attaching an IBM Dock I or Dock II Expansion Unit . . . . .	175

## Installing and Removing PC Cards

# Installing and Removing PC Cards

This section explains how to install and remove a PC Card. For information about operating the computer with PC Cards, refer to "Using PC Cards" on page 53.

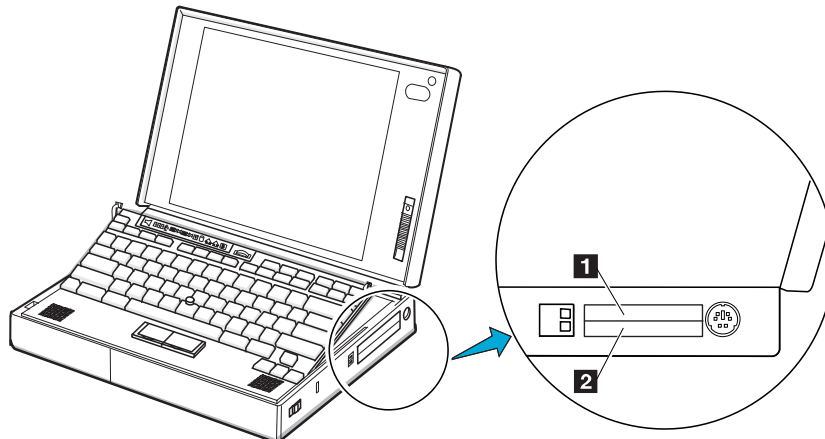
### Note:

When installing an operating system, install the PCMCIA device driver that is on the PCMCIA Device Driver Diskette for DOS/Windows before using PC Cards.

The computer has two PCMCIA slots (upper slot 1 and lower slot 2), and you can install two *Type I* or *Type II* PC Cards (one in each slot), or a single *Type III* PC Card (in the lower slot).

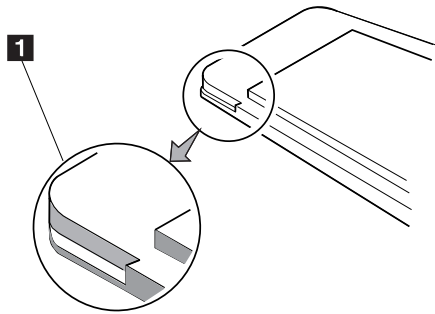
To install the PCMCIA device driver:

 Page 179.



## Inserting the PC Card

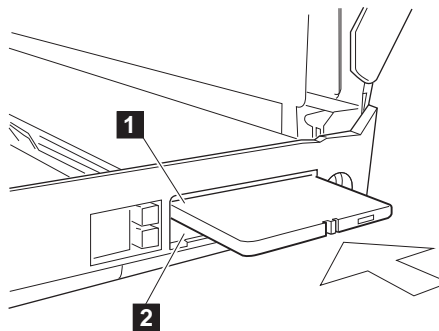
- 1 Find the notched edge 1 of the PC Card as shown.



- 2 Insert the PC Card into an appropriate slot according to your PC Card type. Slot covers open to the inside when you insert the PC Card.

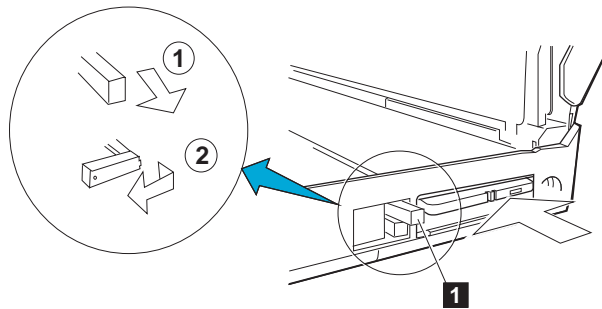
If you are using a Type I or Type II PC Card, insert it into either the upper slot 1 or the lower slot 2 .

If you are using a Type III PC Card, insert the card into the lower slot 2 .



## Installing and Removing PC Cards

- 3 Press the PC Card firmly into the connector until the eject button 1 pops out. Then, pull the eject button out slightly and fold it to the left.



You have completed the installation of the PC Card. Refer to the following sections:

To use PC Cards, see “Using PC Cards” on page 53.

To use PC Cards with power-saving functions, see:

- “Considerations for Suspend Mode” on page 103.
- “Considerations for Hibernation Mode” on page 107.

To secure your PC Card with a lock, see “Using the PC Card Lock” on page 133.

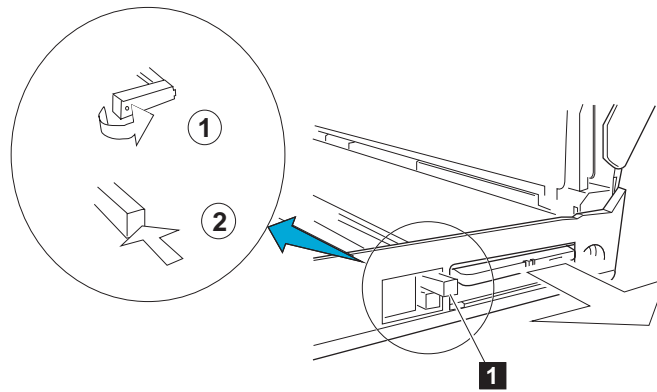
## Removing the PC Card

**Warning:**  
Make sure the PC Card lock is removed.

To remove PC Card lock:

 Page 134.

Raise the PC Card eject button 1 for the PC Card you want to remove. Then, press the PC Card eject button and remove the PC Card.



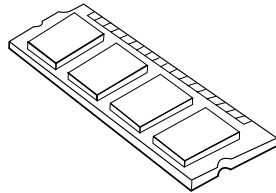
## Increasing Memory Capacity

# Increasing Memory Capacity

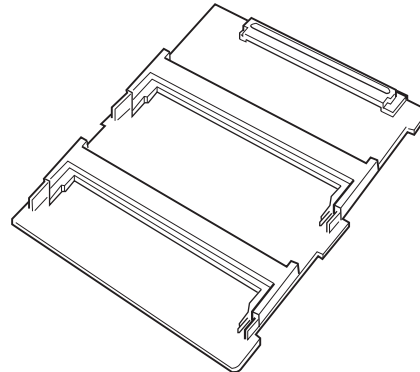
**Note:**  
IC DRAM cards cannot be used with the 760C computer.

Increasing memory capacity is an effective way to make programs run faster. You can increase the amount of memory in your computer by installing dual inline memory modules (*DIMMs*), available as an option.

DIMM



DIMM adapter



Three different capacities of DIMM (4MB, 8MB, and 16MB) are available. To use a DIMM, you need to install it on the memory module adapter (DIMM adapter) in the memory slot on the bottom of the computer. The DIMM adapter has two sockets for DIMM expansion. The memory capacity can be expanded up to 40MB when you install two 16MB DIMMs in addition to the standard memory (8MB).

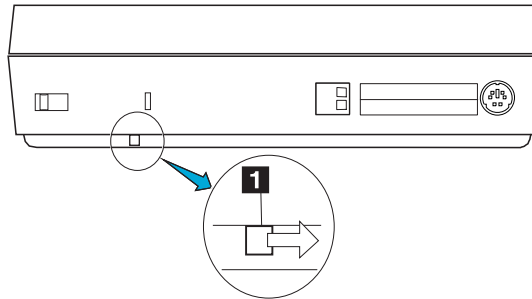
## Installing and Removing the DIMM

- 1** Turn off the computer; then disconnect the AC Adapter and all cables from the computer.
- 2** If you are using any locking device with a security keyhole, remove it.

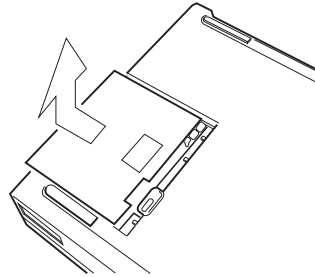
**Warning:**  
Make sure that any locking device is unlocked.

## Increasing Memory Capacity

- 3** Unlock the latch 1 on the right side of the computer.

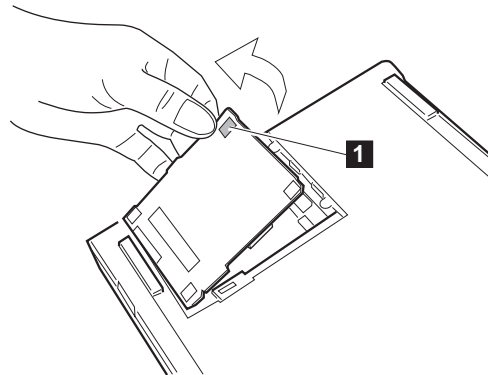


- 4** Turn over the computer; then slide the memory slot cover 1 and remove it.



**Warning:**  
To avoid damaging the DIMM, do not touch its contact edge.

- 5** Remove the DIMM adapter by lifting up the edge 1 from the computer, and place it on a flat surface.



## Increasing Memory Capacity

### 6 Which are you going to do?

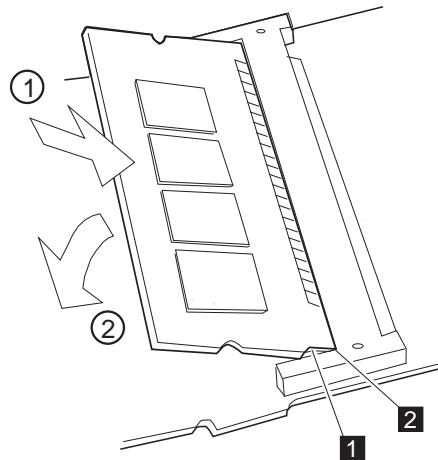
**Install a DIMM**                      Go to the next step.

**Remove a DIMM**                      Go to step 9 on page 145.

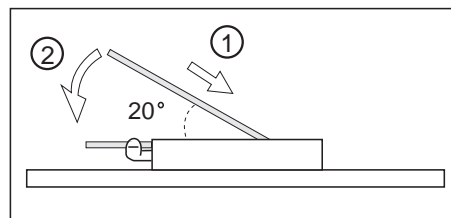
### 7 Insert the DIMM (available as an option) into either of the sockets on the DIMM adapter.

- Find the notch 1 on the side of the DIMM.
- With the notched end of the DIMM toward the right side of the socket 2, insert the DIMM, at an angle of approximately 20°, into the socket; then press it firmly.
- Pivot the DIMM until it snaps into place.

If you have another DIMM to install, insert it into the other socket in the same way.



Side View





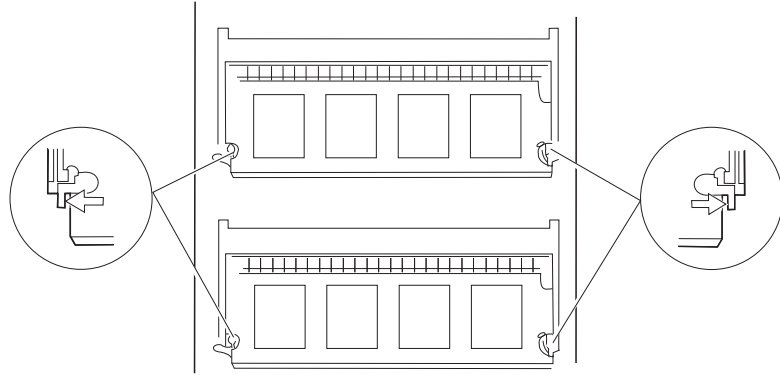
## Increasing Memory Capacity

### Warning:

To avoid damaging the DIMM, do not touch its contact edge.

**8** Go to step 10 on page 145.

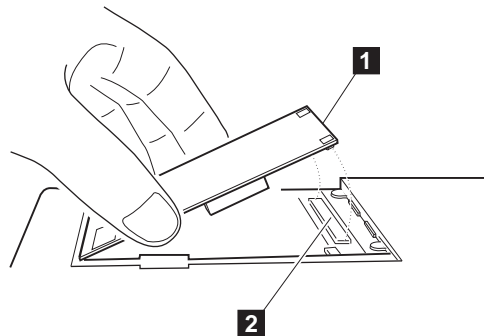
**9** Press out on the latches on both edges of the socket at the same time and remove the DIMM.



Be sure to save the DIMM for future use.

**10** Attach the DIMM adapter to the computer.

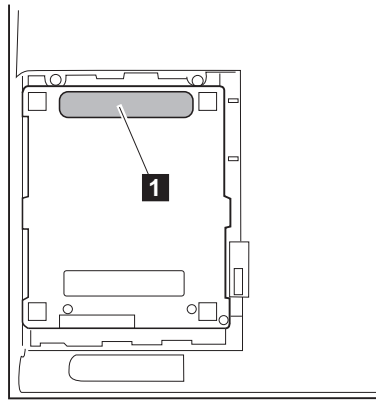
- Turn over the DIMM adapter.
- Place it into the memory slot and then align the connectors of the DIMM adapter **1** and the memory slot **2**.



## Increasing Memory Capacity

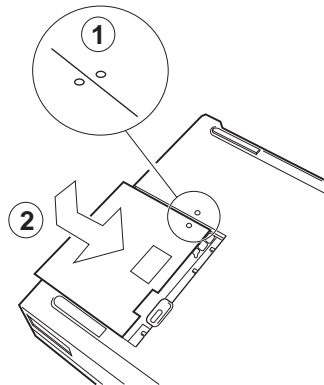
- c) Press on the shaded area 1 until the DIMM adapter snaps into the memory slot connector.

Press on three points (both sides and center) of the shaded area.



- d) Make sure the DIMM adapter is firmly connected.

- 11** Align the matching ( ) marks on the memory slot cover and the bottom of the computer; then slide in the memory slot cover.



## Increasing Memory Capacity

**12** To confirm that the DIMM adapter is correctly attached to the computer, do the following:

- a) Calculate your total memory size by adding the DIMM memory size to the base memory size (7808KB).

For example, if you installed two 16MB DIMMs, the total memory size can be calculated as follows:

$$16(\text{MB}) \times 2 \times 1024(\text{KB}) + 7808(\text{KB}) = 4576(\text{KB})$$

- b) Start Easy-Setup and confirm the memory size count at the upper left corner of the screen as shown:

```
4 576 KB OK
```

If a 2 1 error code appears under the memory count, turn off the computer and go to page 142 to reinstall the DIMM.

```
78 8 KB OK  
2 1
```

- c) Is the total memory size the same as the value you calculated in step 12a?

**Yes** Go to the next step.

**No** Turn off the computer and go to page 142 to reinstall the DIMM.

**Note:**

To start Easy-Setup, press and hold **F1**; then turn on the computer.

## Increasing Memory Capacity

### Note:

It may take some time to complete the memory test.

- d) Select **Test** from the main menu of Easy-Setup; then select **Memory**.

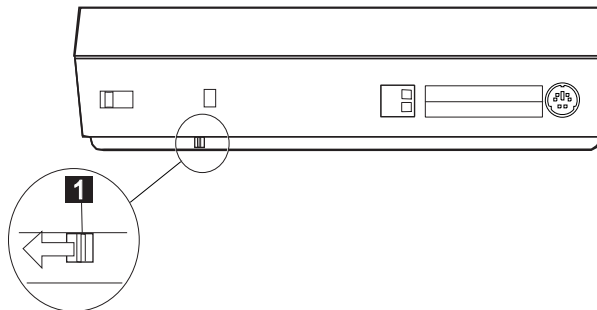
The memory test starts.

- e) Does an **OK** message now appear under the **Memory** icon?

**Yes** You have installed the DIMM and DIMM adapter correctly. Exit Easy-Setup and go to next step.

**No** You need to reinstall the DIMM adapter. Go to page 142 and reinstall the DIMM adapter.

- 13** Slide the latch **1** to lock the memory slot cover.



To prevent the installed DIMMs from being removed from the computer, attach a lock to the security keyhole. See page 131.

- 14** Close the keyboard and reconnect all cables.

You have completed the installation or removal of the DIMM.

### Note:

If you changed the memory installed in the computer, you need to create a new hibernation file.

If you plan to use hibernation mode, see “Creating the Hibernation File” on page 105.

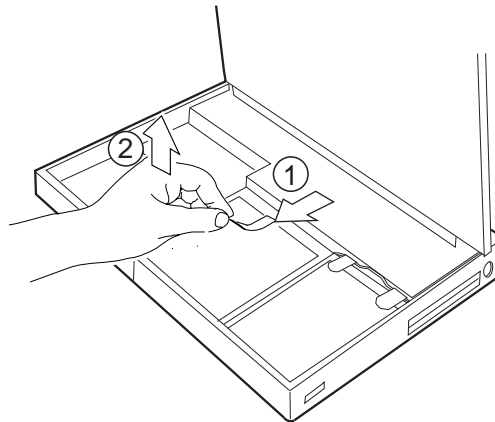
## Replacing the Hard Disk Drive

The capacity of the hard disk can be increased by replacing the original hard disk drive with an optional one. This option can be purchased through your IBM authorized reseller or IBM marketing representative.

- 1** Turn off the computer; then disconnect the AC Adapter and all cables from the computer.
- 2** Open the LCD; then open the keyboard.
- 3** Remove the battery pack.

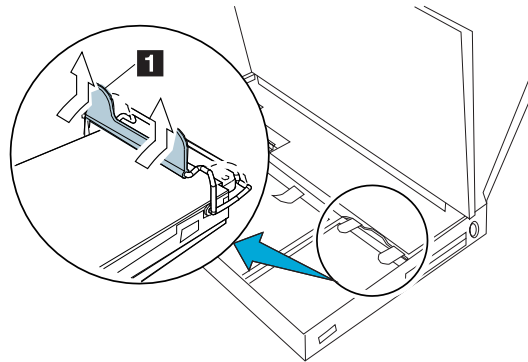
**Warning:**  
Make sure that any locking device is unlocked.

**Warning:**  
The hard disk drive is a very delicate device that needs careful handling. If it falls onto a hard surface, severe damage can occur.



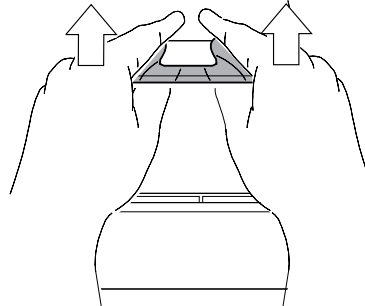
## Replacing the Hard Disk Drive

- 4** Lift the hard disk drive handle by pulling the plastic tape  
1 .



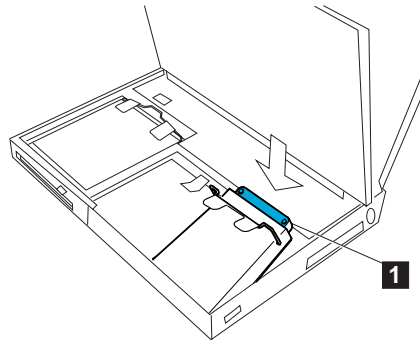
- 5** Remove the hard disk drive.

Be careful to hold the drive as it comes out of the bay. Gently place it on a flat surface. After removing the drive, keep it in the carrying case that contained the replacement drive.



## *Replacing the Hard Disk Drive*

- 6** Insert the replacement drive. Press on the shaded area **1** as shown until the drive snaps into the connector and then replace the hard disk drive handle.



- 7** Replace the battery pack and then close the keyboard.
- 8** Connect the AC Adapter to the computer; then turn on the computer.

You have completed the replacement of the hard disk drive. To install your operating system and other necessary software, see “What You Need for Your Computer” on page 178.

## *Installing a Secondary Battery Pack in the UltraBay*

# Installing a Secondary Battery Pack in the UltraBay

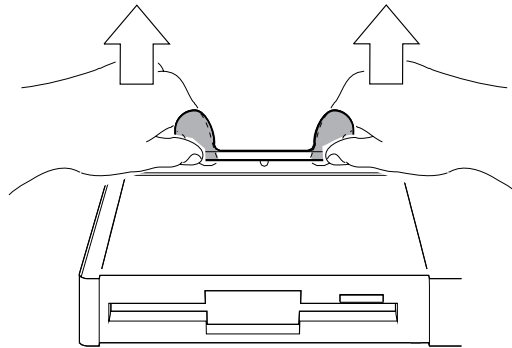
You can extend battery operation time by using two battery packs installed in the computer at the same time. A secondary battery pack is available as an option. Before installing a secondary battery pack, remove the diskette drive from the UltraBay.

### **Warning:**

To prevent damage to the diskette drive, make sure the AC Adapter is disconnected from the computer.

The diskette drive is a very delicate device that needs careful handling. Do not press on, drop, or apply any shock to the diskette drive while it is removed from the computer.

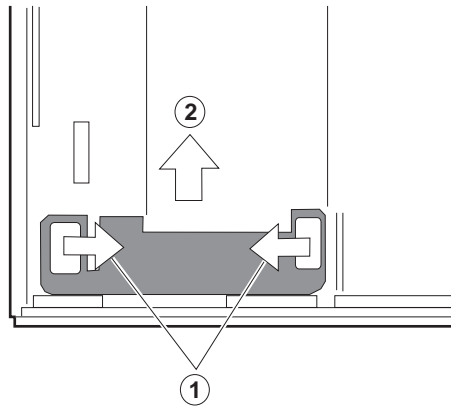
- 1** Turn off the computer; then disconnect the AC Adapter and all cables from the computer.
- 2** Open the LCD; then open the keyboard.
- 3** Make sure that no diskette is in the drive.
- 4** Lift the drive handle with the plastic tape, and remove the diskette drive.





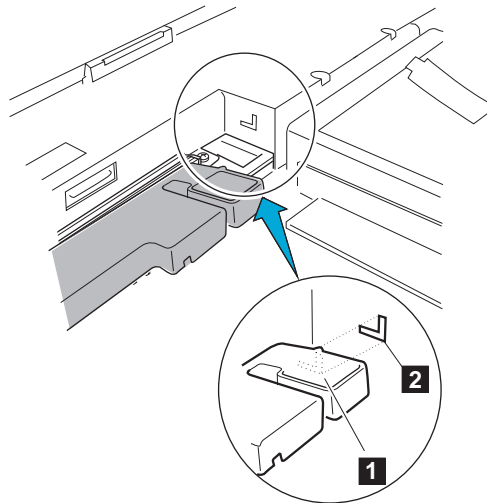
### *Installing a Secondary Battery Pack in the UltraBay*

- 5** Pinch together both holes and remove the spacer by lifting it up slightly.



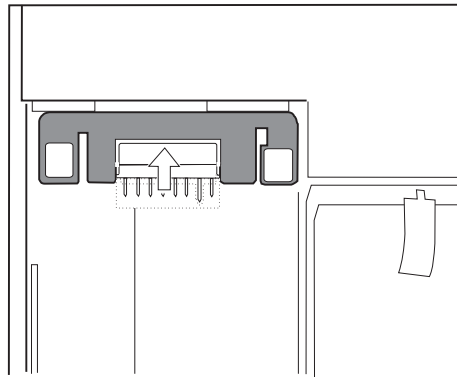
- 6** Place the spacer to cover the diskette drive connector.

a) Make sure the projected end 1 fits into the opening 2 .



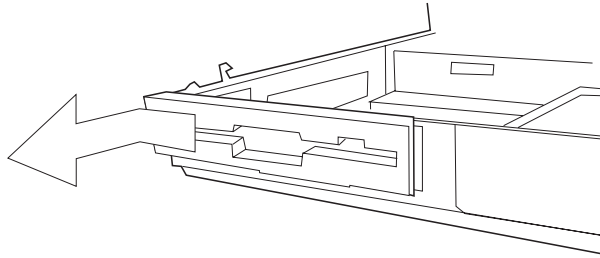
## Installing a Secondary Battery Pack in the UltraBay

- b) Place the spacer onto the connector and then open the battery connector cover.

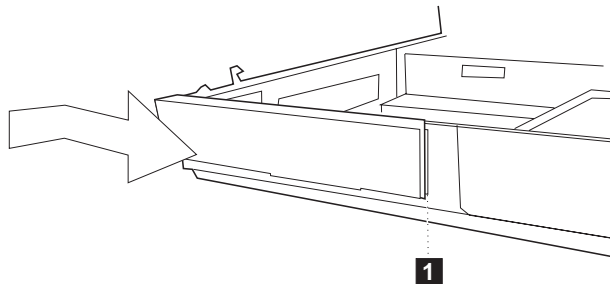


**Note:**  
Keep the diskette drive bezel for future use.

- 7** Slide the diskette drive bezel slightly to the left and remove it by pulling toward the front.

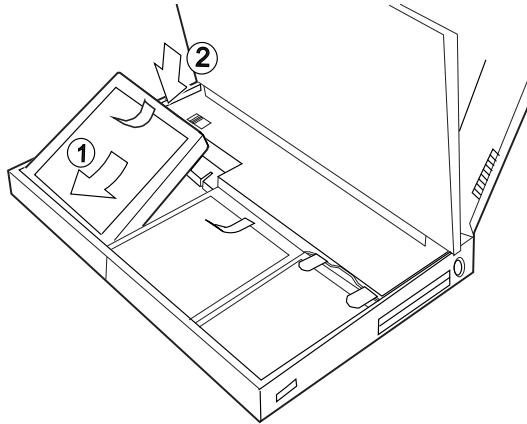


- 8** Place the blank bezel at the position 1 as shown and slide it to the right.



### ***Installing a Secondary Battery Pack in the UltraBay***

**9** Insert the secondary battery pack into the UltraBay.



**10** Close the keyboard and reconnect all cables.

You have completed the installation of the secondary battery pack. To use the secondary battery pack, see page 88.

#### **When Replacing the Diskette Drive**

Before you replace the diskette drive in the UltraBay:

- 1.** Cover the battery connector with its cover.
- 2.** Move the spacer back to its original position (shown in step 5 on page 153).

## Installing a Secondary Hard Disk Drive in the UltraBay

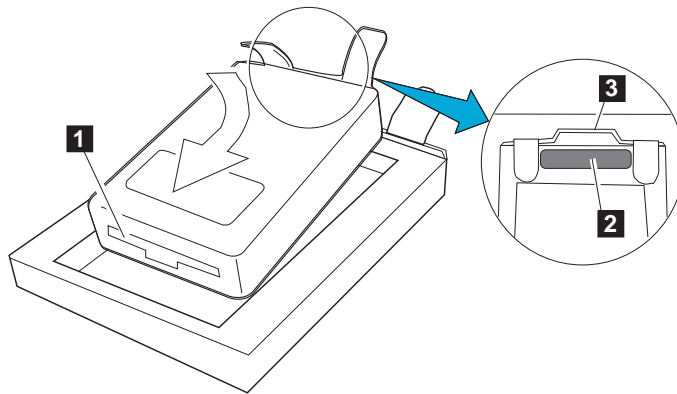
# Installing a Secondary Hard Disk Drive in the UltraBay

You can use two hard disk drives at the same time by installing a secondary hard disk in the UltraBay. To use the secondary hard disk, you need to purchase another hard disk drive and a hard disk holder. Before installing the secondary hard disk, remove the diskette drive.

### Warning:

The hard disk drive is a very delicate device that needs careful handling. Do not press on, drop, or apply any shock to the hard disk drive.

- 1** Attach the secondary hard disk drive to the hard disk holder.
  - a) Insert the hard disk drive in the hard disk holder so that the slot **1** on the hard disk drive fits into the projection on the hard disk drive.
  - b) Press the shaded area **2** until the hard disk firmly snaps into the hard disk holder; then replace the hard disk drive handle **3**.



- 2** Close any running applications on the computer and make sure that no diskette is in the drive.

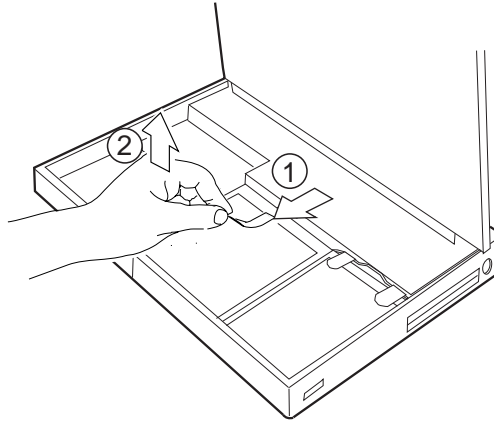
### *Installing a Secondary Hard Disk Drive in the UltraBay*

**Warning:**

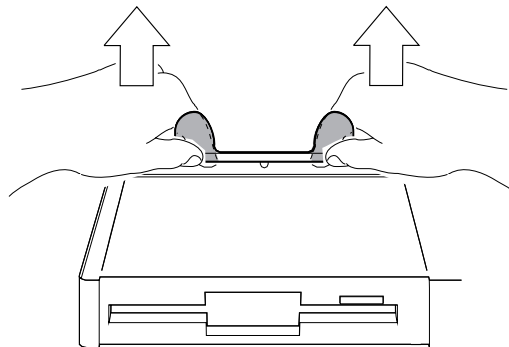
To prevent damage to the diskette drive, make sure the AC Adapter is disconnected from the computer.

The diskette drive is a very delicate device that needs careful handling. Do not press on, drop, or apply any shock to the diskette drive while it is removed from the computer.

- 3** Turn off the computer; then disconnect the AC Adapter and all cables from the computer.
- 4** Open the LCD; then open the keyboard.
- 5** Remove the battery pack.



- 6** Lift the drive handle with the plastic tape, and remove the diskette drive.

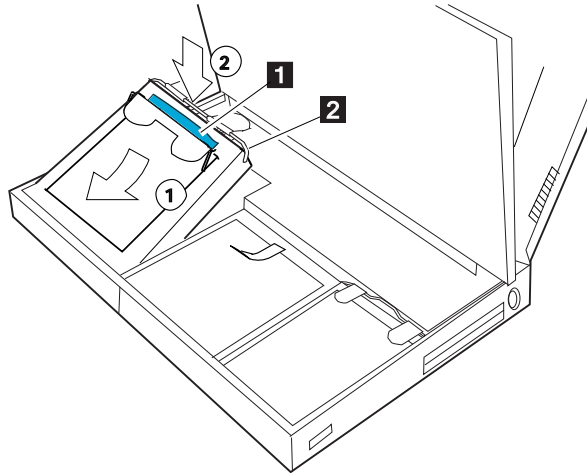


## Installing a Secondary Hard Disk Drive in the UltraBay

### Note:

You can see the lamp on the secondary hard disk, which turns on when data in the secondary hard disk drive is accessed, through the diskette drive bezel.

- 7 Place the hard disk holder (with the hard disk drive attached) into the UltraBay. Press on the shaded area **1** as shown until the drive snaps into the connector; then replace the drive handle **2**.



- 8 Replace the battery pack.
- 9 Close the keyboard; then reconnect all cables.

You have completed the installation of the secondary hard disk drive.

## Installing an Option in the UltraBay

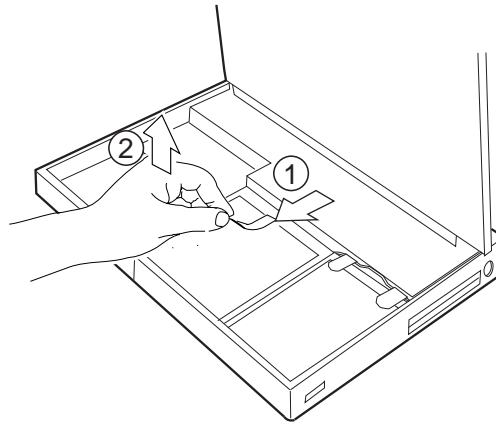
The diskette drive and the bezel (on the front of the computer) can be removed to install options in its place. Some options may require you to remove the option cover from the left side of the computer.

**Warning:**

To prevent damage to the diskette drive, make sure the AC Adapter is disconnected from the computer.

The diskette drive is a very delicate device that needs careful handling. Do not press on, drop, or apply any shock to the diskette drive while it is removed from the computer.

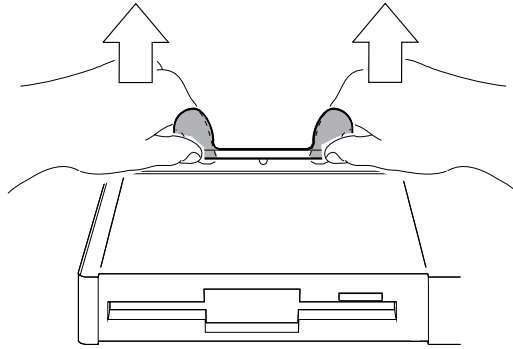
- 1** Turn off the computer; then disconnect the AC Adapter and all cables from the computer.
- 2** Open the LCD; then open the keyboard.
- 3** Remove the battery pack.



## Installing an Option in the UltraBay

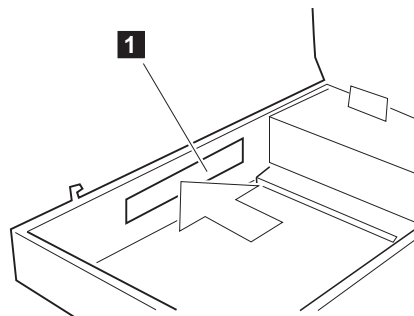
**4** Make sure that no diskette is in the drive.

**5** Lift the drive handle with the plastic tape, and remove the diskette drive.



**6** If the option you are installing has an option cover to be attached at the left side of the computer, do the following:

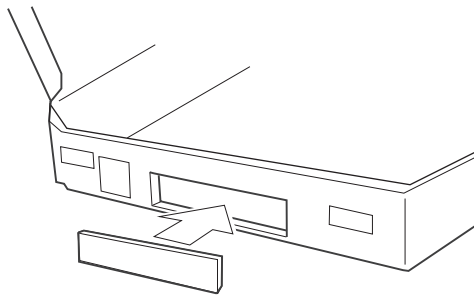
- a) Push the option cover **1** from the *inner side* of the computer to remove the option cover.





## Installing an Option in the UltraBay

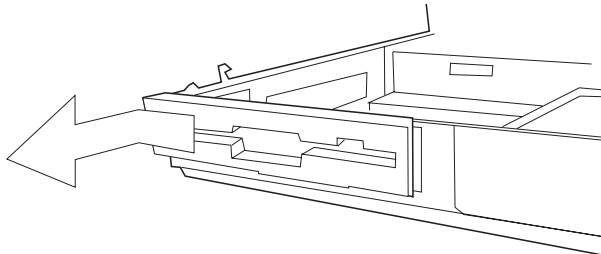
- b) Attach the *new* option cover that came with your option to the side of the computer.



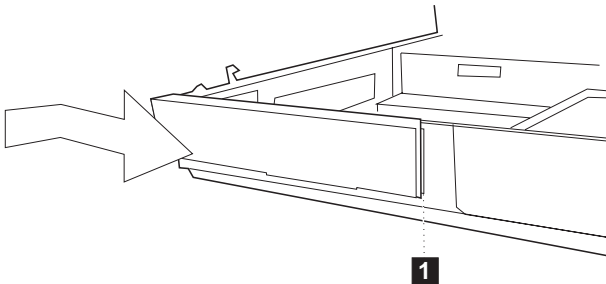
**Note:**  
Keep the diskette drive bezel for future use.

- 7** If the option you are installing has a front bezel, do the following:

- a) Slide the diskette drive bezel slightly to the left and remove it by pulling toward the front.



- b) Place the *new* front bezel that came with your option at the position 1 as shown and slide it to the right.




### *Installing an Option in the UltraBay*

- 8** Refer to the manual that came with the option to install your option in the UltraBay.
- 9** Replace the battery pack.
- 10** Close the keyboard and reconnect all cables.
- 11** If the option in the UltraBay requires power, turn power on in the ThinkPad Features program.



*If you are using OS/2 or Windows:*

- 1** Start the ThinkPad Features program.
- 2** Click on the **UltraBay** icon (  ) in the ThinkPad view; then set the power for the UltraBay.

*If you are using DOS, type PS2 IDE2 E at the command prompt.*

## Installing the DAA/Telephony Kit

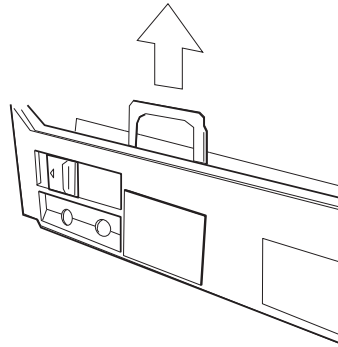
**Note:**

In some countries, the Mwave telephony functions are only available when the DAA/Telephony Kit option is installed.

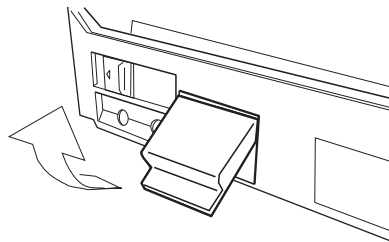
If the telephone connector on the left side of your computer is one with a square receptacle, the computer can be used for telephony or modem/fax functions without any changes. However, if a blank port cover and port cover are attached, you need to install the DAA/Telephony Kit option to use the Mwave telephony functions.

To attach the DAA/Telephony Kit:

- 1** Turn off the computer and open the keyboard.
- 2** Remove the metal port cover lock.



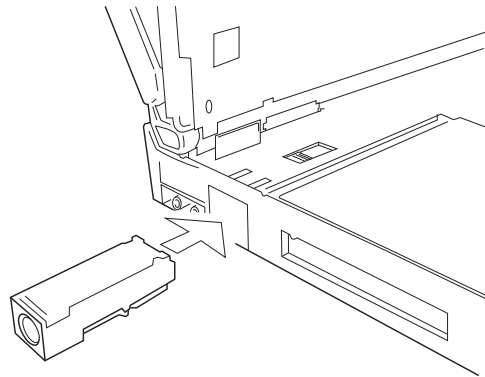
- 3** Remove the blank port cover on the left side of the computer from the lower portion.



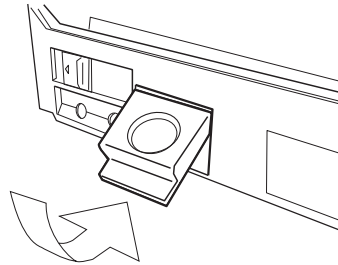
## Installing the DAA/Telephony Kit

**Warning:**  
Make sure that any locking device  
is unlocked.

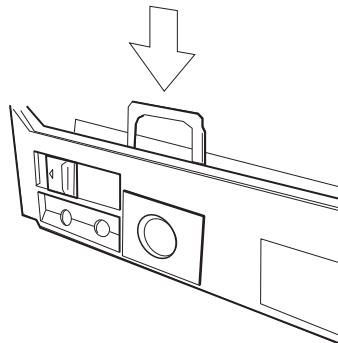
- 4 Install the plug with the round receptacle that came with your option kit. Firmly press it into the connector.



- 5 On the left side of the computer, install the port cover with the round opening that came with your option kit.



- 6 Install the metal port cover lock.



- 7 Close the keyboard.

## Installing the DAA/Telephony Kit

### 8 Connect the cables:



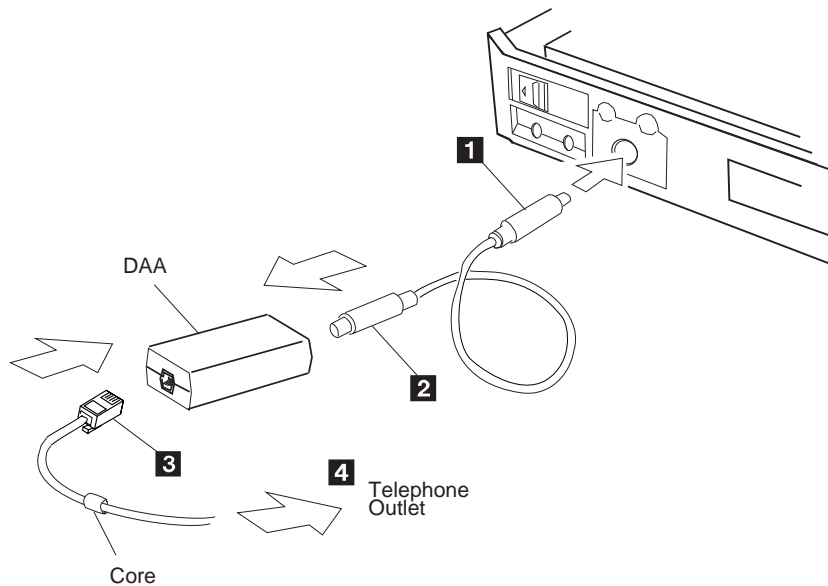
#### DANGER

To avoid shock hazard, do not connect the telephone cable to or disconnect it from the computer during electrical storms.

#### Note:

Both ends of the DAA interface cable are identical.

- Connect one end of the DAA interface cable 1 to the connector plug with the round receptacle.
- Connect the other end of the DAA interface cable 2 to the round receptacle on the DAA.
- Connect the ferrite-core end connector 3 of the telephone cable to the square receptacle on the DAA.
- Connect the other end of the telephone cable to the telephone outlet 4 on the wall.



### ***Installing the DAA/Telephony Kit***

After you have finished attaching the modem/fax port, install the necessary software by referring to the manual that came with the option kit.

Refer to “Using the Telephony Function” on page 78 for information about how to use the Mwave telephony features.

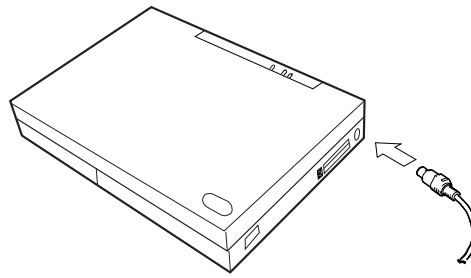
## Attaching an External Numeric Keypad or a Mouse

### Attaching an External Numeric Keypad or a Mouse

**Warning:**

When you connect a mouse other than an IBM PS/2 Miniature Mouse, turn off the computer.

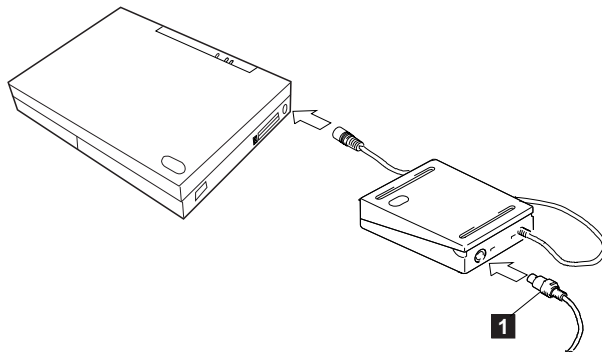
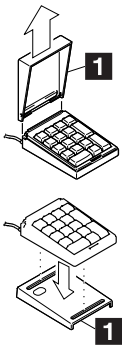
An external numeric keypad or a mouse can be attached directly to the connector on the right side of the computer. You can use both the IBM PS/2 Mouse and TrackPoint III as the pointing device.



**Note:**

You can remove the keypad cover 1 and use it as a stand for the keypad.

If you want to use the external numeric keypad and mouse at the same time, first connect the keypad cable to the computer; then connect the mouse cable 1 to the connector at the rear of the keypad.



## Attaching an External Numeric Keypad or a Mouse

### Using the Mouse and Other Pointing Devices

**Note:**

The appropriate software must have been installed already.

A serial mouse connected to the serial port or a device that is not compatible with the PS/2 Mouse can be connected to the external input-device connector. Some mouse types require the TrackPoint III to be disabled before you can use them. To disable the TrackPoint III:



With OS/2 or Windows:

- 1** Start the ThinkPad Features program.
- 2** Select **Setup**.
- 3** Select **Keyboard/Pointing Device**.
- 4** Find the TrackPoint; then click on **Disable** to disable the TrackPoint III.

These changes become effective when computer power is turned off and then on again.

#### Using the IBM ThinkPad Space Saver Keyboard

When using the IBM ThinkPad Space Saver Keyboard, **do not** install the device driver supplied with the Space Saver Keyboard. When the Space Saver Keyboard is used, the device driver on the computer's Utility Diskette automatically enables or disables the TrackPoint III of the computer when power is turned on.



## Attaching an External Keyboard

You can connect an external keyboard to your computer through the keyboard/mouse connector 1 (available separately as an option).

**Note:**

The computer enters suspend mode when the LCD is closed. If you want to use the computer with the LCD closed, set the suspend option in the ThinkPad Features program so the computer does not enter suspend mode when the LCD is closed.

The external keyboard must be connected through the keyboard/mouse connector. It will not work if it is connected directly to the computer.

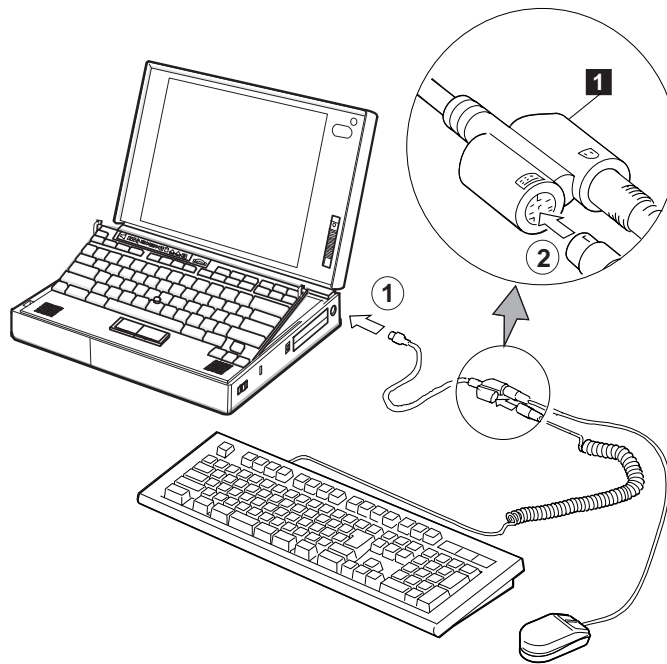
When the external keyboard is attached, the following keys are not available:

- Numeric keypad on the system keyboard
- External numeric keypad

ThinkPad Features program:

 Page 38.

When you attach the external keyboard, turn off the computer and then attach the keyboard/mouse connector and the external keyboard.



## Attaching and Replacing an External Display

# Attaching an External Display

**Note:**

When installing an operating system, you must install the display driver before you can use an external display.

The LCD of the computer can display information in SVGA mode (800-by-600 resolution) in 65 536 colors.

A maximum of 1024-by-768 resolution can be produced on any attached external display that supports the resolution mode.

To install the display driver:

 Page 179.

**Warning:**

**When you select Both, do not attach an external display that supports only VGA mode (640-by-480 resolution).**

**Otherwise, the external display screen will be scrambled and the output will not be displayed, or the screen might be damaged.**

To attach an external display:

- 1** Change the display mode to **CRT** or **Both**.  
(See “Changing the Display Mode” on page 171.)
- 2** Set your monitor type and display device driver.  
(See “Setting the Monitor Type and the Display Driver” on page 172.)
- 3** Attach the external display to the computer.  
(See “Connecting an External Display to the Computer” on page 173.)

## Changing the Display Mode

You can display information on the LCD, the external display, or both by using the following commands:



Using the **Fn** key function:

Press and hold the **Fn** key; then press the **F7** key. The output is displayed sequentially as follows:

```
External    Both
Display

LCD
```

Entering a PS2 command from the command prompt:

- Type `PS2 SC BOTH` to display information on both the LCD and external display.
- Type `PS2 SC CRT` to display information on the external display.
- Type `PS2 SC LCD` to display information on the LCD.



Using the ThinkPad Features program:

1. Start the ThinkPad Features program and select the **Display** icon.
2. Select:
  - **Both** to display information on both the LCD and external display.
  - **CRT** to display information on the external display.
  - **LCD** to display information on the LCD.
3. Click on the **OK** button.

## Attaching and Replacing an External Display

### Setting the Monitor Type and the Display Driver

Before attaching the external display to your computer, set the appropriate monitor type and device driver type as follows:



- 1** Start the ThinkPad Features program.
- 2** Select the **Display** icon.
- 3** Select the **Monitor**.
- 4** Select your display type from the Monitor Selection list, or click on the new resolution and VSYNC (refresh rate) from the list.
- 5** Click on **OK**.
- 6** Select **Device Driver**.
- 7** Click on the new resolution and colors; then click on **OK**.
- 8** Restart OS/2 or Windows to make the changes effective.

#### Note:

Refer to the specification of your external display about supported resolution and VSYNC.

#### Hints and Tips


When you are using OS/2 or Windows, the *virtual screen* function is available with the ThinkPad Features program. It is used to display a part of the high-resolution screen image that is produced by the computer. Other parts can be seen by moving the screen with the TrackPoint III or other pointing device.

## Connecting an External Display to the Computer

**Warning:**

Do not disconnect the external display while the computer is in suspend mode or hibernation mode. If no external display is attached when the computer resumes, the LCD will remain blank and the output will not be displayed. It does not depend on the resolution value.

To attach an external display to the computer:

- 1** Turn off the computer.
- 2** Attach the external display to the external display connector (  ) and to the electrical outlet.
- 3** Turn on the external display and the computer.

## Changing the Screen Resolution or Color Depth

To change the screen resolution or color depth of an external display:



*For OS/2 or Windows:*

- 1** Start the ThinkPad Features program.
- 2** Select the **Display** icon.
- 3** Select **Device Driver**.
- 4** Click on the new resolution and color depth; then click on **OK**.
- 5** Restart OS/2 or Windows to make the changes effective.

## Attaching and Replacing an External Display

The computer supports the following color depth and resolution on an attached SVGA display:

Color	Resolution
256 colors	640 by 480
	800 by 600
	1024 by 768
65 536 colors	640 by 480
	800 by 600
16 777 216 colors *	640 by 480

**Note:**

\* To use 16 777 216 colors, set the display mode to **CRT** only.

## Attaching an IBM Dock I or Dock II Expansion Unit

**Warning:**

Do not use the Utility Diskette that came with the IBM Dock II.

**Note:**

Before you dock the IBM Dock I or Dock II to the computer, see *Dock I User's Guide* or *Dock II User's Guide*.

**Warning:**

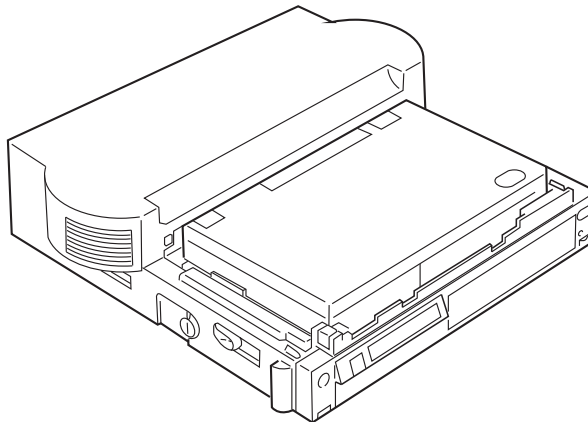
When setting up the Dock I or Dock II, avoid any hardware conflicts.

To avoid hardware conflicts:

 Page 243.


To expand your computer, you can use an IBM ThinkPad Dock I or Dock II expansion unit. Either unit offers you a portable multimedia environment: CD-ROM drive bay, stereo speakers, and adapter slots for various adapter cards.


The illustration shows the computer attached to the Dock II.



### Hints and Tips

When an IBM Dock I expansion unit is attached to the computer, you can adjust the sound volume by using the following key combinations:

When you press and hold **Fn** and then press **PgUp** () , the sound volume increases.

When you press and hold **Fn** and then press **PgDn** () , the sound volume decreases.

*Attaching an IBM Dock I or Dock II Expansion Unit*



## Chapter 7. Installing Software

---

This chapter provides information about the software installed in your computer and the procedures for installing the necessary device drivers when reinstalling an operating system.

What You Need for Your Computer	178
Installing the Operating System	180
Installing Software for OS/2	181
Installing IBM OS/2 Warp Version 3 or Later	181
Installing the ThinkPad Features Program for OS/2	184
Installing the PCMCIA Device Driver for OS/2	185
Installing the Mwave DSP Support Software for OS/2	186
Installing the Infrared Device Driver for OS/2	188
Installing the ThinkPad Display Device Driver for OS/2	190
Installing Software for DOS	191
Installing IBM PC DOS Version 7.0 or Later	191
Installing the ThinkPad Features Program for DOS	192
Installing the PCMCIA Device Driver for DOS	193
Installing the Mwave DSP Support Software for DOS	195
Installing Software for Windows	197
Installing Microsoft Windows Version 3.11 or Later	198
Installing the ThinkPad Features Program for Windows	202
Installing the PCMCIA Features for Windows	203
Installing the Mwave DSP Support Software for Windows	205
Installing the Infrared Device Driver for Windows	207
Installing the ThinkPad Display Driver for Windows	208

## *What You Need for Your Computer*

# What You Need for Your Computer

Your computer comes with the following software already installed:

- Mwave Device Driver
- IR Device Driver
- PCMCIA device driver
- PC Card Director program
- ThinkPad Features program
- ThinkPad display driver
- Online book

When reinstalling an operating system, you must install an operating system and the software listed above for your computer to operate as it did at the time of purchase. The online book, however, is available only at the time of purchase and no diskettes are available for reinstallation.

The PC Card client device driver is not part of the preinstalled software. Refer to the manual that came with the PC Card to install the device driver.

## What You Need for Your Computer

### Page numbers:

#### For OS/2:

- 1 Page 181.
- 2 Page 184.
- 3 Page 185.
- 4 Page 186.
- 5 Page 188.
- 6 Page 190.

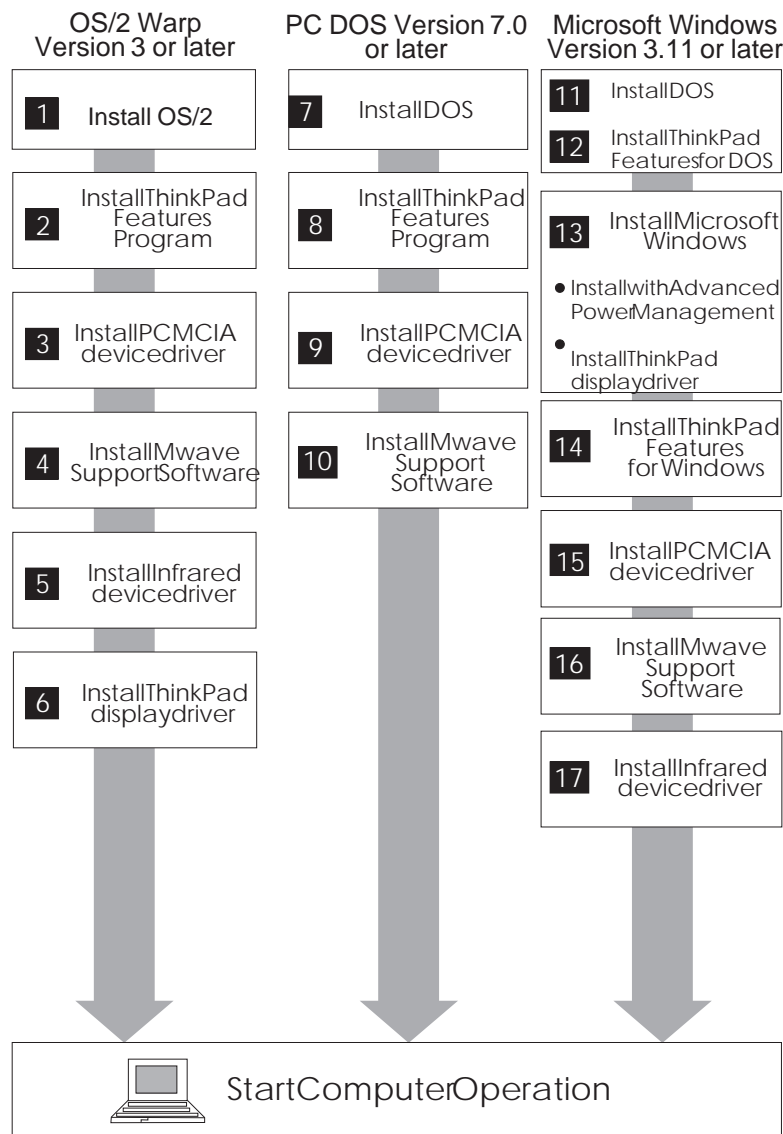
#### For DOS:

- 7 Page 191.
- 8 Page 192.
- 9 Page 193.
- 1 Page 195.

#### For Windows:

- 11 Page 191.
- 12 Page 192.
- 13 Page 198.
- 14 Page 202.
- 15 Page 203.
- 16 Page 205.
- 17 Page 207.

The following shows you what must be installed for each operating system before you can begin computer operation.



## Installing the Operating System

The operating systems supported by your computer are:

IBM Operating System/2 (OS/2) Warp Version 3 or later  
IBM PC DOS Version 7.0 or later  
Microsoft Windows 3.11 or later

### **Important**

If you will be installing Windows 3.11 or later, you **must** first do the following for Windows to operate correctly:

Install the ThinkPad display driver instead of the default device drivers that came with Windows.

When the Windows Setup program asks you to select either **Express Setup** or **Custom Setup**, select **C** for Custom Setup.

Refer to the appropriate section to install your operating system and its device drivers:

**If you are installing OS/2:** go to “Installing Software for OS/2” on page 181.

**If you are installing DOS:** go to “Installing Software for DOS” on page 191.

**If you are installing Windows:** go to “Installing Software for Windows” on page 197.



## **Installing Software for OS/2**

This section describes the installation procedures for OS/2 Warp Version 3 or later and its device drivers for your ThinkPad.

Your computer comes with the following software already installed at the time of purchase. When reinstalling OS/2 Warp Version 3 or later, install this software for your computer to work as it did:

- OS/2 Warp Version 3 or later
- ThinkPad Features program
- PCMCIA device driver
- Mwave DSP support software
- Infrared device driver
- ThinkPad display driver

## **Installing IBM OS/2 Warp Version 3 or Later**

Your installation of OS/2 Warp will differ, depending on whether you use the *Dual Boot* or the *Boot Manager* for switching between OS/2 Warp and DOS.

Which type are you going to use?

*Dual Boot*      Go to “Installing OS/2 Warp with Dual Boot” on page 182.

*Boot Manager*      Go to “Installing OS/2 Warp with the Boot Manager” on page 183.

## Installing IBM OS/2 Warp

### Installing OS/2 Warp with Dual Boot

When you install OS/2 Warp with Dual Boot, do the following before actually installing OS/2:

To install the DOS ThinkPad Features program:

 Page 192.

To install the Windows ThinkPad Features program:

 Page 202.

If DOS and Windows are not installed in the computer, install DOS and Windows, and the ThinkPad Features program for both DOS and Windows.

Install OS/2 Warp by referring to the documentation.

#### Note:

If you have the OS/2 Warp 3.0 FixPak WFP\_ (XR0W005), install it after you complete the installation of OS/2 Warp. Follow the instructions in the README.1ST file in diskette 1 of that FixPak.

Be sure to pay attention to the following during installation:

Select **VGA** as the **Primary Display** in the **System Configuration** screen.

Do not select the **PCMCIA Feature** in the **System Configuration** screen. Leave it as **No Support Installed**.

If you want to continue to install all device drivers, continue with "Installing the ThinkPad Features Program for OS/2" on page 184.

*Installing OS/2 Warp with the Boot Manager*

When you install OS/2 Warp with the Boot Manager:

- 1** Install the Boot Manager, referring to the OS/2 Warp documentation.
- 2** Install DOS and Windows, and the ThinkPad Features programs for both DOS and Windows.
- 3** Install OS/2 Warp by referring to the documentation.

Be sure to pay attention to the following during installation:


Select **VGA** as the **Primary Display** at the **System Configuration** screen.

Do not select the **PCMCIA Feature** at the **System Configuration** screen. Leave it as **No Support Installed**.

After OS/2 has been successfully installed, make sure you restart the computer.

If you want to continue to install all device drivers, continue with "Installing the ThinkPad Features Program for OS/2" on page 184.

To install the DOS ThinkPad Features program:

 Page 192.

To install the Windows ThinkPad Features program:

 Page 202.

**Note:**

If you have the OS/2 Warp 3.0 FixPak WFP\_ (XR0W005), install it after you complete the installation of OS/2 Warp. Follow the instructions in the README.1ST file in diskette 1 of that FixPak.

## Installing the ThinkPad Features Program for OS/2

### Installing the ThinkPad Features Program for OS/2

**Note:**

When installing an operating system, you need to install the ThinkPad Features program.

To install the ThinkPad Features program:

- 1** Turn on the computer and start OS/2.
- 2** Insert the Utility Diskette into the diskette drive.
- 3** Install the ThinkPad System Management device driver.
  - a) Open the System Setup folder in the OS/2 System folder.
  - b) Select **Device Driver Install**.
  - c) Click on the **Install...** button.
  - d) Click on **ThinkPad System Management Device Driver**; then click on **OK**.
- 4** Open the OS/2 full screen command prompt.
- 5** Go to the A: prompt and type **INSTALL2**; then press **Enter**.
- 6** Install the DOS ThinkPad Features program to use the PS2 commands.
  - a) Exit the OS/2 full screen; then open the DOS full screen.
  - b) Follow the instructions in "Installing the ThinkPad Features Program for DOS" on page 192.

**Note:**

To open the OS/2 full screen:

1. Select **OS/2 System**.
2. Select **Command Prompts**; then select **OS/2 Full Screen**.

**Note:**

To open the DOS full screen:

1. Select **OS/2 System**.
2. Select **Command Prompts**; then select **DOS Full Screen**.


You have completed the installation of the ThinkPad Features program.

If you want to continue to install all device drivers, continue with "Installing the PCMCIA Device Driver for OS/2" on page 185.



## Installing the PCMCIA Device Driver for OS/2

PC Card Director:

 Page 54.

When installing an operating system, you need to install the following device drivers and software associated with PCMCIA before you can use the PC Cards:

- Card Services device driver
- Socket Services device driver
- Resource Map Utility device driver
- PC Card Power Management device driver
- PC Card Director Utility
- PC Card client device drivers (only when PC Card Director does not support the PC Card)

To install the PCMCIA device driver:

- 1** Turn on the computer and start the operating system.
- 2** Insert the PC Card Director for OS/2 diskette into the diskette drive.
- 3** Open the OS/2 full screen command prompt.
- 4** Type `C:\>A:\PCMINST2` on the command line; then press **Enter**.
- 5** Follow the instructions on the screen.
- 6** Click on **OK** when you have completed the installation.
- 7** After the installation is complete, close all applications, remove the diskette from the diskette drive, and restart the system.

**Note:**

Whenever you update the CONFIG.SYS file, refer to “Adding to the CONFIG.SYS File” on page 253.

You have completed the installation of the PCMCIA device driver for OS/2.

If you want to continue to install all device drivers, continue with “Installing the Mwave DSP Support Software for OS/2” on page 186.

## Installing the Mwave DSP Support Software for OS/2

**Note:**

When installing an operating system, you need to install the Mwave DSP support software.

If you have multiple operating systems, you might need to install multiple versions of the Mwave DSP support software. For example, to enable OS/2 and Windows applications for Mwave functions, two separate Mwave DSP support software installations are required: one for OS/2 and one for Windows.

The Mwave DSP support software is supplied in the Mwave DSP Features Diskettes or in the hard disk drive of your computer.

*If the Mwave DSP Features Diskettes were not supplied with your computer, the support software is contained on the hard disk drive. See the READ.ME file in the root directory of the hard disk to install the Mwave DSP support software.*

*If the Mwave DSP Features Diskettes were supplied with your computer, install the Mwave DSP support software as follows:*

- 1** Turn on the computer; then start OS/2.
- 2** Open the OS/2 full screen command prompt.
- 3** Insert the Mwave DSP Features Diskette 1 for OS/2 into the diskette drive.
- 4** Type `A:SETUP`; then press **Enter**.  
The installation window appears on the screen.
- 5** Follow the instructions on the screen.
- 6** Restart OS/2 to make the Mwave features effective.
- 7** Install Mwave MMPM audio support software as follows:
  - a) Insert the Mwave DSP Features Diskette for OS/2 Audio into the diskette drive.
  - b) Type `A:SETUP` at the command prompt; then press **Enter**.
  - c) Follow the instructions on the screen.

## *Installing Mwave DSP Support Software for OS/2*

- 8** After the installation is complete, remove any diskette from the diskette drive; then restart OS/2 to activate the Mwave DSP support software.

You have completed the installation of the Mwave DSP support software for OS/2.

### **When You Use the WIN-OS/2 Environment**

If you use the Mwave functions in WIN-OS/2:

1. Install the Mwave DSP support software for Windows in a full screen WIN-OS/2 environment with the procedure on page 205.
2. Check your **WIN-OS/2 Settings** and modify them as follows, referring to your OS/2 manuals:

**WIN\_RUN\_MODE:** 3.1 Enhanced Compatibility  
**HW\_TIMER:** ON  
**INT\_DURING\_IO:** ON  
**DOS\_BACKGROUND\_EXECUTION:** ON

You have completed the installation of the Mwave DSP support software.

If you want to continue to install all device drivers, continue with "Installing the Infrared Device Driver for OS/2" on page 188.

## Installing Infrared Device Driver for OS/2

### Installing the Infrared Device Driver for OS/2

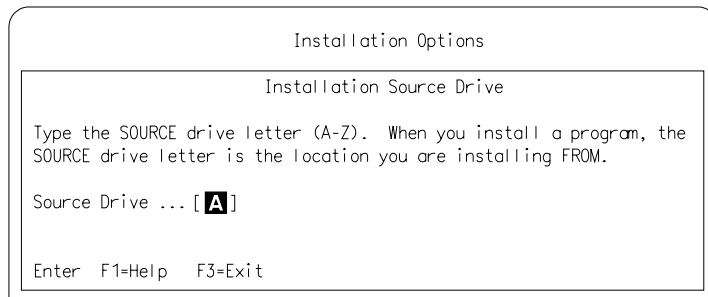
**Note:**

When installing an operating system, you need to install the Infrared device driver.

To install the infrared device driver:

- 1** Turn on the computer and start OS/2.
- 2** If you have not installed DOS and WIN-OS2 support for OS/2, install it by referring to your operating system documents.
- 3** Go to the DOS command prompt.
- 4** Insert the Infrared Features diskette into the diskette drive.
- 5** Type `A:UINSTALL` and press **Enter**.

The following screen appears:



- 6** Press **Enter**; then follow the instructions on the screen.  
Select **Install WIN-OS/2 ThinkPad Infrared Driver** when you are asked.

You have completed the installation of the Infrared device driver.

## *Installing Infrared Device Driver for OS/2*

### **Starting TranXit or Other Infrared Applications**

If you are going to start TranXit or any other infrared applications that use the ThinkPad infrared device driver from:

The Program Manager window, do the following:

1. Click on the Program Manager object in the **Windows Programs** folder or the **WIN-OS2** (full screen or window) object in the **Command Prompts** folder with the right mouse button.
2. Select **Settings, Session**, and then **WIN-OS/2 Settings**.
3. Modify the following setting as shown:

**COM\_DIRECT\_ACCESS**    ON

A separate object that you have created for the infrared application, do the following:

1. Click on the object with the right mouse button.
2. Select **Settings, Session**, and then check **Separate Session**.
3. Select **WIN-OS/2 Settings** and modify the following setting as shown:

**COM\_DIRECT\_ACCESS**    ON

If you want to continue to install all device drivers, continue installation with "Installing the ThinkPad Display Device Driver for OS/2" on page 190.

## Installing the ThinkPad Display Device Driver for OS/2

**Note:**

When installing an operating system, you need to install the ThinkPad display device driver.

The display driver enables you to use screen resolutions from 640 by 480 to 1024 by 768 and colors from 256 to 16 million for the LCD and external display. (See page 173 for possible combinations of resolution and color.) The display driver also takes advantage of the computer's video capability.

ThinkPad Features:

 Page 38.

### Before Installation

Before you begin installing the display driver, set the display device mode to *LCD*: select the **Display** icon and then **LCD** in the ThinkPad Features program; or at the command prompt, type **PS2 SC LCD** and press **Enter**.

To install the ThinkPad display device driver:

- 1** Start OS/2.
- 2** Insert the ThinkPad Video Features Diskette for OS/2 into the diskette drive.
- 3** Open the OS/2 full screen or OS/2 window.
- 4** Go to the `A:` prompt; then type `INSTALL` and press **Enter**.  
`A:>INSTALL`
- 5** Follow the instructions on the screen.
- 6** After the installation is complete, remove the diskette, shut down OS/2, and restart the system.

You have completed the installation of the display driver for OS/2.

## **DOS** Installing Software for DOS

This section describes the installation procedures for DOS Version 7.0 or later and its device drivers for your ThinkPad.

Your computer comes with the following software already installed at the time of purchase. When reinstalling DOS Version 7.0 or later, install this software for your computer to work as it did:

- DOS Version 7.0 or later
- ThinkPad Features program
- PCMCIA device driver
- Mwave support software

### **Installing IBM PC DOS Version 7.0 or Later**

Follow the instructions in the operating-system documentation. If you also are installing Microsoft Windows 3.11 or later, go to “Installing Microsoft Windows Version 3.11 or Later” on page 198. Otherwise, if you want to continue to install all device drivers, continue with the ThinkPad Features program.

## Installing ThinkPad Features Program for DOS

### Installing the ThinkPad Features Program for DOS

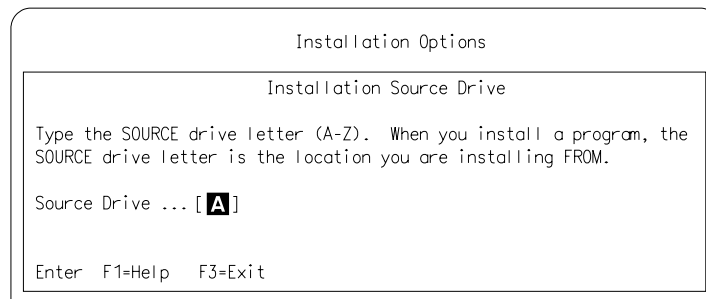
**Note:**

When installing an operating system, you need to install the ThinkPad Features program.

Do the following to install the ThinkPad Features program:

- 1 Turn on the computer.
- 2 Insert the Utility Diskette into the diskette drive; then type `A:UINSTALL` at the DOS prompt and press **Enter**.

The following screen appears:



- 3 Press **Enter**.
- 4 Select **Install DOS ThinkPad Features and Fuel-Gauge Program** from the Installation Options menu; then follow the instructions on the screen.

You have completed the installation of the ThinkPad Features program.

If you want to continue to install all device drivers, continue with the PCMCIA device driver.



## Installing the PCMCIA Device Driver for DOS

**Note:**

Do not install Phoenix\*\* PCMCIA support in IBM PC DOS 7.0.

PC Card Director:

 Page 54.

When installing an operating system, you need to install the following device drivers and software associated with PCMCIA before you can use the PC Cards:

- Card Services device driver
- Socket Services device driver
- Resource Map Utility device driver
- PC Card Power Management device driver
- PC Card Director Utility
- PC Card client device drivers (only when PC Card Director does not support the PC Card)

To install the PCMCIA device driver:

- 1** Turn on the computer and start the operating system; then insert the PC Card Director for DOS/Windows diskette into the diskette drive.
- 2** Type `C:\>A:`; then press **Enter** to go to the A: prompt.
- 3** Type `A:\>PCMCINSTD`; then press **Enter**.

The following screen appears:

```
Installation Options
Type the SOURCE drive letter (A-Z). When you install a program, the SOURCE
drive letter is the location you are installing FROM.

Source Drive ...[A]

Enter      F1=Help  F3=Exit
```

## *Installing PCMCIA Device Driver for DOS*

**4** Press **Enter**.

**5** Press **Enter** again when the confirmation message appears.

The Installation Options menu appears.

**6** Follow the instructions on the screen.

**7** After the installation is complete, close all applications and remove the diskette from the diskette drive.

**Note:**

Whenever you update the CONFIG.SYS file, see page 253.

You have completed the installation of the PCMCIA device driver for DOS.

If you want to continue to install all device drivers, continue with the Mwave DSP support software.

## Installing the Mwave DSP Support Software for DOS

**Note:**

When installing an operating system, you need to install the Mwave DSP support software.

If you have multiple operating systems, you might need to install the Mwave DSP support software for each operating system. For example, to enable DOS and Windows applications for Mwave functions, two separate Mwave DSP support software installations are required: one for DOS and one for Windows.

The Mwave DSP support software is supplied in the Mwave DSP Features Diskettes or on the hard disk drive of your computer.

*If the Mwave DSP Features Diskettes were not supplied with your computer, the support software is contained on the hard disk drive. See the READ.ME file in the root directory of the hard disk to install the Mwave DSP support software.*

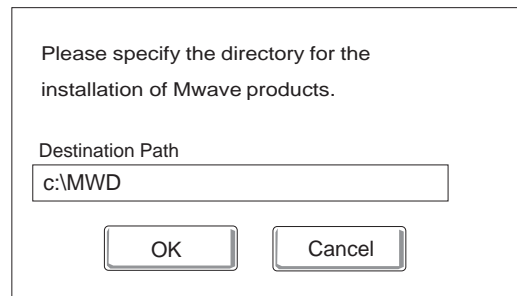
*If the Mwave DSP Features Diskettes were supplied with your computer, install the Mwave DSP support software as follows:*

- 1** Turn on the computer.
- 2** Insert the Mwave DSP Features Diskette 1 for DOS into the diskette drive.

### *Installing Mwave DSP Support Software for DOS*

- 3** At the command prompt, type `A : INSTALL`; then press **Enter**.

The following screen, which enables you to specify the directory location of Mwave DSP support software, appears:



Please specify the directory for the installation of Mwave products.

Destination Path

c:\MWD

OK Cancel

- 4** If this directory is acceptable, press **Enter**. Otherwise, type the directory name; then press **Enter**.
- 5** Follow the instructions on the screen.
- 6** After the installation is complete, remove any diskette from the diskette drive; then restart DOS to activate the Mwave DSP support software.

You have completed the installation of the Mwave DSP support software for DOS.



## Installing Software for Windows

This section describes the installation procedures for Windows Version 3.11 or later and its device drivers for your ThinkPad.

Your computer comes with the following software already installed at the time of purchase. When reinstalling Windows Version 3.11 or later, install this software for your computer to work as it did:

- DOS Version 7.0 or later
- ThinkPad Features program for DOS
- Windows Version 3.11 or later
- ThinkPad display driver
- ThinkPad Features program
- PCMCIA device driver
- Mwave support software
- Infrared device driver

### **Important**

If you will be installing Windows 3.11 or later, you *must* first do the following for Windows to operate correctly:

When the Windows Setup program asks you to select either **Express Setup** or **Custom Setup**, select **C** for Custom Setup.

Install the ThinkPad display driver instead of the default device drivers that came with Windows.

## Installing Microsoft Windows Version 3.11 or Later

Windows operates in a DOS environment. Install the following before installing Windows:

DOS Version 7.0 or later (see your DOS manuals)  
ThinkPad Features for DOS (see page 192)

### Important

Before you install Windows Version 3.11 or later, you **must** do the following for Windows to operate correctly:

When the Windows Setup program asks you to select either **Express Setup** or **Custom Setup**, select **C** for Custom Setup.

Install the ThinkPad display driver instead of the default device drivers that came with Windows.

Do the following to install Windows Version 3.11 or later with Advanced Power Management (APM) and the ThinkPad display driver.

- 1** Turn on the computer.
- 2** Install Windows Version 3.11 or later *with* the APM option:

### Important

When the Windows Setup program asks you to select **Express Setup** or **Custom Setup**, type **C** for **Custom Setup**.

- a) Start the installation as specified in the Windows manual.

## Installing Microsoft Windows

### Note:

If you have installed OS/2, the path to install Windows may have changed to C:\OS2\MDOS\WINOS2 (C is the drive on which you installed OS/2). If so, change the path to:

C:\WINDOWS

- b) When the Windows Setup program asks you to select **Express Setup** or **Custom Setup**, type **C** for **Custom Setup**.
- c) Continue installing Windows Version 3.11 until the following screen appears.

```
Windows Setup
=====
```

Setup has determined that your system includes the following hardware and software components. If your computer or network appears on the Hardware Compatibility List with an asterisk, press F1 for Help.

```
Computer:      MS-DOS System
Display:       VGA
Mouse:         Microsoft, or IBM PS/2
```

- d) Using the Up Arrow (↑), highlight **MS-DOS System** and press **Enter**.
- e) Using the Down Arrow (↓), highlight **MS-DOS System with APM** and press **Enter**.

Verify that **Computer** has changed to **MS-DOS System with APM** as shown below. If the item has not changed, return to step 2d.

```
Windows Setup
=====
```

Setup has determined that your system includes the following hardware and software components. If your computer or network appears on the Hardware Compatibility List with an asterisk, press F1 for Help.

```
Computer:      MS-DOS System with APM
Display:       VGA
Mouse:         Microsoft, or IBM PS/2
```

## Installing Microsoft Windows

- 3 When you have completed the installation of Windows Version 3.11, edit the AUTOEXEC.BAT file so that the computer will use the correct mouse driver.

When Windows Version 3.11 is installed, the computer is automatically configured to use the MOUSE.COM driver provided by Windows Version 3.11. However, for correct operation, your computer must use the MOUSE.COM driver that came with DOS.

- a) At the DOS command prompt (usually C:\>), type  
E\AUTOEXEC.BAT and press **Enter**.
- b) Find the line: C:\WINDOWS\MOUSE.COM /Y
- c) Change it to: C:\DOS\MOUSE.COM /Y
- d) Save the file and restart the system.

### Note:

You can change the display resolution type by using the ThinkPad Features program after completing the installation.

- 4 Select your display resolution type:

- a) Using the Up Arrow (↑), highlight **Display** and press **Enter**.
- b) Select **Other (Requires disk...)** from the menu.
- c) Insert the Video Features Diskette for Windows 3.1 into the diskette drive; then type A: and press **Enter**.
- d) Select your desired resolution from the menu and press **Enter**.

Verify that **Display** has changed to your desired resolution type (an example is shown in the following screen). If the item has not changed, return to step 4a.



## ***Installing Microsoft Windows***

```
Windows Setup
=====
```

```
Setup has determined that your system includes the following hardware
and software components. If your computer or network appears on the
Hardware Compatibility List with an asterisk, press F1 for Help.
```

```
Computer:      MS-DOS System with APM
Display:       Cyber932 8 x6 256 small font
Mouse:         Microsoft, or IBM PS/2
```

- e) Press **Enter** to continue the installation.
- f) Restart the system.

When you start Windows from the DOS prompt, do not close the LCD while the program is loading; if you do, the computer will stop running.

If you want to continue to install all device drivers, continue with “Installing the ThinkPad Features Program for Windows” on page 202.

## Installing ThinkPad Features Program for Windows

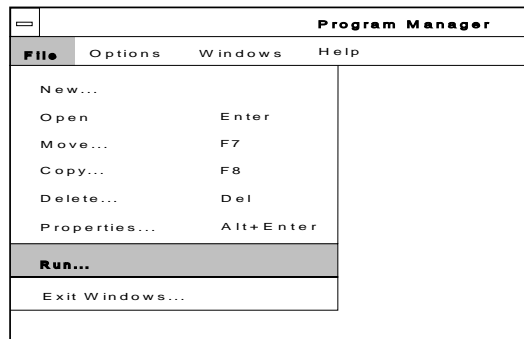
### Installing the ThinkPad Features Program for Windows

**Note:**

When installing an operating system, you need to install the ThinkPad Features program.

If you are going to use Windows, install the ThinkPad Features program for DOS first (see page 192); then do the following to install the ThinkPad Features program for Windows:

- 1 Turn on the computer and start Windows.
- 2 Select **File** from the Program Manager window; then select **Run...** from the pull-down menu.



- 3 Insert the Utility Diskette into the diskette drive.
- 4 Type `A:\INSTALLW` and press **Enter**.

You have completed the installation of the ThinkPad Features program.

If you want to continue to install all device drivers, continue with "Installing the PCMCIA Features for Windows" on page 203.

## Installing the PCMCIA Features for Windows

**Note:**

When installing an operating system, you need to install the PCMCIA device driver.

The PCMCIA device driver for Windows must be installed with Windows 3.11 or a later version with enhanced mode. Otherwise, it cannot be installed.

You must install the following device drivers and software associated with PCMCIA before you can use the PC Cards:

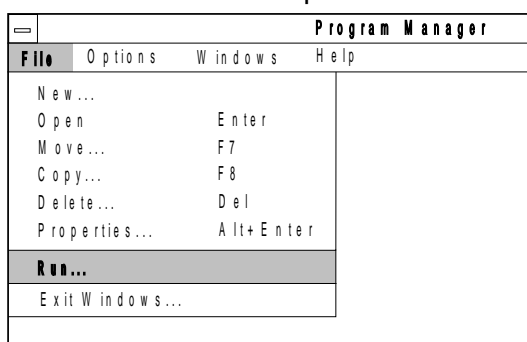
- Card Services device driver
- Socket Services device driver
- Resource Map Utility device driver
- PC Card Power Management device driver
- PC Card Director Utility
- PC Card client device drivers (only when PC Card Director does not support the PC Card)

PC Card Director:



To install the PCMCIA device driver:

- 1 Turn on the computer and start the operating system.
- 2 Select **File** from the Program Manager window; then select **Run...** from the pull-down menu.



- 3 Insert the PC Card Director for DOS/Windows diskette into the diskette drive.
- 4 Type **A:PCMINSTW** and press **Enter**.  
When the dialog box for the installation program appears, click on **OK**.
- 5 Follow the instructions on the screen to complete the installation.

### *Installing PCMCIA Features for Windows*

- 6** After the installation is complete, remove the diskette from the diskette drive; then restart the computer.

You have completed the installation of the PCMCIA device driver for Windows.

If you want to continue to install all device drivers, continue with "Installing the Mwave DSP Support Software for Windows" on page 205.

## Installing the Mwave DSP Support Software for Windows

**Note:**

When installing an operating system, you need to install the Mwave DSP support software.

If you have multiple operating systems, you might need to install the Mwave DSP support software for each operating system. For example, to enable DOS and Windows applications for Mwave functions, two separate Mwave DSP support software installations are required: one for DOS and one for Windows.

The Mwave DSP support software is supplied in the Mwave DSP Features Diskettes or on the hard disk drive of your computer.

*If the Mwave DSP Features Diskettes were not supplied with your computer, the support software is contained on the hard disk drive. See the READ.ME file in the root directory of the hard disk to install the Mwave DSP support software.*

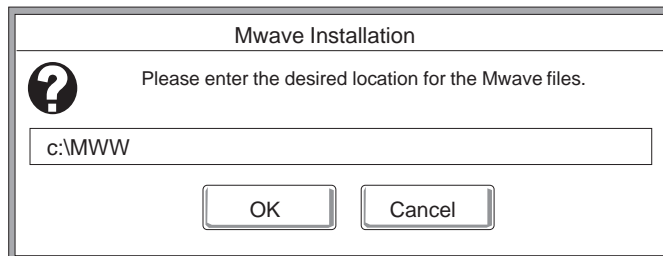
*If the Mwave DSP Features Diskettes were supplied with your computer, install the Mwave DSP support software and MIDI sample files (if this is your first installation) as follows:*

**Warning:**

Before you install the Mwave DSP support software, close all open applications.

- 1** Turn on the computer; then start Windows.
- 2** Select **File** from the Program Manager window; then select **Run...** from the pull-down menu.
- 3** Insert the Mwave DSP Features Diskette 1 for Windows into the diskette drive.
- 4** Type **A:SETUP**; then press **Enter**.

The following screen, which enables you to specify the directory location of Mwave DSP support software, appears:



### *Installing Mwave DSP Support Software for Windows*

- 5** If the directory is acceptable, press **Enter**. Otherwise, type the directory name; then press **Enter**.
- 6** Follow the instructions on the screen.
- 7** After the installation is complete, remove any diskette from the diskette drive; then restart Windows to activate the Mwave DSP support software.

If this is your first time to install the Mwave DSP Support Software, also install the MIDI sample files as follows:

- 8** Follow the same procedures from step 2 to step 7 on page 206; however, this time use the Mwave DSP Features Diskette 1 for MIDI (for Windows) instead of the Mwave DSP Features Diskette 1 for Windows.

You have completed the installation of the Mwave DSP support software for Windows.

If you want to continue to install all device drivers, continue with "Installing the Infrared Device Driver for Windows" on page 207.

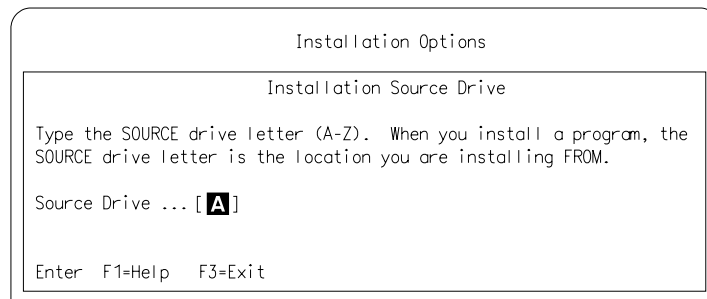
## Installing the Infrared Device Driver for Windows

**Note:**

When installing an operating system, you need to install the Infrared device driver.

- 1** Turn on the computer; then go to the DOS command prompt.
- 2** Insert the Infrared Features diskette into the diskette drive.
- 3** Type `A:UINSTALL` and press **Enter**.

The following screen appears:



- 4** Press **Enter**; then follow the instructions on the screen.

Select **Install Windows ThinkPad Infrared Driver** when you are asked.

You have completed the installation of the Infrared device driver for Windows.

## Installing the ThinkPad Display Driver for Windows

If you did not install the display driver when Windows was installed (by following the procedures on page 198), you must install the ThinkPad display device driver. The display driver enables you to use screen resolutions from 640 by 480 to 1024 by 768 and colors from 256 to 16 million for the LCD and external display. (See page 173 for possible combinations of resolution and color.)

The display driver also takes advantage of the computer's video capability.

### Before installation

Before you begin installing the display driver, set the display device mode to *LCD*: select the **Display** icon and then **LCD** in the ThinkPad Features program; or at the command prompt, type **PS2 SC LCD** and press **Enter**.

To install the ThinkPad device driver:

- 1** Turn on the computer.
- 2** If Windows is running on your computer, exit Windows and switch to the DOS prompt.
- 3** Go to the Windows subdirectory and type *SETUP*; then press **Enter**.
- 4** Select **Display** from the Windows Setup menu; then select **Other (Requires disk...)**.
- 5** Insert the Video Features Diskette for Windows 3.1 into the diskette drive; then type *A:\* and press **Enter**.
- 6** Select your desired resolution from the menu and press **Enter**. Follow the instructions on the screen.

You have completed the installation of the display driver for Windows.

### Note:

To exit Windows:

1. Double-click the Control Menu box in the upper left corner of the Program Manager window.
2. Click on the OK button to exit Windows.



## Chapter 8. Solving Computer Problems

---

Computer problems can be caused by software, hardware, or both. You can diagnose and solve many problems with the assistance of the self-tests and system programs contained in *Easy-Setup*. If a hardware problem is detected by the self-tests, an error message is displayed.

The system programs can identify a problem or provide information for the service representative. Make a note of all error codes and give them to the service representative when you call for service. If the system programs cannot be loaded, the troubleshooting charts and other information will help you determine what corrective action to take.

### Important

Use this chapter to test only *IBM* products. Non-*IBM* products can cause misleading error information or incorrect computer responses. When testing non-*IBM* products, refer to the instructions supplied with those products.

Commonly Asked Questions and Problems . . . . .	211
Common Problems and Actions . . . . .	211
Frequently Asked Questions and Answers . . . . .	214
Testing the Computer . . . . .	215
Troubleshooting Charts . . . . .	217
Error Codes . . . . .	217
LCD Problems . . . . .	219
Screen Messages . . . . .	221
Other General Problems . . . . .	222
What If Testing Cannot Find the Problem? . . . . .	224
Battery Power Problems . . . . .	224
Diskette Drive Problems . . . . .	225
External Display Problems . . . . .	226
Hibernation Problems . . . . .	227
Infrared Communication Problems . . . . .	227
Keyboard, External Numeric Keypad, and Pointing Device Problems . . . . .	229
Mwave DSP Feature Problems . . . . .	230

## ***What If Your Computer Does Not Work?***

Option Problems . . . . .	232
PC Card Problems . . . . .	233
Printer Problems . . . . .	234
Software Problems . . . . .	235
Getting Service . . . . .	236
Listing Installed Options . . . . .	237
Recording Identification Numbers . . . . .	237
The IBM HelpClub: Another Great Choice (in the U.S.A.) . . . . .	238
Voice Technical Support . . . . .	238
Online Housecall . . . . .	238
ThinkPad EasyServ . . . . .	238
International Warranty Service . . . . .	238
Electronic Support Services . . . . .	238
Ordering Information . . . . .	239
The IBM HelpClub: Another Great Choice (for European Countries) . . . . .	240
Yours for a free trial period: . . . . .	240
Join the HelpClub! . . . . .	241

## Commonly Asked Questions and Problems

This section provides:

- Common problems and their corresponding actions.
- Frequently asked questions and their answers.

### Common Problems and Actions

Problems	Actions
My <b>modem</b> application does not work with the Mwave modem.	Verify that:  Your application is using <b>COM2</b> as a communication port. COM2 is assigned to the Mwave modem as a default.  Your application's <b>modem type</b> is set to one of the following: <ul style="list-style-type: none"><li>– Mwave modem</li><li>– Generic Hayes-type modem</li><li>– Hayes SmartModem 2400</li><li>– Hayes modem</li><li>– Hayes-compatible modem</li></ul> For more information: <ul style="list-style-type: none"><li>– <i>For OS/2 or Windows</i>, double-click on the <b>Read me</b> icon.</li><li>– <i>For DOS</i>, see the README.TXT file in the MWD subdirectory.</li></ul>
My <b>modem</b> application does not work with the PC Card modem.	If the PC Card Director shows the PC Card modem status "Ready," add the following option switch in the CONFIG.SYS file:  <i>For DOS:</i> <pre>IBMDSS 1.SYS /IO =x (or /IO1=x)</pre> <i>For OS/2:</i> <pre>IBM2SS 1.SYS /IO =x (or /IO1=x)</pre> <b>Note:</b> <i>x</i> shows the PCMCIA slot number (1, 2, or 12) on the computer and "/IO1=" shows the slot number on a Dock I, Dock II, or port replicator that is attached to the computer.

## What If Your Computer Does Not Work?

Problems	Actions
My <b>PC Card modem</b> does not work.	<p>Your computer is equipped with a built-in Mwave modem. If you want to use the PC Card modem instead of the Mwave modem, you need to release a communications port (COM port) for the PC Card modem. Do the following:</p> <p><i>For OS/2 or Windows</i>, start the <b>ThinkPad Setup</b> program and release a COM port for your PC Card modem by:</p> <ul style="list-style-type: none"><li>– Disabling the <b>InfraRed Device</b> in the <b>Infrared</b> section.</li><li>– Disabling the <b>Telephony Function</b> in the <b>DSP</b> section.</li><li>– Changing the COM port for the <b>Telephony Function</b> from <b>COM2</b> to <b>COM1</b>.</li></ul> <p>See page 38 to use the ThinkPad Setup program.</p> <p><i>For DOS</i>, use the PS2 command to disable the telephony function or infrared port to release a COM port for the PC Card modem.</p> <p>For more information or the latest tips, refer to:</p> <ul style="list-style-type: none"><li>– PC Card Problems on page 233</li><li>– READ.ME file and PCMCIA.CRD file in the THINKPAD subdirectory of the computer</li></ul>
I cannot use PC Cards other than the IBM ones in the OS/2 Warp environment.	<p>If you do not have the PC Card device driver for OS/2 but you have one for DOS, your PC Card may run in the VDM (virtual DOS machine) environment. Refer to the "Virtual Card Services for OS/2" in the <i>OS/2 Warp User's Guide</i> for setting the VDM and the sample configuration files on the PCMCIA Device Driver Diskette for OS/2. (If the PCMCIA Device Driver Diskette for OS/2 did not come with the computer, create it using the Diskette Factory program.)</p>
My computer does not show as good performance as I expected.	<p>Performance varies depending on your hardware and software configurations such as memory size, swapper file size, or smart drive settings.</p>
<b>Error 2XX</b> appears (memory error).	<p>Make sure your memory card is correctly installed.</p>

## What If Your Computer Does Not Work?

Problems	Actions
A <b>memory shortage or memory error</b> occurs.	<p><i>When you are using DOS</i>, it is recommended that you use the DOS command <code>MEM /C</code> to review your DOS memory usage occasionally. And then:</p> <ul style="list-style-type: none"><li>– Unload any unnecessary drivers from the <code>CONFIG.SYS</code> file. (For example, unload printer drivers if you do not use a printer.)</li><li>– Reconfigure the UMB (upper memory block) using the <code>DEVICEHIGH</code> statement.</li><li>– Use the multiple configuration setup for DOS (refer to the documents supplied with DOS).</li></ul> <p><i>When you are using Windows:</i></p> <ul style="list-style-type: none"><li>– Try the same actions as described for DOS.</li><li>– Unload any unnecessary programs from the <code>WIN.INI</code> file (for example, <code>FUELWIN</code> for AC operations, <code>LRGPTR</code> for large cursor, and so on.)</li></ul>
The <b>external display</b> screen is blank.	<p>Do the following:</p> <p>Make sure the display mode parameter of the ThinkPad Features program is set to <b>CRT</b> or <b>Both</b>.</p> <p>In the ThinkPad Features program, set the computer not to enter suspend mode when the LCD is closed.</p>
The computer does <b>not resume from suspend mode</b> , or the suspend lamp stays on and the computer does not work.	<p>The computer automatically enters suspend or hibernation mode when the battery pack is empty. Do one of the following:</p> <ul style="list-style-type: none"><li>– Replace the battery pack with a fully charged one.</li><li>– Connect the AC Adapter to the computer.</li></ul>
The computer does <b>not enter suspend or hibernation mode</b> .	<p>Verify that:</p> <ul style="list-style-type: none"><li>– If the computer is attached to Dock I, suspend mode is disabled.</li><li>– If the computer is attached to Dock II, open the Docking Control utility and verify suspend and hibernation are not disabled. If either is disabled, enable it.</li><li>– If the AC Adapter is used and the computer is communicating, suspend and hibernation modes are disabled. (See page 103.)</li></ul>
When using Windows, the <b>cursor does not move</b> after normal operation is resumed from one of the power-saving modes.	<p>Make sure you have installed Windows with the APM option by following the procedures on page 198.</p>

## *What If Your Computer Does Not Work?*

### Frequently Asked Questions and Answers

Questions	Answers
How can I expand my hard disk space?	Most of the preloaded applications provide a way to delete and free hard disk space. Check whether or not the application you want to delete has its own delete icon.
How can I expand my memory?	See answers to memory questions on page 213.
How can I get diskettes for operating systems or device drivers?	<p>You can create the operating systems diskettes or device driver diskettes by using the Diskette Factory program or any other backup programs. If you cannot use Diskette Factory program, do the following:</p> <p>In the U.S., Access the IBM PC Company BBS (see "Electronic Support Services" on page 238 to get a telephone number) to get the latest versions of device drivers diskettes.</p> <p>Purchase the operating systems diskettes or device drivers diskettes. Contact your IBM dealer or IBM marketing representative. (See page 238 or page 240 for IBM HelpClub information.)</p>
How can I resolve any resource conflicts (for IRQ, COM port, and other settings) that have occurred after installing a new option or a new application?	See page 243 to get information about any hardware resources already used by devices in the computer.

## Testing the Computer

The following shows a basic way to test the computer:

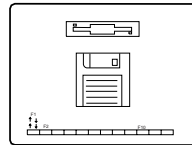
### 1 Turn on the computer.

The power-on self-test (POST) runs automatically. If the test ends without detecting an error, one of the following occurs:

The operating system or application screen appears.

A password prompt appears on the screen, if a password has been set. Type the correct password and press **Enter**.

The **Diskette** and **F1** prompts (shown below) appear.



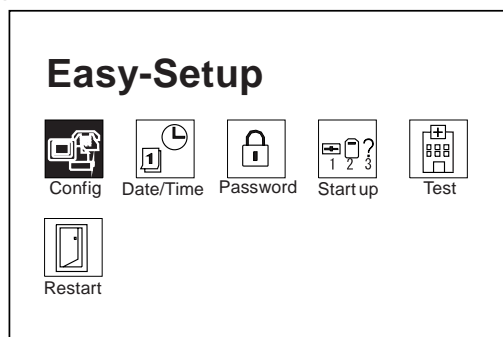
This means no operating system is installed in your computer. Install it now.

Did one of these screens appear?

**Yes** Turn off the computer and continue with step 2.

**No** Go to page 217.

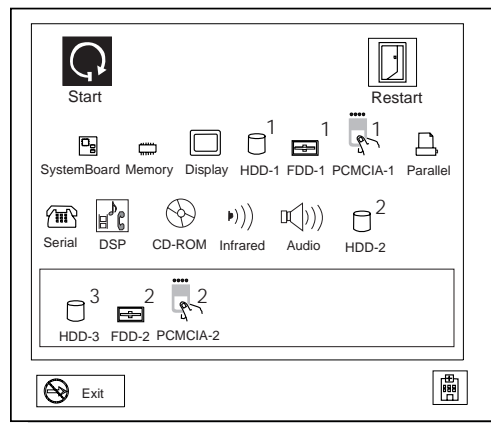
### 2 Press and hold **F1**; then turn on the computer to start Easy-Setup. Hold **F1** until the following *Easy-Setup* menu appears.



## What If Your Computer Does Not Work?

### 3 Did the *Easy-Setup* menu appear on the screen?

**Yes** The computer has successfully completed the POST (internal tests), and the system programs have been loaded. To start the test programs, select the **Test** icon; then select the **Start** icon or press **Enter**.



If the computer did not beep, the speaker is not working correctly. Have the computer serviced. If you are not sure about the beep, turn off the computer; then turn it on again and repeat step 2 on page 215.

If you cannot go beyond the first screen, have the computer serviced.

If an error is detected, the character X appears at the left of the affected device, and an error code appears below it. Record the error code and have the computer serviced.

If the test does not find a problem but one still exists, find the problem in the troubleshooting charts on page 217.

**No** Return to step 2 on page 215 and start Easy-Setup again. If you still cannot start Easy-Setup, find the problem in the troubleshooting charts starting on page 217.



## Troubleshooting Charts

In the charts, x can be any character.

### Error Codes

Screen Message	Action
<p>I9990301 I9990302 I9990305</p> <p><b>Note:</b> Incorrect connection of the hard disk drive can cause these error codes to appear.</p>	<p>The computer cannot find the startup drive.</p> <ol style="list-style-type: none"> <li>1. Turn off the computer.</li> <li>2. Press and hold <b>F1</b>; then turn on the computer to start Easy-Setup. Hold <b>F1</b> until the Main Menu appears.</li> <li>3. Select the <b>Start up</b> icon. If you are unable to set the startup sequence, have the computer serviced.</li> <li>4. Check the list of devices on the Set Startup Sequence screen. Is the default drive in the startup sequence? <ul style="list-style-type: none"> <li><b>Yes</b> Exit this screen, and turn off the computer.</li> <li><b>No</b> Select the <b>Reset</b> icon.</li> </ul> </li> <li>5. Is an operating system installed? <ul style="list-style-type: none"> <li><b>Yes</b> Go to step 7.</li> <li><b>No</b> Install the operating system in your computer.</li> </ul> </li> <li>6. After the operating system is installed, turn off the computer.</li> <li>7. Turn on the computer.</li> </ol> <p>If the same screen message appears, have the computer serviced.</p>
I99xxxxx	Have the computer serviced.
111	<p>If you are using a port replicator or an expansion unit, disconnect it; then reconnect it.</p> <p>If there is still a problem, have the computer serviced.</p>
158	<p>A hard disk drive without a hard disk password is installed when a supervisor password is set.</p> <ol style="list-style-type: none"> <li>1. Press <b>Enter</b>. The password menu in Easy-Setup appears.</li> <li>2. Select the <b>Supervisor</b> icon.</li> <li>3. Press <b>Enter</b>. The same password as the supervisor password is set for the hard disk password on the hard disk drive.</li> </ol>

### ***What If Your Computer Does Not Work?***

<b>Screen Message</b>	<b>Action</b>
159	The hard disk password differs from the supervisor password. <ol style="list-style-type: none"><li>1. Turn off the computer; then turn it on again.</li><li>2. Change the hard disk password to the supervisor password at the hard disk password prompt.</li></ol>
16x or 17x	Follow the instructions on the screen.
174	There is a device configuration error. Check that the hard disk drive and the diskette drive are installed firmly in the connectors.
184	The entered password is invalid. Turn off the computer and wait at least 5 seconds; then turn it on again and type the correct password.
190	The computer has turned off because of a critical low-battery condition. Connect the AC Adapter to the computer and charge the battery pack.
195	The system configuration before and after hibernation mode differs, and the computer cannot resume normal operation. Change the system configuration to what it was before the computer entered hibernation mode. If the memory size is changed, re-create the hibernation file (see page 105).
196	The computer cannot read the hibernation file. Have the computer serviced.
2xx	Verify that the DIMM option is correctly installed.

## What If Your Computer Does Not Work?

Screen Message	Action
30x	<p>Turn off the computer and all attached devices. Turn on the computer first; then turn on the attached devices.</p> <p>If the computer has an external keyboard connected, verify that:</p> <ol style="list-style-type: none"> <li>1. The external keyboard is connected to the correct side of the keyboard/mouse connector (see page 169).</li> <li>2. The keyboard/mouse connector is correctly connected to the computer.</li> </ol> <p>If the preceding items are correct, disconnect the keyboard/mouse connector from the computer and verify that the operation of the system keyboard is correct. If the system keyboard works correctly, have the keyboard/mouse connector or the external keyboard serviced.</p> <p>Test the computer by selecting the <b>Start</b> icon.</p> <ul style="list-style-type: none"> <li>– If the computer stops during testing and does not continue, have the computer serviced.</li> <li>– If the tests do not find a problem but one still exists, find the problem in “What If Testing Cannot Find the Problem?” on page 224.</li> </ul>

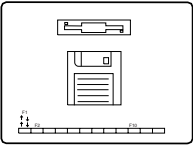
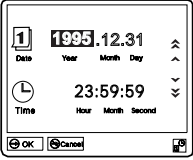
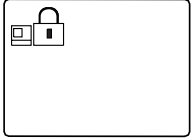
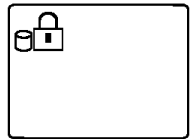
## LCD Problems

Problem	Action
<p>The screen is blank and there are no beeps.</p> <p><b>Note:</b> If you are not sure about the beeps, turn the computer off; then turn it on again, and listen to the beeps.</p>	<p>Verify that:</p> <ul style="list-style-type: none"> <li>The battery pack is correctly installed.</li> <li>The AC Adapter is connected to the computer and the power cord is plugged into a working electrical outlet.</li> <li>The computer power switch is turned on.</li> </ul> <p>If the preceding items are correct and the screen remains blank, have the computer serviced.</p>
<p>The screen is blank and there is one beep.</p> <p><b>Note:</b> If you are using an external display, go to “External Display Problems” on page 226.</p>	<p>If a power-on password is set, type the correct password and press <b>Enter</b> (see page 110).</p> <p>If a power-on password is not set, verify that the brightness control on the computer is correctly adjusted. If the preceding items are correct and the screen remains blank, have the computer serviced.</p>


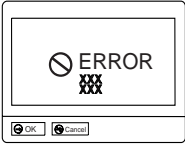
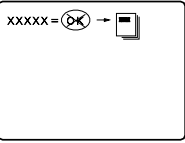
## What If Your Computer Does Not Work?

Problem	Action
The screen is blank and there is a continuous beep, or two or more beeps.	Have the computer serviced.
Only the cursor appears.	Have the computer serviced.
xxxxx <b>KB OK</b> appears and the computer halts.	Have the computer serviced.
The screen is unreadable or distorted.	<p>Verify that the ThinkPad display driver was installed correctly.</p> <p>Verify that <b>Display</b> in the Windows Setup screen is set to your display resolution type (see page 198).</p> <p>If these are correct, test the computer. If the test ends without an error, have the computer serviced.</p>
Incorrect characters appear on the screen.	<p>Verify that operating systems and application programs have been installed and configured correctly.</p> <p>If so, have the computer serviced.</p>
The screen stays on although the power switch is turned off.	Press the <b>Power Shutdown</b> switch on the rear of the computer with the tip of a pen to turn off the computer; then turn the computer on again.
The computer goes into suspend mode immediately after the POST. (The suspend lamp turns on.)	<p>Verify that:</p> <ul style="list-style-type: none"> <li>The battery pack is charged.</li> <li>Keyboard is firmly closed.</li> <li>When the external display is attached to the computer, the <b>Will not suspend even if LCD is closed</b> option (in the <b>Suspend/Resume</b> options of the ThinkPad Features program) is enabled.</li> <li>The environmental temperature is in an acceptable range. Refer to "Specifications" on page 283.</li> </ul> <p>If the preceding items are correct, have the computer serviced.</p>
Error <b>190</b> appears and the computer immediately turns off.	The battery pack is low in power. Connect the AC Adapter to the computer, or replace the battery pack with a fully charged one.
Missing, discolored, or bright dots appear on the screen at all times.	The computer LCD contains more than 1 440 000 thin-film transistors (TFTs). A small number of missing, discolored, or bright dots on the screen is an intrinsic characteristic of TFT LCD technology and is not an LCD defect.

## Screen Messages

Message	Action
<p><b>Diskette</b> and <b>F1</b> prompts.</p> 	<p>Verify that hard disk drive is correctly installed. Or, verify that the self-starting diskette is inserted correctly (with the label up and metal-shutter end first) in the diskette drive.</p> <p>If so, press <b>F1</b>. If both prompts remain, have the computer serviced.</p>
<p>Error <b>163</b> appearing with the date and time screen.</p>  <p>The date and time screen appears when neither the date nor the time is set in the computer.</p>	<p>Set the date and time by typing or clicking on the ▲ or ▼ to set the numbers; then click on the <b>OK</b> button.</p>
<p>Power-on password prompt.</p> 	<p>A power-on or supervisor password was set. To use the computer, type the correct password and press <b>Enter</b> (see page 110).</p> <p>If the power-on-password is not accepted, a supervisor password might have been set. Type the supervisor password and press <b>Enter</b>.</p> <p>If there is still a problem, have the computer serviced.</p>
<p>Hard disk password prompt.</p> 	<p>A hard disk password was set. To use the computer, type the correct password and press <b>Enter</b> (see page 110).</p> <p>If there is still a problem, have the computer serviced.</p>

## What If Your Computer Does Not Work?

Message	Action
<p>Test menu.</p> 	<p>Select the <b>Start</b> icon and follow the instructions to test your system.</p> <p>If you cannot go beyond the first screen, have the computer serviced.</p> <p>If the computer stops during testing and does not continue, have the computer serviced.</p> <p>If testing does not find a problem but one still exists, find the problem in “What If Testing Cannot Find the Problem?” on page 224.</p>
<p>POST error prompt.</p> 	<p>An error was found during the POST. Press <b>Enter</b>; then select <b>Start</b> from the test menu to run the test.</p> <p>If the test ends with an error, make a note of the error code and have the computer serviced.</p>
<p>Error prompt.</p> 	<p>Turn off the computer and start Easy-Setup; then select <b>Test</b> to test the computer.</p> <p>You can start the operating system by pressing <b>F1</b> instead and ignore the error.</p>
<p>A screen or message that is not listed.</p>	<p>Turn off the computer and start Easy-Setup; then select <b>Test</b> to test the computer.</p> <p>If you cannot start Easy-Setup, have the computer serviced.</p>

## Other General Problems

Problem	Cause or Action
<p>The computer enters suspend mode automatically.</p>	<p>The computer enters suspend mode automatically when the processor temperature is higher than a certain degree. This is not a defect.</p>
<p>The computer performance is getting worse in an environment where the temperature is higher than the product specifications. (See “Specifications” on page 283.)</p>	<p>Processor speed may decrease if the computer is used in a high-temperature environment. This is not a defect.</p>

### *What If Your Computer Does Not Work?*

<b>Problem</b>	<b>Cause or Action</b>
The computer has problems such as a broken keylock or a defective indicator lamp.	Have the computer serviced.
The computer does not turn off with the power switch.	If the suspend lamp is turned on, connect the AC Adapter or install a fully charged battery pack in the computer; then resume operations. If there is still a problem, press the <b>Power Shutdown</b> switch on the rear of the computer with the tip of a pen to turn off the computer.
An application locks up or the computer does not accept any input.	Press the <b>Power Shutdown</b> switch on the rear of the computer with the tip of a pen to turn off the computer; then turn the computer on again.
The computer does not start from a diskette.	Check that the startup sequence is set to start the computer from the diskette drive (see page 49).
Keyboard cannot be opened.	Check that a Kensington lock or compatible lock is not in use.

## What If Your Computer Does Not Work?

# What If Testing Cannot Find the Problem?

If the test programs do not find the problem, use these troubleshooting charts:

## Battery Power Problems

Problem	Action
The battery pack starts discharging automatically, even if the AC Adapter is connected.	When the AC Adapter is connected and the remaining power in the installed battery pack is less than a certain amount, discharging and then charging of the battery pack starts automatically.
When you are using OS/2 or Windows, the message, "Please discharge battery" appears on the screen.	Discharge the battery pack; then recharge it (see page 95).
The battery status indicator has turned off although a battery pack is installed in the computer.	The over-current protection device inside the battery pack has been activated. Wait for several hours and try to use it again. If there is still a problem, replace the battery pack or have the computer serviced.
The battery pack cannot be fully charged in 3 hours by the power-off charging method.	The battery pack might be over-discharged. <ol style="list-style-type: none"><li>1. Turn off the computer.</li><li>2. Make sure that the over-discharged battery pack is in the computer.</li><li>3. Connect the AC Adapter to the computer and let it charge.</li></ol> If the battery pack cannot be fully charged in 24 hours, use the new battery pack. If a Quick Charger (available as an option) is available, use it to charge the over-discharged battery pack.
The battery operating time indicated by the Fuel-Gauge program or the battery status indicator is much longer or shorter than actual operating time.	Repeat discharging and charging of the battery pack at least three times.
The operating time for a fully charged battery pack becomes shorter.	Repeat discharging and charging of the battery pack three to six times. If there is still a problem, use a new battery pack.



### *What If Your Computer Does Not Work?*

<b>Problem</b>	<b>Action</b>
The computer does not operate with a fully charged battery pack installed.	The protective function in the battery pack might be activated. Turn off the computer for 1 minute to reset the protective function, and then turn it back on again.

### **Diskette Drive Problems**

<b>Problem</b>	<b>Action</b>
The diskette drive in use icon stays on.	<p>If there is a diskette in the drive, verify that:</p> <ul style="list-style-type: none"><li>– There is nothing wrong with the diskette. Try a backup copy if you have one.</li><li>– The diskette is inserted correctly (label up and metal-shutter end first) in the diskette drive.</li><li>– The diskette contains the necessary files to start the system.</li><li>– There is nothing wrong with your application program (see page 235).</li></ul> <p>If the preceding items are correct, have the computer serviced.</p> <p>If there is no diskette in the drive, have the computer serviced.</p>

## What If Your Computer Does Not Work?

### External Display Problems

Problem	Action
The screen is blank.	<p>Verify that:</p> <ul style="list-style-type: none"><li>The power cord for the external display is plugged into a working electrical outlet and into the external display.</li><li>The external display is turned on and the brightness and contrast controls are adjusted.</li><li>The signal cable for the external display is plugged into the external-display connector on the computer. Some signal cables might not fit into the external-display connector because of the connector type.</li><li>The external display (CRT) is selected as the display device using the <b>Fn</b> key function (see page 51) or the ThinkPad Features program (see page 38).</li><li>The suspend option to enter suspend mode when the LCD is closed is disabled. (Click on the <b>Battery</b> icon in the ThinkPad Features program; then follow the screen.)</li></ul> <p>Turn off the computer; then turn it on.</p> <p>If the preceding items are correct and the screen of the external display remains blank, run the display tests described in the instructions supplied with the external display. If the tests show the external display is OK, have the computer serviced.</p>
The screen is unreadable or distorted.	<p>Verify that:</p> <ul style="list-style-type: none"><li>The ThinkPad display driver is installed correctly (see page 179).</li><li>The <b>Device Driver</b> parameters in the Display setting screen are set to your display resolution and color type (see page 172).</li></ul> <p>To change or set up the external display, see "Attaching an External Display" on page 170.</p> <p>If these are correct, run the tests described in the instructions supplied with the external display. If the tests show the external display is OK, have the computer serviced.</p>
Wrong characters appear on the screen.	<p>Verify that operating systems and application programs have been installed and configured correctly.</p> <p>If so, have the computer serviced.</p>

## Hibernation Problems

Problem	Action
<p>The computer does not enter hibernation mode with the <b>Fn+F12</b> key combination.</p>	<p>Did you create the hibernation file?</p> <p>You must create the hibernation file before entering hibernation mode.</p> <ol style="list-style-type: none"><li>1. Select the <b>Power</b> icon in the ThinkPad Features program.</li><li>2. Click on the <b>More...</b> button.</li><li>3. Click on the <b>Enable Hibernation</b> button.</li></ol> <p>Are you using PC Cards?</p> <p>If you are using one of the IBM communication PC Cards listed on page 107, the computer cannot enter hibernation mode.</p> <p>To enter hibernation mode, stop the communication program, and then remove the PC Card or turn off the power to the PCMCIA slot using the PC Card Director.</p>

## Infrared Communication Problems

Problem	Action
<p>The computer cannot communicate with other devices using the infrared port on the computer.</p>	<p>Verify that:</p> <ul style="list-style-type: none"><li>Power is supplied to the infrared port by the ThinkPad Features program (see page 38).</li><li>The infrared function is enabled and other choices are set correctly in the ThinkPad Setup menu in the ThinkPad Features program (see page 38).</li><li>The communicating device is using an equivalent communication speed.</li><li>The infrared ports are cleaned and do not have any spots.</li><li>No cable or electrical device is between the computer and the communicating device.</li><li>The distance and angle between the computer and the communicating device are correct.</li></ul>

### ***What If Your Computer Does Not Work?***

<b>Problem</b>	<b>Action</b>
Incorrect data is sent between the computer and device.	Verify that:  The distance and angle between the devices are correct.  The communicating device is using an equivalent communication speed.  There is no device radiating infrared rays, such as remote-controlled devices or wireless headphones, near the computer or device.  Direct sunlight or fluorescent lamps are not near the computer or device.

## Keyboard, External Numeric Keypad, and Pointing Device Problems

Problem	Action
<p>All or some keys on the system keyboard do not work.</p>	<p>If the problem occurs immediately after the computer returns to normal operation from suspend mode, enter the power-on password. If a power-on password is set, you must enter the password.</p> <p>If the external keyboard is connected, the numeric keypad on the system keyboard will not work.</p> <p>If the external numeric keypad or the mouse is connected:</p> <ol style="list-style-type: none"> <li>1. Turn off the computer.</li> <li>2. Remove the external numeric keypad or the mouse.</li> <li>3. Turn on the computer and try using the keyboard again.</li> </ol> <p>If the keyboard problem is resolved, check the connection of the external numeric keypad, external keyboard, or the mouse. If there is still a problem, have the computer serviced.</p>
<p>The pointer drifts when the computer is turned on, or after resuming normal operation. —or— During computer operation, the pointer drifts when not using the TrackPoint III.</p>	<p>Drifting is a characteristic of the TrackPoint III and is not a defect. The drifting occurs for several seconds under the following conditions:</p> <ul style="list-style-type: none"> <li>When the computer is turned on.</li> <li>When resuming normal operation.</li> <li>When the TrackPoint III is pressed for a long period of time.</li> <li>When the environmental temperature changes.</li> </ul> <p>Do not touch the TrackPoint III until the pointer stops moving.</p>
<p>The mouse or pointing device does not work.</p>	<p>Verify that the mouse or pointing-device cable is securely connected to the computer.</p> <p>Try using the TrackPoint III. If the TrackPoint III works, suspect the externally attached pointing device.</p> <p>If you are using Windows, make sure <b>Computer</b> is set as <b>MS-DOS System with APM</b>. See page 198.</p> <p>If you are using a mouse that is not compatible with the IBM PS/2 Mouse, disable the TrackPoint III using the ThinkPad Features program.</p> <ol style="list-style-type: none"> <li>1. For OS/2 and Windows, see page 39. Select <b>Setup, Keyboard/Pointing Device</b>; then click on <b>Disable</b> for the TrackPoint III.</li> <li>2. For DOS, see page 42.</li> </ol>
<p>All or some keys on the external numeric keypad do not work.</p>	<p>Verify that the external numeric keypad is correctly connected to the computer.</p>

## What If Your Computer Does Not Work?

Problem	Action
All or some keys on the external keyboard do not work.	<p>Verify that:</p> <ul style="list-style-type: none"> <li>The keyboard connector is connected to the correct side of the keyboard/mouse connector.</li> <li>The keyboard/mouse connector is correctly connected to the computer.</li> </ul> <p>If the preceding items are correct, disconnect the keyboard/mouse connector from the computer and verify that the operation of the system keyboard is correct. If the system keyboard works, have the keyboard/mouse connector or the external keyboard serviced.</p>
A number appears when you type an alphabetic character.	The Numeric Lock function is on. Press and hold <b>Shift</b> ; then press <b>NumLk</b> .

## Mwave DSP Feature Problems

Problem	Cause and action
Sound Blaster support cannot be enabled.	This is probably because Mwave is being used for other functions, such as the modem. Try disabling another function; then type <code>MWGAMES ON MIN</code> . The <b>MIN</b> option enables Sound Blaster support using a minimum amount of Mwave resources.
DOS games work slowly in a Windows session.	Some DOS games run slower in a Windows DOS session than in native DOS. Check the documentation of your game for special instructions about improving performance. Configure your computer to use the VGA display driver rather than a higher resolution or less efficient driver. Determine if your game allows you to turn off "background music" and only play special effects.
A Windows error message states that no MIDI device is available.	This is often because the DSP resources have been used up. Close an application that is using DSP, and retry the failing function.
A Windows error message states that no WAV device is available.	This is often because the DSP resources have been used up. Close an application that is using DSP, and retry the failing function.

### *What If Your Computer Does Not Work?*

<b>Problem</b>	<b>Cause and action</b>
The modem does not work correctly.	<p>Verify that:</p> <ul style="list-style-type: none"> <li>The modem/fax port is securely installed.</li> <li>The modem is correctly identified in your communication program.</li> </ul> <p>This is often caused by a conflict between communication port addresses or interrupt assignments, or both.</p> <p>For more detail, see also modem problems on page 211.</p>
A modem error occurred.	Refer to the command reference in the Mwave ThinkPad window.
A modem application is not working.	<p>Verify that:</p> <ul style="list-style-type: none"> <li>You did not close the modem window instead of minimizing it.</li> <li>The modem is set to support the speed you are trying to use.</li> </ul>
A speaker phone application does not work.	Verify that you disabled the <b>Audio</b> button in the Audio Control.
The computer cannot receive incoming calls from the speaker phone or the modem.	Verify that the telephone plug is correctly attached (see page 163).
Other problems.	<p>The following is a list of failures that can cause other problems.</p> <ul style="list-style-type: none"> <li>A compatibility problem exists between the Mwave feature and one or more other adapters in the system.</li> <li>To isolate a compatibility problem, remove other adapters from your system and rerun the diagnostics while these adapters are removed.</li> <li>The telephone cable configuration is not correct for your application.</li> <li>The telephone cable is defective.</li> <li>The telephone is defective.</li> <li>The audio cable configuration is not correct for your application.</li> <li>The audio cable is defective.</li> <li>The audio equipment is defective.</li> </ul>

## What If Your Computer Does Not Work?

### Option Problems

Problem	Action
<p>An IBM option that was just installed does not work.</p>	<p>Verify that:</p> <ul style="list-style-type: none"><li>The option is designed for the computer.</li><li>The option has been installed correctly by following the instructions supplied with the option.</li><li>Other installed options or cables are not loose.</li><li>No I/O address or interrupt level conflict has occurred. Use the <b>System Info</b> of the ThinkPad Features program.</li></ul> <p>If the test programs for the option did not find the problem, have the computer and option serviced.</p>
<p>An IBM option that used to work no longer works.</p>	<p>Verify that:</p> <ul style="list-style-type: none"><li>All the option hardware and cable connections are securely connected.</li><li>If the option came with its own test instructions, use those instructions to test the option.</li></ul> <p>If the preceding items are correct and the test programs did not find the problem, have the computer and option serviced.</p>
<p>The serial port does not work.</p>	<p>Ensure that <b>Serial port</b> is set to <b>Serial_1</b>, <b>Serial_2</b>, <b>Serial_3</b>, or <b>Serial_4</b> in the ThinkPad Features program.</p>



**What If Your Computer Does Not Work?**

**PC Card Problems**

Problem	Action
<p>Error messages appear when loading the Socket Services or other PCMCIA device drivers.</p>	<p>Is the PCMCIA controller chip ready to be used?</p> <p>Check if the PCMCIA device is ready by using Easy-Setup or the ThinkPad Features program.</p>
<p>PC Card Director does not recognize your PC Card.</p>	<ol style="list-style-type: none"> <li>1. Are you using the EMS driver under DOS?           <p>When using the EMS driver, you must set the correct value for the /MA=mmmm-nnnn parameter in the Resource Map Utility. In the EMS driver, check the UMB area used for PCMCIA under the X=mmmm-nnnn parameter; then use that range to set the /MA parameter in the Resource Map Utility.</p> </li> <li>2. Does your PC Card support PCMCIA Standard Release 2.0 or later?           <p>If not, you cannot use PC Card Director.</p> </li> <li>3. Is your PC Card working?           <p>If your PC Card has its own diagnostic instructions, use those instructions to test it.</p> </li> </ol>
<p>The PC Card is recognized by PC Card Director, but does not become "Ready."</p>	<ol style="list-style-type: none"> <li>1. Is the PC Card enabler installed?           <p>Refer to the manuals supplied with your PC Card.</p> </li> <li>2. Are you using the EMS driver under DOS?           <p>When using the EMS driver, you must set the correct value for the /MA=mmmm-nnnn parameter in the Resource Map Utility. In the EMS driver, check the UMB area used for PCMCIA under the X=mmmm-nnnn parameter; then use that range to set the /MA parameter in the Resource Map Utility. If you are using Windows, also set the value for the EMMEXCLUDE= parameter in the SYSTEM.INI file.</p> </li> <li>3. Are the resources for the PC Card correctly reserved?           <p>Refer to "Checking the Allocated Resources for the PC Card" on page 263.</p> </li> </ol>

## What If Your Computer Does Not Work?

Problem	Action
The PC Card is shown as "Ready," but does not work correctly.	<ol style="list-style-type: none"><li data-bbox="427 636 1281 695">1. Make sure the resources reserved for the PC Card do not conflict with those for other system devices. Refer to "Avoiding PC Card Resource Conflicts" on page 265.</li><li data-bbox="427 751 1281 974">2. Make sure the resources reserved for the PC Card match the settings in the application program. If you are using a modem card, check the COM number, I/O port address, and IRQ level. If you are using a network card, check the I/O port address, IRQ level, and memory window address. To check the resources assigned to the PC Card, click on the <b>Status</b> button in the PC Card Director program.</li><li data-bbox="427 989 1281 1171">3. If you are using an I/O PC Card: The PC Card might work if you add the following in the CONFIG.SYS file: <pre>IBMDSS 1.SYS /IO =x</pre>Where x is a slot number.</li></ol>

## Printer Problems

Problem	Action
The printer does not work.	<p data-bbox="414 1352 532 1381">Verify that:</p> <ul data-bbox="456 1396 1281 1528" style="list-style-type: none"><li data-bbox="456 1396 919 1425">The printer is turned on and ready to print.</li><li data-bbox="456 1440 1281 1528">The printer signal cable is connected to the correct connector on the computer. (For the location of the printer connector, see "parallel connector" on page 6.)</li></ul> <p data-bbox="414 1543 1247 1633">If the preceding items are correct and the printer still does not work, run the tests described in the printer manual. If the tests show that the printer is OK, have the computer serviced.</p>

## *What If Your Computer Does Not Work?*

### **Software Problems**

<b>Problem</b>	<b>Action</b>
An application program does not work correctly.	<p>To determine if a problem is caused by the software, verify that:</p> <ul style="list-style-type: none"><li>Your computer has the minimum memory required to use the software. Refer to the manuals supplied with the software to verify this.</li><li>The software is designed to operate with your computer.</li><li>Other software works correctly with your computer.</li><li>The software you are using works correctly with another computer.</li></ul> <p>If you have received any error messages when using the application program, refer to the manuals supplied with the software for a description of the messages and a solution to the problem.</p> <p>If the preceding items are correct and there is still a problem, contact your IBM authorized reseller or IBM marketing representative for help.</p>

*What If Your Computer Does Not Work?*

## Getting Service

If you need further assistance, call your IBM authorized reseller or IBM marketing representative.

When requesting service, describe the error message or problem to the service representative. Error messages can help identify what service action is required and help the service representative provide quick and efficient service.

**Important**

During the warranty period, you may be responsible for repair costs if the product damage was due to misuse, accident, modification, unsuitable physical or operating environment, or improper maintenance by you.

For your convenience, write the service phone numbers here.

---

---

---

---

---

---

---



## Listing Installed Options

When requesting repair service, you might need to know which options you have in your system. Check or write the names of your options below.

DIMM  
(4MB, 8MB, or 16MB)  
\_\_\_\_\_MB Hard Disk Drive

Battery Pack  
Option in the UltraBay

Diskette Drive

PC Cards

---

---

## Recording Identification Numbers

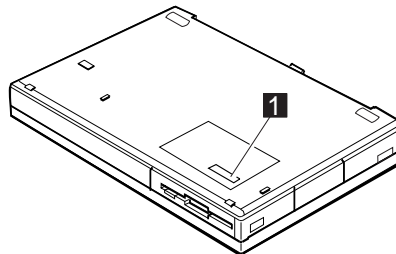
The following information is needed when requesting repair services:

IBM Product Name	ThinkPad 760C
Machine Type	_____
Serial Number	_____

The machine type and serial number 1 are located on the bottom of the computer.

The machine type has a prefix of **Type**.

The serial number has a prefix of **S/N**.



## **Getting Service**

### **The IBM HelpClub: Another Great Choice (in the U.S.A.)**

HelpWare Support Family offerings get you fast, accurate answers to questions about your IBM ThinkPad. HelpWare also provides you with access to a wide variety of other services to assist you in getting the most out of your new computer.

#### *Voice Technical Support*

We will answer your hardware and preloaded operating system questions regarding setup, usage, and problem determination. We are here when you need us, 24 hours a day, 7 days a week.

#### *Online Housecall*

An IBM technician can remotely access your ThinkPad, diagnose the problem, and make the correction quickly and easily (modem required).

#### *ThinkPad EasyServ*

A Federal Express courier will pick up your ThinkPad anywhere in the U.S., deliver it to an IBM mobile repair facility, and return the repaired machine to the location of your choice. In most cases we will have it repaired and on its way back to you within only eight hours of receipt. Courier charges in both directions are paid by IBM. Ask about our overnight repair option!

#### *International Warranty Service*

Register your ThinkPad to receive warranty service worldwide, whether you travel or relocate, wherever IBM or IBM resellers sell and service your ThinkPad products. Call to receive your International Warranty Service Certificate today.

#### *Electronic Support Services*

##### **Online Services**

Check out our public messaging areas, scheduled electronic conferences, and searchable databases on Prodigy, CompuServe, and America Online. You may also find reference diskettes, software patches and fixes, device drivers, and support documentation on the Internet (site address is <ftp.pcco.ibm.com>).

## ***Getting Service***

**IBM Bulletin Board** Dial 1-919-517-0001 to download software options catalogs, product reference guides, shareware, and software device drivers.

**IBM Automated Fax System**

Product announcement letters, marketing brochures, hardware and software tips, service information, and more are available by fax. Simply choose the automated fax system option when you call.

HelpWare offers the following additional services both during and after the warranty period.

**Support Line**

Enhanced PC Support  
Network and Server Support  
Personal Computer Software Assistance

**Consult Line** Consulting services from IBM experts

**Custom Services**

LAN Startup Services  
Connectivity Services

**Warranty and Repair Service**

Product warranty and post-warranty maintenance options available

### ***Ordering Information***

For additional HelpWare Support Family information or to purchase any of the listed services, please call us at 1-800-772-2227. To receive information by fax, just choose the automated fax system option and request document #11175.

## **The IBM HelpClub: Another Great Choice (for European Countries)**

*Yours for a free trial period:*

### **Helpware**

What's great about the HelpClub<sup>†</sup> is that once you're a member you get *Helpware*<sup>†</sup>. If you intend to use your new ThinkPad at home or for business, Helpware provides a complete range of services designed to help you get the most out of your new computer. If you work for a large company, Helpware can complement your own PC support service—for example, by providing help after your company service has closed for the day.

When you register, Helpware offers you a full range of services, including the following: **Helpline: helpful advice, day or night** First and foremost, you've got access to Helpline — IBM's customer-friendly, round-the-clock technical support and troubleshooting service, available just by picking up the phone. Complete peace of mind 24 hours a day, 7 days a week, 365 days a year.

### **Helpware Magazine: hints and tips for all**

With your free membership in the HelpClub, you receive a free subscription to *Helpware* magazine. We like to say it's one of the best PC magazines around, and you don't have to take our word for it. It has already won two publishing awards, and 8 out of 10 HelpClub members tell us it's the only PC magazine they need to read. Helpware is attractively produced, packed with information, and written in plain English, not technical gobbledegook.

### **HelpClub Privileges: lots of specials for members**

HelpClub is an exclusive club for IBM users. You can become a member for a free trial period to receive special offerings.

---

<sup>†</sup> The Helpware and the HelpClub free offers are subject to continued availability and may vary or may not be offered in all countries. Check with your local IBM marketing representative for details.



## Getting Service

Helpware is also a source of special deals for IBM customers, providing an exclusive collection of offers and discounts.

### *Join the HelpClub!*

Call your country number below during office hours:

<b>Austria</b>	222 21145 7575
<b>Belgium</b>	02/542.5360
<b>Denmark</b>	45 93 45 45 lokal 4600
<b>Finland</b>	9800-6100
<b>France</b>	16-38 55 20 39
<b>Germany</b>	0231-9748-405
<b>Italy</b>	1678 36019
<b>Luxembourg</b>	02/542.5360
<b>Netherlands</b>	020 513 4700
<b>Norway</b>	66 99 95 95
<b>Spain</b>	(91) 563 10 01
<b>Sweden</b>	020-55 55 55
<b>Switzerland</b>	155 46 46
<b>United Kingdom</b>	0628 895222

In other countries, contact your local IBM office for service information.

## ***Getting Service***

## Appendix A. Avoiding Hardware Conflicts

---

This appendix describes how to avoid system resource conflicts by listing the default and optional hardware settings. It also describes how to do a network remote program load and how to start the computer from an ATA PC Card.

### List of System Resources

When options such as the AT adapter or application programs are installed, the system might not operate correctly because of conflicting setting for IRQ (interrupt) levels, I/O addresses, DMA channels, and memory addresses.

To avoid these conflicts, you must know the hardware requirements, such as IRQ level and I/O addresses, for each option and program as shown in their manuals. Then you must check the current resource allocations for the computer and the Dock I or Dock II, and select the available resource values by using the ThinkPad Features program (see page 38).

## Avoiding Hardware Conflicts

The following table summarizes the available system resources for the computer and the ThinkPad Dock II. Values in parentheses are alternative values that are selectable in the **ThinkPad Features** program or application programs.

System Resources	IRQ	Memory Address (Hex)	I/O Address (Hex)	DMA Channel
Timer	0	none	0040–0043	none
Keyboard	1	none	0060, 0064	none
Serial Port	disabled (or 3, 4)	none	03F8–03FF (or 02F8–02FF)	none
Parallel Port	disabled (or 5, 7)	none	03BC–03BE, 07BC–07BE (or 0378–037F, 0778–077A, 0278–027F, 0678–067A)	0, 1, 3, disabled
Infrared Port	4 (or 3, 5, 10, 11, 15, disabled)	none	01A0–01A7 (or 01B0–01B7, 01C0–01C7, 01D0–01D7) 02E8–02EF (or 03F8–03FF, 02F8–02FF, 03E8–03EF)	0 and 3 or disable
Diskette Controller	6	none	03F0–03F7	2
Video Controller	none	A0000–BFFFF	03B4–03B5, 03C0–03CF, 03D4–03D5, 03D8–03D9, 43C6–43C9, 46E8	none
Mwave DSP Device	10 (or 5, 7, 11, 15, disabled)	none	4E30–4E3F, 0030–003F, 8E30–8E3F, CE30–CE3F	7 (or 0, 1, 6)
Sound Blaster	5 (or 7, 10, 11, disabled)	none	0220–022F, 0240–024F	1 (or 0, 6, 7)
Modem	3 (or 4, disabled)	none	03F8–02F8, 03E8–02E8	none
Hard Disk Drive	14	none	01F0–01F7, 03F6–03F7	none
Hard Disk Drive in UltraBay	15	none	0170–0177, 0376–0377	none
PCMCIA Controller	none	none	03E0–03E3	none
PC Card	(Depends on the type of PC Card)	(Depends on the type of PC Card)	(Depends on the type of PC Card)	none
Real Time Clock	8	none	0070–0071	none
TrackPoint III or Mouse	12	none	0060, 0064	none

## Avoiding Hardware Conflicts

System Resources	IRQ	Memory Address (Hex)	I/O Address (Hex)	DMA Channel
Math Coprocessor Exception	13	none	none	none
Options in Dock I or Dock II SCSI Controller	9 (or 5, 7, 10, 11, 15)	DC000–DFFFF	340–35F	none
AD/VC Adapter	none	none	92E9	none
<p><b>Notes:</b></p> <p>Selected values are assigned to a serial port and a parallel port of the computer. Selectable in the ThinkPad Features program or PS2.EXE. VL-Bus master is used. Select an IRQ and the memory addresses with a jumper and switch on the system board of the Dock I or Dock II. See “Using SCSI Controller and Support Software” in the <i>Dock I User's Guide</i> or <i>Dock II User's Guide</i>. Do not select <b>Disabled</b> when OS/2 is used.</p>				

## Avoiding Hardware Conflicts

# Avoiding System Resource Conflicts When Using PC Cards

When you do a network remote program load (RPL) or start the computer from a PC Card, you must make sure that the system resources used by the PC Card do not conflict with the resources used by other devices.

## Doing a Network Remote Program Load

To do a network remote program load (RPL):

- 1** Using the PS2 command or ThinkPad Features program, check that there is no conflict between the system resources used by the PC Card and by other devices.

The following are the system resources for a token-ring PC Card and an Ethernet PC Card:

Token-Ring PC Card

<b>IRQ</b>	9
<b>I/O Address (HEX)</b>	0A20–0A23
<b>Memory Address (HEX)</b>	CC000–CDFFF, D8000–DBFFF

Ethernet PC Card

<b>IRQ</b>	5
<b>I/O Address (HEX)</b>	0300–031F
<b>Memory Address (HEX)</b>	D0000–D1FFF, D4000–D7FFF

IRQ5 is the default setting used by the SoundBlaster emulation. To do an Ethernet PC Card RPL, change the IRQ for the SoundBlaster emulation or disable it with the ThinkPad Features program or the SB PS2 command (see page 279).

- 2** Start Easy-Setup and select the **Start Up** icon.

## Avoiding Hardware Conflicts

### 3 Select the **Network** icon.

A window appears at the bottom of the screen for you to select the RPL speed.

### 4 If you are using a token-ring card, select **4** (4Mbps) or **16** (16Mbps) for the RPL speed.

If you are using a network card other than a token-ring card, you can select either RPL speed.

### 5 Click on **OK** or press **Enter**; then restart the computer.

## Starting the Computer from an ATA PC Card

To start the computer from an ATA PC Card:

### 1 Using the PS2 command or ThinkPad Features program, check that there is no conflict between the system resources used by the PC Card and by other devices.

The following is the system resources for an ATA card:

<b>IRQ</b>	15
<b>I/O Address (HEX)</b>	0170–0177

### 2 Start Easy-Setup and select the **Start Up** icon.

### 3 Select the **PCMCIA** icon.

You cannot set the PC Card (PCMCIA icon) to follow the hard disk drive of the computer (HDD-1 icon). If the **HDD-1** icon is already in the drive-startup sequence, click on the **Reset** icon; then set the sequence.

### 4 Click on **OK** or press **Enter**; then restart the computer.

**Avoiding Hardware Conflicts**



## Appendix B. Advanced Information for PC Cards

---

This appendix describes the Auto Configurator program, which automatically enables the PC Card without the device driver supplied with your PC Card being installed. It also describes other information related to using PC Cards.

### Auto Configurator for PC Card Director

**Note:**

When installing an operating system, install the PCMCIA device driver that is on the PC Card Director diskettes to use the Auto Configurator.

To install the PCMCIA device driver:

 Chapter 7.

About script files:

 Page 66.

The 760C computers provide the *Auto Configurator*, a program for some PC Cards, so that you do not have to install the device driver supplied with the card to use it.

The resource and configuration information for the PC Cards are written in the script files. Once the information is written, you can use the *Auto Configurator Utility* to edit these script files.

When Auto Configurator is installed, the following line is added to the CONFIG.SYS file according to your operating system:

For OS/2:

```
BASEDEV=AUTODRV2.SYS
```

For DOS and Windows:

```
DEVICE=[drive:] [directory] AUTODRV.SYS
```



### Starting the Auto Configurator Utility for OS/2 or Windows

This section describes the Auto Configurator Utility for OS/2 or Windows.

To start Auto Configurator Utility for OS/2 or Windows, select the **Auto Configurator Utility** icon from the PC Card Director window.

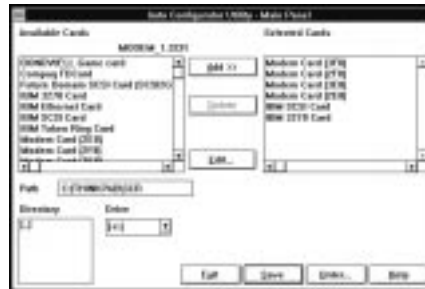


The operation for OS/2 and for Windows is the same.

## Advanced Information for PC Cards

### Registering a PC Card in Auto Configurator

- 1 Select a card from the Available Cards list in the Auto Configurator Utility main panel.



Select the card for which you want to assign the resources first. For example, when you want to assign COM 3 to a modem card, and not COM 2, select the setting for COM 3 first.

- 2 Click on the **Add>>** button.
- 3 Click on the **Save** button.

The names in the left list box (**Available Cards**) are the cards that can be registered. The names in the right list box (**Selected Cards**) are the cards that are already registered in Auto Configurator. When a PC Card is installed, Auto Configurator starts from the top of the list to assign the resources to the card.

### Deleting a Registered Card

- 1 Select the PC Card you want to delete from **Selected Cards** in the Auto Configurator Utility main panel.
- 2 Click on the **Delete** button.
- 3 Click on the **Save** button.

## Advanced Information for PC Cards

### *Changing the Registered Order for PC Cards*

To change the order of the registered PC Cards, do the following:

- 1** Click on the **Order...** button in the Auto Configurator Utility main panel.



The operation for OS/2 and for Windows is the same.

- 2** Refer to the following to change the order of the PC Cards in the list:

Moving a Card toward the Bottom

- Select the PC Card you want to move.
- Click on the **Down** button.

Every time you click on the **Down** button, the PC Card is moved toward the bottom of the list.

Moving a Card toward the Top

- Select the PC Card you want to move.
- Click on the **Up** button.

Every time you click on the **Up** button, the PC Card is moved toward the top of the list.

- 3** Click on the **OK** button to save the changes.

The changes are saved. To cancel the changes click on the **Cancel** button.

## Advanced Information for PC Cards

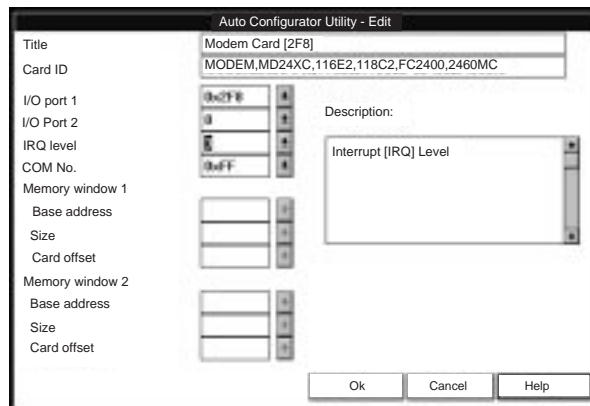
### *Changing the Resource Information for the PC Card*

- 1** Select the PC Card you want to change from the left list box in the Auto Configurator Utility main panel.
- 2** Click on the **Edit...** button.

The following screen is displayed:

#### **Note:**

The current resource information is set as the default and appears in the input field of each item. The number that can be set is displayed in the pull-down list box.



- 3** You can change the following registered information for the PC Card.

The items that can be changed differ among PC Cards.

- Card ID
- I/O port address
- IRQ level
- COM number of the serial port
- Memory window address
- Memory window size
- Card offset address

- 4** Click on the **OK** button, and save the changes.

To cancel the changes, click on the **Cancel** button.



## Starting the Auto Configurator Utility for DOS

To use the Auto Configurator Utility for DOS, do the following:

**Note:**

A script file contains the steps to enable the PC Card and the resource information for the I/O port, IRQ level, or memory address.

- 1** Create an AUTODRV.SCR file in DOS by gathering all the script files of the PC Cards you want to enable.

For information on writing a script file, refer to AUTODRV.DOC in the directory containing the script file.

- 2** Enter the following command at the DOS command prompt:

```
>AUTOOUTL /D
```

The utility (AUTOOUTL.EXE), script file (AUTODRV.SCR), and Auto Configurator itself (AUTODRV.SYS) must all be in the same directory.

## Adding to the CONFIG.SYS File

For PC Card Director to work correctly, the PC Card device drivers (which make up the structured file of PC Card Director) must be registered in the CONFIG.SYS file. These drivers are automatically registered in the CONFIG.SYS file when you install PC Card Director following the instructions in Chapter 7. The following shows each driver registered in the CONFIG.SYS file and the standard rules.



## Registered Drivers and Standard Rules for OS/2

The following is a sample of the CONFIG.SYS file for OS/2:

```
      :
BASEDEV=PCMCIA.SYS           ← Card Services
BASEDEV=ICRMU 1.SYS         ← Resource Map Utility
BASEDEV=IBM2SS 1.SYS        ← Socket Services
BASEDEV=AUTODRV2.SYS        ← Auto Configurator
DEVICE=C:\THINKPAD\VPCMCIA.SYS ← Virtual Card Services
      :
DEVICE=C:\THINKPAD\xxxxxxx.SYS ← Storage card
                                device driver
      :
REM PC_Card_Client_Device_Driver
      :
DEVICE=C:\THINKPAD\$\ICPMOS2.SYS ← Power
                                Management Support driver
```

- Rule 1** Card Services, Resource Map Utility, and Socket Services must be listed before any other PCMCIA drivers.
- Rule 2** The Resource Map Utility is necessary only for OS/2 Version 2.1x.
- Rule 3** The PCMCIA Power Management Support driver must be listed after all drivers, at the end of the CONFIG.SYS file.
- Rule 4** When using storage cards, the device drivers must be installed according to the card type:

Using only an ATA card:

```
BASEDEV=PCM2ATA.ADD /!DM ← ATA card device driver
DEVICE=C:\THINKPAD\PCMSSDIF.SYS ← Storage API
                                device driver
      :
BASEDEV=OS2PCARD.DMD ← Storage Card Device Manager
```

## Advanced Information for PC Cards

### Using an ATA card and an SRAM card:

```
BASEDEV=PCM2ATA.ADD /!DM ← ATA card device driver
DEVICE=C:\THINKPAD\PCMSDIF.SYS ← Storage API
                                device driver
DEVICE=C:\THINKPAD\PCM2SRAM.SYS ← SRAM card
                                device driver
:
BASEDEV=OS2PCARD.DMD ← Storage Card Device Manager
```

### Using an ATA card and a Flash card:

```
BASEDEV=PCM2ATA.ADD /!DM ← ATA card device driver
DEVICE=C:\THINKPAD\FLSH2MTD.SYS ← Flash Card
                                Memory Technology driver
DEVICE=C:\THINKPAD\PCMSDIF.SYS ← Storage API
                                device driver
DEVICE=C:\THINKPAD\PCM2FLSH.SYS ← Flash card
                                device driver
:
BASEDEV=OS2PCARD.DMD ← Storage Card Device Manager
```

### Using an ATA card, an SRAM card, and a Flash card:

```
BASEDEV=PCM2ATA.ADD /!DM ← ATA card device driver
DEVICE=C:\THINKPAD\FLSH2MTD.SYS ← Flash Card
                                Memory Technology driver
DEVICE=C:\THINKPAD\PCMSDIF.SYS ← Storage API
                                device driver
DEVICE=C:\THINKPAD\PCM2SRAM.SYS ← SRAM card
                                device driver
DEVICE=C:\THINKPAD\PCM2FLSH.SYS ← Flash card
                                device driver
:
BASEDEV=OS2PCARD.DMD ← Storage Card Device Manager
```

**Rule 5** The Storage Card Device Manager (OS2PCARD.DMD) must be added after the Power Management Support driver (\$ICPMOS2.SYS) in the CONFIG.SYS file. If you don't have the Power Management Support driver, the Storage Card Device Manager must be added at the end of the CONFIG.SYS file.

## Advanced Information for PC Cards



### Registered Drivers and Standard Rules for DOS and Windows

The following is a sample of the CONFIG.SYS file for DOS and Windows:

```
      :
DEVICE=C:\DOS\EMM386.EXE FRAME=D      X=C8  -CFFF
      :
DEVICEHIGH=C:\THINKPAD\IBMDSS 1.SYS ← Socket Services
DEVICEHIGH=C:\THINKPAD\IBMDOSCS.SYS ← Card Services
DEVICEHIGH=C:\THINKPAD\IBMDSCSE.SYS ← Enhanced
                                   Card Services
DEVICEHIGH=C:\THINKPAD\DICRMU 1.SYS /MA=C8  -CFFF
                                   ↑ Resource Map Utility
DEVICEHIGH=C:\THINKPAD\$\ICPMDOS.SYS ← Power Management
                                   Support driver
      :
REM PC_Card_Client_Device_Driver
      :
DEVICEHIGH=C:\THINKPAD\xxxxxxx.SYS ← Storage card
                                   device driver
DEVICEHIGH=C:\THINKPAD\AUTODRV.SYS ← Auto Configurator
      :
```

**Rule 1** When using the PCMCIA drivers with the Software EMS driver (EMM386.EXE), you must specify the *x=* parameter for EMM386.EXE. This is to avoid conflict in the memory area used by the PCMCIA drivers and the Software EMS driver.

**Rule 2** Socket Services, Card Services, and Resource Map Utility must be listed in this order.

**Rule 3** The Power Management Support driver must be listed after the Resource Map Utility.

**Rule 4** The PC Card Client device driver must be listed before the Auto Configurator.

**Rule 5** When using storage cards, you must install the device driver according to the card type, as listed below.

Using only an ATA card:



## Advanced Information for PC Cards

```
DEVICEHIGH=C:\THINKPAD\PAWATA.SYS
```

Using an ATA card and an SRAM card:

```
DEVICEHIGH=C:\THINKPAD\PAWATAS.SYS
```

Using an ATA card, an SRAM card, and a Flash card:

```
DEVICEHIGH=C:\THINKPAD\FLSHDMTD.SYS
```

```
↑ Flash card Memory Technology driver
```

```
DEVICEHIGH=C:\THINKPAD\PAWATASF.SYS
```

```
↑ ATA SRAM Flash card driver
```

**Rule 6** The Enhanced Card Services (IBMDSCSE.SYS) is necessary only when you are using a Flash card.

When the total storage of the Flash cards used at the same time exceeds 10MB, you must do one of the following:

Assign the /TSIZE:*n* parameter in the PAWATASF.SYS file.

For example:

1. If the maximum total storage is 20MB, specify:

```
DEVICE=PAWATASF.SYS /TSIZE:6
```

2. If the maximum total storage is 40MB, specify:

```
DEVICE=PAWATASF.SYS /TSIZE:1
```

See the /TSIZE parameter on page 261.

This increases the memory resident area for PAWATASF.SYS.

Assign the /EMS parameter in the PAWATASF.SYS file, and the /NE parameter in the IBMDOSCS.SYS file. This sets IBMDOSCS.SYS not to use the EMS page frame and allows PAWATASF.SYS to use it instead. (The EMS memory must be enabled.)

For example:

```
DEVICE=IBMDOSCS.SYS /NE
```

```
DEVICE=IBMDSCSE.SYS
```

```
:
```

```
DEVICE=PAWATASF.SYS /EMS
```

## Storage Card Device Driver

PCM2ATA.ADD, PCM2SRAM.SYS, and PCM2FLSH.SYS are storage card device drivers. The following section describes these storage card device drivers available in PC Card Director.

### PCMCIA Storage Card Device Driver for OS/2

**Note:**

Install PCM2ATA.ADD for all storage cards, even when you are using SRAM or Flash cards.

PCM2ATA.ADD supports ATA cards, PCM2SRAM.SYS supports SRAM cards, and PCM2FLSH.SYS supports Flash cards.

Any PC Card installed in the slot is recognized by its device driver, so regardless of its type, you can access the card by the drive name assigned to the slot. When using the PCMCIA ATA Card Mount Utility, install the PCMCIA Storage API device driver (PCMSSDIF.SYS) for OS/2.

### PCMCIA Storage Card Device Driver for DOS and Windows

ATA cards, SRAM cards, and Flash cards are PCMCIA storage cards. PAWATA.SYS supports ATA cards, PAWATAS.SYS supports ATA cards and SRAM cards, and PAWATASF.SYS supports ATA cards, SRAM cards, and Flash cards.

These device drivers assign a drive letter for each usable PCMCIA slot. These drive letters are displayed when the device drivers are initialized, and then you can use the drive letter to access the installed PCMCIA storage card. When you run FORMAT.COM against the drive letter, the SRAM card is formatted as a diskette and the ATA or Flash card is formatted as a nonremovable disk. In the File Manager under Windows, the drive letters are represented and treated as a diskette drive, regardless of the storage card type.

### Before Using PCMCIA Storage Cards

Format new PCMCIA storage cards before use. For Flash cards, run the Flash Format Utility (FFORMAT.EXE/FFORMAT2.EXE); then format the Flash card. For ATA cards and SRAM cards, there is no need to run any programs before formatting the card. Format using

## Advanced Information for PC Cards

the FORMAT.COM program, by displaying the File Manager (for Windows), or by choosing the drive icon (for OS/2).

### Using PCMCIA ATA Cards with Multiple Partitions

The device driver assigns a drive letter only to the active (bootable) partition of the ATA card if it holds multiple partitions. For other primary partitions or logical drives in an extended partition, use the PCMCIA ATA Card Mount utility to assign the drive letter to it.

### Parameters for the OS/2 PCMCIA ATA Card Device Driver

The following are the parameters in the OS/2 PCMCIA ATA card device driver and their explanations:

```
BASEDEV=PCM2ATA.ADD [/S:n] [/P:hhhh] [/EXIRQ:n]  
[/NOBEEP] [/B] [/STBTIME:n] [/MDRV:n] [!/DM]
```

- |                 |  |
|-----------------|--|
| <b>/S:n</b>     | Specifies the number of PC Card slots. /S:1 shows that there is only one PC Card slot. When this parameter is not set, the number of PC Card slots is set to 2.  |
| <b>/P:hhhh</b>  | Specifies the lower limit for the I/O address of the ATA card. The device driver assigns the next usable I/O address from this lower limit to the card. When this parameter is not set, the device driver looks for a usable address and assigns it to the card. |
| <b>/EXIRQ:n</b> | Specifies the IRQ level that <i>is not</i> assigned to the card. You can set more than one IRQ level.  |
| <b>/NOBEEP</b>  | Specifies not to beep when a storage card is installed. When this parameter is not set, you will hear a beep every time a storage card is installed into the PCMCIA slot.  |
| <b>/B</b>       | Specifies that OS/2 has started from an ATA card. When this parameter is set, there will be no redundancy in assigning the logical drive to the slot where OS/2 was booted. It depends on the ATA card whether you can start OS/2 from it.                       |

## Advanced Information for PC Cards

- /STBTIME:n** Specifies the time (from 1 to 21 minutes) until entering standby mode. When the ATA card is not accessed for the time specified by this parameter, the ATA card enters standby mode (only when your ATA card supports standby mode). When this parameter is not specified, standby mode for the ATA card is disabled.
- /MDRV:n** Specifies the number of extra drives that can be used in addition to the number of PCMCIA slots available for the PCMCIA storage devices. When this parameter is not specified, no extra drive is given to the device driver. The extra drives can be activated by the PCMCIA ATA Card Mount utility. For more information, see "ATA Card Mount Utility" on page 65.
- /!DM** Specifies not to use OS2DASD.DMD as the device manager. When this parameter is set, OS2PCARD.DMD is used instead.

## Parameters for DOS PCMCIA Storage Card Device Drivers

The following are the parameters in the DOS PCMCIA storage card device driver and their explanations:

```
DEVICE=[drive:] [directory] PAWATA.SYS [/P:hhhh] [/NOBEEP]
      [/STBTIME:n] [/MDRV:n]
DEVICE=[drive:] [directory] PAWATAS.SYS [/P:hhhh] [/NOBEEP]
      [/STBTIME:n] [/MDRV:n]
DEVICE=[drive:] [directory] PAWATASF.SYS [/P:hhhh]
      [/NOBEEP] [/STBTIME:n] [/MDRV:n] [/EMS] [/TSIZE:n]
```

- /P:hhhh** Specifies the lower limit for the I/O address of the ATA card. The device driver assigns the next usable I/O address from this lower limit to the card. When this parameter is not set, the device driver looks for a usable address and assigns that address to the card.
- /NOBEEP** Specifies not to beep when a storage card is installed. When this parameter is not set, you will hear a beep every time a storage card is installed into the PCMCIA slot.

## Advanced Information for PC Cards

**/STBTIME:*n*** Specifies the time (from 1 to 21 minutes) until entering standby mode. When the ATA card is not accessed for the time specified by this parameter, the ATA card enters standby mode (only when your ATA card supports standby mode). When this parameter is not specified, standby mode for the ATA card is disabled.

**/MDRV:*n*** Specifies the number of extra drives that can be used in addition to the number of PCMCIA slots available for the PCMCIA storage devices. When this parameter is not specified, no extra drive is given to the device driver. The extra drives can be activated by the PCMCIA ATA Card Mount Utility.

**/EMS** When this parameter is specified, the device driver uses the EMS resources if they are usable. When this parameter is not specified, the device driver does not use the EMS resources.

**/TSIZE:*n*** You can specify the size of the table for the device driver data in the resident memory area. When the EMS resources are not usable, the data tables are created in the resident memory area. When the EMS resources are usable, this parameter is ignored. The table size depends on the variable *n* and is calculated as follows:

$$\text{table size} = n \times 1024 \text{ bytes}$$

Specify *n* in a decimal number. When this parameter is not specified, the device driver creates the table with  $n=4$ . Select the variable *n* depending on the total capacity of the Flash card: The following is an example of the relationship between the variable *n* and the total capacity of the Flash card:

Up to 10MB:  $n=4$

Up to 20MB:  $n=6$

Up to 40MB:  $n=10$

## PCMCIA Storage Card Device Manager for OS/2

OS2PCARD.DMD is the device manager for the PCMCIA storage card. Specify the `!DM` parameter in the `PCM2ATA.ADD` line, so OS2PCARD.DMD is used instead of OS2DASD.DMD. If you do not specify `!DM`, `PCM2ATA.ADD` uses the OS/2 standard Storage Card Device Manager (OS2DASD.DMD); however, under some conditions the format will not be correct when you use OS2DASD.DMD.

The following is a line from the `CONFIG.SYS` file that describes the Storage Card Device Manager:

```
BASEDEV=OS2PCARD.DMD
```

## OS/2 PCMCIA Storage API Device Driver

This device driver provides a communication function between PC Card Director or the mount utility, and the OS/2 PCMCIA ATA card device driver. As a result, a utility in the upper layer can get the drive letter or partition information of the PCMCIA storage card.

The following is a line from the `CONFIG.SYS` file that describes the Storage API device driver:

```
DEVICE =[drive:][directory]PCMSSDIF.SYS
```

## Flash Card Memory Technology Driver

This driver is used to read and write to a Flash card. It is used by the DOS storage card device driver (`PAWATASF.SYS`) and OS2 Flash card driver (`PCM2FLSH.SYS`).

The following is a line from the `CONFIG.SYS` file that describes the Flash Card Memory Technology driver, according to the operating system:

For OS/2:

```
DEVICE =[drive:] [directory] FLSH2MTD.SYS ← Memory  
Technology driver  
DEVICE =[drive:] [directory] PCM2FLSH.SYS  
↑ Storage card device driver
```

## Advanced Information for PC Cards

For DOS and Windows:

```
DEVICE=[drive:] [directory] IBMDOSCS.SYS ← Card Services
DEVICE=[drive:] [directory] IBMDSCSE.SYS
    ↑ Enhanced Card Services
DEVICE=[drive:] [directory] FLSDMTD.SYS
    ↑ Memory Technology driver
DEVICE=[drive:] [directory] PAWATASF.SYS
    ↑ ATA SRAM Flash card device driver
```

## Checking the Allocated Resources for the PC Card

If the resources for the PC Cards are not correctly allocated, you will see error messages. You can check which resources for the PC Card were not correctly allocated by using PC Card Director. To check the resources that could not be allocated, click on the **Status** button in the PC Card Director program.

The following are some reasons why the resources could not be correctly allocated, and corresponding actions you should take to solve the problem.

The resource was already reserved by another device.  
Resource Map Utility or other configuration files were not set up correctly.

To change the resource settings for the PC Card or other devices, you can do one of the following:

Refer to the system manual or utility program and check which device is using the resources planned to be used by the PC Card. Then, change the settings for the device by using, for example, the setup programs. For more information, refer to the manuals supplied with your computer.

If your PC Card is enabled by a PC Card enabler, you can change the resources assigned for the PC Card by changing the parameters in the PC Card enabler, or change the settings in the configuration file of the PC Card. For more information, refer to the manuals supplied with your PC Card.

## Advanced Information for PC Cards

If you are using Auto Configurator to enable your PC Card, you can change the resources assigned to the PC Card by using the Auto Configurator. Make sure the resource is not used by other devices and can be used by the PC Card and its application program. For more information, see "Starting the Auto Configurator Utility for OS/2 or Windows" on page 249.

If you are using modem cards, some modem cards use serial port COM1 or COM2 and do not have the setup information for COM3 and COM4. These modem cards cannot be enabled when other devices are using COM1 and COM2. (For example, as a default, COM1 is used by the InfraRed device and COM2 is used by the Mwave modem.) There are error messages that the I/O port address 3F8 or 2F8, or IRQ level 3 or 4, were not allocated.

In this case use the ThinkPad Setup Utility in the ThinkPad Features program to:

- For OS/2: Disable the devices using COM1 or COM2; then restart the system.
- For DOS or Windows: Reserve COM2 for the PC Card, and use COM1 for other integrated communication devices.



## Avoiding PC Card Resource Conflicts

PC Card Director checks the resources for most devices used by the system to avoid resource conflicts, but does not recognize all option devices used. Especially, when you are using the Dock I or Dock II, there is a possibility that the I/O port address or IRQ level may conflict with the PC Card.

Check the status of the PC Card by using PC Card Director. When the PC Card is set to "Ready," the resources used for that PC Card are displayed. Refer to the manuals supplied with the system or option adapters to check that the resources for the devices in the system or for the option adapters are not conflicting with the resources for the IRQ level, I/O port address, or memory window of the PC Card. If you are using OS/2 Warp Version 3, you can check the assigned system resources using RMVIEW.EXE.

If there is a conflict:

Use the Resource Map Utility, so that those resources are not assigned to the PC Card. (Change the value for the /MA= parameter, or add the /MX=, /PX=, or /IX= parameter.)

If you are using OS/2 Warp Version 3, use RESERVE.SYS to register those resources in OS/2.

To set RESERVE.SYS, refer to the manuals or online help for OS/2 Warp, or refer to the READ.ME file of PC Card Director.

If you are using Auto Configurator, change the enabling order or resource information using the Auto Configurator Utility.

See "Starting the Auto Configurator Utility for DOS" on page 253 and "Starting the Auto Configurator Utility for OS/2 or Windows" on page 249.

Change the parameter for the PC Card enabler. Refer to the manuals supplied with the PC Card.

If you are using network cards, change the resource information for the PC Card stated in the PROTOCOL.INI or NET.CFG file.

To change the configuration file of the network cards, refer to the manuals or READ.ME files of the PC Cards or network drivers.

**Advanced Information for PC Cards**

## Appendix C. Additional Information for Mwave DSP Feature

---

**Note:**

In some countries, the Mwave telephony functions are available only after the DAA/Telephony Kit option is installed.

This appendix provides detailed information about the ThinkPad Mwave DSP Features.

### Audio Information

This section provides information about the ThinkPad audio features.

#### Sound

The Mwave DSP features provide support for Windows Version 3.11 audio applications that comply with the Windows MultiMedia Extensions (MME) for audio; for example, Windows Sound Recorder and Windows Media Player that are shipped with Windows Version 3.11.

In general, recording audio music and speech at higher quality requires more disk storage. The following table shows some typical values for various sampling rates:

Sample Rate	Sample Size	Frequency Range	Signal/Noise Ratio	Remarks
44.1 KHz	16 bits	20 Hz — 20 KHz	80 dB	CD quality
22.05 KHz	16 bits	20 Hz — 10 KHz	80 dB	< CD quality
11 KHz	16 bits	20 Hz — 5 KHz	80 dB	AM quality
9.6 KHz	14 bits	200 Hz — 4 KHz	60 dB	Toll quality
8.0 KHz	8 bits	200 Hz — 4 KHz	60 dB	Toll quality

## Mwave MIDI Overview

### Mwave MIDI Synthesizer Overview

The Mwave audio features can be a music synthesizer, creating realistic instrument sounds from a sequence of MIDI commands. The MIDI standard defines a very compact representation for music. MIDI is composed of a sequence of commands representing musical events, such as a key press on a music keyboard.

The Mwave Windows Audio Device Driver provides a sampled sound MIDI synthesizer that exceeds the Base Multitimbral requirements of the MPC 1 and MPC 2 specifications.

The Mwave synthesizer is enhanced with a QSound\*\* process. QSound is a signal processing technique used to deceive the acoustic response system (hearing) of a listener. Audio from a stereo speaker system that has been processed by QSound can give the listener the perception that the speakers are displaced much further to the listener's left and right than they actually are.

This is particularly useful for a personal computer system, in which table space is limited, and a small set of speakers are located immediately adjacent to the computer. The angular displacement of the speakers to the listener's left and right is ordinarily not enough to produce a decent stereo effect. But with QSound processing, the listener can perceive sound coming from a variety of directions, some of which are significantly further to the left and right than the actual location of the speakers. The net result is a significantly improved stereo effect.

To optimize the QSound effect, sit directly in front of the computer with the speakers equally distant from both sides of the computer.

### Understanding the MIDI Mapper

The MIDI Mapper is a program included with Microsoft Windows that interacts with the Mwave Windows Synthesizer Device Driver to control the way sounds are created on your Mwave feature. In Windows MIDI applications allowing you to specify a MIDI output

## Information for Mwave DSP Features

device, select the Windows MIDI Mapper as the output device rather than sending output to the Mwave driver directly.

The MIDI Mapper controls which of the 16 MIDI channels to send to the Mwave feature for playback. The MPC audio specification describes two types of synthesizers. The BASE Multitimbral synthesizer transmits data on MIDI channels 13–16 and supports 8 simultaneous voices (8 notes at once, each of which can come from a different instrument). The EXTENDED Multitimbral synthesizer transmits data on MIDI channels 1–10 and supports 32 simultaneous voices.

The Mwave feature supplies the following MIDI Mappers for selecting which MIDI format to use for Mwave:

**Mwave EXT GM** For Mwave MIDI synthesizer channels 1–10

**Mwave Base GM** For Mwave MIDI synthesizer channels 13–16

The MPC standard requires authors to provide two versions of every MIDI composition stored in the same file. Channels 1–10 hold the version written for Extended Multitimbral synthesizers, whereas channels 13–16 hold the version written for Base Multitimbral synthesizers.

Most MIDI files included with Windows applications follow this standard of containing two versions of each composition. This is why the Mwave MIDI synthesizer comes with both Base and Extended MIDI Mapper setups. If all channels were played at once, both versions of a MIDI composition would play at the same time. The Mwave Windows synthesizer usually sounds best when the Mwave EXT GM setup is selected in the MIDI Mapper.

If you have a MIDI file that is not producing sound on your Mwave feature, MIDI commands may be being sent on a set of channels the MIDI Mapper is not responding to. Try using the Windows MIDI Mapper to switch the setup between Mwave Base and Mwave Extended Multitimbral modes. This lets you see if the MIDI commands in the file are provided for only one of the two modes.

## Information for Mwave DSP Features

### Other MIDI Controls

The Mwave feature's MIDI synthesizer recognizes several types of control information in the MIDI data stream:

- Key velocity** The harder the key is pressed, the louder the note sounds.
- Main volume** This is usually controlled by a knob on a MIDI keyboard. It is received on control number 7.
- Pitch bend** This can be used to mimic the sound of a whammy bar on a guitar and is usually controlled by a thumb wheel on a MIDI keyboard. Note pitch can be varied (+-)2 semitones.
- Pan** The Mwave feature's MIDI synthesizer uses QSound to implement pan. By using QSound, the position of each channel's instrument is not limited by the position of the speakers. It is received on control number 10.
- Vibrato** Also referred to as *modulation*, this control produces rapid, small changes in the pitch of a note and is usually controlled by a thumb wheel on a MIDI keyboard. Vibrato depth can be varied (+-)2 semitones. It is received on control number 1.
- Sustain** Each note of an instrument has an envelope that describes the loudness of the note during attack, decay, sustain, and release periods. Some MIDI keyboards can be used with a pianolike sustain pedal that prolongs the sustain period to mimic holding a note. It is received on control number 64.

## Telephony Information

This section provides additional information about the ThinkPad telephony features.

### *United States Telephone Consumer Protection Act of 1991 (Facsimile Devices)*

The Telephone Consumer Protection Act of 1991 makes it unlawful for any person to use a computer or other electronic device to send any message via a telephone facsimile machine unless such message clearly contains, in a margin at the top or bottom of each transmitted page or on the first page of the transmission, the date and time it is sent and an identification of the business, other entity, or individual sending the message and the telephone number of the sending machine or such business, other entity, or individual.

In order to program this information into your facsimile, you should refer to the accompanying fax software package.

**Information for Mwave DSP Features**



## Appendix D. Using PS2 Commands

---

Please note that PS2 commands are subject to change without notice. If you enter a command written in this section and receive an error, type **PS2 ?** and refer to the online help menu.

You can enter the following PS2 commands from the DOS command prompt (of OS/2 and Windows, also) to set the features for your computer. When entering a command, enter it in the following syntax.

**PS2** [*Parameter1*] [*Parameter2*] [*Parameter3*]

### Syntax Rules

Follow the rules below when you enter a command.

<b>Syntax</b>	<b>Rule</b>
	Select one of the options on either side of the vertical bar (   ).
<b>Highlighted</b>	Enter the exact highlighted letters in either uppercase or lowercase.
UPPERCASE	Enter any value for the following: XX: 0 - 20      HH: 0 - 23 MM: 0 - 59      SS: 0 - 59  The MM (minutes) and SS (seconds) are optional. The default values are 0.
lowercase	Command elements in lowercase are optional. For example, <b>PS2 SE OF</b> and of <b>PS2 Serial OFf</b> gives the same results.

## Using PS2 Commands

The following is a list of commonly used PS2 commands. It is organized as follows:

### *Description of the command*

Parameter1	Parameter2	Parameter3
------------	------------	------------

### **Power Management Commands**

Sets power on or off for the PCMCIA slots.

<b>CARD</b>	<b>ON   OFF</b>	—
-------------	-----------------	---

Sets whether or not to enter suspend mode when the LCD is closed.

<b>Cover</b>	<b>Enable   Disable</b>	—
--------------	-------------------------	---

Sets POWER, LCd, DISK, SSpeed, and STandby to their original values.

<b>DEFAULT</b>	—	—
----------------	---	---

#### **Note:**

This command is effective on the current power mode set by the PM command.

When to discharge:

 Page 95.

Discharges the battery pack.

<b>DISCHARGE</b>	<b>Enable   Disable</b>	—
------------------	-------------------------	---

*When a secondary battery pack is installed:*

<b>DISCHARGE</b>	<b>MAIN   2ND</b>	<b>Enable   Disable</b>
------------------	-------------------	-------------------------

#### **Note:**

This command is effective on the current power mode set by the PM commands.

Sets the hard disk drive power-saving timer for the specified number of minutes (xx).

<b>DISK</b>	xx	—
-------------	----	---

Enters standby or suspend mode when attaching an expansion unit.

<b>DOCK</b>	<b>Partial   Full</b>	—
-------------	-----------------------	---

## Using PS2 Commands

**Note:**

Only on models with Mwave DSP installed.

Sets the features for the digital signal processor (DSP).

<b>DSP</b>	Enable   Disable <b>ADDRESS</b>  <b>DMA</b> <b>IRQ</b>	— <b>0030   4E30   8E30</b> <b>  CE30</b> <b>0   1   6   7</b> <b>5   7   10   11   15</b>
------------	--	--

Sets the features for the infrared port (IR).

<b>IR</b>	Enable   Disable <b>ON   OFF</b> <b>PORT</b> <b>Mode</b> <b>COMADDRESS</b> <b>IRADDRESS</b> <b>IRQ</b> <b>DMA03</b>	— — <b>Front   Rear   Both</b> <b>TPad   Sharp</b> <b>3F8   2F8   3E8   2E8</b> <b>1A0   1B0   1C0   1D0</b> <b>3   4   5   10   11   15</b> <b>Enable   Disable</b>
-----------	--	---

**Note:**

Use this command before using other hibernation commands.

Creates the hibernation file.

<b>HFILE</b>	<b>C – Z   DELETE</b>	—
--------------	-----------------------	---

**Note:**

Create the hibernation file using the HFILE command before using this command.

Enters hibernation mode when the power switch is pressed.

<b>HSWITCH</b>	Enable   Disable	
----------------	------------------	--

Sets the timer to enter hibernation mode after the specified number of minutes (xx).

<b>HTimer</b>	xx	[AC   DC]
---------------	----	-----------

**Note:**

Create the hibernation file using the HFILE command before using the LB H command.

Sets the power management mode to enter when a low-battery condition occurs.

AC: Specifies battery mode when the AC Adapter is connected.

DC: Specifies ac mode when using battery power.

<b>LBattery</b>	Suspend   Hibernation	—
-----------------	-----------------------	---

**Note:**

This command is effective on the current power mode set by the PM command.

Sets the LCD off when there is no computer operation after the specified number of minutes (xx).

<b>LCd</b>	xx	—
------------	----	---

## Using PS2 Commands

**Note:**

yyyy can be set from 1995 to 2093.

Sets the resume timer.

<b>ON</b> at	[yyyy/MM/DD] HH:MM:SS   Clear	—
--------------	----------------------------------	---

Sets the power mode.

<b>PM</b> ode	High   Auto   Custom	[AC   DC]
---------------	----------------------	-----------

**Note:**

When the **AC** or **DC** option is not specified, this command is effective on the current power mode set by the PM command.

Sets the timer to enter suspend mode after the specified number of minutes (xx).

AC: Specifies battery mode when the AC Adapter is connected.

DC: Specifies ac mode when using battery power.

<b>PO</b> wer	xx	[AC   DC]
---------------	----	-----------

RediSafe suspend mode:

 Page 102.

Resumes normal operation when detecting the ring indicator.

<b>RI</b>	Enable   Disable	—
-----------	------------------	---

Enters the RediSafe suspend mode.

<b>SA</b> fe	Enable   Disable	—
--------------	------------------	---

Sets power on or off for the serial device attached to the serial port.

<b>SE</b> rial	ON   OFF	—
----------------	----------	---

**Note:**

When the **AC** or **DC** option is not specified, this command is effective on the current power mode set by the PM commands.

Sets the processor speed.

AC: Specifies battery mode when the AC Adapter is connected.

DC: Specifies ac mode when using battery power.

<b>SP</b> eed	Fixed   Auto	MAX   Medium   Slow   MIN	[AC   DC]
---------------	--------------	---------------------------	-----------

Sets the timer to enter hibernation mode from suspend mode after the specified number of minutes.

<b>S2H</b>	30   60   90   Disable	—
------------	------------------------	---

## Using PS2 Commands

Sets the timer to enter standby mode after the specified number of minutes (xx).

AC: Specifies battery mode when the AC Adapter is connected.

DC: Specifies ac mode when using battery power.

<b>ST</b> andby	xx	[AC   DC]
-----------------	----	-----------

### Note:

Create the hibernation file using the HFILE command before using the TH command.

Sets the power management mode to enter by the automatic power-saving timer.

<b>T</b> imer	Suspend   Hibernation	—
---------------	-----------------------	---

### Display Commands

Sets the screen expansion.

<b>HVEXP</b> ansion	ON   OFF	—
---------------------	----------	---

Sets where to display information.

<b>S</b> creen	LCD   CRT   BOTH	—
----------------	------------------	---

Sets the frequency for the external display.

<b>V</b> SYNC	640×480 800×600 1024×768	60   72   75 56   60   72   Disable 43   60   70   72   75   Disable
---------------	--------------------------------	---

### Alarm (Sound) Commands

Sets the computer to beep in certain conditions.

<b>B</b> EEP	ON   OFF	Alarm   System   Warn
--------------	----------	--------------------------

Sets the speaker LCD indicator to appear when the computer beeps.

<b>S</b> Led	Enable   Disable	—
--------------	------------------	---

## Using PS2 Commands

**Note:**

The help for this command appears only when an expansion unit is attached to the computer.

Sets the balance for the attached expansion unit.

<b>XB</b> alance	<b>0 – 10</b>	—
------------------	---------------	---

**Note:**

The help for this command appears only when an expansion unit is attached to the computer.

Sets the volume for the attached expansion unit.

<b>XV</b> olume	<b>0 – 10</b>	—
-----------------	---------------	---

### **System Setup Commands**

**Note:**

This command is effective only when an option is installed in the UltraBay.

Sets the IRQ level for the option in the UltraBay to 15.

<b>IDE2</b>	<b>Enable   Disable</b>	—
-------------	-------------------------	---

Displays the DMA channel assignments.

<b>? DMA</b>	—	—
--------------	---	---

Sets the Fn key lock function.

<b>FNS</b> ticky	<b>Enable   Disable</b>	—
------------------	-------------------------	---

Sets the **HVEXP**ansion command to on or off with the Fn+F8 key combination.

<b>F8</b>	<b>Enable   Disable</b>	—
-----------	-------------------------	---

Sets the features for the internal modem/fax.

<b>IMODEM</b>	<b>Enable   Disable</b> <b>ADDRESS</b>	— <b>1   2   3   4</b>
---------------	---	---------------------------

Displays the interrupt level assignments.

<b>? IRQ</b>	—	—
--------------	---	---

## Using PS2 Commands

Sets the keyboard typematic speed.

<b>KRate</b>	Normal   Fast	—
--------------	---------------	---

Sets the features for the parallel port.

<b>PARallel</b>	Enable   Disable <b>ADDRESS</b> <b>MODE</b> <b>DMA</b>	— <b>LPT1   LPT2   LPT3</b> <b>Uni   Bi   EPP   ECP</b> <b>0   1   3   Disable</b>
-----------------	---	---

Sets the features for the serial port.

<b>SERA</b>	Enable   Disable <b>ADDRESS</b>	— <b>1   2   3   4</b>
-------------	------------------------------------	---------------------------

Disables the screen off, standby, and suspend timers for presentations.

<b>PRESEntation</b>	Enable   Disable	—
---------------------	------------------	---

Sets the features for the Sound Blaster emulation.

<b>SB</b>	Enable   Disable <b>ADDRESS</b> <b>DMA</b> <b>IRQ</b>	— <b>220   240</b> <b>0   1   6   7</b> <b>5   7   10   11</b>
-----------	--	---

Sets the startup screen when the computer power is turned on.

<b>STARTup</b>	Enable   Disable	—
----------------	------------------	---

Sets the TrackPoint III.

<b>TPOint</b>	Enable   Disable	—
---------------	------------------	---

### **Other Commands**

Displays the help menu.

<b>?   Help</b>	—	—
-----------------	---	---

## Using PS2 Commands

Sets the A drive to the internal or external diskette drive.

<b>FDD</b>	Internal   External	—
------------	---------------------	---

Enters hibernation mode.

<b>HIB</b> ernation	—	—
---------------------	---	---

Enters suspend mode.

<b>OFF</b>   <b>SUS</b> pend	—	—
------------------------------	---	---

Turns off the computer.

<b>TURN</b>	<b>OFF</b>	—
-------------	------------	---

**Note:**

Create the hibernation file using the HFILE command before using this command.



## Appendix E. Features and Specifications

---

This appendix describes features and specifications for the computer. For more information, refer to the *Technical Reference* manual.

### Features

#### Microprocessor

Intel\*\* Pentium\*\* Processor 90MHz or 120MHz  
256KB external cache memory

#### Memory

Onboard (built-in): 8MB RAM  
Optional: 4MB, 8MB, and 16MB DIMMs with DIMM adapter

#### Storage devices

2.5-inch removable hard disk drive  
3.5-inch 2.88MB or 1.44MB removable diskette drive

#### Display

TFT color LCD, supporting up to 16 777 216 colors  
12.1 inches or 10.4 inches (when measured diagonally)  
Up to 800-by-600 resolution on the LCD  
Up to 1024-by-768 resolution on the external display  
Brightness control

#### Keyboard

84-key, 85-key, or 89-key  
TrackPoint III  
Fn key function

#### External interface

Serial connector (EIA-RS232D)  
Parallel connector (Centronics)  
External input-device connector  
External-display connector  
PCMCIA slots (two Type I or Type II PC Cards, or one Type III PC Card)

## Features and Specifications

Headphone jack

Microphone/line-in jack (supports a dynamic microphone or a self-battery-powered condenser microphone)

Fax/modem port (in some countries, available as an option)

Infrared ports

### **System bus**

240-pin, 16-bit AT bus connector

## Specifications

### Size

Width: 297 mm (11.7 in.)

Depth: 210 mm (8.3 in.)

Height:

- Model with 10.4-inch LCD: 44.2 mm (1.74 in.)
- Model with 12.1-inch LCD: 48.7 mm (1.92 in.)

### Weight

Minimum configuration with lithium ion battery pack:

Model with 10.4-inch LCD: 2.77 kg (6.10 lb.)

Model with 12.1-inch LCD: 3.07 kg (6.76 lb.)

### Environment

Temperature (at altitudes less than 2438 m (8000 ft)):

- Operating<sup>1</sup> 5° to 35°C (41° to 95°F)
- Operating<sup>2</sup> 10° to 35°C (50° to 95°F)
- Non-operating: 5° to 43°C (41° to 109°F)

Relative Humidity:

- Operating<sup>1</sup> 8% to 95%
- Operating<sup>2</sup> 8% to 80%

Maximum altitude: 3048 m (10 000 ft)<sup>3</sup>

- Maximum temperature at 3048 m (10 000 ft): 31.3°C (88° F)

### Heat output

Approximately 30 Kcal per hour

### Electrical (AC Adapter)

Sine-wave input, at 50 to 60 Hz, is required

The input rating of the AC Adapter: 100–240 V ac, 50/60 Hz.

#### Note:

When you charge the lithium ion battery pack, its temperature must be at least 10°C (50°F).

<sup>1</sup> With no diskette in drive.

<sup>2</sup> With diskette in drive.

<sup>3</sup> In unpressurized conditions.

## Features and Specifications

### Lithium ion battery pack

Nominal voltage: 10.8 V dc

Capacity: 2.8 AH

## IBM Power Cords

For your safety, IBM provides a power cord with a grounded attachment plug to use with this IBM product. To avoid electrical shock, always use the power cord and plug with a properly grounded outlet.

IBM power cords used in the United States and Canada are listed by Underwriters Laboratory (UL) and certified by the Canadian Standards Association (CSA).

For units intended to be operated at 115 volts: Use a UL-listed and CSA-certified cord set consisting of a minimum 18 AWG, Type SVT or SJT, three-conductor cord, a maximum of 15 feet in length, and a parallel blade, grounding-type attachment plug rated 15 amperes, 125 volts.

For units intended to be operated at 230 volts (in the U.S.): Use a UL-listed and CSA-certified cord set consisting of a minimum 18 AWG, Type SVT or SJT, three-conductor cord, a maximum of 15 feet in length, and a tandem blade, grounding-type attachment plug rated 15 amperes, 250 volts.

For units intended to be operated at 230 volts (outside the U.S.): Use a cord set with a grounding-type attachment plug rated 15 amperes (minimum), 250 volts. The cord set should be marked <HAR> and have the appropriate safety approvals for the country in which the equipment will be installed.

IBM power cords for a specific country are usually available only in that country:

## Features and Specifications

<b>IBM Power Cord Part Number</b>	<b>Used in These Countries</b>
25H2205	Argentina, Australia, New Guinea, New Zealand, Papua, Paraguay, Uruguay
25H2207	Bahamas, Barbados, Bermuda, Bolivia, Canada, Cayman Islands, Colombia, Costa Rica, Dominican Republic, Ecuador, El Salvador, Guatemala, Guyana, Haiti, Honduras, Jamaica, Korea (South), Mexico, Netherlands Antilles, Nicaragua, Panama, Peru, Philippines, Saudi Arabia, Suriname, Taiwan, Trinidad (West Indies), United States of America, Venezuela
25H2219	Thailand
25H2209	Austria, Belgium, Bulgaria, Czech Republic, Egypt, Finland, France, Germany, Greece, Hungary, Iceland, Indonesia, Netherlands, Norway, Poland, Portugal, Romania, Slovakia, Spain, Sweden, Turkey, former Yugoslavia
25H2211	Denmark
25H2213	Bangladesh, Pakistan, South Africa, Sri Lanka
25H2215	Abu Dhabi, Albania, Antigua, Bahrain, Brunei, Dubai, Fiji, Hong Kong, India, Ireland, Kenya, Kuwait, Macao, Malaysia, Nigeria, Oman, People's Republic of China, Qatar, Singapore, United Kingdom
25H2221	Switzerland
25H2223	Chile, Italy
25H2225	Israel
85G6665	Japan (2-pin)

## Features and Specifications

# Diskette Standards

To get the best performance from your diskette drives, use high-quality diskettes (such as IBM diskettes) that meet or exceed the following standards:

**1MB, 3.5-inch, unformatted diskette:**

ANSI (American National Standards Institute) X3.137  
ISO (International Standards Organization) 8860  
ECMA (European Computer Manufacturers Association) 100

**2MB, 3.5-inch, unformatted diskette:**

ANSI X3.171  
ISO 9529  
ECMA 125

**Note:**

In some country, 4MB diskettes can be used when the diskette drive option is installed.

**4MB, 3.5-inch, unformatted diskette:**

ANSI Standard (under proposal at the time of printing)  
ISO 10994 (Type 303)  
ECMA 147

## Appendix F. Product Warranties and Notices

---

International Business Machines Corporation

Armonk, New York 10504

### Statement of Limited Warranty

*The warranties provided by IBM in this Statement of Limited Warranty apply only to Machines you originally purchase for your use, and not for resale, from IBM or an IBM authorized reseller. The term "Machine" means an IBM machine, its features, conversions, upgrades, elements, or accessories, or any combination of them. Machines are subject to these terms only if purchased in the United States or Puerto Rico, or Canada, and located in the country of purchase. If you have any questions, contact IBM or your reseller.*

**Machine:** IBM ThinkPad 760C except the Battery Pack

**Warranty Period\*:** Three Years

*\*Elements and accessories are warranted for three months. Contact your place of purchase for warranty service information.*

### Production Status

Each Machine is manufactured from new parts, or new and serviceable used parts (which perform like new parts). In some cases, the Machine may not be new and may have been previously installed. Regardless of the Machine's production status, IBM's warranty terms apply.

### The IBM Warranty

IBM warrants that each Machine 1) is free from defects in materials and workmanship and 2) conforms to IBM's Official Published Specifications. IBM calculates the expiration of the warranty period from the Machine's Date of Installation. The date on your receipt is the Date of Installation, unless IBM or your reseller informs you otherwise.

During the warranty period, IBM or your reseller will provide warranty service under the type of service designated for the Machine and will manage and install engineering changes that apply to the Machine. IBM or your reseller will specify the type of service.

For a feature, conversion, or upgrade, IBM or your reseller may require that the Machine on which it is installed be 1) the designated, serial-numbered Machine and 2) at an engineering-change level compatible with the feature, conversion, or upgrade. Some of these transactions (called "Net-Priced" transactions) may include additional parts and associated replacement parts that are provided on an exchange basis. All removed parts become the property of IBM and must be returned to IBM.

Replacement parts assume the remaining warranty of the parts they replace.

If a Machine does not function as warranted during the warranty period, IBM or your reseller will repair or replace it (with a Machine that is at least functionally equivalent) without charge. If IBM or your reseller is unable to do so, you may return it to your place of purchase and your money will be refunded.

If you transfer a Machine to another user, warranty service is available to that user for the remainder of the warranty period. You should give your proof of purchase and this Statement to that user.

### Warranty Service

To obtain warranty service for the Machine, you should contact your reseller or call IBM. In the United States, call IBM at **1-800-772-2227**. In Canada, call IBM at **1-800-565-3344**. You may be required to present proof of purchase.

Depending on the Machine, the service may be 1) a "Repair" service at your location (called "On-site") or at one of IBM's or a reseller's service locations (called "Carry-in") or 2) an "Exchange" service, either On-site or Carry-in.

## Product Warranties and Notices

When a type of service involves the exchange of a Machine or part, the item IBM or your reseller replaces becomes its property and the replacement becomes yours. The replacement may not be new, but will be in good working order and at least functionally equivalent to the item replaced.

It is your responsibility to:

1. obtain authorization from the owner (for example, your lessor) to have IBM or your reseller service a Machine that you do not own;
2. where applicable, before service is provided —
  - a) follow the problem determination, problem analysis, and service request procedures that IBM or your reseller provide,
  - b) secure all programs, data, and funds contained in a Machine,
  - c) inform IBM or your reseller of changes in a Machine's location, and
  - d) for a Machine with exchange service, remove all features, parts, options, alterations, and attachments not under warranty service. Also, the Machine must be free of any legal obligations or restrictions that prevent its exchange; and
3. be responsible for loss of, or damage to, a Machine in transit when you are responsible for the transportation charges.

### Extent of Warranty

IBM does not warrant uninterrupted or error-free operation of a Machine.

Misuse, accident, modification, unsuitable physical or operating environment, improper maintenance by you, or failure caused by a product for which IBM is not responsible may void the warranties.

THESE WARRANTIES REPLACE ALL OTHER WARRANTIES, EXPRESS OR IMPLIED, INCLUDING, BUT NOT LIMITED TO, THE IMPLIED WARRANTIES OF MERCHANTABILITY AND FITNESS FOR A PARTICULAR PURPOSE. HOWEVER, SOME LAWS DO NOT ALLOW THE EXCLUSION OF IMPLIED WARRANTIES. IF THESE LAWS APPLY, THEN ALL EXPRESS AND IMPLIED WARRANTIES ARE LIMITED IN DURATION TO THE WARRANTY PERIOD. NO WARRANTIES APPLY AFTER THAT PERIOD.

In Canada, warranties include both warranties and conditions.

Some jurisdictions do not allow limitations on how long an implied warranty lasts, so the above limitation may not apply to you.

### Limitation of Liability

Circumstances may arise where, because of a default on IBM's part (including fundamental breach) or other liability (including negligence and misrepresentation), you are entitled to recover damages from IBM. In each such instance, regardless of the basis on which you are entitled to claim damages, IBM is liable only for:

1. bodily injury (including death), and damage to real property and tangible personal property; and
2. the amount of any other actual loss or damage, up to the greater of \$100,000 or the charge for the Machine that is the subject of the claim.

Under no circumstances is IBM liable for any of the following:

1. third-party claims against you for losses or damages (other than those under the first item listed above);
2. loss of, or damage to, your records or data; or
3. economic consequential damages (including lost profits or savings) or incidental damages, even if IBM is informed of their possibility.

Some jurisdictions do not allow the exclusion or limitation of incidental or consequential damages, so the above limitation or exclusion may not apply to you. This warranty gives you specific legal rights and you may also have other rights which vary from jurisdiction to jurisdiction.



## Product Warranties and Notices

International Business Machines Corporation

Armonk, New York 10504

### Statement of Limited Warranty

*The warranties provided by IBM in this Statement of Limited Warranty apply only to Machines you originally purchase for your use, and not for resale, from IBM or an IBM authorized reseller. The term "Machine" means an IBM machine, its features, conversions, upgrades, elements, or accessories, or any combination of them. Machines are subject to these terms only if purchased in the United States or Puerto Rico, or Canada, and located in the country of purchase. If you have any questions, contact IBM or your reseller.*

**Machine:** Battery Pack

**Warranty Period\*:** One Year

*\*Elements and accessories are warranted for three months. Contact your place of purchase for warranty service information.*

### Production Status

Each Machine is manufactured from new parts, or new and serviceable used parts (which perform like new parts). In some cases, the Machine may not be new and may have been previously installed. Regardless of the Machine's production status, IBM's warranty terms apply.

### The IBM Warranty

IBM warrants that each Machine 1) is free from defects in materials and workmanship and 2) conforms to IBM's Official Published Specifications. IBM calculates the expiration of the warranty period from the Machine's Date of Installation. The date on your receipt is the Date of Installation, unless IBM or your reseller informs you otherwise.

During the warranty period, IBM or your reseller will provide warranty service under the type of service designated for the Machine and will manage and install engineering changes that apply to the Machine. IBM or your reseller will specify the type of service.

For a feature, conversion, or upgrade, IBM or your reseller may require that the Machine on which it is installed be 1) the designated, serial-numbered Machine and 2) at an engineering-change level compatible with the feature, conversion, or upgrade. Some of these transactions (called "Net-Priced" transactions) may include additional parts and associated replacement parts that are provided on an exchange basis. All removed parts become the property of IBM and must be returned to IBM.

Replacement parts assume the remaining warranty of the parts they replace.

If a Machine does not function as warranted during the warranty period, IBM or your reseller will repair or replace it (with a Machine that is at least functionally equivalent) without charge. If IBM or your reseller is unable to do so, you may return it to your place of purchase and your money will be refunded.

If you transfer a Machine to another user, warranty service is available to that user for the remainder of the warranty period. You should give your proof of purchase and this Statement to that user.

### Warranty Service

To obtain warranty service for the Machine, you should contact your reseller or call IBM. In the United States, call IBM at **1-800-772-2227**. In Canada, call IBM at **1-800-565-3344**. You may be required to present proof of purchase.

Depending on the Machine, the service may be 1) a "Repair" service at your location (called "On-site") or at one of IBM's or a reseller's service locations (called "Carry-in") or 2) an "Exchange" service, either On-site or Carry-in.

## Product Warranties and Notices

When a type of service involves the exchange of a Machine or part, the item IBM or your reseller replaces becomes its property and the replacement becomes yours. The replacement may not be new, but will be in good working order and at least functionally equivalent to the item replaced.

It is your responsibility to:

1. obtain authorization from the owner (for example, your lessor) to have IBM or your reseller service a Machine that you do not own;
2. where applicable, before service is provided —
  - a) follow the problem determination, problem analysis, and service request procedures that IBM or your reseller provide,
  - b) secure all programs, data, and funds contained in a Machine,
  - c) inform IBM or your reseller of changes in a Machine's location, and
  - d) for a Machine with exchange service, remove all features, parts, options, alterations, and attachments not under warranty service. Also, the Machine must be free of any legal obligations or restrictions that prevent its exchange; and
3. be responsible for loss of, or damage to, a Machine in transit when you are responsible for the transportation charges.

### Extent of Warranty

IBM does not warrant uninterrupted or error-free operation of a Machine.

Misuse, accident, modification, unsuitable physical or operating environment, improper maintenance by you, or failure caused by a product for which IBM is not responsible may void the warranties.

THESE WARRANTIES REPLACE ALL OTHER WARRANTIES, EXPRESS OR IMPLIED, INCLUDING, BUT NOT LIMITED TO, THE IMPLIED WARRANTIES OF MERCHANTABILITY AND FITNESS FOR A PARTICULAR PURPOSE. HOWEVER, SOME LAWS DO NOT ALLOW THE EXCLUSION OF IMPLIED WARRANTIES. IF THESE LAWS APPLY, THEN ALL EXPRESS AND IMPLIED WARRANTIES ARE LIMITED IN DURATION TO THE WARRANTY PERIOD. NO WARRANTIES APPLY AFTER THAT PERIOD.

In Canada, warranties include both warranties and conditions.

Some jurisdictions do not allow limitations on how long an implied warranty lasts, so the above limitation may not apply to you.

### Limitation of Liability

Circumstances may arise where, because of a default on IBM's part (including fundamental breach) or other liability (including negligence and misrepresentation), you are entitled to recover damages from IBM. In each such instance, regardless of the basis on which you are entitled to claim damages, IBM is liable only for:

1. bodily injury (including death), and damage to real property and tangible personal property; and
2. the amount of any other actual loss or damage, up to the greater of \$100,000 or the charge for the Machine that is the subject of the claim.

Under no circumstances is IBM liable for any of the following:

1. third-party claims against you for losses or damages (other than those under the first item listed above);
2. loss of, or damage to, your records or data; or
3. economic consequential damages (including lost profits or savings) or incidental damages, even if IBM is informed of their possibility.

Some jurisdictions do not allow the exclusion or limitation of incidental or consequential damages, so the above limitation or exclusion may not apply to you. This warranty gives you specific legal rights and you may also have other rights which vary from jurisdiction to jurisdiction.

## Notices

References in this publication to IBM products, programs, or services do not imply that IBM intends to make these available in all countries in which IBM operates. Any reference to an IBM product, program, or service is not intended to state or imply that only that IBM product, program, or service may be used. Any functionally equivalent product, program, or service that does not infringe any of the intellectual property rights of IBM may be used instead of the IBM product, program, or service. The evaluation and verification of operation in conjunction with other products, except those expressly designated by IBM, are the responsibility of the user.

IBM may have patents or pending patent applications covering subject matter in this document. The furnishing of this document does not give you any license to these patents. You can send license inquiries, in writing, to the IBM Director of Licensing, IBM Corporation, 500 Columbus Avenue, Thornwood, NY 10594, U.S.A.

## Trademarks

The following terms, in this publication, are trademarks of the IBM Corporation in the United States and/or other countries:

AT	IBM
Multimedia Presentation Manager/2	MMPM/2
Mwave	Operating System/2
OS/2	OS/2 Warp
PS/2	ThinkPad
TrackPoint III	Win-OS/2

The following terms, denoted by a double asterisk (\*\*) in this publication, are trademarks of other companies as follows:

America Online	America Online, Inc.
Bell	AT&T Bell Laboratories
Centronics	Centronics Data Computer Corporation
CompuServe	CompuServe, Inc.
Hewlett Packard	Hewlett Packard Corporation
Hayes	Hayes Corporation
Indeo	Intel Corporation
Intel	Intel Corporation

## Product Warranties and Notices

IntelDX4	Intel Corporation
Kensington	Kensington Microware, Inc.
MCI	Microsoft Corporation
MicroSaver	Kensington Microware, Inc.
MNP	Microcomm, Inc.
Microsoft	Microsoft Corporation
MS-DOS	Microsoft Corporation
Omnibook	Hewlett Packard Corporation
PCMCIA	Personal Computer Memory Card International Association
Phoenix	Phoenix Technologies, Ltd.
Prodigy	PRODIGY Services
Prosonus	Prosonus, Inc.
QEMM	Quarterdeck Office Systems
QSound	QSound, Inc.
Sharp	Sharp Corporation
Sound Blaster	Creative Labs, Inc.
Video for Windows	Microsoft Corporation
Western Digital	Western Digital Corporation
Windows	Microsoft Corporation
Wizard	Sharp Corporation
386MAX	Qualitas, Inc.
100LX	Hewlett Packard Corporation
200LX	Hewlett Packard Corporation

## Electronic Emission Notice

### *Federal Communications Commission (FCC) Statement*

**Note:** This equipment has been tested and found to comply with the limits for a Class B digital device, pursuant to Part 15 of the FCC Rules. These limits are designed to provide reasonable protection against harmful interference in a residential installation. This equipment generates, uses, and can radiate radio frequency energy and, if not installed and used in accordance with the instructions, may cause harmful interference to radio communications. However, there is no guarantee that interference will not occur in a particular installation. If this equipment does cause harmful interference to radio or television reception, which can be determined by turning the equipment off and on, the user is encouraged to try to correct the interference by one or more of the following measures:

- Reorient or relocate the receiving antenna.
- Increase the separation between the equipment and receiver.
- Connect the equipment into an outlet on a circuit different from that to which the receiver is connected.
- Consult an IBM authorized dealer or service representative for help.

Properly shielded and grounded cables and connectors must be used in order to meet FCC emission limits. Proper cables and connectors are available from IBM authorized dealers. IBM is not responsible for any radio or television interference caused by using other than recommended cables and connectors or by unauthorized changes or modifications to this equipment. Unauthorized changes or modifications could void the user's authority to operate the equipment.

This device complies with Part 15 of the FCC Rules. Operation is subject to the following two conditions: (1) this device may not cause harmful interference, and (2) this device must accept any interference received, including interference that may cause undesired operation.

## Product Warranties and Notices

### *Canadian Department of Communications Compliance Statement*

This equipment does not exceed Class B limits per radio noise emissions for digital apparatus, set out in the Radio Interference Regulation of the Canadian Department of Communications.

### *Avis de conformité aux normes du ministère des Communications du Canada*

Cet équipement ne dépasse pas les limites de Classe B d'émission de bruits radioélectriques pour les appareils numériques, telles que prescrites par le Règlement sur le brouillage radioélectrique établi par le ministère des Communications du Canada.

### *European Community Directive Conformance Statement*

This product is in conformity with the protection requirements of EC Council Directive 89/336/EEC on the approximation of the laws of the Member States relating to electro-magnetic compatibility.

A declaration of Conformity with the requirements of the Directive has been signed by IBM United Kingdom Limited, PO BOX 30 Spango Valley Greenock Scotland PA160AH.

This product satisfies the Class B limits of EN 55022.

## Telecommunication Notice

### Federal Communications Commission (FCC) and Telephone Company Requirements (Part 68 of the FCC Rules)

1. The Telephone Consumer Protection Act of 1991 makes it unlawful for any person to use a computer or other electronic device to send any message via a telephone fax machine unless such message clearly contains in a margin at the top or bottom of each transmitted page or on the first page of the transmission, the date and time it is sent and an identification of the business or other entity, or other individual sending the message and the telephone number of the sending machine or such business, other entity, or individual.

In order to program this information into your computer, you should be sure to follow the installation instructions for your fax software package.

2. The built-in modem is built into the ThinkPad computer. It complies with Part 68 of the FCC Rules. A label is affixed to the bottom of the computer that contains, among other things, the FCC registration number, USOC, and Ringer Equivalency Number (REN) for this equipment. If these numbers are requested, look at the label and provide this information to your telephone company.
3. The REN is useful to determine the quantity of devices you may connect to your telephone line and still have those devices ring when your number is called. In most, but not all, areas, the sum of the RENs of all devices should not exceed five (5.0). To be certain of the number of devices you may connect to your line, as determined by the REN, you should call your local telephone company to determine the maximum REN for your calling area.
4. If the built-in modem causes harm to the telephone network, the telephone company may discontinue your service temporarily. If possible, they will notify you in advance. But, if advance notice isn't practical, you will be notified as soon as possible. You will be advised of your right to file a complaint with the FCC.

## Product Warranties and Notices

5. Your telephone company may make changes in its facilities, equipment, operations, or procedures that could affect the proper operation of your equipment. If they do, you will be given advance notice so as to give you an opportunity to maintain uninterrupted service.
6. If you experience trouble with this built-in modem, contact your IBM Authorized Seller, or the IBM Corporation, 500 Columbus Avenue, Thornwood, NY 10594, 1-800-772-2227, for repair/warranty information. The telephone company may ask you to disconnect this equipment from the network until the problem has been corrected, or until you are sure the equipment is not malfunctioning.
7. No customer repairs are possible to the modem. If you experience trouble with this equipment, contact your Authorized Seller or the IBM Corporation for information.
8. The modem may not be used on coin service provided by the telephone company. Connection to party lines is subject to state tariffs. Contact your state public utility commission or corporation commission for information.
9. When ordering network interface (NI) service from the Local Exchange Carrier, specify service arrangement USOC RJ11C.



## Glossary

---

This glossary includes terms and definitions from the *IBM Dictionary of Computing* (New York: McGraw-Hill, 1994).

**ac.** Alternating current.

**ac power.** Power that is supplied to the computer through an electrical outlet.

**ANSI.** American National Standards Institute.

**application program.** A program that performs specific tasks on your computer, such as word processing or creating spreadsheets.

**Advanced Power Management (APM).** A facility consisting of one or more layers of software that support power management in computers with power manageable hardware. The APM software interface allows applications, operating systems, device drivers, and the APM BIOS to work together to reduce power consumption, without reducing system performance.

**ASCII.** American National Standard Code for Information Interchange.

**ATA PC Card.** A PC Card with an AT attachment hard disk drive interface such as a storage device PC Card.

**AUTOEXEC.BAT.** A file that contains a startup procedure of DOS. Each time you start your system, DOS performs the commands that are stored in this file.

**backup copy.** A copy, usually of a file or group of files, that is kept in case the original file or files are unintentionally changed or destroyed.

**batch.** A process method in which a program or programs records with little or no operator action.

**BIOS (Basic Input/Output System).**

Microcode that contains such basic hardware operations as interactions with diskette drives, hard disk drives, and the keyboard.

**bitmap graphics.** (1) A form of graphics in which all points on the display are directly addressable. (2) In multimedia applications, a form of graphics in an area of computer memory or storage that can be displayed as an image.

**boot.** To prepare a computer system for operation by loading an operating system.

**bps.** Bits per second. In serial transmission, the instantaneous bit speed with which a device or channel transmits a character.

**bus.** A facility for transferring data between several devices located between two end points, only one device being able to transmit at a given moment.

**cache memory.** A special memory, smaller and faster than main memory, that is used to hold a copy of instructions and data in main memory that are likely to be needed next by the processor, and that have been obtained automatically from main memory.

**CD-I.** Compact disc-interactive.

**combination keys.** Keys that have specific functions when you hold them down at the same time.

**configuration.** (1) The manner in which the hardware and software of an information processing system are organized and interconnected. (2) The physical and logical arrangement of devices and programs that make up a data processing system. (3) The devices and programs that make up a system, subsystem, or network.

## Glossary

**CONFIG.SYS.** A file that contains a group of commands to load installable device drivers and reserve space in system memory for information processing. This file is referred to by DOS during system startup.

**CRT.** Cathode ray tube display.

**device driver.** A file that contains the code needed to attach and use a device. Operating system loads device drivers for screens, keyboards, printers, diskette drives, hard disk drives, and auxiliary devices. The user can replace these or add other devices by coding and loading a device driver.

**DIMM.** Dual inline memory module.

**directory.** A type of file containing the names and controlling information for other files or other directories.

**DMA.** Direct memory access. The transfer of data between memory and input/output units without processor intervention.

**double-click.** To press and release a mouse button twice within a time frame defined by the user, without moving the pointer off the choice.

**DSP.** Digital signal processor.

**EGA.** Enhanced graphics adapter.

**EIA.** Electronics Industries Association.

**EIA-232D.** An EIA interface standard that defines the physical, electronic, and functional characteristics of an interface line that connects a communication device and associated workstation. It uses a 25-pin connector and an unbalanced line voltage.

**EMS.** Expanded memory specification.

**fax.** (1) Facsimile machine. (2) A transmitted document from a facsimile machine.

**fixed disk.** In personal computing, *fixed disk* is synonymous with *hard disk*.

**flash memory.** Electrically rewritable storage.

**folder.** A file used to store and organize documents.

**fuel gauge.** An indicator on the screen that constantly shows the current power status of the battery pack.

**HHR.** Half-horizontal resolution.

**hibernation.** One of the power-saving methods that stores data and applications running in the computer's memory on the hard disk. During hibernation, the computer is automatically turned off to save power. When power is turned on again, the computer immediately restores the same data and applications as when hibernation started, without restarting the operating system.

**high-resolution mode.** Video resolutions that are greater than 640 by 480 pels.

**icon.** A graphic symbol, displayed on a screen, that a user can point to with a pointing device such as a TrackPoint III or mouse to select a particular function or software application.

**IR.** Infrared.

**ISA.** Industry standard architecture.

**ISO.** International Organization for Standardization.

**JEIDA.** Japan Electronics Industry Development Association.

**kilobyte (KB).** 1024 bytes.

## Glossary

**LAN.** Local area network.

**MCI.** Media Control Interface

**megabyte (MB).** 1024 kilobytes. About 1 million bytes.

**memory.** Often referred to as random-access memory (RAM), measured in kilobytes (KB) or megabytes (MB) of information.

**MHz.** Megahertz.

**microcode.** One or more microinstructions used in a product as an alternative to hard-wired circuitry to implement functions of a processor or other system component.

**MIDI.** Musical Instrument Digital Interface.

**modem.** A device that connects your computer to a telephone line, allowing it to communicate with another computer at another location.

**MPEG.** Moving Pictures Experts Group

**parallel port.** A port used to attach such devices as dot-matrix printers and input/output units; it transmits data 1 byte at a time.

**partial suspend mode.** A kind of suspend mode where only a part of the system components uses power.

**password.** A series of letters or numbers that you designate to restrict access to your computer.

**PC Card.** A card that is based on the PCMCIA standard.

**PCMCIA.** Personal Computer Memory Card International Association.

**pel.** Picture element.

**picture element.** In computer graphics, the smallest element of a display surface that can be independently assigned color and intensity.

**pixel.** Picture element.

**pointing device.** An instrument, such as a mouse, TrackPoint III, or joystick, that is used to move a pointer on the screen.

**POST.** Power-on self-test.

**pop-up menu.** On the display screen, a menu that emerges in an upward direction from a particular point or line on a display screen.

**prompt.** A visual or audible message sent by a program to request the user's response.

**pull-down menu.** On the display screen, a menu that emerges in a downward direction from a point or line at or near the top of the screen.

**reboot.** Restart all operations of the computer as if the power were just turned on.

**resume.** To begin computer operations again from suspend mode.

**ROM.** Read-only memory.

**serial port.** A port used to attach such devices as display devices, letter-quality printers, modems, plotters, and such pointing devices as light pens and mice; it transmits data 1 bit at a time.

**suspend.** Stops all operations of the computer to reduce power drain and restrict access to the files.

**SVGA.** Super video graphics adapter.

**TFT.** Thin film transistor.

## Index

**TSRs.** Terminate-and-stay-resident programs, memory-resident programs that are loaded into memory and stay there so you can conveniently access them whenever you need to.

**vertical expansion.** A video display technique in character-display mode to fit video images on the whole LCD screen

by adjusting the number of character dots vertically.

**VESA.** Video Electronics Standards Association.

**VGA.** Video graphics adapter, a video mode that produces up to 640-by-480 resolution.

**XMS.** Extended memory specification.

## A

- AC Adapter 23
  - cable, wrapping 24
  - voltage 23
- advanced power management, Windows 198
- APM 97
- AT bus 282
- ATA Card Mount Utility 65
- attaching
  - Dock I or II 175
  - expansion unit 175
  - external display 170
  - external keyboard 169
  - external numeric keypad 167
  - mouse 167
- audio
  - Mwave, using 71
- audio features
  - additional information 267
  - problems 230
- Auto Configurator Utility 249

## B

- battery pack 24
  - charging 84
  - discharging
    - cancelling, for OS/2 and Windows 95
    - for OS/2 and Windows 95
  - fuel-gauge program, using 92
  - installing, secondary battery pack 152
  - lamp 20
  - LCD indicator 21
  - location 19
  - low-battery condition 90
  - maximizing battery-powered operation 96
  - monitoring battery power
    - battery status indicator, using 88
    - fuel-gauge program, using 92
  - operating time 24

- battery pack (*continued*)
  - preserving battery-pack life 96
  - problems 224
  - replacing the battery pack 86
- boot, selectable 49
- brightness control
  - location 17
- broken keylock 222
- bus, system 281

## C

- caps lock indicator 22
- car battery adapter 25
- carrying the computer 34
- CD-ROM drive 19
- CD-ROM emergency eject 19
- changing password
  - hard disk password 118
  - power-on password 113
  - supervisor password 122
- charging, battery pack 84
  - devices
    - quick charger 85
- click buttons (TrackPoint III)
  - using 26
- Config menu
  - Easy-Setup 45
- connector door 19
- considerations
  - hibernation 107
  - PC Card 103
  - suspend mode 103
- control power 57

## D

- date and time
  - Easy-Setup 46
  - prompt 37
- device driver
  - infrared device driver
    - for OS/2, installing 188
    - for Windows, installing 207
  - Mwave DSP support software
    - for DOS, installing 195

## Index

- device driver (*continued*)
  - Mwave DSP support software (*continued*)
    - for OS/2, installing 186
    - for Windows, installing 205
  - PCMCIA device driver
    - for DOS, installing 193, 203
    - for OS/2, installing 185
  - video features diskette
    - for OS/2, installing 190
    - for Windows, installing 208
- DIMM 142
- DIMM adapter 142
- diskette drive 19
  - bezel
    - removing 159
  - in use, indicator 21
  - installing other options 159
  - problems 225
- diskette standards 286
- display 30
  - LCD
    - PS2 command 275
    - switching to 52
  - problems 30
  - SVGA
    - installing, for Windows 198
  - switching, using Fn key 52
  - using 30
- Dock I or II
  - attaching 175
  - speaker volume control, using Fn key 52
- DOS Version 7.0 or later
  - hibernation file, creating 106
  - installing 191
    - Mwave DSP support software 195
    - PC Card Director 193
    - PCMCIA device driver 193
    - ThinkPad features 192
  - starting PC Card Director 67
  - ThinkPad features, starting 42
- drive-startup sequence 49
- DSP
  - DSP (*continued*)
    - See Mwave DSP function
- E**
  - Easy-Setup
    - Config menu 45
    - date and time menu 46
    - main menu 44
    - password menu 46
    - restart menu 48
    - start up menu 47
    - test menu 47
    - using 44
  - error codes 217
  - Ethernet RPL speed 50
  - expansion unit
    - attaching 175
    - speaker volume control, using Fn key 52
  - external devices
    - consideration, in suspend mode 103
    - Dock I or II 175
    - external display 170
    - external keyboard 169
    - external numeric keypad 167
    - external unit 175
    - modem/fax port 163
    - mouse 167
  - external display
    - attaching 170
    - color depth, changing 173
    - display driver
      - for OS/2, installing 190
      - for Windows, installing 208
    - display driver, setting 172
    - problems 30
    - screen resolution, changing 173
    - using 30
  - external keyboard
    - attaching 169
  - external numeric keypad
    - attaching 167
  - external-diskette-drive connector 19
  - external-display connector 19

external-input-device connector 17  
ezplay command, for DOS 67

**F**

features 281  
Fn key  
    function 51  
    location 17  
Fn Key Lock Fn key 51  
fuel-gauge program  
    Fn key function, using 51  
    monitoring battery status 92  
    using 92

**H**

hard disk drive 19  
    hibernation mode, in 105  
    in use, indicator 21  
    installing, secondary hard disk 156  
    replacing 149  
    securing, with password 115  
    several hard disk drives,  
        using 125  
hard disk password  
    changing 118  
    prompt 37  
    removing 119  
    setting 116  
    using 115  
        with power-on password 115  
        with supervisor password 120  
    wrong hard disk password,  
        entering 117  
hardware conflicts 243  
hardware features 16—19  
hardware specifications 283  
headphone jack 19  
heat output, machine specifications 283  
HelpClub  
    for Europe 240  
    for U.S.A. 238  
Helpware  
    for Europe 240

Helpware (*continued*)

    for U.S.A. 238  
hibernation  
    considerations 107  
    creating hibernation file 105  
        for DOS 106  
        for OS/2 and Windows 105  
    file, creating 105  
    PS2 command 280  
    using 105  
    using Fn key function 52  
humidity, machine specifications 283

**I**

identification numbers, recording 237  
indicator panel 20  
information notices  
    caution notices vii  
    danger notices vii  
    notes vii  
    warning notices vii  
infrared features  
    device driver  
        for OS/2, installing 188  
        for Windows, installing 207  
    using 68  
infrared port  
    location 17, 19  
    problems 227  
initialize  
    Easy-Setup 45  
input voltage 283  
installing  
    DIMM 142  
    hard disk drive 149  
    modem/fax port 163  
    PC Card 139  
    secondary battery pack 152  
    secondary hard disk 156  
    software 178  
internal devices  
    in UltraBay 159

## Index

### K

- Kensington lock
  - keyhole 17
  - using 131
- keyboard
  - location 17
  - release latch 17
  - specifications 281
- keyboard/mouse connector 169

### L

- lamp 20
- launcher, program 60
- LCD
  - location 17
  - problems 30, 219
- lithium ion battery pack 24
- locations
  - external input-device connector 6
  - external-display connector 6
  - headphone jack 6
  - infrared ports 6
  - locking device keyhole 6
  - memory slot 6
  - microphone/line-in jack 6
  - modem/fax port 6
  - parallel connector 6
  - PCMCIA slot 6
  - serial connector 6
  - system expansion connector 6
- lock
  - Kensington lock 131
  - PC Card lock 133
- low-battery condition 90

### M

- maximizing battery power
  - decreasing LCD brightness 99
  - using Advanced Power Management 97
  - using power management 99
- memory
  - memory (*continued*)
    - Easy-Setup 45
    - increasing capacity 142
    - specifications 281
  - memory area 63
  - memory module (DIMM) 142
  - memory slot
    - cover 19
    - location 19
  - messages on screen 221
  - microphone (built-in) 17
  - microphone/line-in jack 19
  - microprocessor
    - specifications 281
  - MIDI
    - overview 268
  - MIDI, playing sequencer files 77
  - MIDI/Joystick port
    - location 19
  - modem
    - PC Card
      - installing 139
      - removing 141
    - problems 230
  - modem/fax port 19
    - installing 163
    - location 19
    - release latch 19
  - mouse
    - attaching 167
    - using with
      - Space Saver Keyboard 168
      - TrackPoint III 167
  - Mwave DSP function
    - additional information 267
    - MIDI mapper 268
    - MIDI synthesizer 268
    - problems 230
    - support software
      - for DOS, installing 195
      - for OS/2, installing 186
      - for Windows, installing 205
    - using 71
  - Mwave DSP support software
    - installing, for DOS 195



Mwave DSP support software (*continued*)  
 installing, for OS/2 186  
 installing, for Windows 205

## N

notices and warranties, product 287  
 numeric keypad 29  
 numeric lock indicator 21

## O

online book 32  
 operating systems  
   installing  
     DOS Version 7.0 or later 191  
     OS/2 Warp Version 3 or later 180, 181  
     Windows Version 3.11 or later 197, 198  
 option cover  
   location 19  
   removing 159  
 options  
   DIMM  
     installing 142  
     removing 142  
   diskette drive  
     problems 225  
   Dock I or II  
     attaching 175  
   expansion unit  
     attaching 175  
   external display  
     attaching 170  
     problems 226  
   external keyboard, attaching 169  
   external numeric keypad  
     attaching 167  
     problems 229  
   hard disk drive, replacing 149  
   in UltraBay 159  
   keyboard  
     problems 229  
   modem/fax port  
     installing 163

options (*continued*)

mouse  
   attaching 167  
 PC Card (PCMCIA Card)  
   inserting 139  
   problems 233  
   removing 141  
   using 53  
 pointing device  
   problems 229  
 printer  
   problems 234  
 problems 232  
 secondary battery pack,  
   installing 152  
 secondary hard disk drive,  
   installing 156  
 OS/2 Warp Version 3 or later 181  
 Auto Configurator Utility 249  
 hibernation file, creating 105  
 installing  
   display driver 190  
   infrared device driver 188  
   Mwave DSP support software 186  
   PC Card Director 185  
   PCMCIA device driver 185  
   ThinkPad features 184  
 PCMCIA storage card device  
   driver 258  
 ThinkPad features, starting 39

## P

palm rest 17  
 parallel connector 19  
 part numbers, power cords 284  
 password 46  
   Easy-Setup 46  
   hard disk password  
     changing 118  
     power-on password, using  
       with 115  
     removing 119  
     setting 116  
     using 115

## Index

- password (*continued*)
  - hard disk password (*continued*)
    - wrong, entering 117
  - personalization feature, using with 127
  - power-on password
    - changing 113
    - hard disk password, using with 115
    - removing 114
    - setting 110
    - using 110
    - wrong, entering 112
  - supervisor password
    - changing 122
    - hard disk password, using with 120
    - removing 124
    - setting 121
    - several hard disk drives, using 125
    - using 120
    - wrong, entering 122
- PC Card 193
  - ATA Card Mount Utility 65
  - Auto Configurator Utility 249
  - changing registered order 251
  - changing resource information 252
  - eject button 17
  - for advanced use 249
  - installing 139
  - not registering a card 250
  - power, setting 59
  - registered list 62
  - registering a card 250
  - registration and standard rules
    - for DOS and Windows 256
  - registration and standard rules, CONFIG.SYS
    - for OS/2 254
  - remote program load 246
  - removing 141
  - resource conflicts, avoiding 265
  - resources, checking 263
  - securing 133
- PC Card (*continued*)
  - slot 17
  - software considerations
    - under suspend 53
  - suspend mode, using with 103
  - system boot up 246
  - using 53
- PC Card Director
  - installing, for DOS 193
  - installing, for OS/2 185
  - installing, for Windows 203
  - using 54
- PCMCIA card
  - See PC Card
- PCMCIA device driver
  - for DOS, installing 193
  - for OS/2, installing 185
  - for Windows, installing 203
- PCMCIA slot
  - location 17
- personalization feature 127
- pointing device 167
- power
  - for the PC Card 59
- power cords 284
- power jack
  - location 19
- power management
  - using 99
- power mode
  - switching, using Fn key 52
- power shutdown switch 19
- power switch 19
- power-on lamp 20
- power-on password
  - changing 113
  - hard disk password, using with 115
  - prompt 37
  - removing 114
  - setting 110
  - using 110
  - wrong power-on password, entering 112
- power, setting 59
- preserving battery pack life 96

- printer
    - consideration, in suspend mode 103
  - problems
    - battery pack 224
    - common 211
    - diskette drive 225
    - error codes 217
    - external display 31, 226
    - external numeric keypad 229
    - general 222
    - hibernation, entering 227
    - infrared communication 227
    - keyboard 229
    - LCD 31, 219
    - messages on screen 221
    - modem 230
    - Mwave DSP function 230
    - options 232
    - PC Card 233
    - pointing device 229
    - printer 234
    - software 235
    - test cannot find problem 224
    - testing the computer 215
    - TrackPoint III 229
    - troubleshooting charts 217
      - battery pack 224
      - diskette drive 225
      - external display 226
      - external numeric keypad 229
      - keyboard 229
      - LCD problems 219
      - messages on screen 221
      - options 232
      - pointing device 229
      - printer 234
      - software 227, 235
  - PS2 commands 273
    - address of DSP 278
    - automatic power saving timer
      - hibernation 277
    - automatic power-saving timer 276
      - suspend 277
    - beep on/off 277
    - default 274
  - PS2 commands (*continued*)
    - discharge 274
    - DMA information 278
    - DOCK 274
    - expansion, horizontal/vertical 277
    - frequency, external display 277
    - hard disk drive, power saving 274
    - HFILE 275
    - hibernate from suspend 276
    - hibernation, entering 280
    - HTIMER 275
    - HVEXP by Fn+F8 278
    - internal modem, power for 278
    - interrupt level information 278
    - keyboard typematic speed 279
    - LCD power-off 275
    - low battery
      - hibernation, entering 275
      - suspend, entering 275
    - PCMCIA slot, power 274
    - power mode 276
    - power switch, hibernate 275
    - power to serial port 279
    - presentation 279
    - processor speed rate 276
    - resume date and time 276
    - resuming by the ring indicator 276
    - serial port 276
    - speaker balance, expansion unit 278
    - speaker indicator on/off 277
    - speaker volume, expansion unit 278
    - standby mode, timer 277
    - startup screen 279
    - suspend mode, entering 274, 280
    - TrackPoint III 279
- R**
- rear door 19
  - record of identification numbers 237
  - release latch
    - locations 17
  - removable
    - CD-ROM drive 19
    - diskette drive 19

## Index

- removable (*continued*)
  - hard disk drive 19
- removing
  - battery pack 86
  - bezel 159
  - DIMM 142
  - hard disk drive 149
  - hard disk password 119
  - modem/fax port 163
  - option cover 159
  - PC Card 141
  - PC Card lock 135
  - power-on password 114
  - supervisor password 124
- repair services
  - getting service 236
  - HelpClub 238, 240
  - identification numbers 237
- restart menu
  - Easy-Setup 48
- RPL (remote program load) 49
- S**
- safety notices
- screen expansion 31
- screen messages
  - date and time prompt 37
  - F1 and diskette prompts 37
  - hard disk password prompt 37
  - power-on password prompt 37
  - power-on self test (POST) error 37
- scroll lock indicator 22
- security
  - Kensington lock 131
  - password, security with
    - hard disk password 115
    - power-on password 110
    - supervisor password 120
  - PC Card 133
  - personalization feature 127
- security lock
  - See Kensington lock
- serial connector
  - location 19
- serial device
  - consideration, in suspend mode 103
- serial number 19, 237
- service
  - HelpClub 238, 240
  - how to get 236
  - installed options 237
- set memory area 57
- set status notice 57
- setting password
  - hard disk password 116
  - power-on password 110
  - supervisor password 121
- shipped items 4
- size, machine specifications 283
- software
  - needed 178
  - problems 235
- speaker (built-in)
  - location 17
- speaker indicator 21
- specifications
  - battery pack 284
  - heat output 283
  - humidity, environment 283
  - input voltage 283
  - size 283
  - temperature, environment 283
  - weight 283
- standards, diskette 286
- standby mode
  - Fn key function, using 51
  - using 101
- start up menu
  - Easy-Setup 47
- start up, changing 49
- starting the computer 37
- storage card device driver 258
- storage, machine specifications 281
- supervisor password
  - changing 122
  - hard disk password, using with 120
  - removing 124
  - setting 121
  - several hard disk drives, using 125

- supervisor password (*continued*)
    - using 120
    - wrong, entering 122
  - suspend mode
    - considerations 103
    - Fn key function, using 51
    - PS2 command 280
    - using 101
  - suspend-mode lamp 20
  - SVGA
    - setting 170
  - system bus, machine specifications 281
  - system-expansion connector
    - location 19
  - system-status indicators 20
    - battery lamp 20
    - battery status 21
    - caps lock 22
    - diskette drive in use 21
    - hard disk in use 21
    - numeric lock 21
    - power on 20
    - scroll lock 22
    - speaker 21
    - suspend mode lamp 20
  - systemboard
    - Easy-Setup 45
- T**
- telephony
    - using 71
  - temperature, machine
    - specifications 283
  - test menu
    - Easy-Setup 47
  - testing the computer 215
  - ThinkPad audio features
    - audio and its use 74
  - ThinkPad features
    - installing 184, 192
      - DOS Version 7.0 or later 192
      - OS/2 Warp Version 3 or later 184
      - Windows Version 3.11 or later 202
  - ThinkPad features (*continued*)
    - personalization utilities menu 38
    - PS2 commands 273
    - starting 39
      - for DOS 42
      - for OS/2 and Windows 39
    - ThinkPad view 40
    - token-ring RPL speed 50
    - TrackPoint III
      - cleaning 28
      - location 17
      - using 26
    - troubleshooting charts 217
- U**
- UltraBay
    - battery pack, installing 152
    - hard disk, installing 156
    - location 17
    - options, installing 159
  - UMB, setting 63
- V**
- video features diskette
    - installing
      - for OS/2 190
      - Windows 208
  - video in/out ports
    - location 19
  - view card list 57
  - view card services resources 57
  - volume control
    - location 17
- W**
- warranties and notices, product 287
  - weight, machine specifications 283
  - Windows
    - Auto Configurator Utility 249
    - Windows Version 3.11 or later
      - hibernation file, creating 105
      - installing 198
      - display driver 208

## Index

Windows Version 3.11 or later  
(*continued*)  
installing (*continued*)  
    infrared device driver 207  
    Mwave DSP support  
        software 205  
    PC Card Director 203  
    PCMCIA device driver 203  
    ThinkPad features 202  
ThinkPad features, starting 39